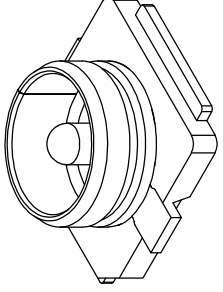
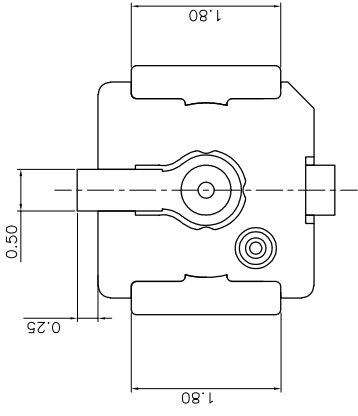
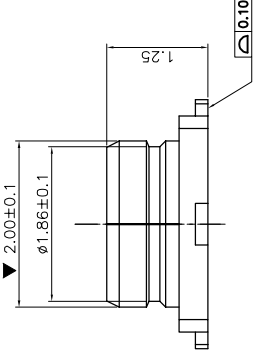
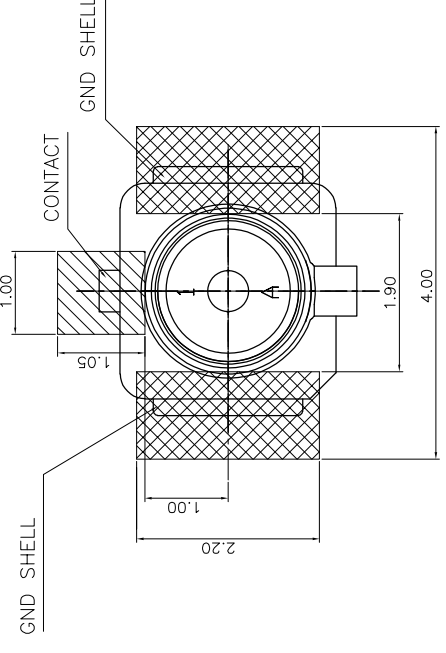
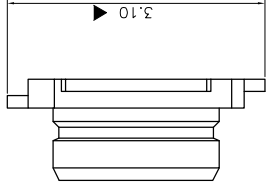
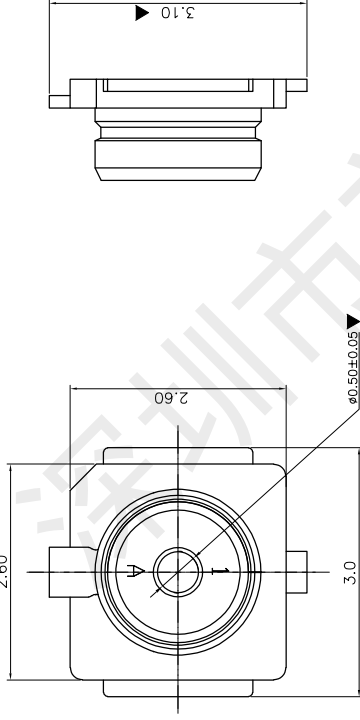
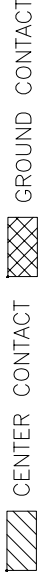


A4	1	2	3	4	5	6	7	8
A	B	C	D	E				

REV	ECN NO	DESCRIPTION	DATE	APPD
B		取消塑胶底面凹槽特征	2020.09.14	罗孝金
C		修改颜色备注, 符合实物, 由原黑色改为白色	2021.06.15	罗孝金
D		备注中增加技术参数规格	2022.03.17	罗孝金



RECOMMENDED PCB LAYOUT  
(TOLERANCE:  $\pm 0.05$ )



NOTE:

- △ 1. HOUSING MATERIAL: THERMOPLASTIC, WHITE, UL 94V-0;  
CONTACT MATERIAL: COPPER ALLOY;  
GOLD PLATED: CONTACT AREA & SOLDER AREA  
SHELL MATERIAL: COPPER ALLOY;  
GOLD PLATED: CONTACT AREA&SOLDER AREA
- 2. PERFORMANCE:
  - 2.1. CONTACT RESISTANCE: 20mOHM Max.
  - 2.2. DIELECTRIC WITHSTANDING VOLTAGE: 100V AC FOR 1MINUTE;
  - 2.3. INSULATION RESISTANCE: 500MOHM Min.
- 3. COPLANARITY: 0.1mm Max.
- 4. APPLIED TO IR SOLDERING PROCESS.
- 5. DIMENSIONS MARKED ▼ AS THE FOCUS CONTROL SIZE

- △ 6. Technology Parameters  
Voltage Rating: 60VAC(R.M.S)  
Frequency Range: DC~6GHz  
Nominal Characteristic Impedance: 50Ω±30  
Operating Temperature Range: -40°C~+90°C  
Operating Humidity: 95%R.H.MAX

EXTEND USE		UNIT	mm
RF1 BOARD CONN			
GENERAL TOLERANCE	Ⓢ		
DIMENSION	/		
0.	±3.0°		
.0	±0.15		
.00	±0.10		
.000	±1.0°		

RF1 BOARD CONN		MATERIAL	APPD	名称
RF1 BOARD CONN			罗孝金	天线座
GENERAL TOLERANCE	Ⓢ			
DIMENSION	/			
0.	±3.0°			
.0	±0.15			
.00	±0.10			
.000	±1.0°			



APPD	名称	天线座
罗孝金	2022.3.17	
CHD	钟华华	2022.3.17
DRN	李春风	2022.3.17

型号	PEX1-TXZ	142
1/1	SCALE	1:1
1/1	SHEET	REV
1/1	SCALE	1:1



深圳市首韩科技有限公司

SHENZHEN SHOUHAN TECHNOLOGY CO., LTD

Tel: 0755-27597601 Fax: 0755-27597491

# 承 认 书

## SPECIFICATION FOR APPROVAL

客 户 Customer:

\_\_\_\_\_

产品名称 Project:

天线座

\_\_\_\_\_

规格型号 Part No:


IPEX1-TXZ 142

\_\_\_\_\_

### 贵公司承认印 Approval signatures

料 号/Part No.	签 章/Signatures

日期 Date:

拟制/Drawn	李春风	
审核/Check	钟华华	
批准/Approved	罗孝金	

 <b>深圳市首韩科技有限公司</b>		Doc. No:
Rev: A	RF Receptacle Connector Spec	Drafter: ELLI
Date: 2022.3.17		Approved: ELLI

## 1. Scope

### 1.1 Content

This specification covers performance, tests and quality requirements for the RF receptacle Connector

### 1.2 Qualification

When tests are performed on the subject product line, procedures specified in Figure 1 shall be used. All pections shall be performed using the applicable inspection plan and product drawing.

## 2. Applicable Documents

The following documents form a part of this specification to the extent specified herein. Unless otherwise specified, the latest edition of the document applies. In the event of conflict between the requirements of this specification and the product drawing, the product drawing shall take precedence. In the event of conflict between the requirements of this specification and the referenced documents, this specification shall take precedence.

### 2.1 Industry Standard

EIA-364: Electrical Connector/Socket Test Procedures Including Environmental Classifications

## 3. Requirements

### 3.1. Design and Construction

Product shall be of the design, construction and physical dimensions specified on the applicable product drawing.

### 3.2. Applicable cable

#### 1) Description

Inner conductor:AWG#30,Silver plating annealed copper wire or silver plating tin-copper alloy.

Outer conductor:nominal diameter 1.13mm,tin plating annealed copper wire.

### 3.3. Ratings

Voltage: 60V AC,DC.

Temperature: -40°C to 90°C

### 3.4. Performance and Test Description

Product is designed to meet the electrical, mechanical and environmental performance requirements specified in Figure 1. Unless otherwise specified, all tests shall be performed at ambient environmental conditions per MIL-STD.



### 3.5. Test Requirements and Procedures Summary

Test Description	Requirement	Procedure
examination of product.	Meets requirements of product drawing.	visual inspection, No physical damage

#### ELECTRICAL

Contact Resistance.	Inner contact Initial:: 20mΩ Max. After test:25mΩ Max. Ground contact: Initial:10 mΩ Max. After testing:15mΩ Max.	Subject mated contacts assembled in housing to 20mV Max open circuit at 10mA Max. MIL-STD-202,method 307.
Dielectric withstanding Voltage	No flashover or insulation breakdown. Current leakage :0.5mAmax	200V AC for 1 minute Test between adjacent circuits of unmated connector. MIL-STD-202,method 301.
Insulation resistance	Initial:500 M Ohm Min. After testing: 100M Ohm.	Test voltage 100V DC. Test between adjacent circuits of unmated connector. MIL-STD-202,method 302.
VSWR	Measure the as shown in Fig.1 by the network analyzer	Plug: 0.1~3GHZ1.3Max. 3~6 GHZ1.5Max Receptacle 0.1~3GHZ1.3Max. 3~6 GHZ1.4Max



Rev: A

RF Receptacle Connector Spec

Drafter: ELLI

Date: 2022.3.17

Approved: ELIILi

Unmating force	<p>Total unmating force Initial:5N Min. After 30cycles:3N Min. Unmating force of inner contact: Initial:0.15N Min. After 30cycler: 0.10N Min.</p>	Operation Speed: 25.4 mm/min.
Durability	See contact Resistance specification	<p>Operation Speed: 25.4 mm/min. Durability Cycles: 30 Cycles</p>
Crimp strength	25N Min.	<p>Pull the cable as shown in Fig.2 at a speed 25mm/minutes by tensile strength machine</p>
Contact resistance with force on the cable	<p>Apply force on the cable as shown in Fig.3. During the testing,run 100mA DC to check electrical discontinuity.</p>	<p>Appearance Looseness between the parts, Chipping,breakage or other abnormality shall not occur Electrical discontinuity grater than 1 micro-sec.shall occur Contact resistance see it's specification.</p>
Vibration	No electrical discontinuity greater than 1µsec shall occur.	<p>Subject mated connectors to10-100-10 Hz traversed in 15 minutes. at single amplitude 1.5 mm, 2 hrs for 3 Directions 5 cycles about each direction</p>



Rev: A

RF Receptacle Connector Spec

Drafter: ELLI

Date: 2022.3.17

Approved: ELLI

Shock	No electrical discontinuity greater than 1µsec shall occur.	Accelerate Velocity:735m/S <sup>2</sup> Wave form: Half-sine shock plus Duration:11msec Wave form:half sinusoidal 6 mutually perpendicular direction 3 cycles about each direction
-------	---	---

ENVIRONMENTAL

Thermal Shock	1.Contact Resistance: See contact resistance specification 2.Withstanding Voltage No flash over or breakdown 3.Insulation Resistance: See insulation Resistance specification	Temperature: -40℃ (30 minutes)~+90℃ (30 minutes) Time: 5 cycles
Temperature life.	1.Withstanding Voltage No flash over or breakdown 2.Contact Resistance: See contact resistance specification	90℃ , 96 hours
Humidity	1.Contact Resistance: See contact resistance specification 2.Withstanding Voltage No flash over or breakdown 3.Insulation Resistance: See insulation Resistance specification	Temperature: 40℃ Humidity:90~95%RH Period:96hrs MIL-STD-202, method 103 condition B

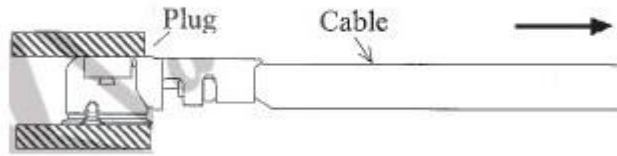


Fig. 2

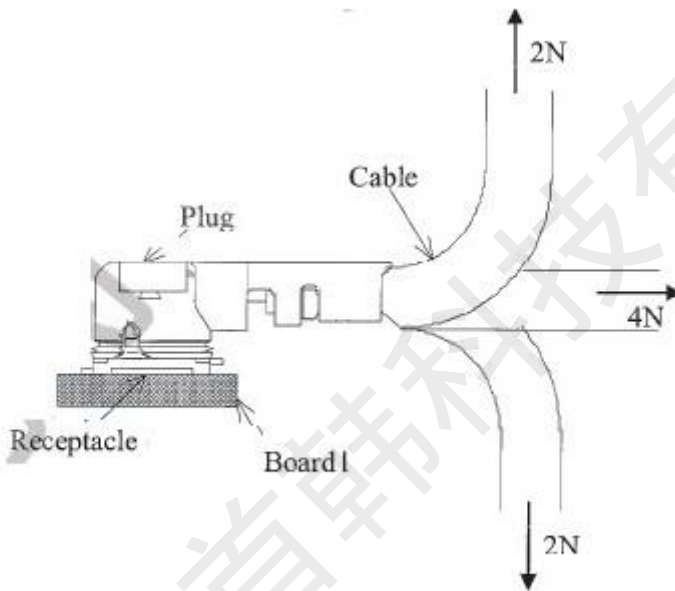


Fig. 3

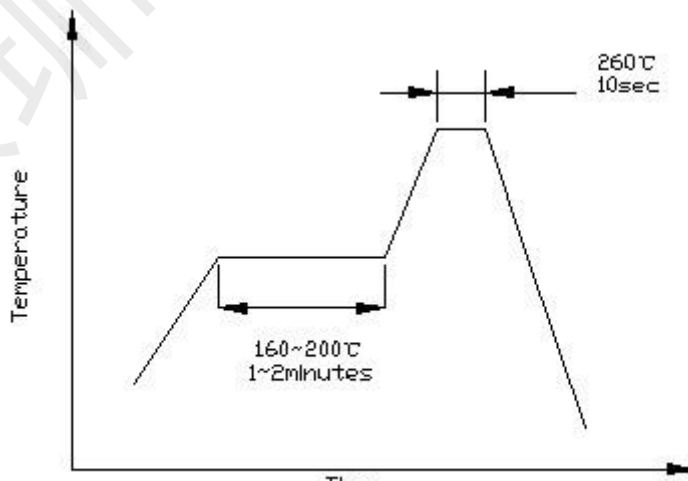


Fig.4

### 3.6 Product Qualification and Requalification Test Sequence





## X-ON Electronics

Largest Supplier of Electrical and Electronic Components

*Click to view similar products for [RF Connectors](#) / [Coaxial Connectors](#) category:*

*Click to view products by [SHOU](#) manufacturer:*

Other Similar products are found below :

[8915-1511-000](#) [89674-0827](#) [6002-7051-003](#) [6059674-1](#) [619550-1](#) [630059-000](#) [M39012/25-3026](#) [M39030/3-01N](#) [6501-1071-002](#) [6769](#)  
[7002-1541-010](#) [7002-1572-002](#) [7003-1542-011](#) [7004-1512-000](#) [7009-1511-004](#) [7010-1511-000](#) [7101-1541-010](#) [7101-1571-002](#) [7105-1521-](#)  
[002](#) [7203-1571-003](#) [7209-1511-011](#) [7210-1511-015](#) [7210-1511-040](#) [7242-1511-000](#) [73216-2241](#) [73404-2300](#) [7405-1521-005](#) [7405-1521-](#)  
[802](#) [7406-1521-005](#) [8527](#) [8547](#) [FS11V](#) [877931](#) [8808-1511-001](#) [9074-9513-000](#) [910A205F](#) [PL40-36](#) [PL71-9](#) [980-8666-005](#) [1200690078](#) [1-](#)  
[201144-1](#) [120919](#) [R107003010W](#) [R110A172100](#) [R112186000](#) [R113053000W](#) [R113081000](#) [R113151000](#) [R113153000](#) [R113182000W](#)