



## 21V, 2A Synchronous Step-Down DC/DC Converter

### Description

The SD8910G is a synchronous step-down DC/DC converter with fast constant on time (FCOT) mode control. The device provides 4.5V to 21V input voltage range and 2A continuous load current capability. It is constant on time pulse width modulation (PWM) controller that supports FCOT mode control. Operation frequency depends on Input and output voltage condition.

The SD8910G fault protection includes cycle-by-cycle current limit, short circuit protection, UVLO and thermal shutdown. The soft-start function prevents inrush current at turn-on. The SD8910G use fast constant on time control that provides fast transient response, the noise immunity and all kinds of very low ESR output capacitor for ensuring performance stabilization.

The SD8910G is offered in SOT-23-6 package, which provides good thermal conductance.

### Features

- Low  $R_{DS(ON)}$  Integrated Power MOSFET (145mΩ/90mΩ)
- Wide Input Voltage Range: 4.5V to 21V
- Output Voltage Range: 0.6V to 8V
- 2A Output Current
- FCOT Mode Enables Fast Transient Response
- Pseudo 850kHz Frequency
- Input Under Voltage Lockout
- Internal 1.5ms Soft-Start
- Cycle-by-Cycle Current Limit
- Hiccup Short Circuit Protection
- Over Temperature Protection with Auto Recovery
- SOT-23-6 Package

### Applications

- STB (Set-Top-Box)
- LCD Display, TV
- Distributed Power System
- Networking, XDSL Modem

### Pin Assignments

S6 Package (SOT-23-6)

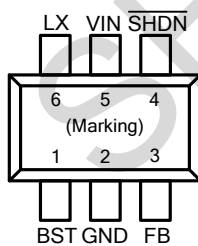


Figure 1. Pin Assignments of SD8910G

### Ordering Information

SD8910G  Package Type  
S6: SOT-23-6

#### SOT-23-6 Marking

Part Number	Product Code
SD8910GS6CTR	GE8***



### Typical Application Circuit

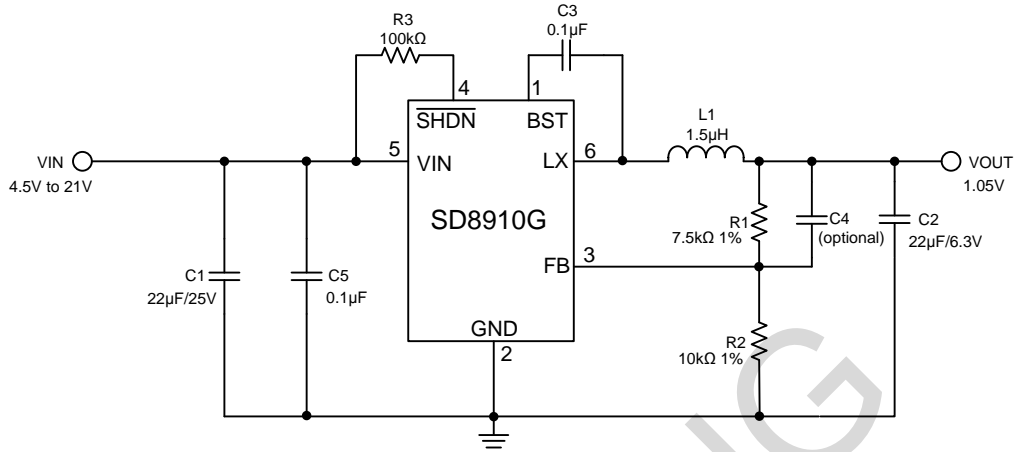


Figure 2. SD8910G Application Circuit

$V_{IN}=12V$ , the recommended BOM list is as below.

$V_{OUT}$	C1	R1	R2	C4	L1	C2
1.05V	22μF MLCC	7.5kΩ	10kΩ	5pF~220pF	1.5μH	22μF MLCC
1.2V	22μF MLCC	10kΩ	10kΩ	5pF~220pF	1.5μH	22μF MLCC
1.8V	22μF MLCC	20kΩ	10kΩ	5pF~220pF	2.2μH	22μF MLCC
2.5V	22μF MLCC	31.6kΩ	10kΩ	5pF~220pF	3.3μH	22μF MLCC
3.3V	22μF MLCC	45.3kΩ	10kΩ	5pF~220pF	4.7μH	22μF MLCC
5V	22μF MLCC	73.2kΩ	10kΩ	5pF~220pF	4.7μH	22μF MLCC

Table 1. Recommended Component Values



### Functional Pin Description

Pin Name	Pin No.	Pin Function
BST	1	High side gate drive boost pin. A capacitor rating between 0.1uF~1uF must be connected from this pin to LX. It can boost the gate drive to fully turn on the internal high side NMOS.
GND	2	Ground pin.
FB	3	Voltage feedback input pin. Connect FB and VOUT with a resistive voltage divider. This IC senses feedback voltage via FB and regulates it at 0.6V.
$\overline{\text{SHDN}}$	4	Enable input pin. Pull high to turn on IC, and pull low to turn off IC. Connect VIN with a 100kΩ resistor for self-startup.
VIN	5	Power supply input pin. Placed input capacitors as close as possible from VIN to GND to avoid noise influence.
LX	6	Power switching node. Connect an external inductor to this switching node.

### Block Diagram

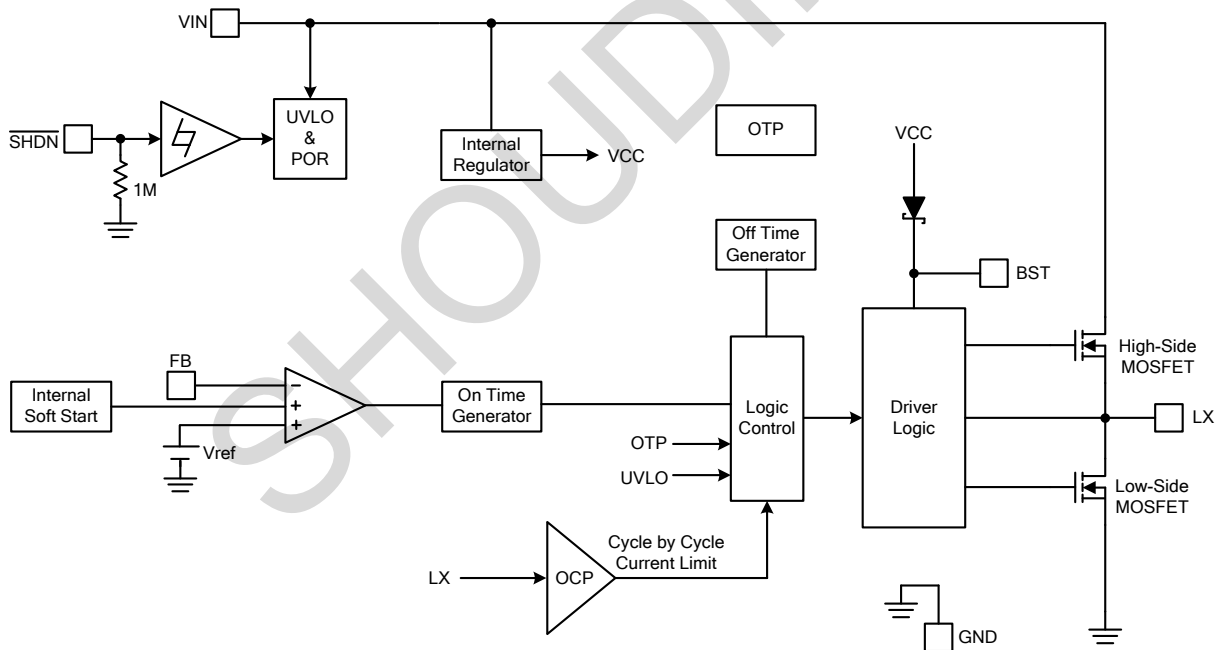


Figure 3. Block Diagram of SD8910G



### Absolute Maximum Ratings <sup>(Note 1)</sup>

- Supply Voltage  $V_{IN}$  ----- -0.3V to +22V
- Enable Voltage  $V_{SHDN}$  ----- -0.3V to +22V
- LX Voltage  $V_{LX}$  ----- -0.3 to  $V_{IN}+0.3V$
- Dynamic LX Voltage in 15ns Duration----- -5V to  $V_{IN}+5V$
- BST Pin Voltage  $V_{BST}$  ----- -0.3V to  $V_{LX}+6.5V$
- All Other Pins Voltage ----- -0.3V to +6V
- Maximum Junction Temperature ( $T_J$ ) ----- +150°C
- Storage Temperature ( $T_S$ ) ----- -65°C to +150°C
- Lead Temperature (Soldering, 10sec.) ----- +260°C
- Package Thermal Resistance, ( $\theta_{JA}$ ) <sup>(Note 2)</sup>
  - SOT-23-6 ----- 250°C/W
- Package Thermal Resistance, ( $\theta_{JC}$ )
  - SOT-23-6 ----- 110°C/W

Note 1: Stresses beyond this listed under “Absolute Maximum Ratings” may cause permanent damage to the device.  
 Note 2:  $\theta_{JA}$  is measured at 25°C ambient with the component mounted on a high effective thermal conductivity 4-layer board of JEDEC-51-7. The thermal resistance greatly varies with layout, copper thickness, number of layers and PCB size.

### Recommended Operating Conditions

- Supply Voltage  $V_{IN}$  ----- +4.5V to +21V
- Operation Temperature Range ----- -40°C to +85°C



**Electrical Characteristics**(V<sub>IN</sub>=12V, T<sub>A</sub>=25°C, unless otherwise specified.)

Parameter	Symbol	Conditions	Min	Typ	Max	Unit
V <sub>IN</sub> Quiescent Current	I <sub>DDQ</sub>	V <sub>SHDN</sub> =2V, V <sub>FB</sub> =1V		0.3		mA
V <sub>IN</sub> Shutdown Supply Current	I <sub>SD</sub>	V <sub>SHDN</sub> =0V		1	10	μA
Feedback Voltage	V <sub>FB</sub>	4.5V ≤ V <sub>IN</sub> ≤ 21V	0.591	0.6	0.609	V
Feedback Input Current	I <sub>FB</sub>	V <sub>FB</sub> =1V		0.01	0.1	μA
High-Side MOSFET R <sub>DS(ON)</sub>	R <sub>DS(ON)</sub>			145		mΩ
Low-Side MOSFET R <sub>DS(ON)</sub>	R <sub>DS(ON)</sub>			90		mΩ
Valley Current Limit <sup>(Note 3)</sup>	I <sub>LIMIT</sub>			3		A
On Time	T <sub>ON</sub>	V <sub>IN</sub> =12V, V <sub>OUT</sub> =1.05V		150		ns
Minimum Off Time	T <sub>OFF(MIN)</sub>	V <sub>FB</sub> =0.4V		180		ns
Input Supply Voltage UVLO Threshold	V <sub>UVLO(Vth)</sub>	V <sub>IN</sub> Rising		4.3		V
UVLO Threshold Hysteresis	V <sub>UVLO(HYS)</sub>			0.35		V
Internal Soft-Start Period <sup>(Note 3)</sup>	T <sub>SS</sub>			1.5		ms
SHDN Input Low Voltage	V <sub>SHDN(L)</sub>				0.5	V
SHDN Input High Voltage	V <sub>SHDN(H)</sub>		1.5			V
SHDN Input Current	I <sub>SHDN</sub>	V <sub>SHDN</sub> =2V		2		μA
Thermal Shutdown Threshold <sup>(Note 3)</sup>	T <sub>SD</sub>			160		°C
Thermal Shutdown Hysteresis <sup>(Note 3)</sup>	T <sub>HYS</sub>			30		°C

Note 3: Not production tested.



## Function Description

The SD8910G is a synchronous step-down DC/DC converter with fast constant on time (FCOT) mode control. It has integrated high-side (145mΩ, typ) and low-side (90mΩ, typ) power switches, and provides 2A continuous load current. It regulates input voltage from 4.5V to 21V, and down to an output voltage as low as 0.6V. Using FCOT control scheme provides fast transient response, which can minimize the component size without additional external compensation network.

### Enable

The SD8910G  $\overline{\text{SHDN}}$  pin provides digital control to turn on/turn off the regulator. When the voltage of  $\overline{\text{SHDN}}$  exceeds the threshold voltage, the regulator starts the soft start function. If the  $\overline{\text{SHDN}}$  pin voltage is below than the shutdown threshold voltage, the regulator will turn into the shutdown mode and the shutdown current will be smaller than 1μA. For auto start-up operation, connect  $\overline{\text{SHDN}}$  to VIN through a 100kΩ resistor.

### Soft Start

The SD8910G employs internal soft start function to reduce input inrush current during start up. The typical value of internal soft start time is 1.5ms.

### Input Under Voltage Lockout

When the SD8910G is power on, the internal circuits are held inactive until  $V_{\text{IN}}$  voltage exceeds the input UVLO threshold voltage. And the regulator will be disabled when  $V_{\text{IN}}$  is below the input UVLO threshold voltage. The hysteric of the UVLO comparator is 350mV (typ).

### Over Current Protection

The SD8910G over current protection function is implemented using cycle-by-cycle current limit architecture. The inductor current is monitored by Low-side MOSFET. When the load current increases, the inductor current also increases. When the valley inductor current reaches the current limit threshold, the output voltage starts to drop. When the over current condition is removed, the output voltage returns to the regulated value.

### Short Circuit Protection

The SD8910G provides short circuit protection function to prevent the device damage from short condition. When the short condition occurs and the feedback voltage drops lower than 0.33V, the oscillator frequency will be reduced naturally and hiccup mode will be triggered to prevent the inductor current increasing beyond the current limit. Once the short condition is removed, the frequency will return to normal.

### Over Temperature Protection

The SD8910G incorporates an over temperature protection circuit to protect itself from overheating. When the junction temperature exceeds the thermal shutdown threshold temperature, the regulator will be shutdown. And the hysteric of the over temperature protection is 30°C (typ).



### Application Information

#### Output Voltage Setting

The output voltage  $V_{OUT}$  is set using a resistive divider from the output to FB. The FB pin regulated voltage is 0.6V. Thus the output voltage equation is:

$$V_{OUT}=0.6V \times \left(1 + \frac{R1}{R2}\right)$$

Table 2 lists recommended values of R1 and R2 for most used output voltage.

**Table 2 Recommended Resistance Values**

$V_{OUT}$	R1	R2
5V	73.2k $\Omega$	10k $\Omega$
3.3V	45.3k $\Omega$	10k $\Omega$
2.5V	31.6k $\Omega$	10k $\Omega$
1.8V	20k $\Omega$	10k $\Omega$
1.2V	10k $\Omega$	10k $\Omega$
1.05V	7.5k $\Omega$	10k $\Omega$

Place resistors R1 and R2 close to FB pin to prevent stray pickup.

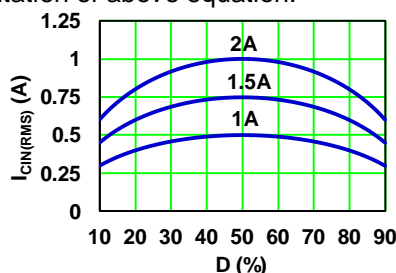
#### Input Capacitor Selection

The use of the input capacitor is filtering the input voltage ripple and the MOSFETS switching spike voltage. Because the input current to the step-down converter is discontinuous, the input capacitor is required to supply the current to the converter to keep the DC input voltage. The capacitor voltage rating should be 1.25 to 1.5 times greater than the maximum input voltage. The input capacitor ripple current RMS value is calculated as:

$$I_{CIN(RMS)}=I_{OUT} \times \sqrt{D \times (1-D)}$$

$$D = \frac{V_{OUT}}{V_{IN}}$$

Where D is the duty cycle of the power MOSFET. This function reaches the maximum value at D=0.5 and the equivalent RMS current is equal to  $I_{OUT}/2$ . The following diagram is the graphical representation of above equation.



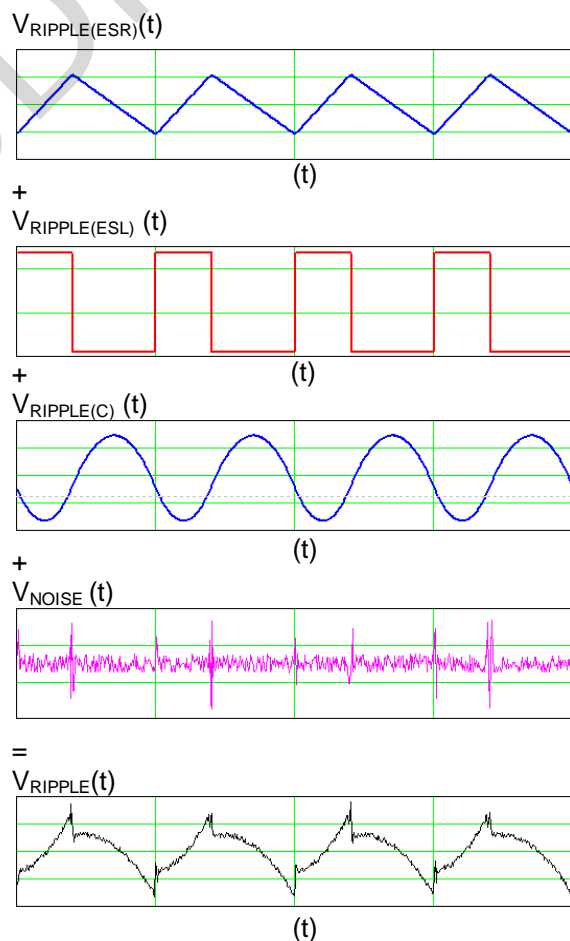
A low ESR capacitor is required to keep the noise minimum. Ceramic capacitors are better, but tantalum or low ESR electrolytic capacitors may also suffice. When using tantalum or electrolytic capacitors, a 0.1 $\mu$ F ceramic capacitor should be placed as close to the IC as possible.

#### Output Capacitor Selection

The output capacitor is used to keep the DC output voltage and supply the load transient current. When operating in constant current mode, the output ripple is determined by four components:

$$V_{RIPPLE}(t) = V_{RIPPLE(C)}(t) + V_{RIPPLE(ESR)}(t) + V_{RIPPLE(ESL)}(t) + V_{NOISE}(t)$$

The following figures show the form of the ripple contributions.





### Application Information (Continued)

$$V_{\text{RIPPLE(ESR)}} = \frac{V_{\text{OUT}}}{F_{\text{OSC}} \times L} \times \left(1 - \frac{V_{\text{OUT}}}{V_{\text{IN}}}\right) \times \text{ESR}$$

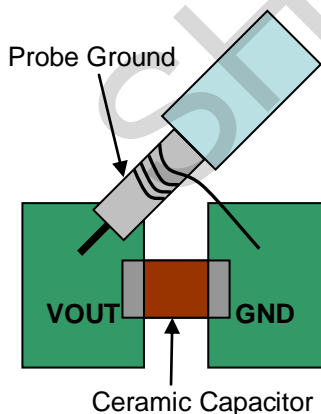
$$V_{\text{RIPPLE(ESL)}} = \frac{\text{ESL}}{L} \times V_{\text{IN}}$$

$$V_{\text{RIPPLE(C)}} = \frac{V_{\text{OUT}}}{8 \times F_{\text{OSC}}^2 \times L \times C_{\text{OUT}}} \times \left(1 - \frac{V_{\text{OUT}}}{V_{\text{IN}}}\right)$$

Where  $F_{\text{OSC}}$  is the switching frequency,  $L$  is the inductance value,  $V_{\text{IN}}$  is the input voltage,  $\text{ESR}$  is the equivalent series resistance value of the output capacitor,  $\text{ESL}$  is the equivalent series inductance value of the output capacitor and the  $C_{\text{OUT}}$  is the output capacitor.

Low ESR capacitors are preferred to use. Ceramic, tantalum or low ESR electrolytic capacitors can be used depending on the output ripple requirement. When using the ceramic capacitors, the ESL component is usually negligible.

It is important to use the proper method to eliminate high frequency noise when measuring the output ripple. The figure shows how to locate the probe across the capacitor when measuring output ripple. Removing the scope probe plastic jacket in order to expose the ground at the tip of the probe. It gives a very short connection from the probe ground to the capacitor and eliminating noise.



### Inductor Selection

The output inductor is used for storing energy and filtering output ripple current. But the trade-off condition often happens between maximum energy storage and the physical size of the inductor. The first consideration for selecting the output inductor is to make sure that the inductance is large enough to keep the converter in the continuous current mode.

That will lower ripple current and result in lower output ripple voltage. The  $\Delta I_L$  is inductor peak-to-peak ripple current:

$$\Delta I_L = \frac{V_{\text{OUT}}}{F_{\text{OSC}} \times L} \times \left(1 - \frac{V_{\text{OUT}}}{V_{\text{IN}}}\right)$$

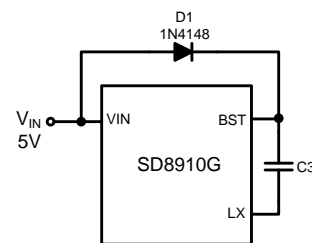
A good compromise value between size and efficiency is to set the peak-to-peak inductor ripple current  $\Delta I_L$  equal to 30% of the maximum load current. But setting the peak-to-peak inductor ripple current  $\Delta I_L$  between 20%~50% of the maximum load current is also acceptable. Then the inductance can be calculated with the following equation:

$$\Delta I_L = 0.3 \times I_{\text{OUT(MAX)}}$$

$$L = \frac{(V_{\text{IN}} - V_{\text{OUT}}) \times V_{\text{OUT}}}{V_{\text{IN}} \times F_{\text{OSC}} \times \Delta I_L}$$

### External Diode Selection

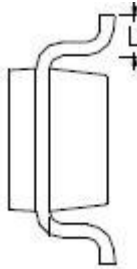
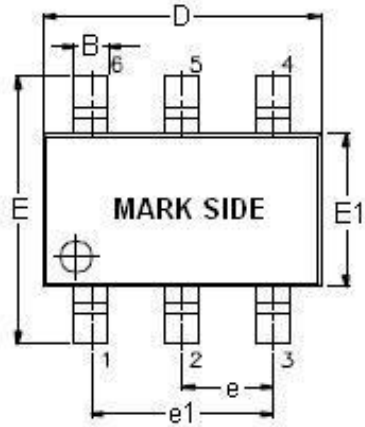
For 5V input applications, it is recommended to add an external boost diode. This helps improving the efficiency. The boost diode can be a low cost one such as 1N4148.





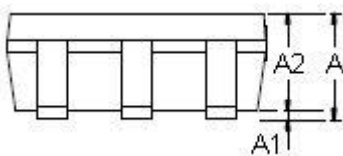
Outline Information

SOT-23-6 Package (Unit: mm)

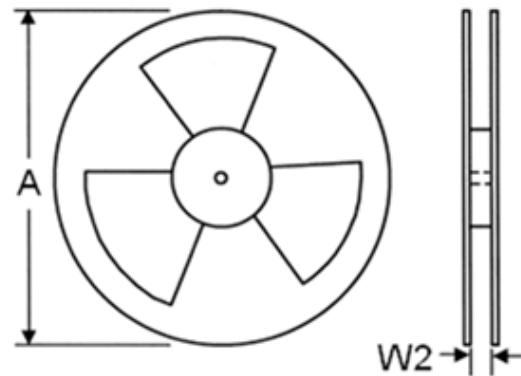
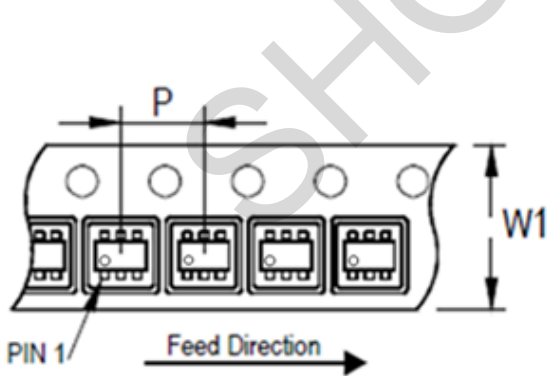


SYMBOLS UNIT	DIMENSION IN MILLIMETER	
	MIN	MAX
A	0.90	1.45
A1	0.00	0.15
A2	0.90	1.30
B	0.30	0.50
D	2.80	3.00
E	2.60	3.00
E1	1.50	1.70
e	0.90	1.00
e1	1.80	2.00
L	0.30	0.60

Note: Followed From JEDEC MO-178-C.



Carrier Dimensions



Tape Size (W1) mm	Pocket Pitch (P) mm	Reel Size (A)		Reel Width (W2) mm	Empty Cavity Length mm	Units per Reel
		in	mm			
8	4	7	180	8.4	300~1000	3,000

Life Support Policy

Shouding's products are not authorized for use as critical components in life support devices or other medical systems.

## X-ON Electronics

Largest Supplier of Electrical and Electronic Components

*Click to view similar products for [Switching Controllers](#) category:*

*Click to view products by [SHOUDING](#) manufacturer:*

Other Similar products are found below :

[LV5065VB-TLM-H](#) [LV5066V-TLM-H](#) [LV5725JAZ-AH](#) [NCP1218AD65R2G](#) [NCP1234AD100R2G](#) [NCP1244BD065R2G](#) [NCP1336ADR2G](#)  
[NCP6153MNTWG](#) [NCP81101BMNTXG](#) [NCP81205MNTXG](#) [SJE6600](#) [AZ7500BMTR-E1](#) [IR35215MTRPBF](#) [SG3845DM](#)  
[NCP4204MNTXG](#) [NCP6132AMNR2G](#) [NCP81102MNTXG](#) [NCP81203MNTXG](#) [NCP81206MNTXG](#) [UBA2051C](#) [IR35201MTRPBF](#)  
[NCP1240AD065R2G](#) [NCP1240FD065R2G](#) [NCP1361BABAYSNT1G](#) [NCP1230P100G](#) [NX2124CSTR](#) [SG2845M](#) [NCP1366BABAYDR2G](#)  
[NCP81101MNTXG](#) [TEA19362T/1J](#) [NCP81174NMNTXG](#) [NCP4308DMTTWG](#) [NCP4308DMNTWG](#) [NCP4308AMTTWG](#)  
[NCP1366AABAYDR2G](#) [NCP1251FSN65T1G](#) [NCP1246BLD065R2G](#) [iW1760B-10](#) [MB39A136PFT-G-BND-ERE1](#) [NCP1256BSN100T1G](#)  
[LV5768V-A-TLM-E](#) [NCP1365BABCYDR2G](#) [NCP1365AABCYDR2G](#) [MCP1633T-E/MG](#) [MCP1633-E/MG](#) [NCV1397ADR2G](#)  
[NCP81599MNTXG](#) [NCP1246ALD065R2G](#) [AZ494AP-E1](#) [NCP1247BD065R2G](#)