

规格书编号

**SPEC NO : HDDB20NSSB11SP00**

# 产品规格书

# SPECIFICATION

CUSTOMER 客户: \_\_\_\_\_

PRODUCT 产品: \_\_\_\_\_ SAW DUPLEXER \_\_\_\_\_

MODEL NO 型号: \_\_\_\_\_ HDDB20NSS-B11 \_\_\_\_\_

MARKING 印字: \_\_\_\_\_ B177 \_\_\_\_\_

PREPARED 编制: \_\_\_\_\_ CHECKED 审核: \_\_\_\_\_

APPROVED 批准: \_\_\_\_\_ DATE 日期: \_\_\_\_\_ 2016-10-15 \_\_\_\_\_

客户确认 CUSTOMER RECEIVED:		
审核 CHECKED	批准 APPROVED	日期 DATE

无锡市好达电子有限公司  
Shoulder Electronics Limited

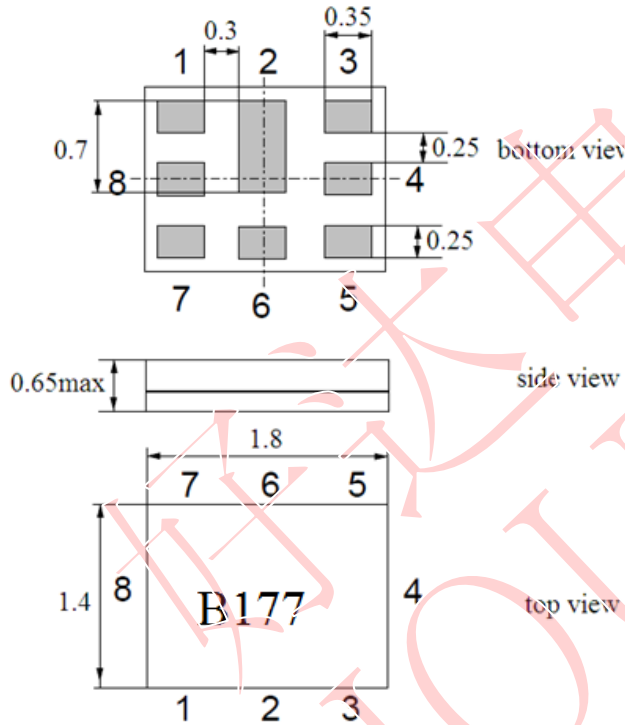
Factory Address: NO. 115, Gaoyun Road, Binhu Economic & Technology Development Area, Wuxi, Jiangsu, China. Tel: 86-510-85629111  
Country of origin: China



**1. Application**

- Low-loss Saw duplexer for LTE Band 20 systems
- Low insertion attenuation and low passband ripple.
- Usable passband 30MHz
- High isolation between Tx and Rx.
- RoHS compatible

**2. DIMENSION (PKG SIZE 1.8 x 1.4 x 0.6mm)**



**Marking: B177**

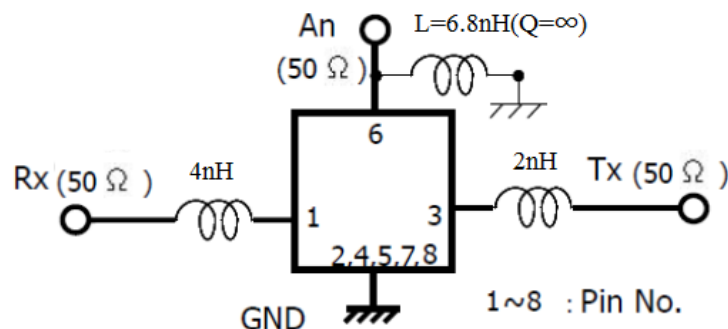
**Pin configuration**

- 3. Tx Input
- 6. Antenna
- 1. Rx Output
- 2,4,5,7,8 To be grounded

**3. Maximum Rating**

Items	Conditions
Operation temperature rang	-30°C ~ +85°C
Storage temperature rang	-40°C ~ +85°C
ESD voltage	ESD(MM) : 50VDC
Sensitive discharge device	ESD(HBM) : 175VDC
DC Voltage VDC	3V (25+/-2 deg.C)
Moisture Sensivity Level	MSL 2

**4. TEST CIRCUIT**



## 5. ELECTRICAL SPECIFICATION

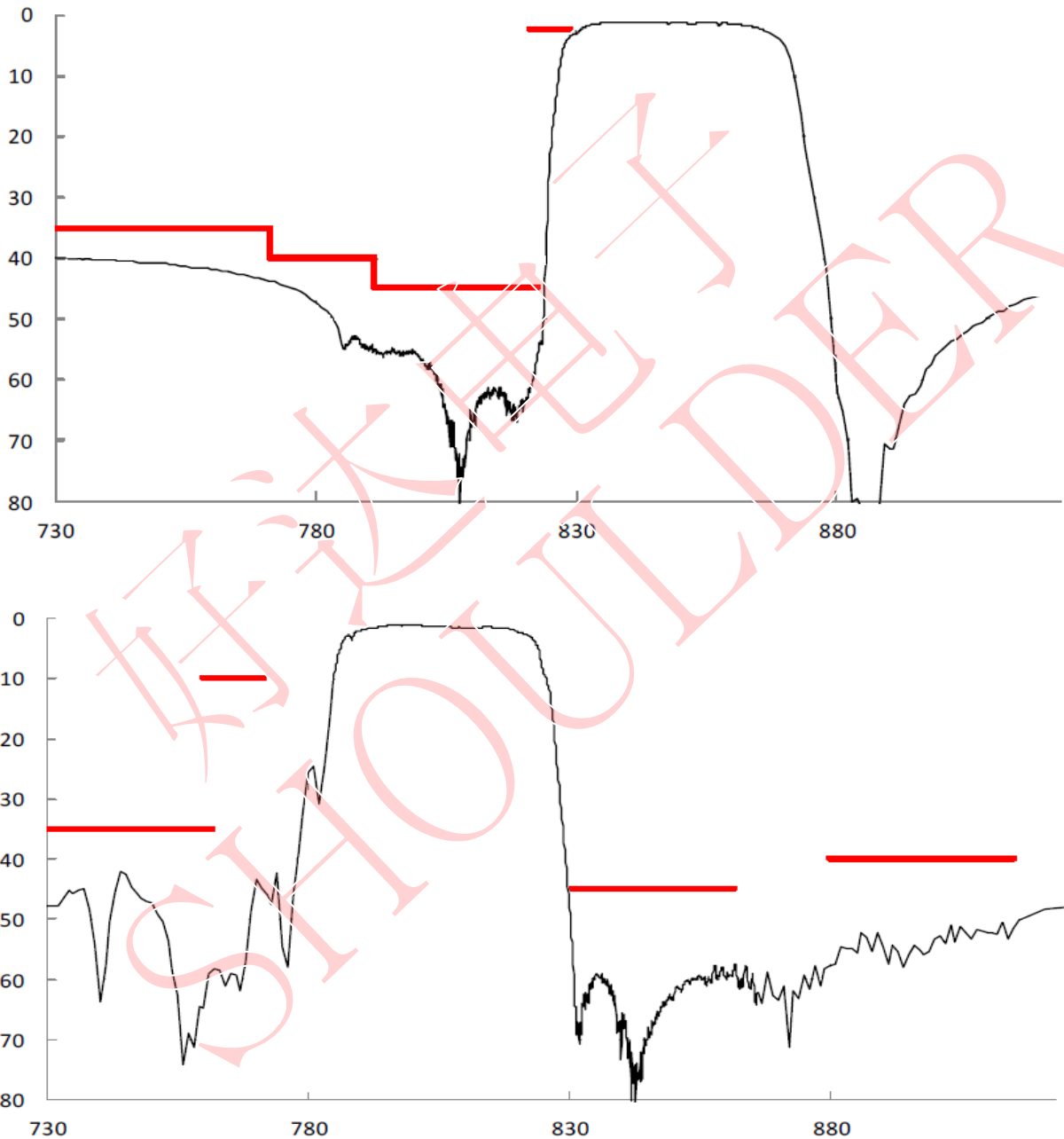
**Table1. Electrical Specification**

Item		Condition (MHz)	Specification			Unit	
			Min	Typ	Max		
TX to ANT	Center frequency		-	847	-	MHz	
	Insertion loss	832.25~861.75	-	2.1	2.8	dB	
	Amplitude ripple	832~862	-	0.8	1.8		
	VSWR	ANT	832~862	-	1.7	2.0	-
		Tx		-	1.6	2.0	-
	Input Power	832~862	+29dBm Ta: +50°C 5000h, CW			-	
	Absolute attenuation	10~771		35	38	-	dB
		771~791		40	45	-	dB
		791.25~820.75		45	50	-	dB
		925~960		38	41	-	dB
		1559~1605		40	46	-	dB
		1664~1724		25	45	-	dB
		1805~1880		30	45	-	dB
		2110~2170		30	45	-	dB
2400~2500			45	55	-	dB	
2496~2586			40	48	-	dB	
ANT to RX	Center frequency		-	806	-	MHz	
	Insertion loss	791.25~820.75	-	2.7	3.8	dB	
	Pass band ripple	791~821	-	1.5	3.0	dB	
	VSWR	ANT	791~821	-	1.7	2.0	-
		Rx		-	1.7	2.0	-
	Absolute attenuation	10~760		35	42	-	dB
		832.25~861.75		45	55	-	dB
		880~915		40	50	-	dB
		1710~1785		40	55	-	dB
		2400~2500		40	55	-	dB
2500~2570			40	55	-	dB	
4900~5950		40	45	-	dB		

**Table2. Electrical Specification**

Item		Condition (MHz)	Specification			Unit	Remarks
			Min	Typ	Max		
TX to RX	Isolation	832.25~861.75	52	56	-	dB	
		791.25~820.75	52	56	-	dB	
Terminating Impedance		Tx port	50Ω+2nH			Ohm	Single-ended
		Rx port	50Ω+4nH			Ohm	Differential
		Ant port	50//6.8nH			Ohm	Single-ended
Operating Temperature			-20 to +85			oC	

**6. Typical frequency response**



**7. ENVIRONMENTAL CHARACTERISTICS**

7.1 High temperature exposure

Subject the device to +85°C for 16 hours. Then release the filter into the room conditions for 24 hours prior to the measurement. It shall fulfill the specifications in 5.

7.2 Low temperature exposure

Subject the device to -40°C for 16 hours. Then release the device into the room conditions for 24 hours prior to the measurement. It shall fulfill the specifications in 5.

7.3 Temperature cycling

Subject the device to a low temperature of -40°C for 30 minutes. Following by a high temperature of +85°C for 30 Minutes. Then release the device into the room conditions for 24 hours prior to the measurement. It shall meet the specifications in 5.

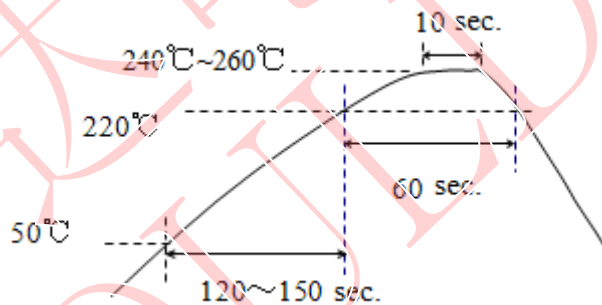
7.4 Resistance to solder heat

- 1、immerge the solder bath at 260°C for 10 sec.
- 2、 the iron at 370°C for 3 sec

7.5 Solderability

Submerge the device terminals into the solder bath at 245°C ±5°C for 5s, More than 95% area of the soldering pad must be covered with new solder. It shall meet the specifications in 5.

7.6 Reflow soldering



The specimen shall be passed through the reflow furnace with the condition shown in the above profile for 1 time.

The specimen shall be stored at standard atmospheric conditions for 1h, after which the measurement shall be made. Test board shall be 1.6 mm thick. Base material shall be glass fabric base epoxy resin.

7.7 Mechanical shock

Drop the device randomly onto the concrete floor from the height of 1m 3 times. the device shall fulfill the specifications in 5.

7.8 Vibration

Subject the device to the vibration for 1 hour each in x,y and z axes with the amplitude of 1.5 mm at 10 to 55 Hz. The device shall fulfill the specifications in 5.

**8. REMARK**

8.1 Static voltage

Static voltage between signal load & ground may cause deterioration & destruction of the component. Please avoid static voltage.

8.2 Ultrasonic cleaning

Ultrasonic vibration may cause deterioration & destruction of the component. Please avoid ultrasonic cleaning

8.3 Soldering

Only pad component may be soldered. Please avoid soldering another part of component.

**9. Packing**

9.1 Dimensions

(1) Carrier Tape: Figure 1

(2) Reel: Figure 2

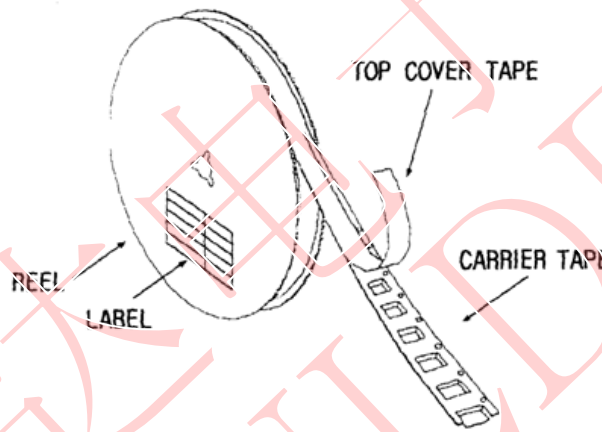
(3) The product shall be packed properly not to be damaged during transportation and storage.

9.2 Reeling Quantity

10000 pcs/reel  $\phi$  259mm

9.3 Taping Structure

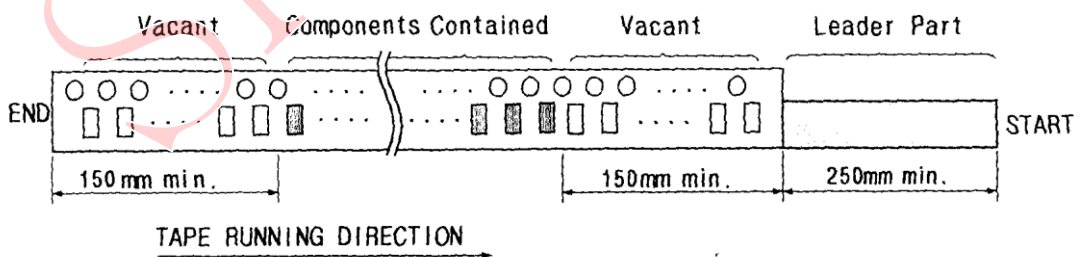
(1) The tape shall be wound around the reel in the direction shown below.



(2) Label

Device Name	
Marking	
User Product Name	
Quantity	
Lot No.	

(3) Leader part and vacant position specifications.

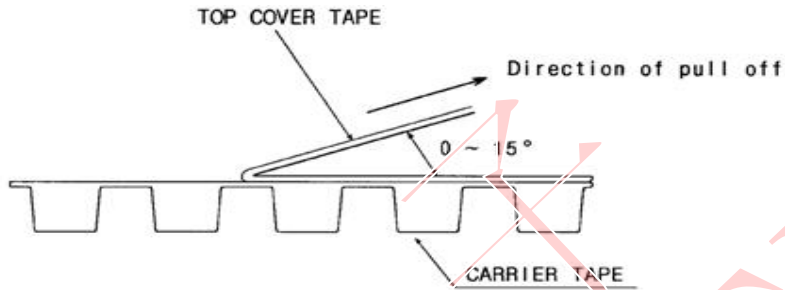


**10. TAPE SPECIFICATIONS**

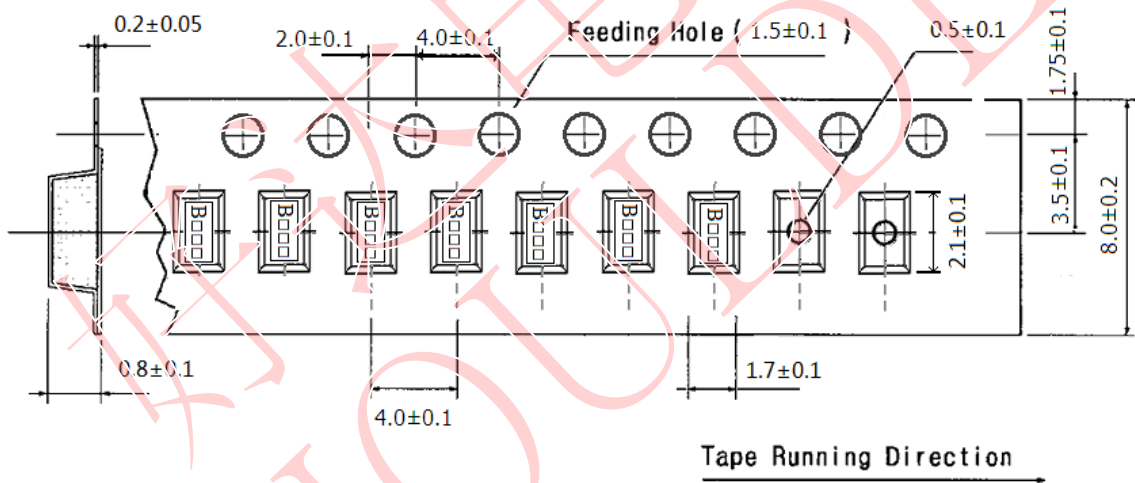
10.1 Tensile Strength of Carrier Tape: 4.4N/mm width

10.2 Top Cover Tape Adhesion (See the below figure)

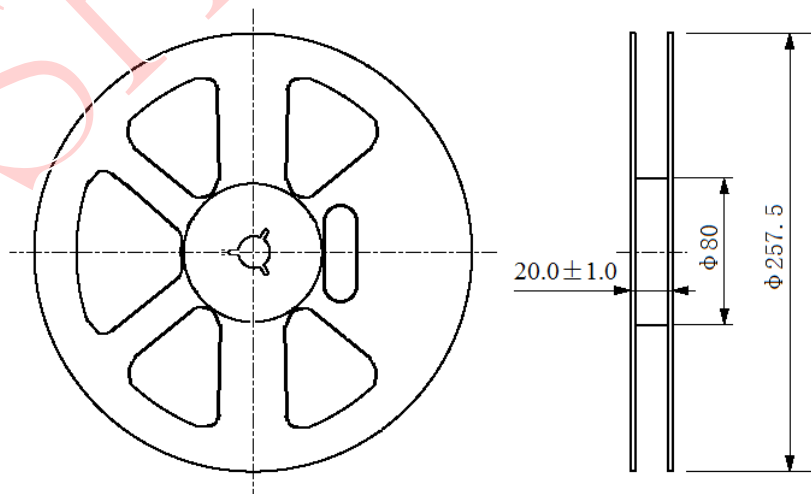
- (1) pull off angle: 0~15°
- (2) speed: 300mm/min.
- (3) force: 20~70g



**[Figure 1] Carrier Tape Dimensions**



**[Figure 2] 10000 pcs/reel φ 257.5mm**



φ 257.5 Reel Dimension

(in mm)



## X-ON Electronics

Largest Supplier of Electrical and Electronic Components

*Click to view similar products for [Signal Conditioning](#) category:*

*Click to view products by [SHOULDER Electronics](#) manufacturer:*

Other Similar products are found below :

[MAPDCC0004](#) [PD0409J5050S2HF](#) [880157](#) [HHS-109-PIN](#) [DC1417J5005AHF](#) [DC4859J5005AHF](#) [AFS14A30-2185.00-T3](#) [AFS14A35-1591.50-T3](#) [DS-323-PIN](#) [DSS-313-PIN](#) [B39321R801H210](#) [B39321R821H210](#) [B39921B4317P810](#) [1A0220-3](#) [2089-6207-00](#) [JP510S](#) [LFB212G45SG8C341](#) [LFB322G45SN1A504](#) [LFL182G45TC3B746](#) [SF2159E](#) [30057](#) [1P510S](#) [CER0813B](#) [3A325](#) [40287](#) [41180](#) [ATB3225-75032NCT](#) [B69842N5807A150](#) [BD0810N50100AHF](#) [BD2326L50200AHF](#) [BD2425J50200AHF](#) [HMC189AMS8TR](#) [C5060J5003AHF](#) [JHS-114-PIN](#) [JP503AS](#) [DC0710J5005AHF](#) [DC2327J5005AHF](#) [DC3338J5005AHF](#) [43020](#) [LFB2H2G60BB1C106](#) [LFL15869MTC1B787](#) [X3C19F1-20S](#) [XC3500P-20S](#) [10013-20](#) [SF2081E](#) [SF2194E](#) [SF2238E](#) [CDBLB455KCAX39-B0](#) [RF1353C](#) [PD0922J5050D2HF](#)