



IQ08, IQ10, IQ12 Inductive proximity sensors

With VISTAL™ housing
for the highest levels of process reliability

Inductive IQ proximity sensors – more robust, powerful and user-friendly

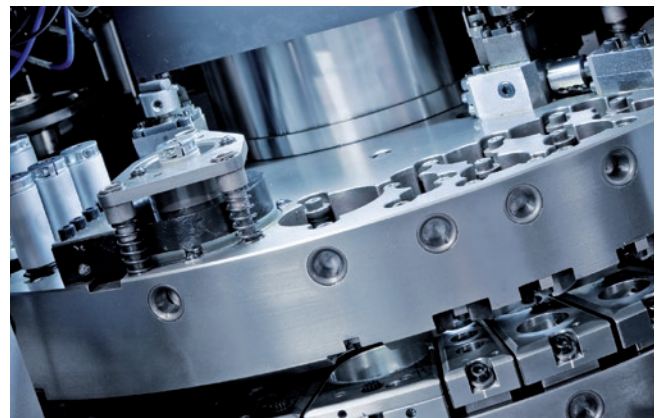
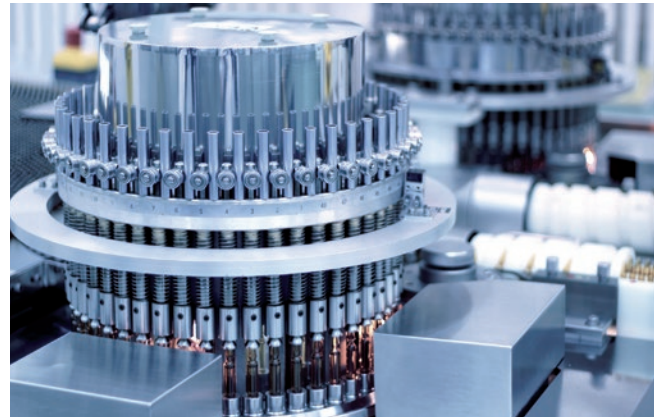
Inductive IQ proximity sensors are more robust, powerful and user-friendly than ever before. More robust because of VISTAL™ housing and hotmelt molding. More powerful because of extended sensing ranges and SICK-ASIC technology. And more user-friendly because of clearly visible 270° status display and secure mounting.

Non-contact detection

Wear and tear free, inductive proximity sensors detect the presence of metal targets. They are ideal for variety of product or machine position and counting applications.

Three designs for variety of applications

The new generation IQ08, IQ10 and IQ12 sensors can carry out tasks for wide variety of applications. This includes high-speed material handling and robot gripper arm applications. It is also ideal for general manufacturing, electronics, solar, chemical and process engineering fields. The IQ family of sensors provides the optimum solution.



Tough because of VISTAL™ housing

VISTAL™ endurance

The ultrasonically welded housing of the new generation of IQ08, IQ10 and IQ12 inductive proximity sensors consist of SICK's own VISTAL™. This glass fiber reinforced plastic is highly durable and also chemically extremely resistant.

Extended service life

With fewer electronic components thanks to the SICK-ASIC technology on the one hand and with IP 68 being a superior IP class on the other, the ultimate "Mount and Forget" sensor is here. Prepared in this way, the new IQ sensors are impressive throughout their long service life because of their reliable detection capability in any application.

Electronics protected with hotmelt molding

The new IQ sensors are filled with hotmelt, a special pliable material, using an innovative process. Due to its outstanding sealing characteristics, hotmelt filling technology protects the sensor's components against shock, vibration and humidity.

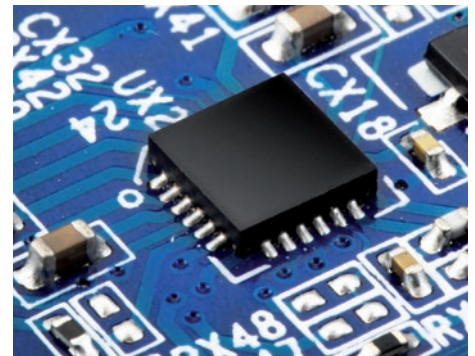


Technologies for greater process reliability

With increased sensing ranges, the new generation of IQ sensors works reliable in all applications. State-of-the-art SICK-ASIC technology makes it possible and also improves the EMC resistance.

SICK-ASIC technology for precision and reliability

SICK's sensors with ASIC technology operate better than other common, discretely assembled sensors on the market. SICK's sensors are digitally calibrated after the manufacturing process has been completed, which virtually eliminates production tolerances. As a result, the sensing distance of SICK's sensors are very well defined, reliable, repeatable and have a longer sensing range than most competitor devices. Also, the ultra-modern ASIC provides a very high level of EMC resistance. The ASIC based circuit provides improvements to EMC resistance by integrating a variety of circuit protection components. This increases the reliability of the sensors – and hence your system as a whole.



Increased sensing range

More sensing range for your process reliability – the new generation of SICK IQ sensors was perfected according to this maxim. With a sensing range of up to 8 mm for non-flush installation, the new SICK IQ12 shows what is technically possible today. The IQ10 and IQ08 sensors also achieve best-in-class performance for reliable detection in every day's applications.

The sensing range of the new IQ generation:

- IQ12: 4 mm, flush / 8 mm, non-flush
- IQ10: 3 mm, flush / 6 mm, non-flush
- IQ08: 2 mm, flush / 4 mm, non-flush



Flexible in connection type and electrical wiring

All of the new generation IQ sensors are available as DC 3-wire. In addition, the IQ10 and IQ12 designs are available as DC 4-wire versions. For connection flexibility, M8 connector and cable versions are available as standard catalog items. On request, we can also provide special versions to optimize the new generation to your application.



Mounting and installation: secure and simple

Secure mounting

Robust housing form the solid basis for secure mounting. The strength of the VISTAL™ housing material is comparable to that of steel. Therefore the IQ sensor housings can withstand a much higher installation and tightening torque than standard plastic sensors. Even the use of expensive sensors with metal housings is unnecessary thanks to VISTAL™.

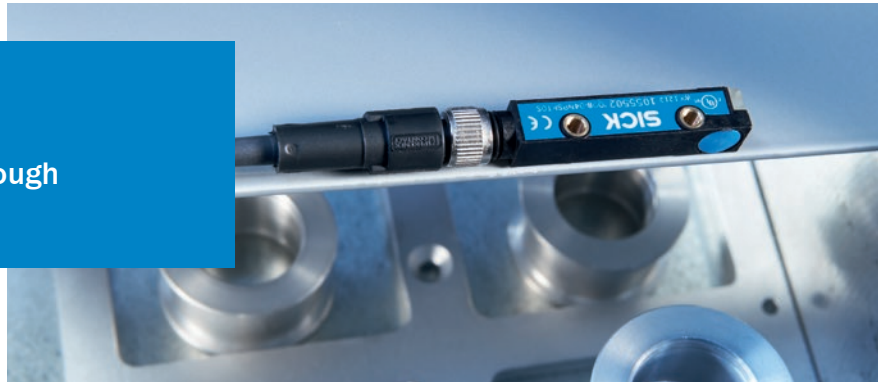


270° status display with extra-bright LED

The bright status LED design enables the output to be viewed from almost any position in the application. This simplifies installation and maintenance procedures. An extra bright LED with a viewing angle of 270° enables fast commissioning, even from a distance.



The space-saving solution in tough VISTAL™ housing



Product description

With slim dimensions of just 8 mm x 8 mm, the rectangular design of the IQ08 inductive proximity sensor offers up to 4 mm in sensing range and provides best performance while taking up the least possible space. Its VISTAL™ housing can withstand the toughest of requirements and is a cost-effective alternative

to an expensive metal housing. State-of-the-art SICK-ASIC technology, innovative hotmelt molding and an output state display that is visible from all angles ensure a simple solution for modern handling and automation tasks, ensuring the highest levels of production reliability.

At a glance

- Tough VISTAL™ housing
- SICK-ASIC technology
- 270° status display with extra-bright LED
- Extended sensing range of up to 4 mm
- Hotmelt molding
- Threaded metal inserts
- IP 68 enclosure rating

Your benefits

- Best mechanical and electronic stability for extra-long service life
- Highest levels of process reliability for your application
- Long service life that reduce maintenance costs thanks to SICK's ASIC technology and rugged VISTAL™ housing
- Precise detection and high sensor accuracy enable fast handling and assembly processes
- Space-saving integration in every application
- Increased levels of protection against shock and vibration reduce maintenance costs
- Quick viewing of sensor status from any position in the room reduces mounting time and commissioning
- Safe, fast mounting without any need for readjustment saves installation time and maintenance costs



Additional information

Detailed technical data 7

Ordering information 8

Dimensional drawings 9

Connection diagram 9

Installation note 10

→ www.mysick.com/en/IQ08
For more information, just enter the link or scan the QR code and get direct access to technical data, CAD design models, operating instructions, software, application examples and much more.



Detailed technical data

Features

Dimensions (W x H x D)	8 mm x 8 mm x 40 mm	
Sensing range S_n	Flush	2 mm
	Non-flush	4 mm
Assured sensing range S_a	Flush	1.62 mm
	Non-flush	3.24 mm
Installation type	Flush / non-flush	
Switching frequency	2,000 Hz	
Output type	PNP / NPN	
Output function	NO / NC	
Electrical wiring	DC 3-wire	
Enclosure rating ¹⁾	IP 67, IP 68	

¹⁾ According to EN60529.

Mechanics/electronics

Supply voltage	10 V DC ... 30 V DC
Ripple ¹⁾	≤ 10 %
Voltage drop ²⁾	≤ 2 V
Current consumption ³⁾	≤ 10 mA
Time delay before availability	≤ 100 ms
Hysteresis	5 % ... 15 %
Repeatability ^{4) 5)}	≤ 2 %
Temperature drift (% of S_r)	± 10 %
EMC	According to EN 60947-5-2
Output current I_a	≤ 200 mA
Connection type	Connector, M8 / Cable, 2 m, PVC, 3 x 0.14 mm ²
Short-circuit protection	✓
Reverse polarity protection	✓
Power-up pulse protection	✓
Shock/vibration	30 g, 11 ms/10 ... 55 Hz, 1 mm
Ambient operating temperature	-25 °C ... +75 °C
Housing material	Plastic, VISTAL™
Sensing face material	Plastic, VISTAL™
Tightening torque, max.	≤ 1.5 Nm

¹⁾ Of V_s .

²⁾ At I_a max.

³⁾ Without load.

⁴⁾ U_b and T_a constant.

⁵⁾ Of S_r .

Reduction factor R_m	The values are reference values which may vary
Stainless steel (V2A, 304)	0.7
Aluminum (Al)	Flush
	Non-flush
Copper (Cu)	Flush
	Non-flush
Brass (Br)	Flush
	Non-flush

Ordering information

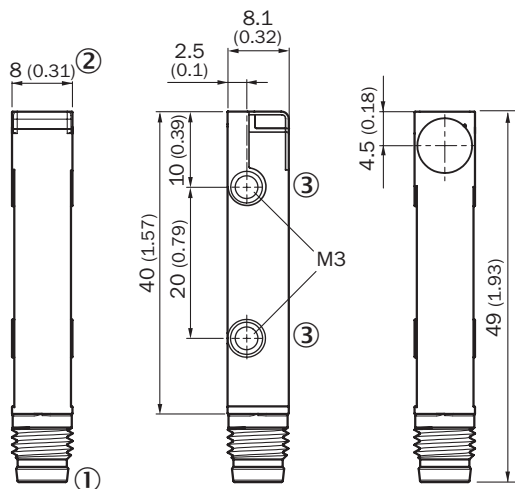
IQ08

Sensing range S_n	Installation type	Output function	Output type	Connection	Connection diagram	Model name	Part no.
2 mm	Flush	NO	PNP	Connector M8, 3-pin	Cd-002	IQ08-02BPSKT0S	1055494
				Cable, 3-wire, 2 m, PVC	Cd-001	IQ08-02BPSKW2S	1055490
		NPN	Connector M8, 3-pin	Cd-002	IQ08-02BNSKT0S	1055496	
			Cable, 3-wire, 2 m, PVC	Cd-001	IQ08-02BNSKW2S	1055492	
		NC	PNP	Connector M8, 3-pin	Cd-004	IQ08-02BPOKT0S	1055495
				Cable, 3-wire, 2 m, PVC	Cd-003	IQ08-02BPOKW2S	1055491
	NPN	Connector M8, 3-pin	Cd-004	IQ08-02BNOKT0S	1055497		
		Cable, 3-wire, 2 m, PVC	Cd-003	IQ08-02BNOKW2S	1055493		
4 mm	Non-flush	NO	PNP	Connector M8, 3-pin	Cd-002	IQ08-04NPSKT0S	1055502
				Cable, 3-wire, 2 m, PVC	Cd-001	IQ08-04NPSKW2S	1055498
		NPN	Connector M8, 3-pin	Cd-002	IQ08-04NNSKT0S	1055504	
			Cable, 3-wire, 2 m, PVC	Cd-001	IQ08-04NNSKW2S	1055500	
		NC	PNP	Connector M8, 3-pin	Cd-004	IQ08-04NPOKT0S	1055503
				Cable, 3-wire, 2 m, PVC	Cd-003	IQ08-04NPOKW2S	1055499
		NPN	Connector M8, 3-pin	Cd-004	IQ08-04NNOKT0S	1055505	
			Cable, 3-wire, 2 m, PVC	Cd-003	IQ08-04NNOKW2S	1055501	

Dimensional drawings

IQ08-xxxxxT0S,

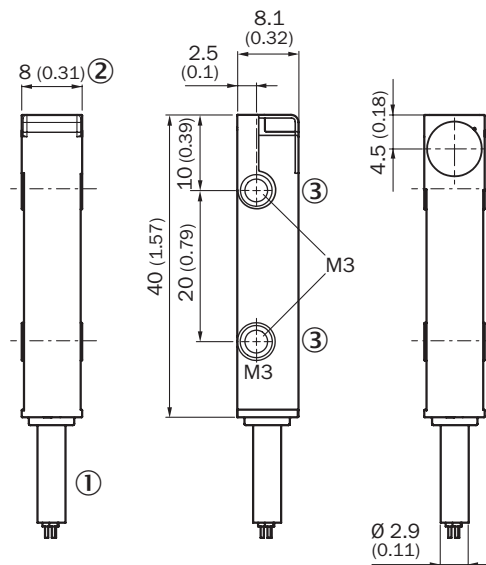
connector



- ① Connection
- ② LED indicator 270°
- ③ Threaded mounting hole M3

IQ08-xxxxxW2S,

cable

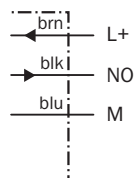


- ① Connection
- ② LED indicator 270°
- ③ Threaded mounting hole M3

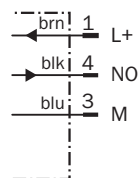
dimensions in mm

Connection diagram

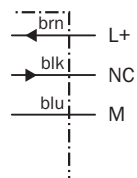
Cd-001



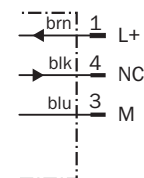
Cd-002



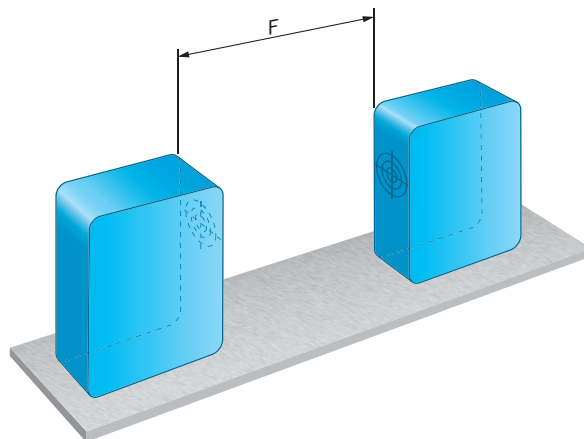
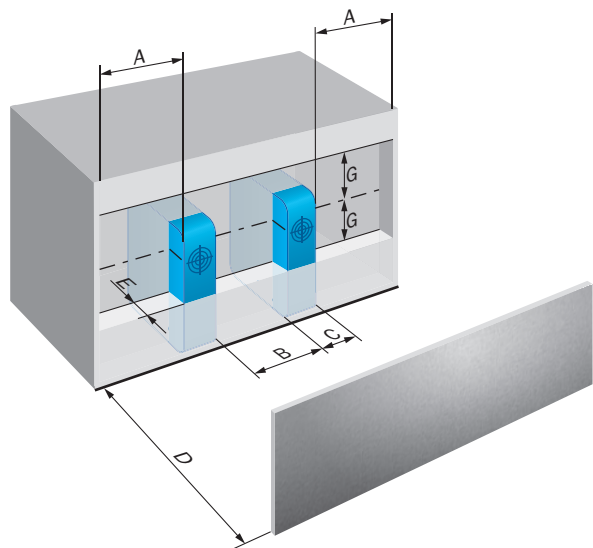
Cd-003



Cd-004

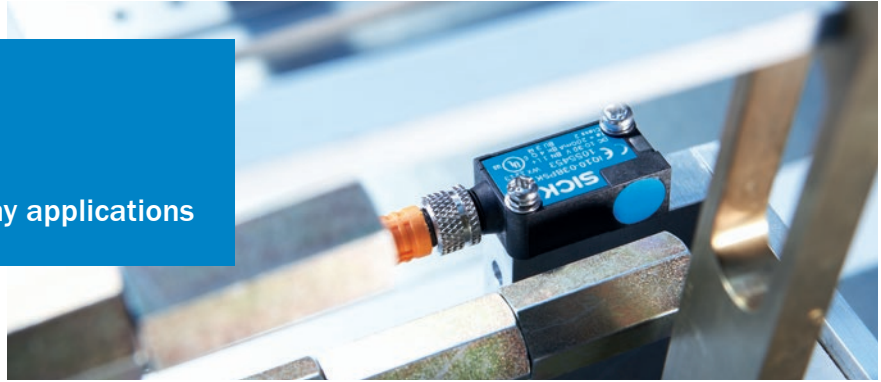


Installation note



	A	B	C	D	E	F	G
IQ08-02Bxxxxxx	0 mm	10 mm	8 mm	6 mm	0 mm	16 mm	0 mm
IQ08-04Nxxxxxx	4 mm	24 mm	8 mm	12 mm	20 mm	32 mm	8 mm

An all around solution for many applications



Product description

The compact IQ10 provides great performance. Thanks to SICK-ASIC technology, the impressive IQ10 rectangular sensor family offers sensing ranges of up to 6 mm, outperforming many larger sensors. Thanks to its small size, simple mounting

and highly visible 270° status display, it is ideal for applications where space is at a premium. With tough VISTAL™ housing, innovative hotmelt molding and an enclosure rating of IP 68, it is also ideal for more demanding applications.

At a glance

- Tough VISTAL™ housing
- SICK-ASIC technology
- 270° status display with extra-bright LED
- Extended sensing range of up to 6 mm
- Hotmelt molding
- Withstands high installation and tightening torque
- IP 68 enclosure rating

Your benefits

- Best mechanical and electronic stability for extra-long service life
- Highest levels of process reliability for your application
- Long service life that reduce maintenance costs thanks to SICK's ASIC technology and rugged VISTAL™ housing
- Precise detection and high sensor accuracy enable fast handling and assembly processes
- Space-saving integration in every application
- Increased levels of protection against shock and vibration reduce maintenance costs
- Quick viewing of sensor status from any position in the room reduces mounting time and commissioning
- Safe, fast mounting without any need for readjustment saves installation time and maintenance costs



Additional information

Detailed technical data 13

Ordering information 14

Dimensional drawings 15

Connection diagram 15

Installation note 16

→ www.mysick.com/en/IQ10
For more information, just enter the link or scan the QR code and get direct access to technical data, CAD design models, operating instructions, software, application examples and much more.



Detailed technical data

Features

	DC 3-wire	DC 4-wire
Dimensions (W x H x D)	10 mm x 16 mm x 28 mm	
Sensing range S_n	Flush	3 mm
	Non-flush	6 mm
Assured sensing range S_a	Flush	2.43 mm
	Non-flush	4.86 mm
Installation type	Flush / non-flush	Flush
Switching frequency	2,000 Hz	
Output type	PNP / NPN	
Output function	NO / NC	Complementary
Electrical wiring	DC 3-wire	DC 4-wire
Enclosure rating ¹⁾	IP 67, IP 68	

¹⁾ According to EN60529.

Mechanics/electronics

	DC 3-wire	DC 4-wire
Supply voltage	10 V DC ... 30 V DC	
Ripple ¹⁾	≤ 10 %	
Voltage drop ²⁾	≤ 2 V	≤ 3 V
Current consumption ³⁾	≤ 10 mA	≤ 20 mA
Time delay before availability	≤ 100 ms	
Hysteresis	5 % ... 15 %	
Repeatability ⁴⁾⁵⁾	≤ 2 %	
Temperature drift (% of S_p)	± 10 %	
EMC	According to EN 60947-5-2	
Output current I_a	≤ 200 mA	
Connection type	Connector, M8 / Cable, 2 m, PVC, 3 x 0.25 mm ²	Cable, 2 m, PVC, 4 x 0.14 mm ² Cable with plug, M12, 0.3 m, PVC
Short-circuit protection	✓	
Reverse polarity protection	✓	
Power-up pulse protection	✓	
Shock/vibration	30 g, 11 ms/10 ... 55 Hz, 1 mm	
Ambient operating temperature	-25 °C ... +75 °C	
Housing material	Plastic, VISTAL™	
Sensing face material	Plastic, VISTAL™	
Tightening torque, max.	≤ 1 Nm	

¹⁾ Of V_s .

²⁾ At I_a max.

³⁾ Without load.

⁴⁾ U_b and T_a constant.

⁵⁾ Of S_r .

	DC 3-wire	DC 4-wire
Reduction factor R_m	The values are reference values which may vary	
Stainless steel (V2A, 304)	0.75	
Aluminum (Al)		
Flush	0.4	
Non-flush	0.5	-
Copper (Cu)	0.35	
Brass (Br)	0.5	

Ordering information

DC 3-wire

Sensing range S_n	Installation type	Output function	Output type	Connection	Connection diagram	Model name	Part no.
3 mm	Flush	NO	PNP	Connector M8, 3-pin	Cd-002	IQ10-03BPSKT0S	1055453
				Cable, 3-wire, 2 m, PVC	Cd-001	IQ10-03BPSKW2S	1055447
			NPN	Connector M8, 3-pin	Cd-002	IQ10-03BNSKT0S	1055455
		Cable, 3-wire, 2 m, PVC		Cd-001	IQ10-03BNSKW2S	1055450	
		NC	PNP	Connector M8, 3-pin	Cd-004	IQ10-03BPOKT0S	1055454
				Cable, 3-wire, 2 m, PVC	Cd-003	IQ10-03BPOKW2S	1055449
NPN	Connector M8, 3-pin		Cd-004	IQ10-03BNOKT0S	1055456		
	Cable, 3-wire, 2 m, PVC	Cd-003	IQ10-03BNOKW2S	1055452			
6 mm	Non-flush	NO	PNP	Connector M8, 3-pin	Cd-002	IQ10-06NPSKT0S	1055461
				Cable, 3-wire, 2 m, PVC	Cd-001	IQ10-06NPSKW2S	1055457
			NPN	Connector M8, 3-pin	Cd-002	IQ10-06NNSKT0S	1055463
		Cable, 3-wire, 2 m, PVC		Cd-001	IQ10-06NNSKW2S	1055459	
		NC	PNP	Connector M8, 3-pin	Cd-004	IQ10-06NPOKT0S	1055462
				Cable, 3-wire, 2 m, PVC	Cd-003	IQ10-06NPOKW2S	1055458
			NPN	Connector M8, 3-pin	Cd-004	IQ10-06NNOKT0S	1055464
		Cable, 3-wire, 2 m, PVC		Cd-003	IQ10-06NNOKW2S	1055460	

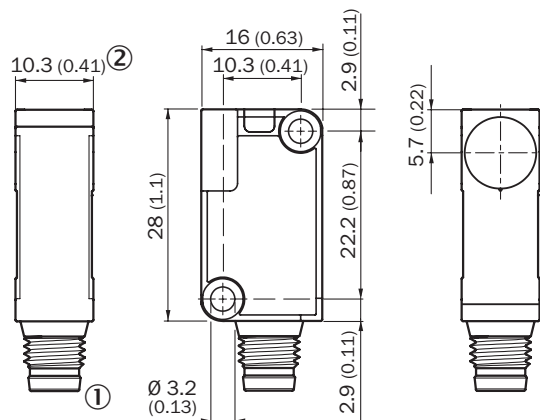
DC 4-wire

Sensing range S_n	Installation type	Output function	Output type	Connection	Connection diagram	Model name	Part no.
3 mm	Flush	Complementary	PNP	Cable, 4-wire, 2 m, PVC	Cd-005	IQ10-03BPPKW2S	1055465
				Cable with plug, M12, 4-pin, 0.3 m, PVC	Cd-006	IQ10-03BPPKQ8S	1055467
			NPN	Cable, 4-wire, 2 m, PVC	Cd-005	IQ10-03BNPKW2S	1055466

Dimensional drawings

IQ10-xxxxxxT0S,

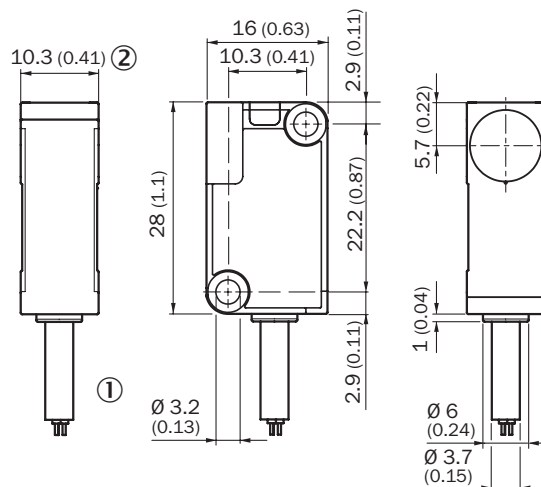
connector



- ① Connection
- ② LED indicator 270°

IQ10-xxxxxxW2S, IQ10-xxxxxxQ8S,

cable, cable with plug

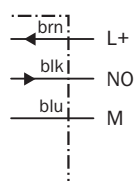


- ① Connection
- ② LED indicator 270°

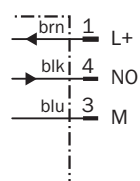
dimensions in mm

Connection diagram

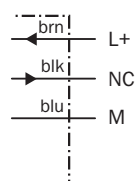
Cd-001



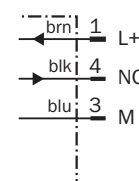
Cd-002



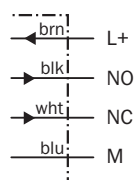
Cd-003



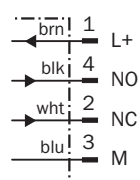
Cd-004



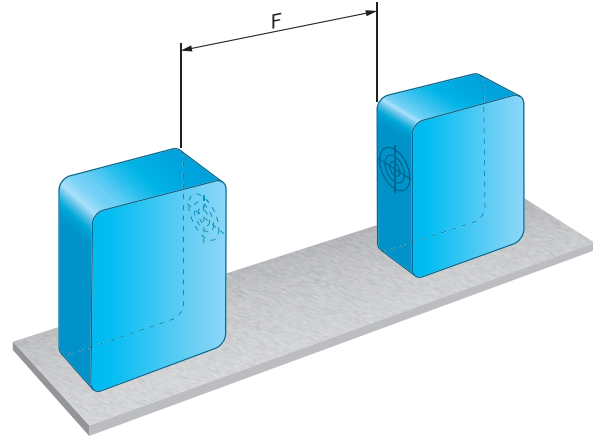
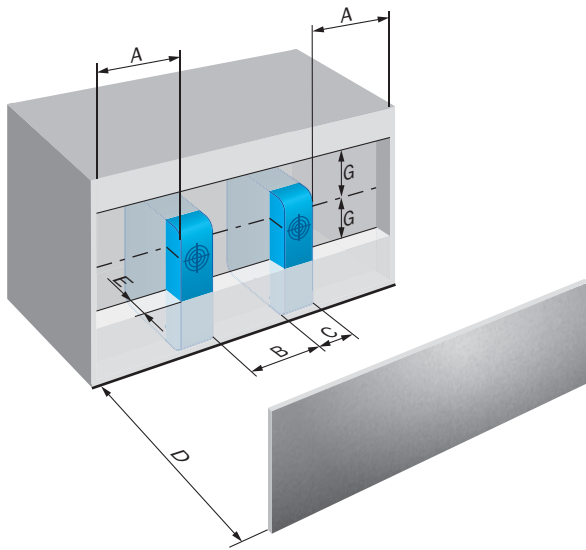
Cd-005



Cd-006

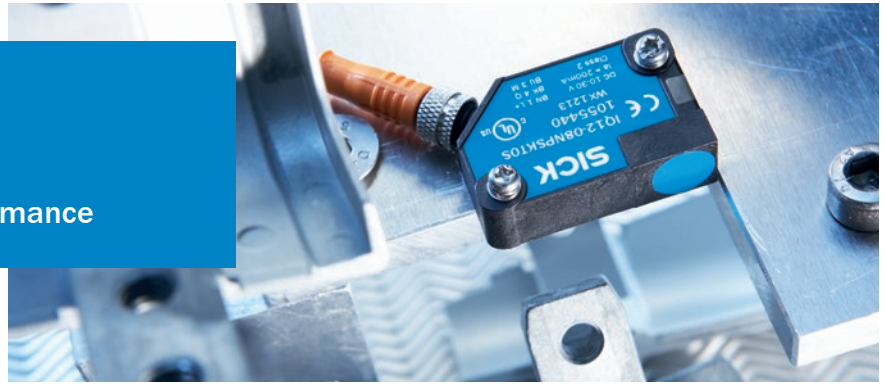


Installation note



	A	B	C	D	E	F	G
IQ10-xBxxxxxx	0 mm	10 mm	10.3 mm	9 mm	0 mm	24 mm	0 mm
IQ10-xNxxxxxx	7 mm	30 mm	10.3 mm	18 mm	12 mm	48 mm	12 mm

Economic, best-in-class performance



Product description

With a compact design and best-in-class performance, the rectangular IQ12 sensor family offers extended sensing ranges of up to 8 mm and state-of-the-art SICK-ASIC technology. Its proven, reliable design with 270° status display is also ideal for more demanding

applications. Extremely rugged VISTAL™ housing, innovative hotmelt molding and an IP 68 enclosure rating of make the IQ12 family the first choice for a wide range of applications and ensures the highest possible levels of process reliability and satisfaction.

At a glance

- Tough VISTAL™ housing
- SICK-ASIC technology
- 270° status display with extra-bright LED
- Extended sensing range of up to 8 mm
- Hotmelt molding
- Withstands high installation and tightening torque
- IP 68 enclosure rating

Your benefits

- Best mechanical and electronic stability for extra-long service life
- Highest levels of process reliability for your application
- Long service life that reduce maintenance costs thanks to SICK's ASIC technology and rugged VISTAL™ housing
- Precise detection and high sensor accuracy enable fast handling and assembly processes
- Space-saving integration in every application
- Increased levels of protection against shock and vibration reduce maintenance costs
- Quick viewing of sensor status from any position in the room reduces mounting time and commissioning
- Safe, fast mounting without any need for readjustment saves installation time and maintenance costs



Additional information

Detailed technical data 19

Ordering information 20

Dimensional drawings 21

Connection diagram 21

Installation note 22

→ www.mysick.com/en/IQ12
For more information, just enter the link or scan the QR code and get direct access to technical data, CAD design models, operating instructions, software, application examples and much more.



Detailed technical data

Features

	DC 3-wire	DC 4-wire
Dimensions (W x H x D)	12 mm x 26 mm x 40 mm	
Sensing range S_n	Flush	4 mm
	Non-flush	8 mm
Assured sensing range S_a	Flush	3.24 mm
	Non-flush	6.48 mm
Installation type	Flush / non-flush	Flush
Switching frequency	2,000 Hz	
Output type	PNP / NPN	
Output function	NO / NC	Complementary
Electrical wiring	DC 3-wire	DC 4-wire
Enclosure rating ¹⁾	IP 67, IP 68	

¹⁾ According to EN60529.

Mechanics/electronics

	DC 3-wire	DC 4-wire
Supply voltage	10 V DC ... 30 V DC	
Ripple ^{1) 1)}	≤ 10 %	
Voltage drop ²⁾	≤ 2 V	≤ 3 V
Current consumption ³⁾	≤ 10 mA	≤ 20 mA
Time delay before availability	≤ 100 ms	
Hysteresis	5 % ... 15 %	
Repeatability ^{4) 5)}	≤ 2 %	
Temperature drift (% of S_p)	± 10 %	
EMC	According to EN 60947-5-2	
Output current I_a	≤ 200 mA	
Connection type	Connector, M8 / Cable, 2 m, PVC, 3 x 0.25 mm ²	Cable, 2 m, PVC, 4 x 0.14 mm ² Cable with plug, M12, 0.3 m, PVC
Short-circuit protection	✓	
Reverse polarity protection	✓	
Power-up pulse protection	✓	
Shock/vibration	30 g, 11 ms/10 ... 55 Hz, 1 mm	
Ambient operating temperature	-25 °C ... +75 °C	
Housing material	Plastic, VISTAL™	
Sensing face material	Plastic, VISTAL™	
Tightening torque, max.	≤ 1 Nm	

¹⁾ Of V_s .

²⁾ At I_a max.

³⁾ Without load.

⁴⁾ U_b and T_a constant.

⁵⁾ Of S_r .

	DC 3-wire	DC 4-wire
Reduction factor R_m	The values are reference values which may vary	
Stainless steel (V2A, 304)	0.7	
Aluminum (Al)		
Flush	0.4	
Non-flush	0.5	-
Copper (Cu)		
Flush	0.3	
Non-flush	0.4	-
Brass (Br)		
Flush	0.4	
Non-flush	0.5	-

Ordering information

DC 3-wire

Sensing range S_n	Installation type	Output function	Output type	Connection	Connection diagram	Model name	Part no.
4 mm	Flush	NO	PNP	Connector M8, 3-pin	Cd-002	IQ12-04BPSKT0S	1055432
				Cable, 3-wire, 2 m, PVC	Cd-001	IQ12-04BPSKW2S	1055428
			NPN	Connector M8, 3-pin	Cd-002	IQ12-04BNSKT0S	1055434
		Cable, 3-wire, 2 m, PVC		Cd-001	IQ12-04BNSKW2S	1055430	
		NC	PNP	Connector M8, 3-pin	Cd-004	IQ12-04BPOKT0S	1055433
				Cable, 3-wire, 2 m, PVC	Cd-003	IQ12-04BPOKW2S	1055429
NPN	Connector M8, 3-pin		Cd-004	IQ12-04BNOKT0S	1055435		
	Cable, 3-wire, 2 m, PVC	Cd-003	IQ12-04BNOKW2S	1055431			
8 mm	Non-flush	NO	PNP	Connector M8, 3-pin	Cd-002	IQ12-08NPSKT0S	1055440
				Cable, 3-wire, 2 m, PVC	Cd-001	IQ12-08NPSKW2S	1055436
			NPN	Connector M8, 3-pin	Cd-002	IQ12-08NNSKT0S	1055442
		Cable, 3-wire, 2 m, PVC		Cd-001	IQ12-08NNSKW2S	1055438	
		NC	PNP	Connector M8, 3-pin	Cd-004	IQ12-08NPOKT0S	1055441
				Cable, 3-wire, 2 m, PVC	Cd-003	IQ12-08NPOKW2S	1055437
NPN	Connector M8, 3-pin		Cd-004	IQ12-08NNOKT0S	1055443		
	Cable, 3-wire, 2 m, PVC	Cd-003	IQ12-08NNOKW2S	1055439			

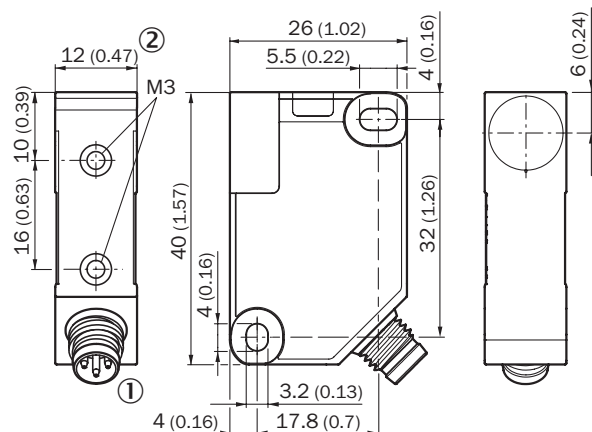
DC 4-wire

Sensing range S_n	Installation type	Output function	Output type	Connection	Connection diagram	Model name	Part no.
4 mm	Flush	Complementary	PNP	Cable, 4-wire, 2 m, PVC	Cd-005	IQ12-04BPPKW2S	1055444
				Cable with plug, M12, 4-pin, 0.3 m, PVC	Cd-006	IQ12-04BPPKQ8S	1055446
			NPN	Cable, 4-wire, 2 m, PVC	Cd-005	IQ12-04BNPKW2S	1055445

Dimensional drawings

IQ12-xxxxxT0S,

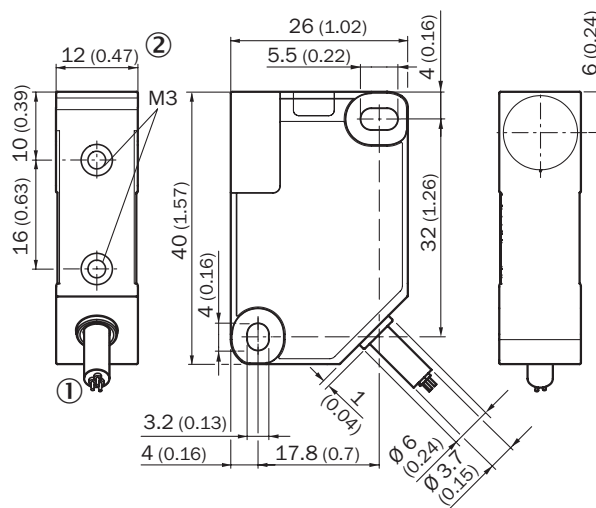
connector



- ① Connection
- ② LED indicator 270°

IQ12-xxxxxW2S, IQ12-xxxxxQ8S,

cable, cable with plug

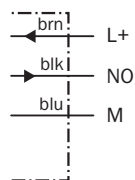


- ① Connection
- ② LED indicator 270°

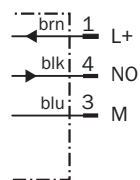
dimensions in mm

Connection diagram

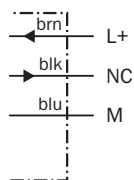
Cd-001



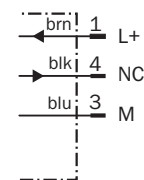
Cd-002



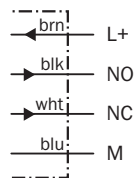
Cd-003



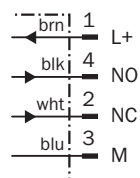
Cd-004



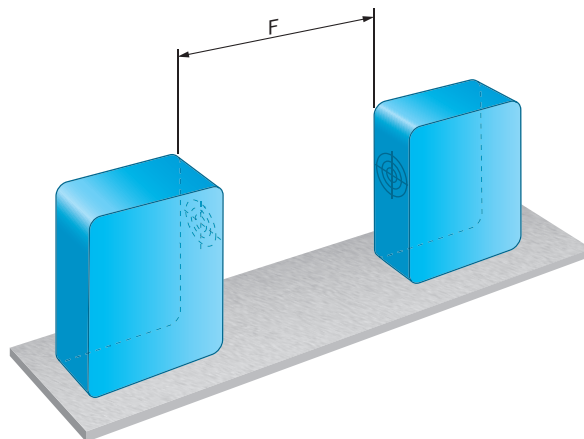
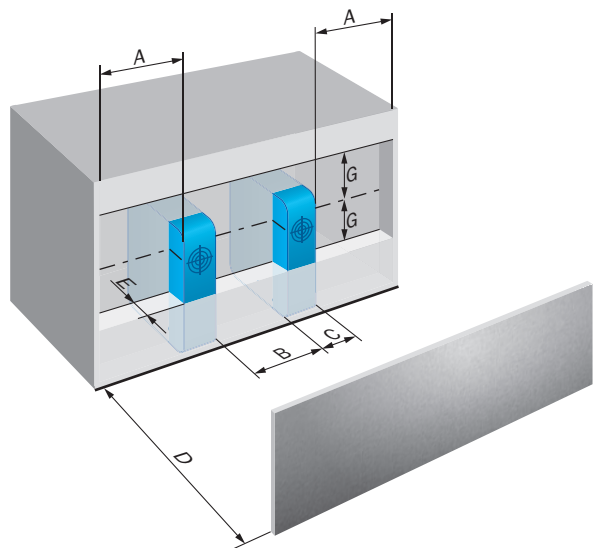
Cd-005



Cd-006



Installation note







	A	B	C	D	E	F	G
IQ12-xBxxxxxx	0 mm	12 mm	12 mm	12 mm	0 mm	32 mm	0 mm
IQ12-xNxxxxxx	10 mm	36 mm	12 mm	24 mm	16 mm	64 mm	16 mm

Connectors and cables

M8, 3-pin

- Connector type: Female connector

Figure	Flying leads	Enclosure rating	Sheath material	Cable length	Model name	Part no.	IQ08	IQ10	IQ12
	Straight	IP 67	PVC	2 m	DOL-0803-G02M	6010785	●	●	●
				5 m	DOL-0803-G05M	6022009	●	●	●
				10 m	DOL-0803-G10M	6022011	●	●	●
		IP 69K	PVC	2 m	DOL-0803-G02MN	6033664	●	●	●
				5 m	DOL-0803-G05MN	6033665	●	●	●
				10 m	DOL-0803-G10MN	6033666	●	●	●
	Straight	IP 67	PUR, halogen free	2 m	DOL-0803-G02MC	6025888	●	●	●
				5 m	DOL-0803-G05MC	6025889	●	●	●
				10 m	DOL-0803-G10MC	6025890	●	●	●
	90°	IP 67	PVC	2 m	DOL-0803-W02M	6008489	●	●	●
				5 m	DOL-0803-W05M	6022010	●	●	●
				10 m	DOL-0803-W10M	6022012	●	●	●
		IP 69K	PVC	2 m	DOL-0803-W02MN	6033667	●	●	●
				5 m	DOL-0803-W05MN	6033668	●	●	●
				10 m	DOL-0803-W10MN	6033669	●	●	●
	90°	IP 67	PUR, halogen free	2 m	DOL-0803-W02MC	6025891	●	●	●
				5 m	DOL-0803-W05MC	6025892	●	●	●
				10 m	DOL-0803-W10MC	6025893	●	●	●

M12, 4-pin

- Connector type: Female connector





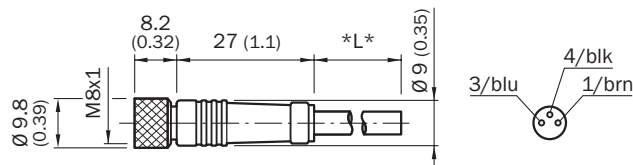
Figure	Flying leads	Enclosure rating	Sheath material	Cable length	Model name	Part no.	IQ08	IQ10	IQ12
	Straight	IP 67	PVC	2 m	DOL-1204-G02M	6009382	-	●	●
				5 m	DOL-1204-G05M	6009866	-	●	●
				10 m	DOL-1204-G10M	6010543	-	●	●
		IP 69K	PVC	2 m	DOL-1204-G02MN	6028128	-	●	●
				5 m	DOL-1204-G05MN	6028130	-	●	●
				10 m	DOL-1204-G10MN	6028132	-	●	●
	Straight	IP 68	PUR, halogen free	2 m	DOL-1204-G02MC	6025900	-	●	●
				5 m	DOL-1204-G05MC	6025901	-	●	●
				10 m	DOL-1204-G10MC	6025902	-	●	●

Figure	Flying leads	Enclosure rating	Sheath material	Cable length	Model name	Part no.	IQ08	IQ10	IQ12
	90°	IP 67	PVC	2 m	DOL-1204-W02M	6009383	-	●	●
				5 m	DOL-1204-W05M	6009867	-	●	●
				10 m	DOL-1204-W10M	6010541	-	●	●
		IP 69K	PVC	2 m	DOL-1204-W02MN	6028129	-	●	●
				5 m	DOL-1204-W05MN	6028131	-	●	●
				10 m	DOL-1204-W10MN	6028133	-	●	●
		IP 68	PUR, halogen free	2 m	DOL-1204-W02MC	6025903	-	●	●
				5 m	DOL-1204-W05MC	6025904	-	●	●
				10 m	DOL-1204-W10MC	6025905	-	●	●

Dimensional drawings

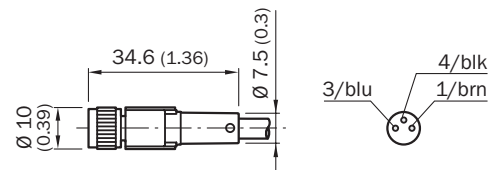
Dimensional drawings Plug connectors and cables

DOL-0803-GxxM



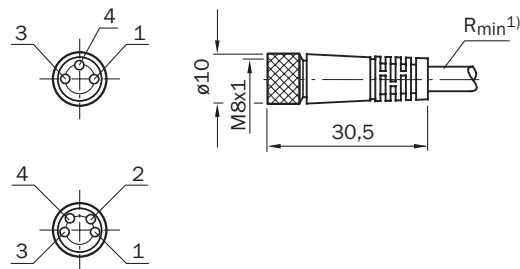
Dimensions in mm (inch)

DOL-0803-GxxMC



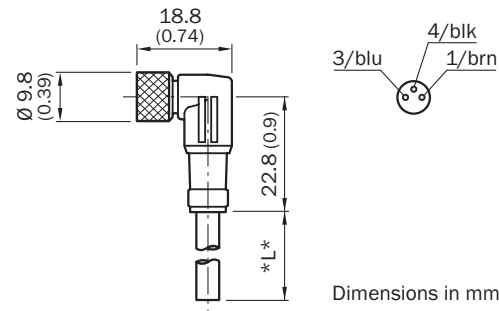
Dimensions in mm (inch)

DOL-0803-GxxMN



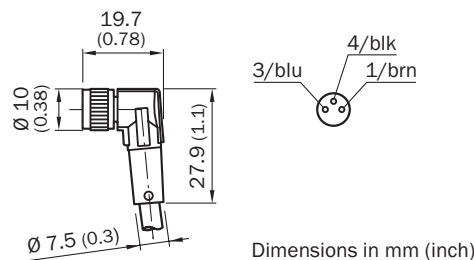
DOL-0803-WxxM

DOL-0803-WxxM



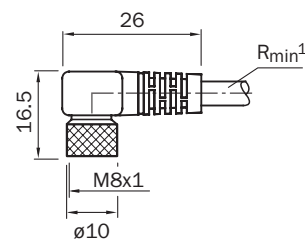
Dimensions in mm (inch)

DOL-0803-WxxMC

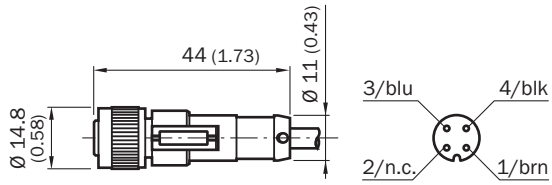


Dimensions in mm (inch)

DOL-0803-WxxMN

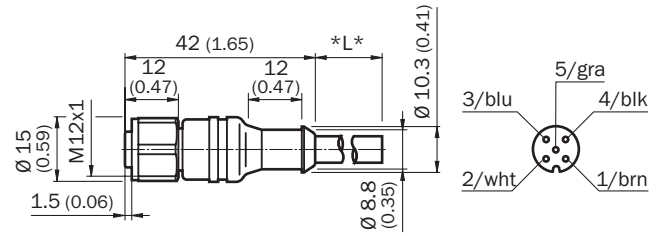


DOL-1204-GxxM, DOL-1204-GxxMC



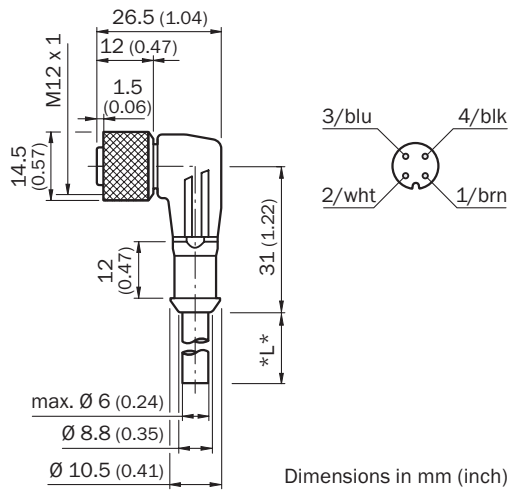
Dimensions in mm (inch)

DOL-1204-GxxMN



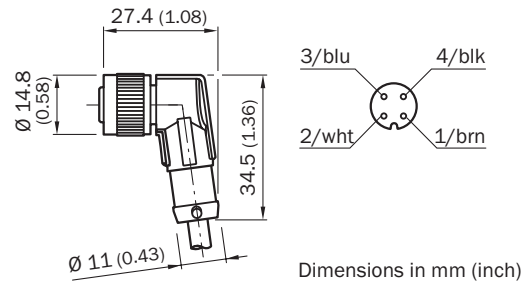
Dimensions in mm (inch)

DOL-1204-WxxM



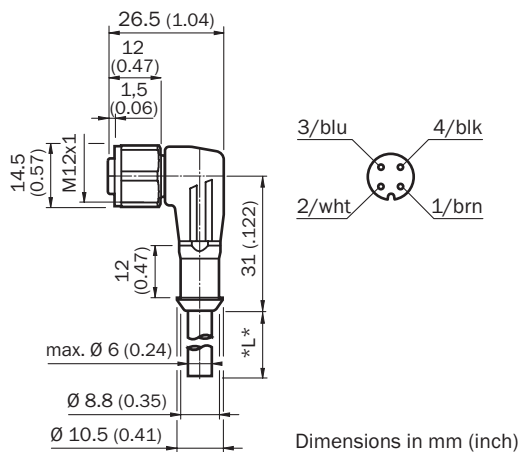
Dimensions in mm (inch)

DOL-1204-WxxMC



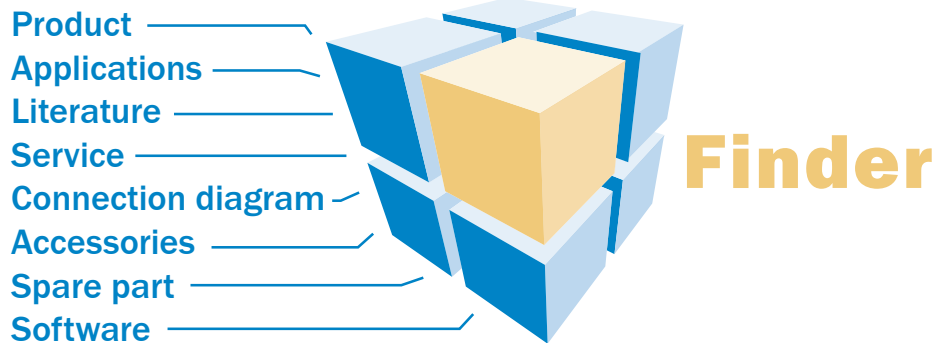
Dimensions in mm (inch)

DOL-1204-WxxMN



Dimensions in mm (inch)

Search online quickly and safely with the SICK „Finders“



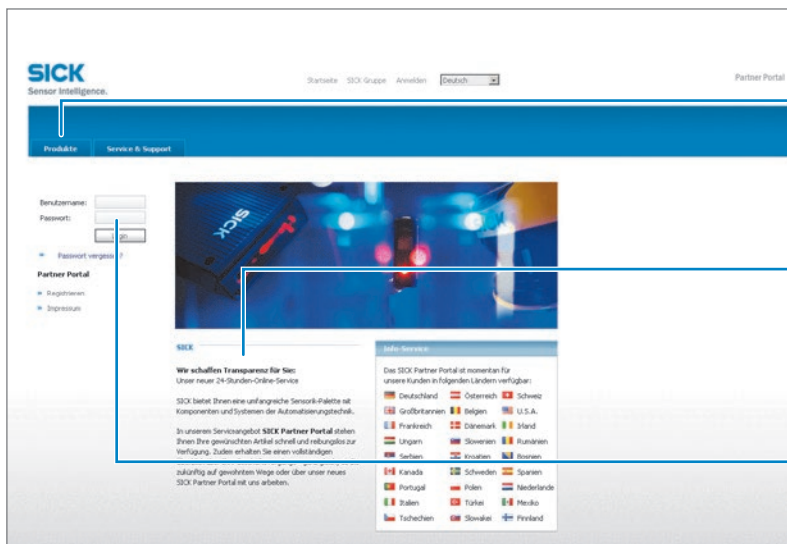
Product Finder: We can help you to quickly target the product that best matches your application.

Applications Finder: Select the application description on the basis of the challenge posed, industrial sector, or product group.

Literature Finder: Go directly to the operating instructions, technical information, and other literature on all aspects of SICK products.

These and other Finders at www.mysick.com

Efficiency – with SICK e-commerce tools



Clearly structured: You can find everything you need for your sensor planning under the menu items Products, Information, and My Account.

Available 24 hours a day: Regardless of where you are in the world or what you would like to know – everything is just a click away at www.mysick.com.

Safe: Your data is password-protected and only visible to you. With the individual user management, you define who can see what data and who can execute what actions.

Find out prices and availability

Determine the price and possible delivery date of your desired product simply and quickly at any time.

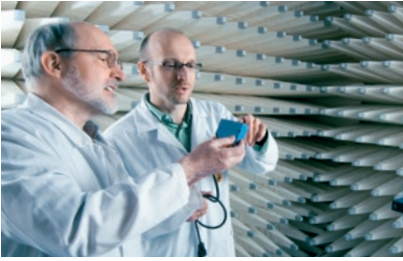
Order online

You can go through the ordering process in just a few steps.

Request or view a quote

You can have a quote generated online here. Every quote is confirmed to you via e-mail.

SICK at a glance



Leading technologies

With a staff of more than 5,800 and nearly 50 subsidiaries and representations worldwide, SICK is one of the leading and most successful manufacturers of sensor technology. The power of innovation and solution competency have made SICK the global market leader. No matter what the project and industry may be, talking with an expert from SICK will provide you with an ideal basis for your plans – there is no need to settle for anything less than the best.



Unique product range

- Non-contact detecting, counting, classifying, positioning and measuring of any type of object or media
- Accident and operator protection with sensors, safety software and services
- Automatic identification with bar code and RFID readers
- Laser measurement technology for detecting the volume, position and contour of people and objects
- Complete system solutions for analysis and flow measurement of gases and liquids



Comprehensive services

- SICK LifeTime Services – for safety and productivity
- Application centers in Europe, Asia and North America for the development of system solutions under real-world conditions
- E-Business Partner Portal www.mysick.com – price and availability of products, requests for quotation and online orders

Worldwide presence with subsidiaries in the following countries:

Australia
Belgium/Luxembourg
Brasil
Česká Republika
Canada
China
Danmark
Deutschland
España
France
Great Britain
India
Israel
Italia
Japan

México
Nederland
Norge
Österreich
Polska
România
Russia
Schweiz
Singapore
Slovenija
South Africa
South Korea
Suomi
Sverige
Taiwan
Türkiye
United Arab Emirates
USA

Please find detailed addresses and additional representatives and agencies in all major industrial nations at www.sick.com

X-ON Electronics

Largest Supplier of Electrical and Electronic Components

Click to view similar products for [Proximity Sensors](#) category:

Click to view products by [Sick](#) manufacturer:

Other Similar products are found below :

[01.001.5653.1](#) [70.340.1028.0](#) [70.360.2428.0](#) [70.364.4828.0](#) [70.810.1053.0](#) [72.360.1628.0](#) [73.363.6428.0](#) [9221350022](#) [980659-1](#) [QT-12](#)
[E2EX10D1NN](#) [E2E-X14MD1-G](#) [E2E-X2D1-G](#) [E2EX2ME2N](#) [E2E-X3D1-N 10M](#) [E2E-X4MD1-G](#) [E2FMX1R5D12M](#) [E2K-F10MC1 5M](#)
[EI1204TBOSL-6](#) [EI5515NPAP](#) [BSA-08-25-08](#) [IC08ANC15PO-K](#) [IMM2582C](#) [25.161.3253.0](#) [25.332.0653.1](#) [25.352.0653.0](#) [25.352.0753.0](#)
[25.523.3253.0](#) [9151710023](#) [922FS1.5C-A4P-Z774](#) [SC606ABV0S30](#) [SM952A126100LE](#) [SM956A132600](#) [A1220EUA-T](#) [F3S-A162-U](#) [CL18](#)
[QT-08L](#) [34.110.0010.0](#) [TL-C2MF1-M3-E4](#) [IA08BLF15NOM5](#) [IA08BSF15NOM5](#) [IA12ASF04DOM1](#) [IMM32188C](#) [IS2](#) [IS31SE5000-](#)
[UTLS2-TR](#) [34.110.0021.0](#) [34.110.0022.0](#) [CA150-120VACDC](#) [VM18VA3000Q](#) [XS508BSCBL2](#)