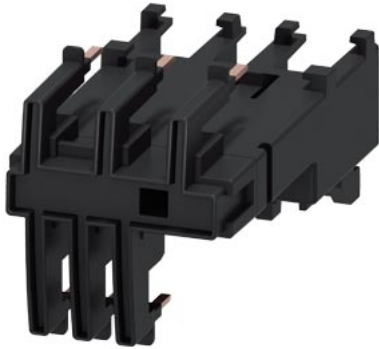


Link module Electrical and mechanical for 3RV2011 and 3RT201. Spring-type terminal



product brand name	SIRIUS
product designation	link module
design of the product	actuating voltage contactor: AC and DC

General technical data

size of the circuit-breaker	S00
size of contactor	S00
Substance Prohibition (Date)	10/01/2009
number of poles	3

Installation/ mounting/ dimensions

fastening method	clip-on
------------------	---------

Approvals Certificates

General Product Approval	Declaration of Conformity
--------------------------	---------------------------



[Confirmation](#)



Test Certificates **Marine / Shipping**

[Type Test Certificates/Test Report](#)

[Special Test Certificate](#)



Marine / Shipping **other** **Railway**



[Confirmation](#)

[Vibration and Shock](#)

Further information

Siemens has decided to exit the Russian market (see here).
<https://press.siemens.com/global/en/pressrelease/siemens-wind-down-russian-business>

Siemens is working on the renewal of the current EAC certificates.
 Please contact your local Siemens office on the status of validity of the EAC certification if you intend to import or offer to supply these products to an EAC relevant market (other than the sanctioned EAEU member states Russia or Belarus).

Information on the packaging
<https://support.industry.siemens.com/cs/ww/en/view/109813875>

Information- and Downloadcenter (Catalogs, Brochures,...)
<https://www.siemens.com/ic10>

Industry Mall (Online ordering system)

<https://mall.industry.siemens.com/mall/en/en/Catalog/product?mlfb=3RA2911-2AA00>

Cax online generator

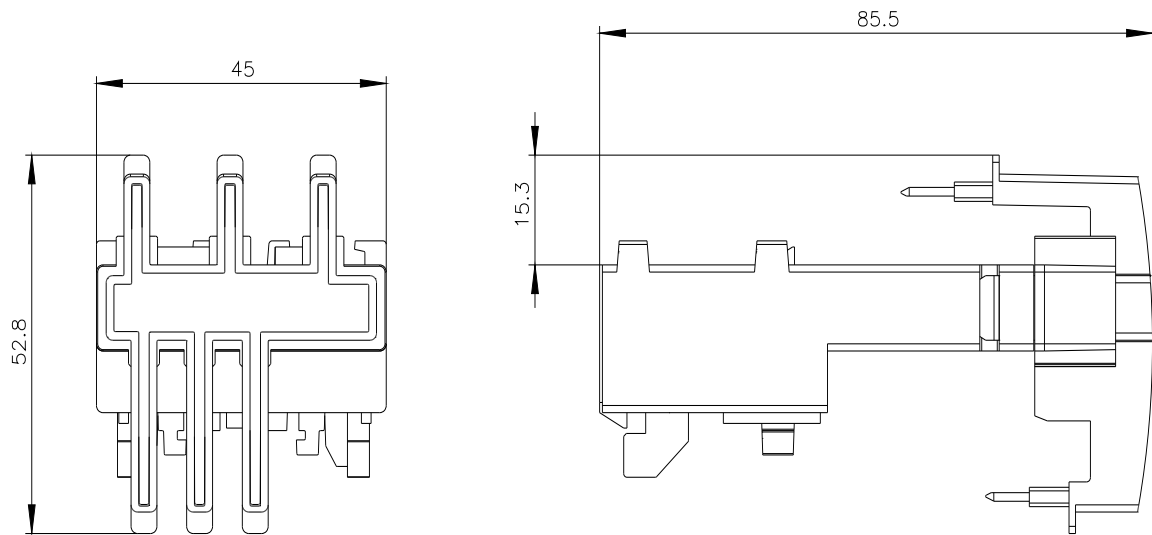
<http://support.automation.siemens.com/WW/CAXorder/default.aspx?lang=en&mlfb=3RA2911-2AA00>

Service&Support (Manuals, Certificates, Characteristics, FAQs,...)

<https://support.industry.siemens.com/cs/ww/en/ps/3RA2911-2AA00>

Image database (product images, 2D dimension drawings, 3D models, device circuit diagrams, EPLAN macros, ...)

http://www.automation.siemens.com/bilddb/cax_de.aspx?mlfb=3RA2911-2AA00&lang=en



last modified:

6/17/2021 

X-ON Electronics

Largest Supplier of Electrical and Electronic Components

Click to view similar products for [Contactor Accessories](#) category:

Click to view products by [Siemens](#) manufacturer:

Other Similar products are found below :

[3RT1945-5AP61](#) [YC9Z-RHU10A16P](#) [YC9Z-RHU5A1P6](#) [YC9Z-CI6](#) [YC9Z-CNA211M](#) [1SAX351001R1101](#) [1SBN050100R1002](#)
[1SBN050020R1003](#) [022.63](#) [F4-22](#) [EH04-11N](#) [CA4-31E](#) [CAL5X-11](#) [F5-T0](#) [CA5X-22M](#) [YC9Z-LCU38A24](#) [YC9Z-RHU5A2P5](#) [49AB20](#)
[75D73251A](#) [022.18.1](#) [022.26](#) [11BA167124V203](#) [LADN04](#) [LADN10](#) [1SAX121001R1103](#) [1SBN020010R1003](#) [1SBN050020R1000](#)
[1SBN050200R1002](#) [1SBN081313R2000](#) [3RA2912-2H](#) [3RA2913-2AA1](#) [3RA2922-2H](#) [3RA2923-2AA1](#) [3RA2923-2BB1](#) [3RF2900-3PA88](#)
[3RT1916-4KA1](#) [3RT2926-3AB31](#) [CAL5-11](#) [DB42](#) [1SBN020314R1000](#) [1SBN082306T1000](#) [CA5-22M](#) [DB80](#) [EHTK210](#) [LDC4](#) [MS325-](#)
[SM1](#) [GCA95A48VDC](#) [GUR02](#) [13222574](#) [SW182B-1](#)