



AS-i data decoupler 2 x 4 A Spring-type terminals, AS-i dual Data decoupling module IP20, SlimLine S22.5 spring-type terminals Overall width module 22.5 mm IN: 24 V / 30 V DC OUT: 2 x AS-i, 4 A Integrated overload protection Integrated ground fault detection Signaling contact Remote reset

General technical data		
product designation		Twin data decoupling module
design of the product		SlimLine S22.5 - Module to be used in the IP20 control cabinet
protection class IP		IP20
installation altitude at height above sea level maximum	m	2 000
ambient temperature		
• during operation	°C	-25 ... +70
• during storage	°C	-40 ... +85
relative humidity at 25 °C during operation maximum	%	70
reference code according to DIN 40719 extended according to IEC 204-2 according to IEC 750		A
reference code according to EN 61346-2		A
supplied active power	W	240
mechanical service life (operating cycles) of the signaling contacts typical		1 000 000
product function		
• auto-RESET		No
• external reset		Yes
• manual RESET		Yes
• ground fault detection		Yes
• test function of signaling contacts		Yes
• suitable for grounded AS-i networks		Yes
• adapted for non-grounded AS-i networks		Yes
• suitable for AS-i Power24V		Yes
• sequential connected time-delay		Yes
• AS-Interface data decoupling		Yes
reset function		yes
adjustable current response value current of the current-dependent overload release	A	2.5 ... 4
number of electrical connections for signaling contact		3
number of outputs for AS-Interface maximum		2
display version as status display by LED		yes
number of switching contacts as NO contact for signaling function		2
design of the switching contact as NO contact for signaling function		yes
response delay of the sequential connection delay	ms	200
Communication/ Protocol		
protocol is supported AS-Interface protocol		Yes
Auxiliary circuit		
operational current of auxiliary contacts		
• at AC-15 at 24 V	A	3

• at DC-13 at 24 V	A	1
Inputs/ Outputs		
type of voltage		
• of the input voltages		DC
• of the input voltage		DC
property of the output short-circuit proof		Yes
output voltage		
• 1 at DC rated value	V	30
—	V	20.5 ... 31.6
• 2 at DC rated value	V	24
output current at DC maximum	A	4
input voltage		
• 1 at DC rated value	V	30
—	V	21 ... 32
• 2 at DC rated value	V	24
input current at DC maximum	A	8.2
Short-circuit protection		
design of short-circuit protection		electronic
Installation/ mounting/ dimensions		
mounting position		vertical
fastening method		35-mm DIN rail mounting or wall mounting with plug-in flaps
width	mm	22.5
height	mm	104.9
depth	mm	121.2
type of electrical connection for auxiliary and control circuit		spring-loaded terminals
product component removable terminal for auxiliary and control circuit		Yes
type of connectable conductor cross-sections		
• for auxiliary contacts		
— solid		2x (0.25 ... 1.5 mm ²)
— finely stranded		
— with core end processing		2x (0.25 ... 1.5 mm ²)
— without core end processing		2x (0.25 ... 1.5 mm ²)
• for AWG cables for auxiliary contacts		2x (24 ... 16)
certificate of suitability		CE / UL / CSA
suitability for use safety-related circuits		Yes
Certificates/ approvals		
General Product Approval		EMV

[Confirmation](#)



Marine / Shipping	other	Environment
--------------------------	--------------	--------------------



[Confirmation](#)

[Environmental Confirmations](#)

Further information

Information on the packaging

<https://support.industry.siemens.com/cs/ww/en/view/109813875>

Information- and Downloadcenter (Catalogs, Brochures,...)

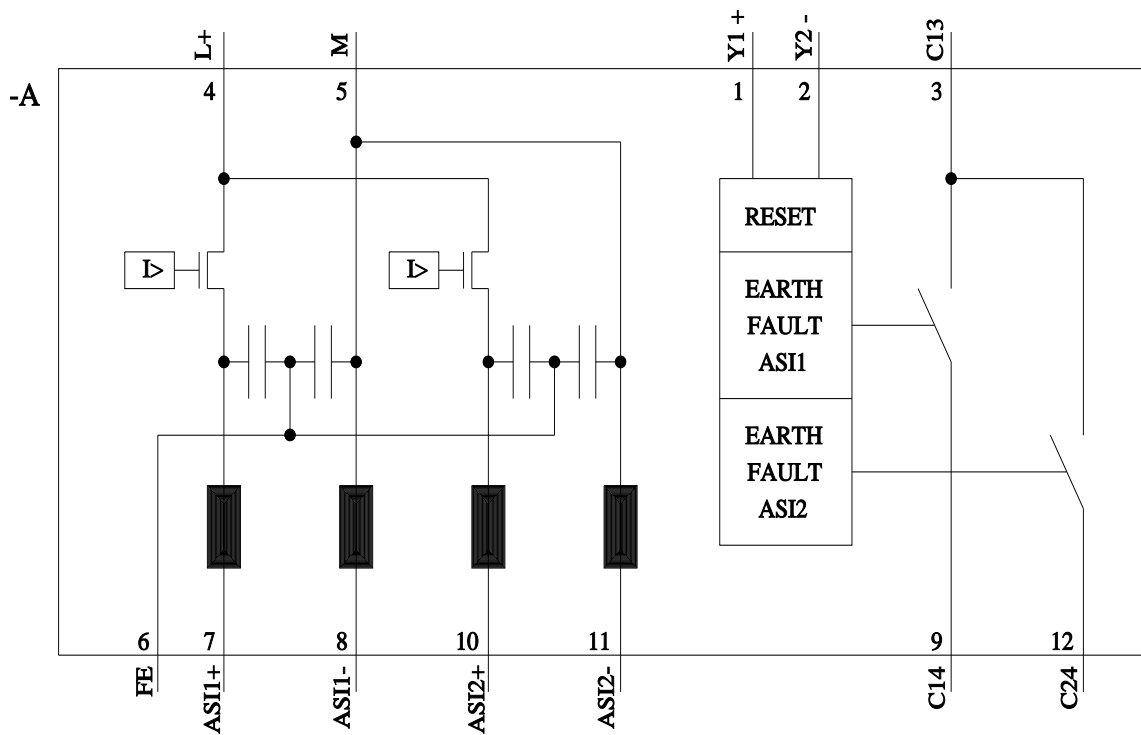
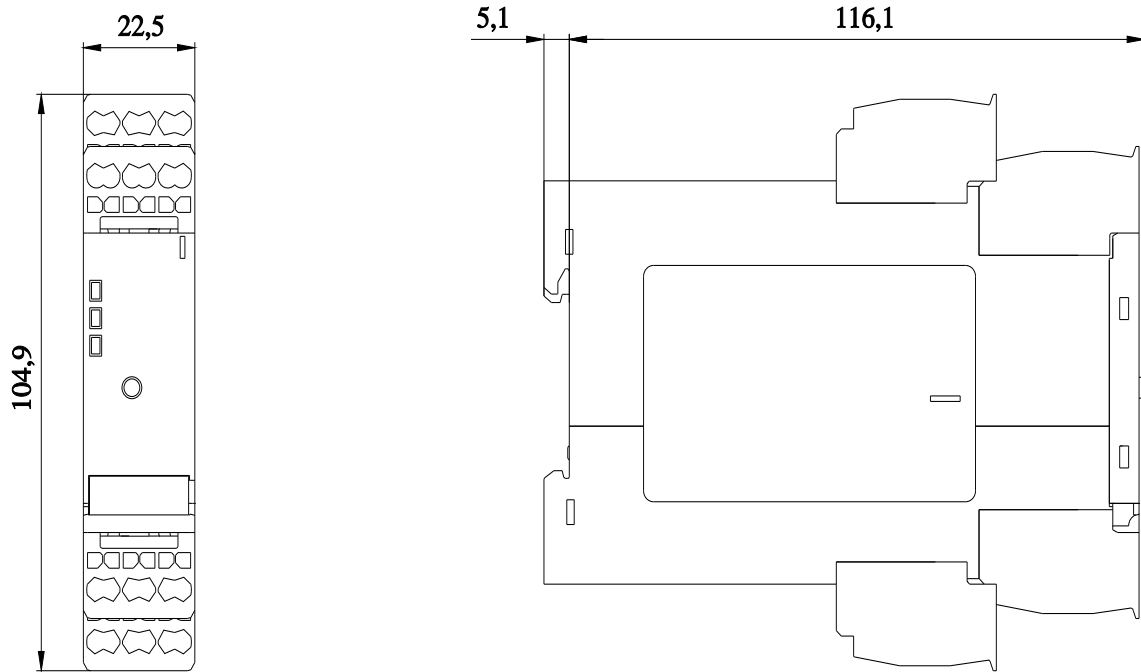
<https://www.siemens.com/ic10>

Industry Mall (Online ordering system)

<https://mall.industry.siemens.com/mall/en/en/Catalog/product?mlfb=3RK1901-1DG22-1AA0>

Cax online generator

<http://support.automation.siemens.com/WW/CAXorder/default.aspx?lang=en&mlfb=3RK1901-1DG22-1AA0>



last modified:

3/11/2024 

X-ON Electronics

Largest Supplier of Electrical and Electronic Components

Click to view similar products for [I/O Modules](#) category:

Click to view products by [Siemens](#) manufacturer:

Other Similar products are found below :

[70L-OAC-L](#) [G21960000700](#) [G34960002700](#) [G88104401](#) [IDC-5B](#) [OACU](#) [C4SWOUT](#) [FC6A-T32K3](#) [SNAP-OAC5MA](#) [FC6A-N16B3](#)
[FC6A-N32B3](#) [FC6A-T16P3](#) [G3TAOD201SDC24](#) [PB32HQ](#) [PB16T](#) [PB8](#) [PB8H](#) [C200H-OD211](#) [GT1-AD04CST](#) [GT1-DA04](#) [70GRCQ24-](#)
[HS](#) [M-OAC5](#) [G4OAC24AMA](#) [2736505](#) [6202](#) [6402](#) [IL MOD BK DI8 DO4-PAC](#) [FC6A-J2C1](#) [FC6A-KC1C](#) [FC6A-N08A11](#) [FC6A-M24BR1](#)
[FC6A-K4A1](#) [FC6A-T32P3](#) [9-1393028-2](#) [GP32900003700](#) [641-480-5022](#) [PB16H](#) [WISE-4050/LAN-B](#) [WISE-S614T-A](#) [ADAM-4068-C](#)
[56475](#) [ADAM-4017+-F](#) [ADAM-4118-C](#) [AMAX-4856-B](#) [WISE-4050-B](#) [ADAM-4051-C](#) [ADAM-4053-F](#) [GT1-AD08MX](#) [TM5SDO6TBFS](#)
[70Q3446](#)