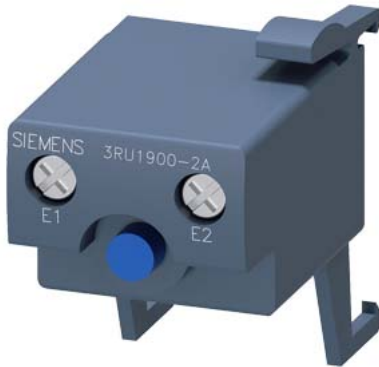







Electronic remote reset 110...127 V AC/DC for 3RU Size S00...S3



product brand name	SIRIUS	
product designation	Electric reset	
design of the product	Electrical Remote RESET	
General technical data		
size of overload relay	S00, S0, S2, S3	
Substance Prohibition (Date)	07/01/2006	
type of voltage of the control supply voltage	AC/DC	
control supply voltage 1 at AC		
• at 50 Hz	110 ... 127 V	
• at 60 Hz	110 ... 127 V	
control supply voltage frequency		
• 1 rated value	50 Hz	
• 2 rated value	60 Hz	
control supply voltage 1 at DC		
•	110 ... 127 V	
Ambient conditions		
ambient temperature		
• during operation	-20 ... +70 °C	
• during storage	-50 ... +80 °C	
Connections/ Terminals		
type of electrical connection for auxiliary and control circuit	screw-type terminals	
connectable conductor cross-section for auxiliary contacts		
• solid or stranded	0.5 ... 2.5 mm ²	
• finely stranded with core end processing	0.5 ... 2.5 mm ²	
type of connectable conductor cross-sections for auxiliary contacts		
• solid	2x (0.5 ... 1.5 mm ²), 2x (0.75 ... 2.5 mm ²)	
• finely stranded with core end processing	2x (0.5 ... 1.5 mm ²), 2x (0.75 ... 2.5 mm ²)	
Approvals Certificates		
General Product Approval	Test Certificates	
    	Type Test Certificates/Test Report	
Test Certificates	Marine / Shipping	other



Railway Environment

Further information

Information on the packaging

<https://support.industry.siemens.com/cs/ww/en/view/109813875>

Information- and Downloadcenter (Catalogs, Brochures,...)

<https://www.siemens.com/ic10>

Industry Mall (Online ordering system)

<https://mall.industry.siemens.com/mall/en/en/Catalog/product?mlfb=3RU1900-2AF71>

Cax online generator

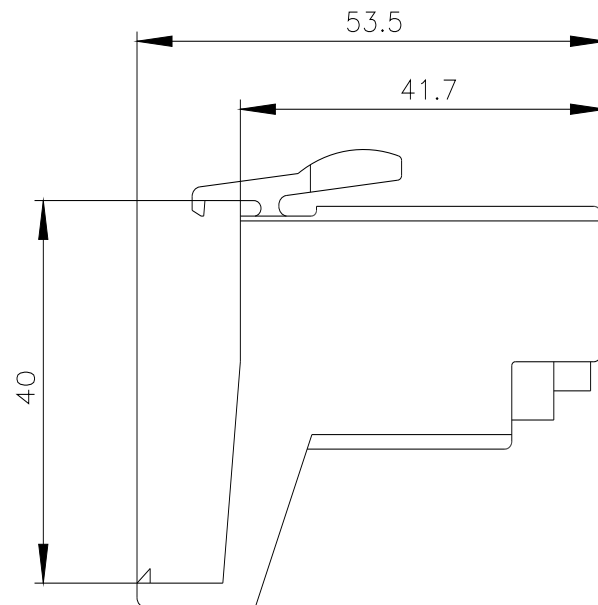
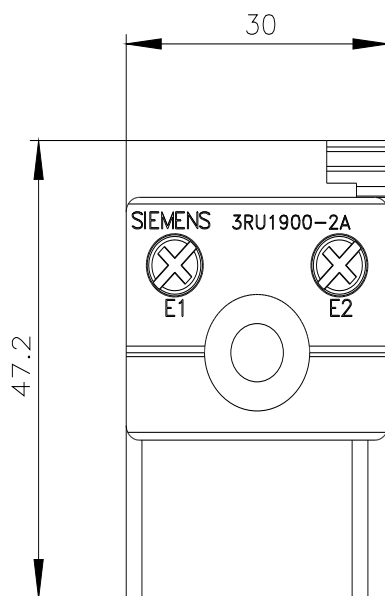
<http://support.automation.siemens.com/WW/CAXorder/default.aspx?lang=en&mlfb=3RU1900-2AF71>

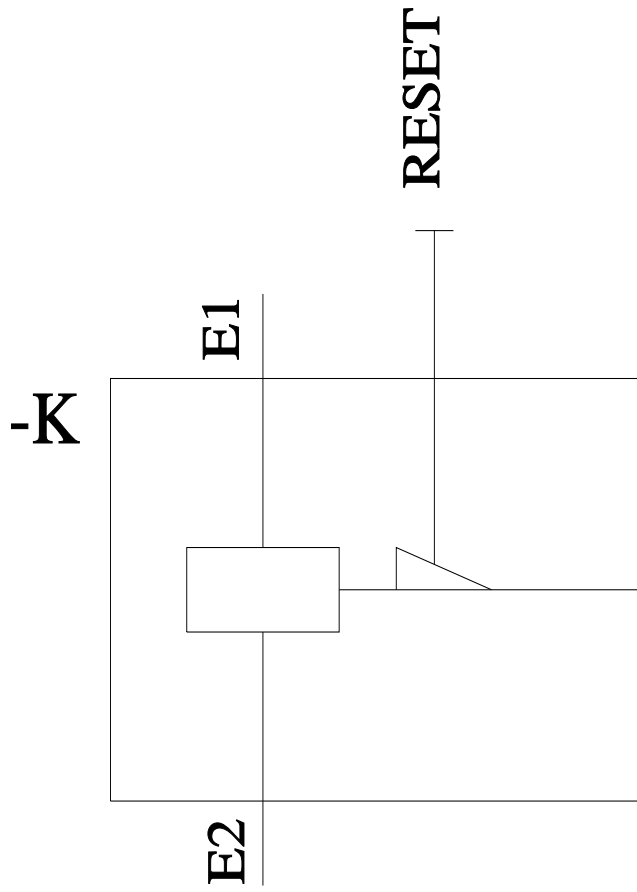
Service&Support (Manuals, Certificates, Characteristics, FAQs,...)

<https://support.industry.siemens.com/cs/ww/en/ps/3RU1900-2AF71>

Image database (product images, 2D dimension drawings, 3D models, device circuit diagrams, EPLAN macros, ...)

http://www.automation.siemens.com/bilddb/cax_de.aspx?mlfb=3RU1900-2AF71&lang=en





last modified:

1/10/2024 

X-ON Electronics

Largest Supplier of Electrical and Electronic Components

Click to view similar products for [Contactor Accessories](#) category:

Click to view products by [Siemens](#) manufacturer:

Other Similar products are found below :

[3RT1945-5AP61](#) [YC9Z-RHU10A16P](#) [YC9Z-RHU5A1P6](#) [YC9Z-CI6](#) [YC9Z-CNA211M](#) [1SAX351001R1101](#) [1SBN050100R1002](#)
[1SBN050020R1003](#) [022.63](#) [F4-22](#) [EH04-11N](#) [CA4-31E](#) [CAL5X-11](#) [F5-T0](#) [CA5X-22M](#) [YC9Z-LCU38A24](#) [YC9Z-RHU5A2P5](#) [49AB20](#)
[75D73251A](#) [022.18.1](#) [022.26](#) [11BA167124V203](#) [LADN04](#) [LADN10](#) [1SAX121001R1103](#) [1SBN020010R1003](#) [1SBN050020R1000](#)
[1SBN050200R1002](#) [1SBN081313R2000](#) [3RA2912-2H](#) [3RA2913-2AA1](#) [3RA2922-2H](#) [3RA2923-2AA1](#) [3RA2923-2BB1](#) [3RF2900-3PA88](#)
[3RT1916-4KA1](#) [3RT2926-3AB31](#) [CAL5-11](#) [DB42](#) [1SBN020314R1000](#) [1SBN082306T1000](#) [CA5-22M](#) [DB80](#) [EHTK210](#) [LDC4](#) [MS325-](#)
[SM1](#) [GCA95A48VDC](#) [GUR02](#) [13222574](#) [SW182B-1](#)