



Circuit breaker size S3 for system protection with approval circuit breaker UL 489, CSA C22.2 No.5-02 A-release 45 A N-release 585 A screw terminal

| | |
|---|---|
| product brand name | SIRIUS |
| product designation | Circuit breaker |
| design of the product | For system protection according to UL 489/CSA C22.2 No. 5 |
| product type designation | 3RV2 |
| General technical data | |
| size of the circuit-breaker | S3 |
| product extension auxiliary switch | Yes |
| power loss [W] for rated value of the current | |
| • at AC in hot operating state | 18 W |
| • at AC in hot operating state per pole | 6 W |
| insulation voltage with degree of pollution 3 at AC rated value | 1 000 V |
| surge voltage resistance rated value | 8 kV |
| shock resistance according to IEC 60068-2-27 | 25 g / 11 ms (rectangular impulse and sine pulse) |
| mechanical service life (operating cycles) | |
| • of the main contacts typical | 25 000 |
| • of auxiliary contacts typical | 25 000 |
| electrical endurance (operating cycles) typical | 25 000 |
| reference code according to IEC 81346-2 | Q |
| Substance Prohibition (Date) | 03/01/2017 |
| SVHC substance name | Lead - 7439-92-1 |
| Ambient conditions | |
| installation altitude at height above sea level maximum | 2 000 m |
| ambient temperature | |
| • during operation | -20 ... +60 °C |
| • during storage | -50 ... +80 °C |
| • during transport | -50 ... +80 °C |
| relative humidity during operation | 10 ... 95 % |
| Main circuit | |
| number of poles for main current circuit | 3 |
| operating voltage | |
| • rated value | 20 ... 600 V |
| operating frequency rated value | 50 ... 60 Hz |
| operational current rated value | 45 A |
| Protective and monitoring functions | |
| product function | |
| • ground fault detection | No |
| • phase failure detection | No |
| design of the overload release | thermal |
| maximum short-circuit current breaking capacity (I_{cu}) | |
| • at AC at 240 V rated value | 100 kA |

| | |
|--|--|
| <ul style="list-style-type: none"> • at AC at 400 V rated value | 100 kA |
| <ul style="list-style-type: none"> • at 480 AC Y/277 V according to UL 489 rated value | 65 kA |
| operating short-circuit current breaking capacity (Ics) at AC | |
| <ul style="list-style-type: none"> • at 240 V rated value | 100 kA |
| <ul style="list-style-type: none"> • at 400 V rated value | 50 kA |
| response value current of instantaneous short-circuit trip unit | 585 A |
| Short-circuit protection | |
| product function short circuit protection | Yes |
| design of the short-circuit trip | magnetic |
| Installation/ mounting/ dimensions | |
| mounting position | any |
| fastening method | screw and snap-on mounting onto 35 mm DIN rail according to DIN EN 60715 |
| height | 170 mm |
| width | 70 mm |
| depth | 176 mm |
| required spacing | |
| <ul style="list-style-type: none"> • for grounded parts at 400 V <ul style="list-style-type: none"> — downwards | 90 mm |
| <ul style="list-style-type: none"> — upwards | 90 mm |
| <ul style="list-style-type: none"> — at the side | 10 mm |
| <ul style="list-style-type: none"> • for live parts at 400 V <ul style="list-style-type: none"> — downwards | 90 mm |
| <ul style="list-style-type: none"> — upwards | 90 mm |
| <ul style="list-style-type: none"> — at the side | 10 mm |
| Connections/ Terminals | |
| type of electrical connection | |
| <ul style="list-style-type: none"> • for main current circuit | screw-type terminals |
| arrangement of electrical connectors for main current circuit | Top and bottom |
| type of connectable conductor cross-sections | |
| <ul style="list-style-type: none"> • for main contacts <ul style="list-style-type: none"> — solid | 2x (2.5 ... 16 mm ²) |
| <ul style="list-style-type: none"> — solid or stranded | 2x (2,5 ... 50 mm ²), 1x (10 ... 70 mm ²) |
| <ul style="list-style-type: none"> — finely stranded with core end processing | 2x (2.5 ... 35 mm ²), 1x (2.5 ... 50 mm ²) |
| <ul style="list-style-type: none"> — finely stranded without core end processing | 2x (10 ... 35 mm ²), 1x (10 ... 50 mm ²) |
| <ul style="list-style-type: none"> • for AWG cables for main contacts | 8 |
| <ul style="list-style-type: none"> • for AWG cables for main contacts for box terminal using the front clamping point | 8 |
| tightening torque | |
| <ul style="list-style-type: none"> • for main contacts with screw-type terminals | 4.5 ... 6 N·m |
| design of screwdriver shaft | Hexagonal socket |
| size of the screwdriver tip | 4 mm |
| design of the thread of the connection screw | |
| <ul style="list-style-type: none"> • for main contacts | M8 |
| Safety related data | |
| product function suitable for safety function | Yes |
| suitability for use | |
| <ul style="list-style-type: none"> • safety-related switching on | No |
| <ul style="list-style-type: none"> • safety-related switching OFF | Yes |
| service life maximum | 10 a |
| test wear-related service life necessary | Yes |
| proportion of dangerous failures | |
| <ul style="list-style-type: none"> • with low demand rate according to SN 31920 | 40 % |
| <ul style="list-style-type: none"> • with high demand rate according to SN 31920 | 50 % |
| B10 value with high demand rate according to SN 31920 | 5 000 |
| failure rate [FIT] with low demand rate according to SN 31920 | 50 FIT |
| ISO 13849 | |
| device type according to ISO 13849-1 | 3 |
| overdimensioning according to ISO 13849-2 necessary | Yes |
| IEC 61508 | |

| | |
|--|--|
| safety device type according to IEC 61508-2 | Type A |
| T1 value • for proof test interval or service life according to IEC 61508 | 10 a |
| Electrical Safety | |
| protection class IP on the front according to IEC 60529 | IP20 |
| touch protection on the front according to IEC 60529 | finger-safe, for vertical contact from the front |
| Display | |
| display version for switching status | Handle |
| Approvals Certificates | |
| General Product Approval | |



EG-Konf.



CCC

[Confirmation](#)



UL

[KC](#)

| | | | |
|--------------------------|-------------------|-------------------|-------|
| General Product Approval | Test Certificates | Marine / Shipping | other |
|--------------------------|-------------------|-------------------|-------|



[Special Test Certificate](#)

[Type Test Certificates/Test Report](#)



[Miscellaneous](#)

[Confirmation](#)

| | |
|-------|-------------|
| other | Environment |
|-------|-------------|



VDE



EPD

Siemens EcoTech



[Environmental Confirmations](#)

Further information

Information on the packaging

<https://support.industry.siemens.com/cs/ww/en/view/109813875>

Information- and Downloadcenter (Catalogs, Brochures,...)

<https://www.siemens.com/ic10>

Industry Mall (Online ordering system)

<https://mall.industry.siemens.com/mall/en/en/Catalog/product?mlfb=3RV2742-5HD10>

Cax online generator

<http://support.automation.siemens.com/WW/CAXorder/default.aspx?lang=en&mlfb=3RV2742-5HD10>

Service&Support (Manuals, Certificates, Characteristics, FAQs,...)

<https://support.industry.siemens.com/cs/ww/en/ps/3RV2742-5HD10>

Image database (product images, 2D dimension drawings, 3D models, device circuit diagrams, EPLAN macros, ...)

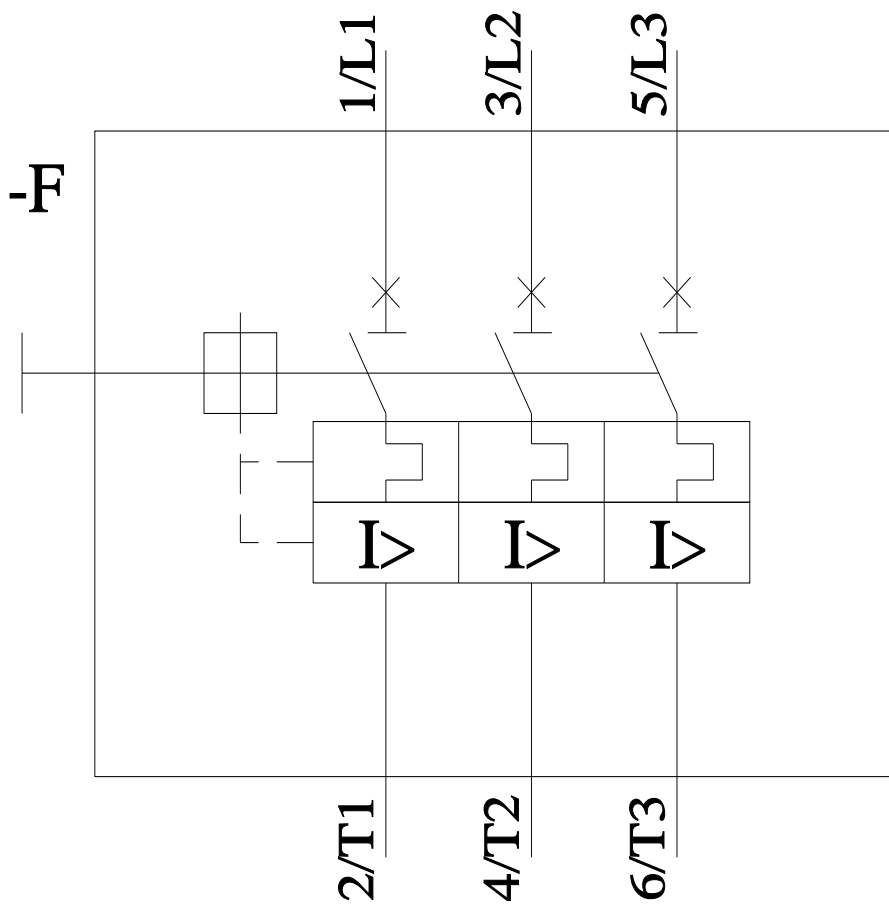
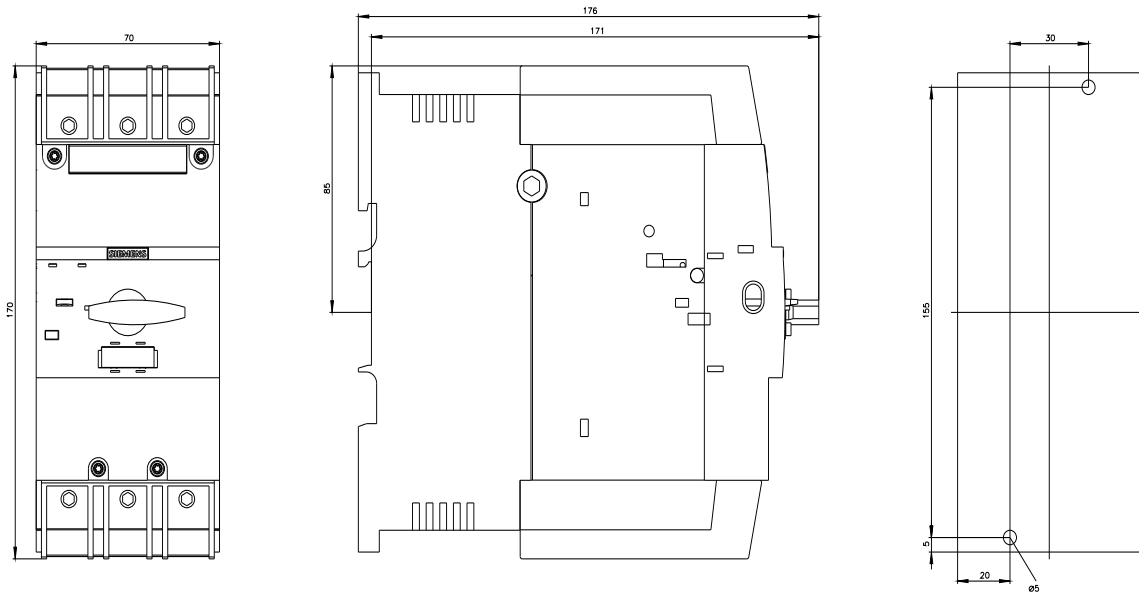
http://www.automation.siemens.com/bilddb/cax_de.aspx?mlfb=3RV2742-5HD10&lang=en

Characteristic: Tripping characteristics, I_t, Let-through current

<https://support.industry.siemens.com/cs/ww/en/ps/3RV2742-5HD10/char>

Further characteristics (e.g. electrical endurance, switching frequency)

<http://www.automation.siemens.com/bilddb/index.aspx?view=Search&mlfb=3RV2742-5HD10&objecttype=14&gridview=view1>



last modified:

4/12/2024

X-ON Electronics

Largest Supplier of Electrical and Electronic Components

Click to view similar products for [Circuit Breakers](#) category:

Click to view products by [Siemens](#) manufacturer:

Other Similar products are found below :

[0185080.X](#) [0185100.XP](#) [0185150.XP](#) [0700005](#) [0700007](#) [0700010](#) [0700015](#) [0700020](#) [0700025](#) [0700030](#) [0700040](#) [0712107](#) [0712123](#)
[0712152](#) [0712194](#) [0712217](#) [0712233](#) [0712259](#) [0712275](#) [0712291](#) [0712314](#) [0900100](#) [0900113](#) [0900126](#) [0900207](#) [0900210](#) [0900317](#)
[0900333](#) [0900414](#) [0900618](#) [0900634](#) [0900812](#) [0901002](#) [0902030](#) [0902056](#) [0902072](#) [0902098](#) [0902108](#) [0902111](#) [0902124](#) [0902137](#)
[0902218](#) [0902221](#) [0902247](#) [0902263](#) [0902328](#) [0902331](#) [0902344](#) [0902409](#) [0902412](#)