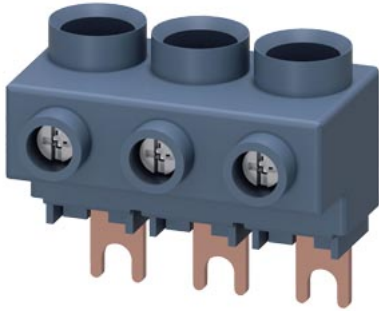


3-phase supply terminal for 3-phase busbar connection from top Size S00/S0



product brand name	SIRIUS	
product designation	3-phase supply terminal	
design of the product	from above, size S0/S00	
General technical data		
size of the circuit-breaker	S00, S0	
insulation voltage with degree of pollution 3 at AC rated value	690 V	
certificate of suitability	CE / UL / CSA / CCC	
Substance Prohibition (Date)	10/01/2009	
ampacity maximum	63 A	
Ambient conditions		
ambient temperature		
• during operation	-20 ... +60 °C	
• during storage	-50 ... +80 °C	
Safety related data		
protection class IP on the front according to IEC 60529	IP20	
touch protection on the front according to IEC 60529	finger-safe, for vertical contact from the front	
Installation/ mounting/ dimensions		
height	39 mm	
width	45 mm	
depth	27 mm	
Connections/ Terminals		
type of electrical connection for main current circuit	screw-type terminals	
type of connectable conductor cross-sections		
• for main contacts		
— solid	1x (2.5 ... 16 mm ²)	
— stranded	1x (2.5 ... 25 mm ²)	
— finely stranded with core end processing	1x (2.5 ... 16 mm ²)	
• for AWG cables for main contacts	1x (10 ... 4)	
connectable conductor cross-section for main contacts		
• solid or stranded	2.5 ... 16 mm ²	
• stranded	2.5 ... 25 mm ²	
• finely stranded with core end processing	2.5 ... 16 mm ²	
AWG number as coded connectable conductor cross section for main contacts	10 ... 4	
Approvals Certificates		
General Product Approval	Declaration of Conformity	Test Certificates

[Confirmation](#)



[Special Test Certificate](#)

Test Certificates

Marine / Shipping

[Type Test Certificates/Test Report](#)



Marine / Shipping

other

Railway

Environment



[Confirmation](#)



[Vibration and Shock](#)

[Environmental Confirmations](#)

Further information

Siemens has decided to exit the Russian market (see here).

<https://press.siemens.com/global/en/pressrelease/siemens-wind-down-russian-business>

Siemens is working on the renewal of the current EAC certificates.

Please contact your local Siemens office on the status of validity of the EAC certification if you intend to import or offer to supply these products to an EAC relevant market (other than the sanctioned EAEU member states Russia or Belarus).

Information on the packaging

<https://support.industry.siemens.com/cs/ww/en/view/109813875>

Information- and Downloadcenter (Catalogs, Brochures,...)

<https://www.siemens.com/ic10>

Industry Mall (Online ordering system)

<https://mall.industry.siemens.com/mall/en/en/Catalog/product?mlfb=3RV2925-5AB>

Cax online generator

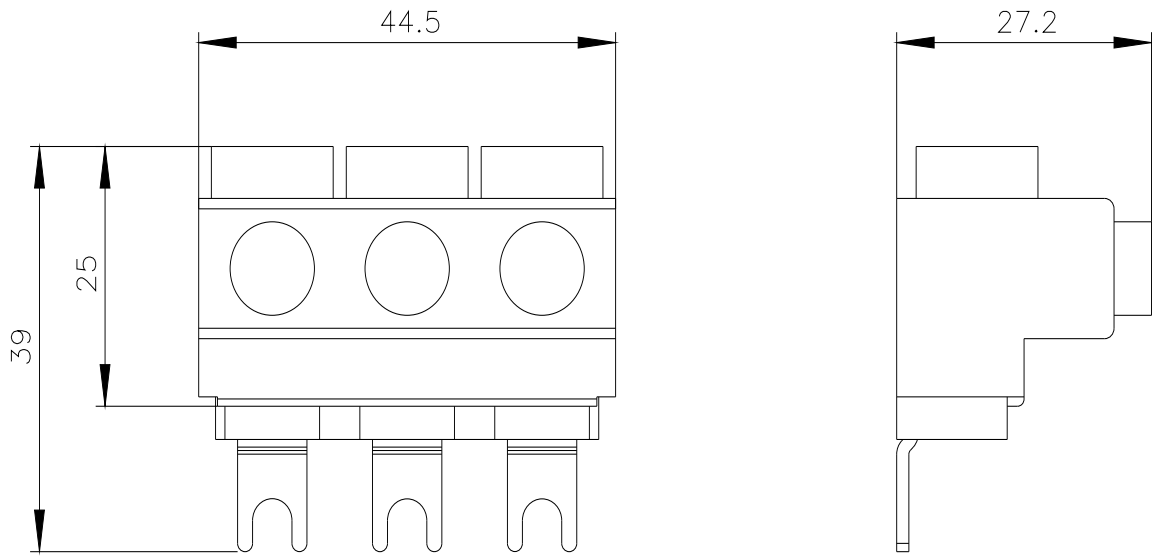
<http://support.automation.siemens.com/WW/CAXorder/default.aspx?lang=en&mlfb=3RV2925-5AB>

Service&Support (Manuals, Certificates, Characteristics, FAQs,...)

<https://support.industry.siemens.com/cs/ww/en/ps/3RV2925-5AB>

Image database (product images, 2D dimension drawings, 3D models, device circuit diagrams, EPLAN macros, ...)

http://www.automation.siemens.com/bilddb/cax_de.aspx?mlfb=3RV2925-5AB&lang=en



last modified:

12/6/2022 

X-ON Electronics

Largest Supplier of Electrical and Electronic Components

Click to view similar products for [Circuit Breaker Accessories](#) category:

Click to view products by [Siemens](#) manufacturer:

Other Similar products are found below :

[CSC-403PS](#) [8T1-D-11A](#) [8T1-E-125](#) [NEB10](#) [8C1-C-721](#) [8T1-E-275](#) [8T1-E-278](#) [506-11315-001](#) [3803221](#) [X10506BF](#) [9-1393249-0](#) [802-ESB50UL489](#) [XFPB-4](#) [30.329](#) [X22261102](#) [CX2.5/4/O](#) [618.6335.069](#) [BAC03](#) [JX2.5/4](#) [JX2.5/5](#) [HSP6/10U](#) [DB16/BU](#) [932146100](#)
[930120000](#) [601.1231.909](#) [600.6101.036](#) [3PRG1](#) [3PLBR4LU](#) [3803241](#) [351.5900.149](#) [311.2850.340](#) [2624.0](#) [17BSSV](#) [1-1423696-8](#)
[X20080104](#) [LS3-WH](#) [BAC12](#) [Y30028402](#) [30.617](#) [8T1-E-114](#) [SF06-5,08](#) [PLLA3](#) [G32S22](#) [2LP199](#) [ZG20-2](#) [3PSML401](#) [3PSML402](#)
[2LP219](#) [930109101](#) [930122000](#)