



cable-operated switch metal enclosure, 2 xM20 x1.5; 1 NO+1 NC, latching, ISO 13850 and button reset, for wire lengths up to 20 m

product brand name	SIRIUS
product designation	cable-operated switch
product type designation	3SE7
General technical data	
product function EMERGENCY STOP function	Yes
product component light source	No
insulation voltage rated value	400 V
degree of pollution	class 3
surge voltage resistance rated value	6 kV
protection class IP	IP65
mechanical service life (operating cycles) typical	100 000
thermal current	6 A
reference code according to IEC 81346-2	S
continuous current of the DIAZED fuse link gG	6 A
Substance Prohibitance (Date)	07/01/2006
Ambient conditions	
ambient temperature during operation	-25 ... +70 °C
number of NC contacts for auxiliary contacts	1
number of NO contacts for auxiliary contacts	1
operational current at AC-15	
• at 240 V rated value	6 A
• at 400 V rated value	6 A
operational current at DC-13	
• at 24 V rated value	3 A
• at 250 V rated value	0.27 A
Enclosure	
material of the enclosure	metal
material of the enclosure cover	Plastic
product component EMERGENCY STOP device	No
color	
• of the enclosure	black
• of the enclosure top part	grey
coating of the enclosure	painted
Display	
product function status display	Yes
circuit principle	Jump function
material of the contact	Silver
number of switching contacts safety-related	1
cable entry type	2x M20 x 1,5
Installation/ mounting/ dimensions	

fastening method	screw fixing
height	171 mm
width	52 mm
depth	54 mm

Connections/ Terminals

type of electrical connection	screw terminal
type of connectable conductor cross-sections	
<ul style="list-style-type: none"> • solid 	2x (0.5 ... 2.5 mm ²)
<ul style="list-style-type: none"> • finely stranded with core end processing 	2x (0.5 ... 2.5 mm ²)
<ul style="list-style-type: none"> • for AWG cables solid 	2x (20 ... 14)
<ul style="list-style-type: none"> • for AWG cables stranded 	2x (20 ... 14)

Safety related data

proportion of dangerous failures with high demand rate according to SN 31920	50 %
B10 value with high demand rate according to SN 31920	100 000

Approvals Certificates

General Product Approval



[Confirmation](#)



Marine / Shipping	other	Environment
-------------------	-------	-------------



[Confirmation](#)

[Environmental Confirmations](#)

Further information

Information on the packaging

<https://support.industry.siemens.com/cs/ww/en/view/109813875>

Information- and Downloadcenter (Catalogs, Brochures,...)

<https://www.siemens.com/ic10>

Industry Mall (Online ordering system)

<https://mall.industry.siemens.com/mall/en/en/Catalog/product?mlfb=3SE7150-1BD00>

Cax online generator

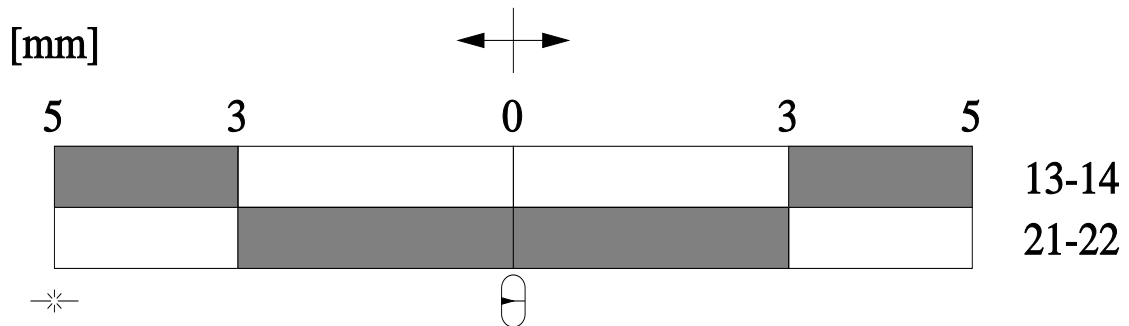
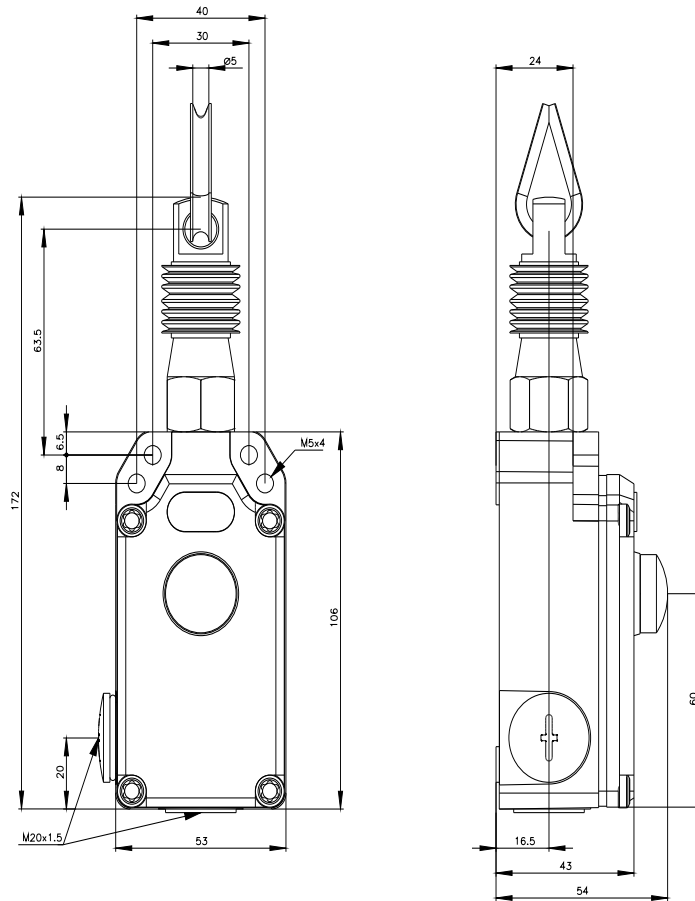
<http://support.automation.siemens.com/WW/CAXorder/default.aspx?lang=en&mlfb=3SE7150-1BD00>

Service&Support (Manuals, Certificates, Characteristics, FAQs,...)

<https://support.industry.siemens.com/cs/ww/en/ps/3SE7150-1BD00>

Image database (product images, 2D dimension drawings, 3D models, device circuit diagrams, EPLAN macros, ...)

http://www.automation.siemens.com/bilddb/cax_de.aspx?mlfb=3SE7150-1BD00&lang=en



➔ **Betätigungsrichtung / Travel**

⊕ **Mittelstellung / Middle position**

✱ **Seilriss / Rope rip**

■ **Schaltglied geschlossen / Contact element closed**

□ **Schaltglied geöffnet / Contact element open**

X-ON Electronics

Largest Supplier of Electrical and Electronic Components

Click to view similar products for [Cable Pull Switches](#) category:

Click to view products by [Siemens](#) manufacturer:

Other Similar products are found below :

[601.2831.022](#) [601.1831.134](#) [601.2831.023](#) [601.2441.907](#) [601.2821.150](#) [44506-7420](#) [44506-5020](#) [44506-5480](#) [XY2CH13270](#)
[XY2CH13270H29](#) [XY2CH13250H7](#) [XY2CJS15](#) [XY2CJL15](#) [XY2CJR15](#) [XY2CJS17](#) [XY2CJS17H29](#) [XY2CJS19](#) [XY2CJS19H29](#) [44506-4120](#) [1CPSA3A](#) [44506-4010](#) [44506-4110](#) [44506-4130](#) [44506-5010](#) [RP-LM40D-6](#) [RP-LM40D-6L](#) [RP-LS42F-75L](#) [RP-LS42F-75LE](#) [RP-QMT72D-20L](#) [RP-QM90F-100L](#) [RP-RM83F-75LT](#) [RP-RM83F-38LRE](#) [RP-RM83F-38LTE](#) [RP-RM83F-38LT](#) [RP-RM83F-75LTE](#) [1CPSA1](#)
[1CPSA1A](#) [1CPSA1B](#) [1CPSA2](#) [1CPSA2A](#) [1CPSA2B](#) [1CPSA3](#) [1CPSA5](#) [1CPSA6A](#) [1CPSC1](#) [1CPSC2](#) [1CPSC2A](#) [2CPSA1A1](#) [2CPSA1A1A](#)
[2CPSA1A1B](#)