

metric screw connection M20 with hexagon nut for enclosure



| | |
|---|---|
| product brand name | SIRIUS ACT |
| product designation | Metric cable gland |
| design of the product | M20 for round cable and enclosures with 1 to 3 command points |
| product type designation | 3SU1 |
| Enclosure | |
| cable sheath diameter connectable | 5 ... 12 mm |
| General technical data | |
| protection class IP | IP66, IP67, IP69(IP69K) |
| Substance Prohibittance (Date) | 10/01/2014 |
| Ambient conditions | |
| ambient temperature | |
| • during operation | -25 ... +70 °C |
| • during storage and transport | -40 ... +80 °C |
| Installation/ mounting/ dimensions | |
| height | 29.7 mm |
| width | 29.7 mm |
| mounting height | 31 mm |
| installation depth | 13 mm |
| Accessories | |
| material of accessory | Plastic |
| color of accessory | black |

| | | |
|--------------------------------|--------------------------|---------------------------|
| Certificates/ approvals | General Product Approval | Declaration of Conformity |
|--------------------------------|--------------------------|---------------------------|



[Confirmation](#)



| | |
|--------------------------|--------------------------|
| Test Certificates | Marine / Shipping |
|--------------------------|--------------------------|

[Type Test Certificates/Test Report](#)

[Special Test Certificate](#)



| | |
|--------------|--------------------|
| other | Environment |
|--------------|--------------------|

[Confirmation](#)

[Environmental Con-](#)

Further information

Siemens has decided to exit the Russian market (see here).

<https://press.siemens.com/global/en/pressrelease/siemens-wind-down-russian-business>

Siemens is working on the renewal of the current EAC certificates.

Please contact your local Siemens office on the status of validity of the EAC certification if you intend to import or offer to supply these products to an EAC relevant market (other than the sanctioned EAEU member states Russia or Belarus).

Information on the packaging

<https://support.industry.siemens.com/cs/ww/en/view/109813875>

Information- and Downloadcenter (Catalogs, Brochures,...)

<https://www.siemens.com/ic10>

Industry Mall (Online ordering system)

<https://mall.industry.siemens.com/mall/en/en/Catalog/product?mlfb=3SU1900-0HG10-0AA0>

Cax online generator

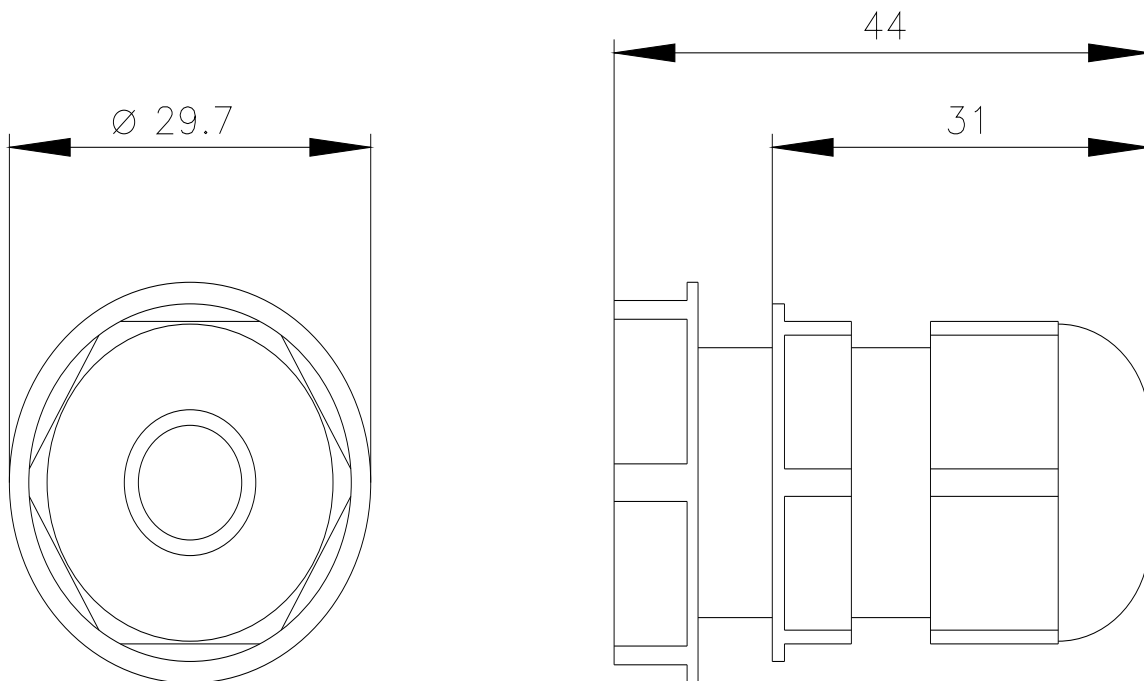
<http://support.automation.siemens.com/WW/CAXorder/default.aspx?lang=en&mlfb=3SU1900-0HG10-0AA0>

Service&Support (Manuals, Certificates, Characteristics, FAQs,...)

<https://support.industry.siemens.com/cs/ww/en/ps/3SU1900-0HG10-0AA0>

Image database (product images, 2D dimension drawings, 3D models, device circuit diagrams, EPLAN macros, ...)

http://www.automation.siemens.com/bilddb/cax_de.aspx?mlfb=3SU1900-0HG10-0AA0&lang=en



last modified:

3/30/2022

X-ON Electronics

Largest Supplier of Electrical and Electronic Components

Click to view similar products for [Cable Glands, Strain Reliefs & Cord Grips](#) category:

Click to view products by [Siemens](#) manufacturer:

Other Similar products are found below :

[1300980012](#) [1300980105](#) [DBZM-6828](#) [1498](#) [15190-103 R2](#) [300623](#) [07402002](#) [VC-M-KV-PG16 1X3/1X8](#) [5525](#) [35935](#) [35882](#) [M4340GAE](#)
[4597](#) [NG-9516 Gasket](#) [52006157](#) [52006176](#) [BM4963L](#) [53629556](#) [53629570](#) [53629675](#) [52025230](#) [52024853](#) [52103160](#) [52115810](#)
[53017640](#) [53019051](#) [53112270](#) [53112330](#) [53112860](#) [53112879](#) [53112929](#) [53111470](#) [53015270](#) [53015090](#) [53018090](#) [PG-29](#) [36680](#) [36681](#)
[36550](#) [35226](#) [35228](#) [36382](#) [36310](#) [35231](#) [36818](#) [36302](#) [36827](#) [37102-90](#) [35203](#) [35098](#)