



power relay, AC-3, 8.4 A, 4 kW / 400 V, 3-pole, 24 V AC, 45-450 Hz, auxiliary contacts: 1 NC, screw terminal

consumed active power	4 W
reference code according to IEC 81346-2	K
Substance Prohibittance (Date)	07/01/2006
ambient temperature during operation	-25 ... +55 °C
number of poles	4
number of NO contacts for main contacts	3
number of NC contacts for main contacts	0
type of voltage	AC
operational current	
• at AC-1 at 400 V rated value	20 A
• at AC-3 at 400 V rated value	8.4 A
• at AC-3e at 400 V rated value	6.4 A
operating power	
• at AC-3 at 400 V rated value	4 kW
• at AC-3e at 400 V rated value	3 W
control supply voltage at AC	
• at 50 Hz rated value	24 ... 24 V
• at 60 Hz rated value	24 ... 24 V
supply voltage frequency for auxiliary and control circuit rated value	45 ... 450 Hz
number of NC contacts for auxiliary contacts	1
number of NO contacts for auxiliary contacts	0
number of CO contacts for auxiliary contacts	0
fastening method	screw and snap-on mounting onto 35 mm DIN rail
• side-by-side mounting	Yes
height	62 mm
width	36 mm
depth	60 mm
type of electrical connection	
• for main current circuit	screw-type terminals
• for auxiliary and control circuit	screw-type terminals

### Safety related data

protection class IP on the front according to IEC 60529	IP00
---	------

### Certificates/ approvals

General Product Approval	Declaration of Conformity
--------------------------	---------------------------



[Confirmation](#)



Declaration of Conformity	Test Certificates	other	
---------------------------	-------------------	-------	--



EG-Konf.

[Special Test Certificate](#)

[Type Test Certificates/Test Report](#)

[Confirmation](#)



[Confirmation](#)

**Further information**

Siemens has decided to exit the Russian market (see here).

<https://press.siemens.com/global/en/pressrelease/siemens-wind-down-russian-business>

Siemens is working on the renewal of the current EAC certificates.

Please contact your local Siemens office on the status of validity of the EAC certification if you intend to import or offer to supply these products to an EAC relevant market (other than the sanctioned EAEU member states Russia or Belarus).

Information on the packaging

<https://support.industry.siemens.com/cs/ww/en/view/109813875>

Information- and Downloadcenter (Catalogs, Brochures,...)

<https://www.siemens.com/ic10>

Industry Mall (Online ordering system)

<https://mall.industry.siemens.com/mall/en/en/Catalog/product?mlfb=3TG1001-0AC2>

Cax online generator

<http://support.automation.siemens.com/WW/CAXorder/default.aspx?lang=en&mlfb=3TG1001-0AC2>

Service&Support (Manuals, Certificates, Characteristics, FAQs,...)

<https://support.industry.siemens.com/cs/ww/en/ps/3TG1001-0AC2>

Image database (product images, 2D dimension drawings, 3D models, device circuit diagrams, EPLAN macros, ...)

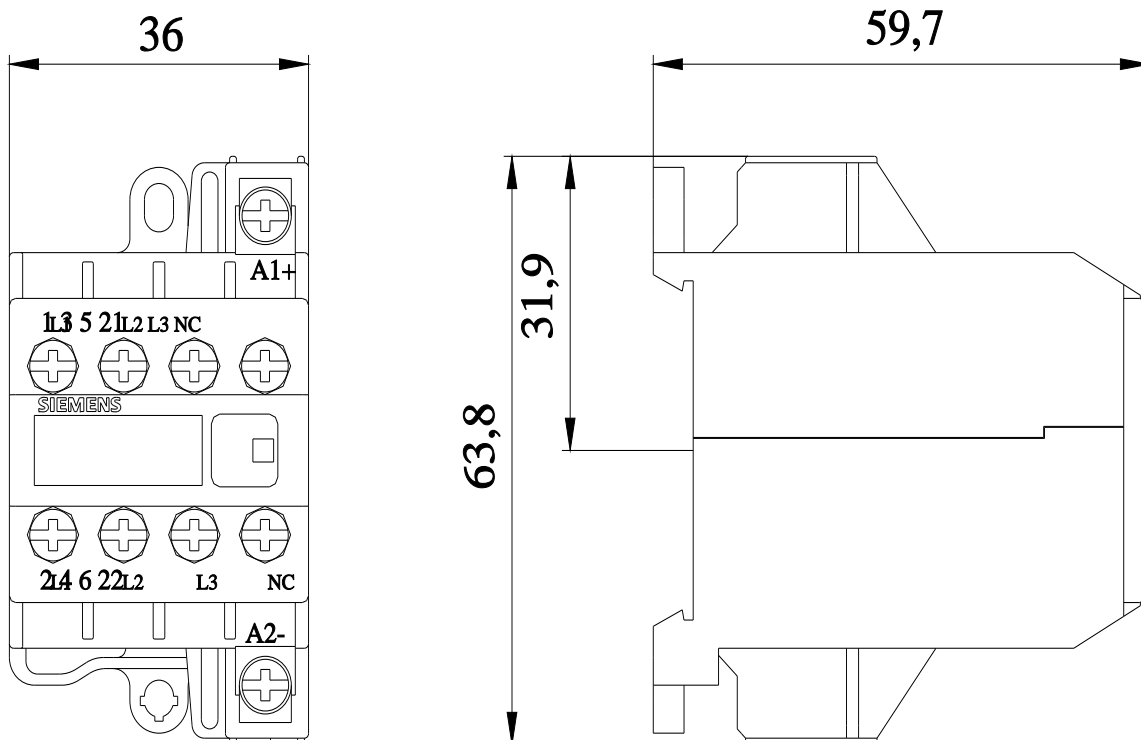
[http://www.automation.siemens.com/bilddb/cax\\_de.aspx?mlfb=3TG1001-0AC2&lang=en](http://www.automation.siemens.com/bilddb/cax_de.aspx?mlfb=3TG1001-0AC2&lang=en)

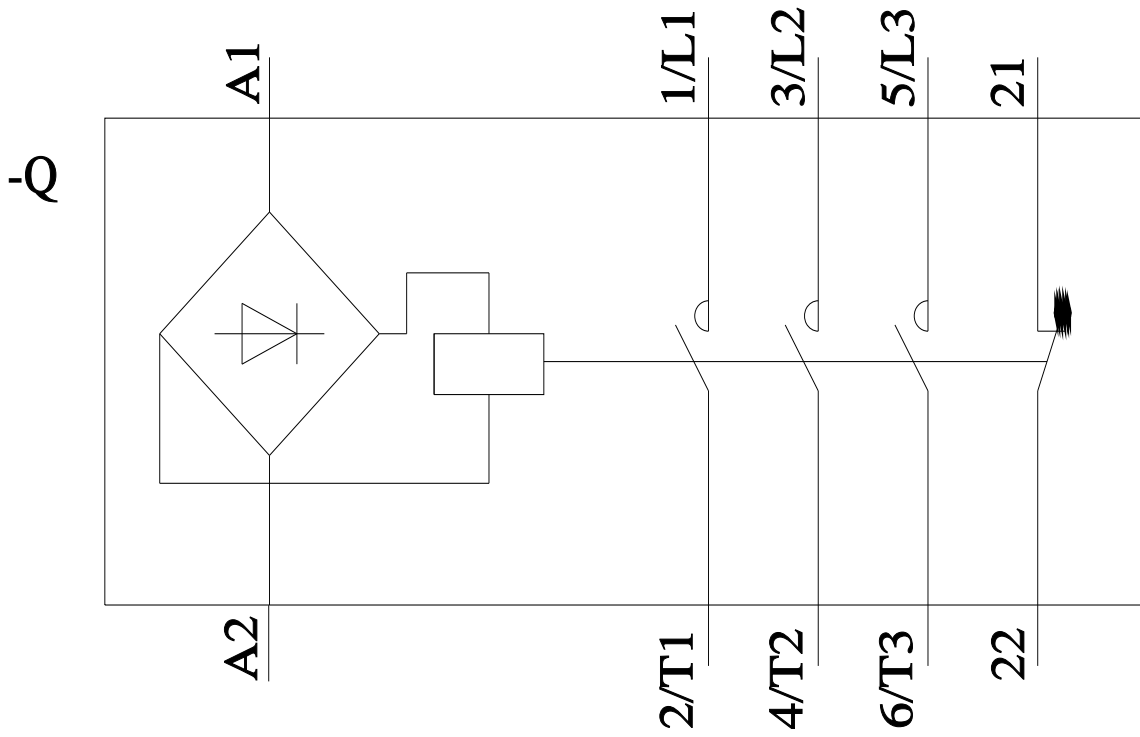
Characteristic: Tripping characteristics, I<sub>t</sub>, Let-through current

<https://support.industry.siemens.com/cs/ww/en/ps/3TG1001-0AC2/char>

Further characteristics (e.g. electrical endurance, switching frequency)

<http://www.automation.siemens.com/bilddb/index.aspx?view=Search&mlfb=3TG1001-0AC2&objecttype=14&gridview=view1>





last modified:

11/21/2022

## X-ON Electronics

Largest Supplier of Electrical and Electronic Components

*Click to view similar products for* [Contactors - Solid State category:](#)

*Click to view products by* [Siemens manufacturer:](#)

Other Similar products are found below :

[14JU+32AA](#) [RGC1A23D15KKE](#) [RGC1A60D25KKE](#) [RGC1A60D30KGU](#) [RGC1A60D30KKE](#) [RGC1A60D40KGE](#) [RGC2A60D25KKE](#)  
[RGC2P60V25C1DM](#) [3TG1010-0AL2](#) [3TG1010-0BB4](#) [3TG1010-1AL2](#) [3TG1001-0AC2](#) [3TG1001-1AL2](#) [3TH4244-0AP0](#)  
[RGC1A23A15KKE](#) [RGC1A60D25KGU](#) [DRC3P48C411R2](#) [DRC3P48D433R](#) [G3J-T211BL-C DC12-24](#) [DRA4D250E6](#) [G3PE-215B-3N](#)  
[DC12-24](#) [DRC3P48A411R](#) [G3PE-245B-2 DC12-24](#) [G3J-T217BL-C AC100-240](#) [G3J-205BL DC12-24](#) [GNR10DCZ](#) [GNR30DCR](#) [G3PE-](#)  
[515B-3 DC12-24](#) [G3PE-225B-3 DC12-24](#) [G3PE-535B-2N DC12-24](#) [G3PE-215B-2H DC12-24](#) [DP4RSC60E60](#) [DRH3P60A20](#) [GNR45DCZ](#)  
[DP4R60D60B2](#) [DRC3R40E440](#) [DP4RSA60E40B](#) [DRH3P60A20R](#) [DRH3P60D20R](#) [DRC3P48D4112](#) [DRC3P48D433](#) [DRC3P48D4002](#)  
[DP4RSC60E40](#) [RGC1A23D25KGU](#) [RGC3A60A20KKE](#) [3RF2410-1AC45](#) [3RF2430-1AC45](#) [3TH4244-0BB4](#) [3TH4271-0BB4](#) [3TH4262-](#)  
[0BB4](#)