

Industrial thermometers type 271, 291, 174 HBZ, 272, 292, 175 WBZ

Fixed male thread // Nominal size 200, 150, 110 // Aluminium painted



271 HBZ



292 WBZ



Highlights

- Accuracy according to DIN 16195
- No aging - no moving parts and no mechanical wear
- Lifetime warranty*
- Series production for large volume use
- Completely without electrical auxiliary energy

Technical data

Type	271 HBZ	272 WBZ	291 HBZ	292 WBZ	174 HBZ	175 WBZ
Standard	DIN 16181 bis 16190					
Version	Straight	Angle 90°	Straight	Angle 90°	Straight	Angle 90°
Dimensions Housing	200 x 36 mm		150 x 36 mm		110 x 36 mm	
Measuring range according to DIN	Between -30...200 °C					
Error limits according to DIN 16195	-30...100 °C = 2 °C 0...120 °C = 2 °C 0...200 °C = 4 °C		-30...120 °C = 2 °C 0...160 °C = 4 °C		2 °C	
Medium / Application	Liquid and gaseous media					
Immersion tube length	Between 63...250 mm					
Immersion tube diameter	Ø 10 mm					
Process connection	Fixed male thread G½					
Pressure rating**	→ Immersion tube brass, brazed → Immersion tube stainless steel, welded					
	PN 16 PN 35					
Medium temperature	See selected measurement range					
Ambient temperature	-20...160 °C					
Storage temperature	-40...100 °C					

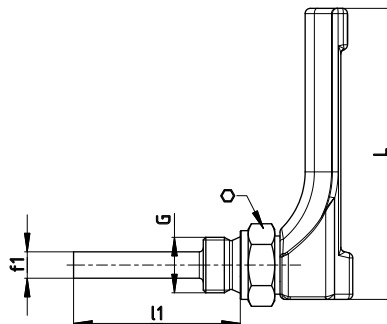
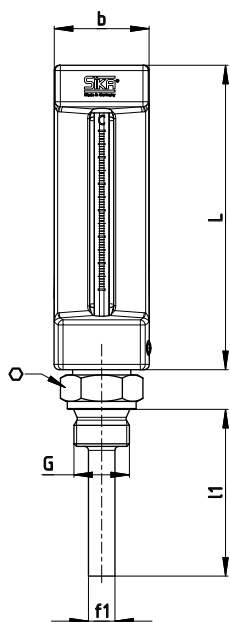
* Except glass breakage and improper installation.

** Non-binding guideline - For higher pressure loads, additional protection tubes have to be used.

Technical drawings // Dimensions

Type 271 HBZ / 291 HBZ / 174 HBZ

Type 272 WBZ / 292 WBZ / 175 WBZ



Dimensions [mm]

	L	f ₁	b	l ₁	G / ∅ Width across flats
271 HBZ / 272 WBZ	200	∅ 10	36	63	G _{1/2} / SW27
291 HBZ / 292 WBZ	150		36	100	
174 HBZ / 175 WBZ	110		36	250	

Materials

Material

Not in contact with media

Housing	die-cast aluminium, gold painted
Thermometer capillary	Prismatic capillary tube of solid glass, bar-shaped, diameter approx. ∅ 6 mm, scale permanently burnt in
Thermometer filling → Blue	Petroleum

In contact with media

Process connection	see immersion tube material
Immersion tube material → Standard → Optional	Brass, brazed Stainless steel, welded

Article numbers

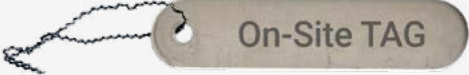
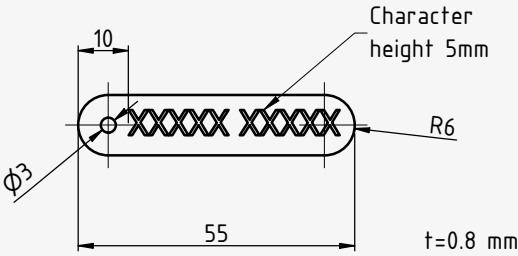
Order code												
Version												
Nominal size 200												
Gold-coloured, Straight immersion tube (HBZ)					271 8							
Gold-coloured, Angle 90° (WBZ)					272 4							
Nominal size 150												
Gold-coloured, Straight (HBZ)					291 8							
Gold-coloured, Angle 90° (WBZ)					292 4							
Nominal size 110												
Gold-coloured, Straight (HBZ)					174 8							
Gold-coloured, Angle 90° (WBZ)					175 4							
Display ranges												
-30...50 °C					35							
-10...50 °C					04							
0...60 °C					06							
0...100 °C					10							
0...120 °C					12							
0...160 °C					16							
0...200 °C					20							
Scale												
Celsius °C					1							
Thermometer filling												
Blue					1							
Immersion tube length (l1)												
63 mm					063							
100 mm					100							
160 mm					160							
250 mm					250							
Process connection												
G½ / SW27 (other threads on request)					2							
Immersion tube material												
Brass					1							
Stainless steel					3							
Example order number					271	8	35	1	1	063	2	1

Note minimum order quantities.

BEST SELLER										
Type		Immersion tube length (l1)	Order number							
291 HBZ	Straight type, 0...120 °C with fixed male thread G½, Immersion tube brass	63 mm	291	8	12	1	1	063	2	1
		100 mm	291	8	12	1	1	100	2	1
292 WBZ	Angle type, 0...120 °C with fixed male thread G½, Immersion tube brass	63 mm	292	4	12	1	1	063	2	1
		100 mm	292	4	12	1	1	100	2	1

Note minimum order quantities.

Accessories

Accessories	Article number
<p>Measuring point designation Laser-inscribed stainless steel plate with fixing wire for easy attachment to measuring points</p> <ul style="list-style-type: none">→ Scope of delivery: Designation plate inscribed according to specification and enclosed fixing wire (sealing wire)→ Fastening: Wire (included in delivery), alternatively sealing, cable ties or similar (not included in delivery)→ Materials: Plate stainless steel 1.4571, wire stainless steel→ Dimensions: Plate 55 x 10 x 0.8 mm, wire length 180 mm→ Inscription: one-sided, single-line, max. 11 characters, character height 5 mm, designation width max. 40 mm, letters, numbers, symbols, barcodes, QR codes→ Transmission of designations: digital list, file formats Excel, Word or CSV  	<p>ONSITETAG</p>

X-ON Electronics

Largest Supplier of Electrical and Electronic Components

Click to view similar products for [Temperature Controllers](#) category:

Click to view products by [SIKA](#) manufacturer:

Other Similar products are found below :

[E5C4Q40J999FAC120](#) [E5GNR03PFLKAC100240](#) [E53-Q3](#) [E5DC-RX2DSM-002](#) [E5LD-6C AC100V](#) [E5AN-HPRR2BM-500 AC100-240](#)
[E5AR-C4B AC100-240](#) [NX-TS2201](#) [E5GC-QX1D6M-015](#) [E5AN-HTAA3BFMD-500AC/DC24](#) [E5GC-QX2ACM-015](#) [NX-TS3102](#) [TK4W-](#)
[22RN](#) [TK4W-T4RN](#) [TK4H-24CN](#) [SCL250D-EM010](#) [AR663.B/P/P/P/WA/RS485](#) [AR663.B/P/P/S/WA](#) [TK4W-14RR](#) [ZAD-IP67](#)
[AR663.B/P/P/P/WU](#) [SCL13L-EM000](#) [2918121116021](#) [2918041110021](#) [2918121110021](#) [2924121106321](#) [TK4M-12CN](#) [TK4H-T4RN](#)
[TK4M-24CN](#) [AR663.B/P/P/P/WA](#) [AR662.B/P/P/P/WA](#) [TK4H-B4CN](#) [TK4H-A4RC](#) [2924161106321](#) [TK4M-24RR](#) [TM4-N2RE](#) [TM4-N2SE](#)
[SCL250L-EM010](#) [2918121106321](#) [E53-R](#) [E53-CN03N2](#) [E5EC-QX4DBM-000](#) [2897952](#) [E5DCQX2DSM-017](#) [E5DCCX2ASM-016](#)
[E5DCCX0ASM-015](#) [E5DCQX2DSM-002](#) [EJ1N-TC4A](#) [AKT7211100](#) [AR247/1/P/P/P/WA](#)