

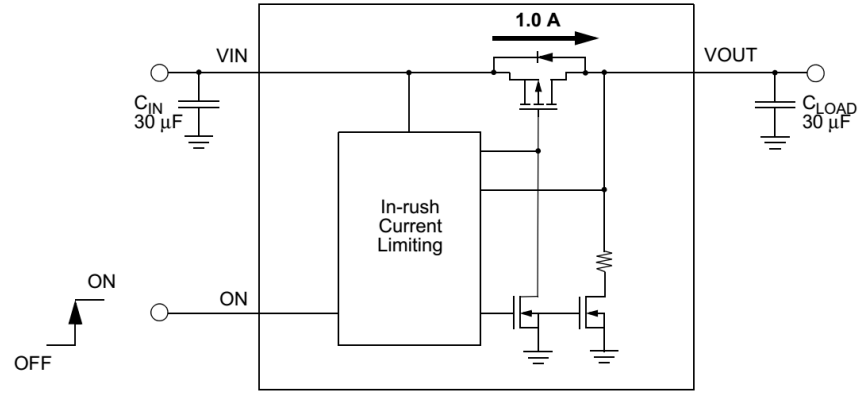
**Figure 4. SLG59M1730C Connection Circuit**

**Content**

1. Description
2. Power and Ground Planes
3. Basic Test Setup and Connections

**Description**

The SLG59M1730C is a 29 mΩ, ~ 1 A single-channel load switch that is able to switch 2.5 V to 5.5 V power rails. The product is packaged in an ultra-small 0.8 x 0.8 mm package.

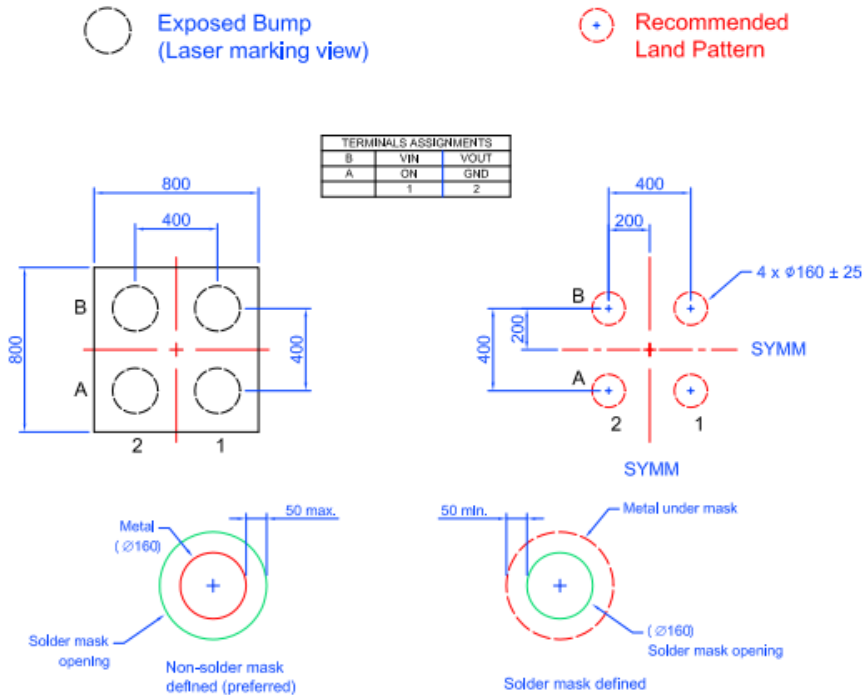


**Figure 1: SLG59M1730C Block Diagram**

This layout guide provides some important information about the PCB layout of SLG59M1730C applications.

### SILEGO WLCSP 0.8x0.8-4L PKG

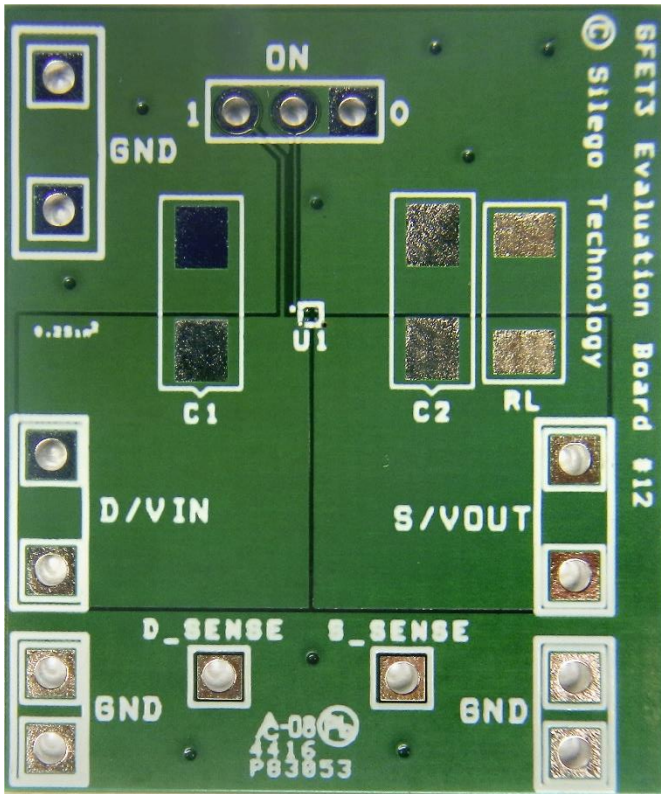
Unit: um



**Figure 2. SLG59M1730C Package Dimensions and Recommended Land Pattern**

## 2. Power and Ground Planes

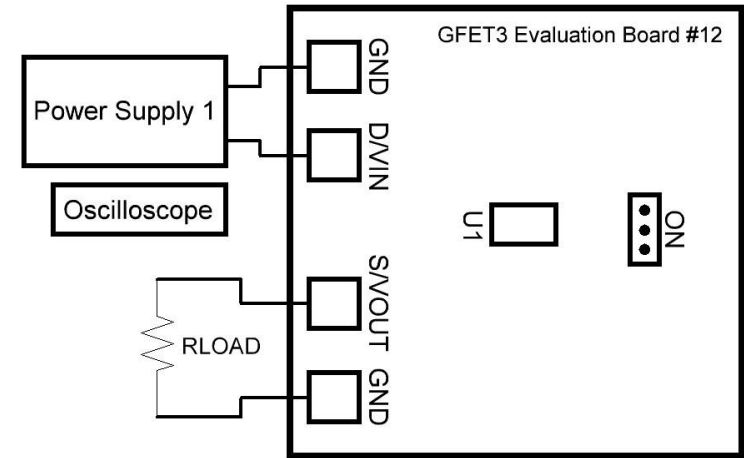
- 2.1. The trace length from the control IC to the ON pin (PIN1) should be as short as possible and must avoid crossing this trace with power rails.
- 2.2. The D/VIN and S/VOUT pins carry significant current. Please note how the D/VIN and S/VOUT pads are placed directly on the power planes in Figure 3, which minimizes the  $RDS_{ON}$  associated with long, narrow traces. The D/VIN, S/VOUT and GND pins dissipate most of the heat generated during high-load current condition. The layout shown in Figure 3 is illustrating a proper solution for heat to transfer as efficiently as possible out of the device.
- 2.3. The GND pin (A2) should be connected to GND.
- 2.4. 2 oz. copper is recommended for higher currents.



**Figure 3. SLG59M1730C Evaluation Test Board**

Note: Evaluation board has D\_Sense and S\_Sense pads. Please use them only for RDS(ON) evaluation.

### 3. Basic Test Setup and Connections



**Figure 5. Typical connections for GFET3 Evaluation**

#### 3.1 EVB Configuration

1. Connect oscilloscope probes to D/VIN, S/VOUT, ON, etc.
2. Turn ON Power Supply and set desirable  $V_{IN}$  in range of 2.5 to 5.5 V.
3. Switch ON to High or Low to evaluate GFET3 operation.

## X-ON Electronics

Largest Supplier of Electrical and Electronic Components

*Click to view similar products for [Power Management IC Development Tools](#) category:*

*Click to view products by [Silego](#) manufacturer:*

Other Similar products are found below :

[EVAL6482H-DISC](#) [EVAL-AD5522EBUZ](#) [EVAL-ADM1060EBZ](#) [EVAL-ADM1073MEBZ](#) [EVAL-ADM1166TQEBZ](#) [EVAL-ADM1168LQEBZ](#) [EVAL-ADM1171EBZ](#) [EVAL-ADM1276EBZ](#) [EVB-EN5319QI](#) [EVB-EN5365QI](#) [EVB-EN6347QI](#) [EVB-EP5348UI](#) [MIC23158YML EV](#) [MIC23451-AAAYFL EV](#) [MIC5281YMME EV](#) [124352-HMC860LP3E](#) [ADM00513](#) [ADM8611-EVALZ](#) [ADM8612-EVALZ](#) [ADM8613-EVALZ](#) [ADM8615-EVALZ](#) [ADP1046ADC1-EVALZ](#) [ADP1055-EVALZ](#) [ADP122-3.3-EVALZ](#) [ADP130-0.8-EVALZ](#) [ADP130-1.2-EVALZ](#) [ADP130-1.5-EVALZ](#) [ADP130-1.8-EVALZ](#) [ADP160UJZ-REDYKIT](#) [ADP166UJ-EVALZ](#) [ADP1712-3.3-EVALZ](#) [ADP1714-3.3-EVALZ](#) [ADP1715-3.3-EVALZ](#) [ADP1716-2.5-EVALZ](#) [ADP1740-1.5-EVALZ](#) [ADP1752-1.5-EVALZ](#) [ADP1754-1.5-EVALZ](#) [ADP1828LC-EVALZ](#) [ADP1870-0.3-EVALZ](#) [ADP1871-0.6-EVALZ](#) [ADP1873-0.6-EVALZ](#) [ADP1874-0.3-EVALZ](#) [ADP1876-EVALZ](#) [ADP1879-1.0-EVALZ](#) [ADP1882-1.0-EVALZ](#) [ADP1883-0.6-EVALZ](#) [ADP197CB-EVALZ](#) [ADP199CB-EVALZ](#) [ADP2102-1.25-EVALZ](#) [ADP2102-1.2-EVALZ](#)