



General Description

Silego SLG7NT4375 is a low power and small form device. The SoC is housed in a 1.6 x 1.6 mm STQFN package which is optimal for using with small devices.

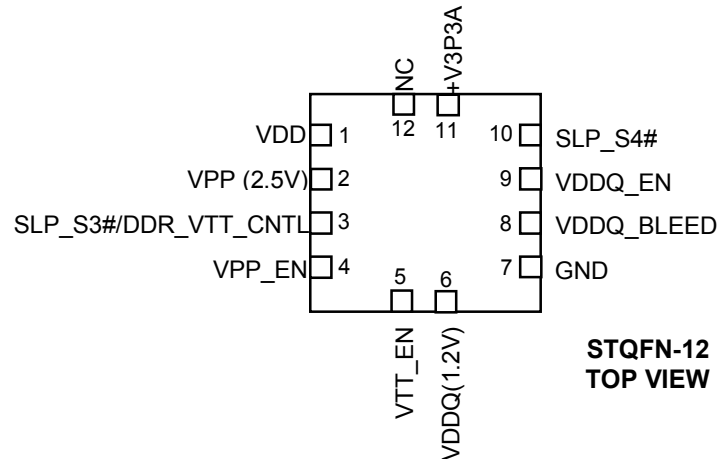
Features

- Low Power Consumption
- Pb-Free / RoHS Compliant
- Halogen-Free
- STQFN-12 Package
- MSL “1”

Output Summary

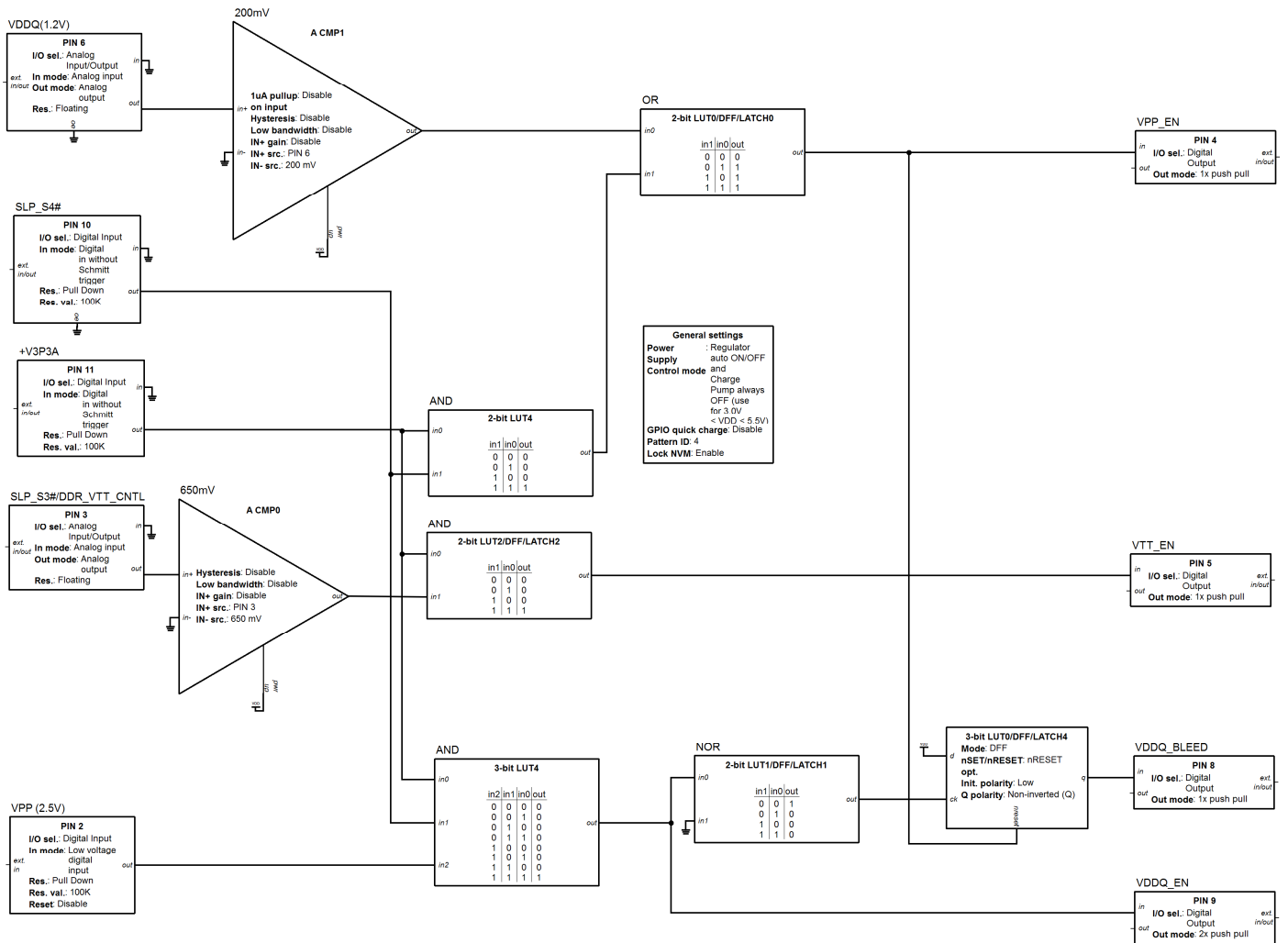
- 3 Outputs — Push Pull 1X
- 1 Output — Push Pull 2X

Pin Configuration





Block Diagram





Pin Configuration

Pin #	Pin Name	Type	Pin Description
1	VDD	PWR	Supply Voltage
2	VPP (2.5V)	Digital Input	Low Voltage Digital input
3	SLP_S3#/DDR_VTT_CNTL	Analog Input/Output	Analog Input/Output
4	VPP_EN	Digital Output	Push Pull 1X
5	VTT_EN	Digital Output	Push Pull 1X
6	VDDQ(1.2V)	Analog Input/Output	Analog Input/Output
7	GND	GND	Ground
8	VDDQ_BLEED	Digital Output	Push Pull 1X
9	VDDQ_EN	Digital Output	Push Pull 2X
10	SLP_S4#	Digital Input	Digital Input without Schmitt trigger
11	+V3P3A	Digital Input	Digital Input without Schmitt trigger
12	NC	--	Keep Floating or Connect to GND

Ordering Information

Part Number	Package Type
SLG7NT4375V	V=STQFN-12
SLG7NT4375VTR	STQFN-12 – Tape and Reel (3k units)



Absolute Maximum Conditions

Parameter	Min.	Max.	Unit
V _{HIGH} to GND	-0.3	7	V
Voltage at input pins	-0.3	7	V
Current at input pin	-1.0	1.0	mA
Storage temperature range	-65	150	°C
Junction temperature	--	150	°C

Electrical Characteristics

(@ 25°C, unless otherwise stated)

Symbol	Parameter	Condition/Note	Min.	Typ.	Max.	Unit
V _{DD}	Supply Voltage		3	3.3	3.6	V
T _A	Operating Temperature		-40	25	85	°C
I _Q	Quiescent Current	Static inputs and outputs	--	70	--	µA
V _O	Maximal Voltage Applied to any PIN in High-Impedance State		--	--	VDD	V
I _O	Maximal Average or DC Current	Per Each Chip Side	--	--	90	mA
V _{IH}	HIGH-Level Input Voltage	Logic Input, at VDD=3.3V	1.4	--	VDD	V
		Low-Level Logic Input, at VDD=3.3V	0.91	--	VDD	
V _{IL}	LOW-Level Input Voltage	Logic Input, at VDD=3.3V	--	--	1.65	V
		Low-Level Logic Input, at VDD=3.3V	--	--	0.95	
I _{IH}	HIGH-Level Input Current	Logic Input PINs; V _{IN} = VDD	-1.0	--	1.0	µA
I _{IL}	LOW-Level Input Current	Logic Input PINs; V _{IN} = 0V	-1.0	--	1.0	µA
V _{OH}	HIGH-Level Output Voltage	Push Pull, I _{OH} = 3mA, 1X Driver, at VDD=3.3 V	2.73	3.13	--	V
		Push Pull, I _{OH} = 3mA, 2X Driver, at VDD=3.3 V	2.87	3.22	--	
V _{OL}	LOW-Level Output Voltage	Push Pull, I _{OL} = 3mA, 1X Driver, at VDD=3.3 V	--	0.15	0.28	V
		Push Pull, I _{OL} = 3mA, 2X Driver, at VDD=3.3 V	--	0.07	0.13	
I _{OH}	HIGH-Level Output Current	Push Pull & PMOS OD, V _{OH} = 2.4 V, 1X Driver, at VDD=3.3 V	6.01	12.07	--	mA
		Push Pull & PMOS OD, V _{OH} = 2.4 V, 2X Driver, at VDD=3.3 V	12.01	24.13	--	
I _{OL}	LOW-Level Output Current	Push Pull, V _{OL} = 0.4V, 1X Driver, at VDD=3.3 V	4.06	6.92	--	mA
		Push Pull, V _{OL} = 0.4V, 2X Driver, at VDD=3.3 V	8.13	13.84	--	
V _{ACMP0}	Analog Comparator Threshold Voltage	ACMP0 threshold including input offset, reference voltage variation and hysteresis.	620	--	677	mV
V _{ACMP1}	Analog Comparator Threshold Voltage	ACMP1 threshold including input offset, reference voltage variation and hysteresis.	186	--	214	mV
T _{SU}	Start up Time	From VDD rising past 1.6V	--	1	--	ms



Functionality Waveforms

Channel 1 (yellow/top line) – PIN#3 (SLP_S3#/DDR_VTT_CNTL)

Channel 2 (light blue/2nd line) – PIN#6 (VDDQ(1.2V))

D0 – PIN#2 (VPP (2.5V))

D1 – PIN#11 (+V3P3A)

D2 – PIN#10 (SLP_S4#)

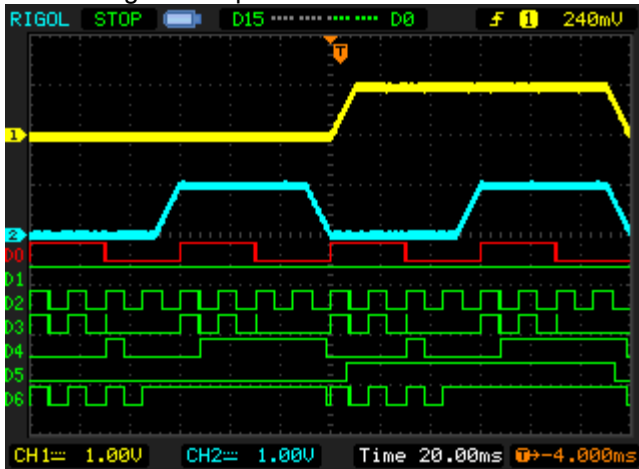
D3 – PIN#9 (VDDQ_EN)

D4 – PIN#8 (VDDQ_BLEED)

D5 – PIN#5 (VTT_EN)

D6 – PIN#4 (VPP_EN)

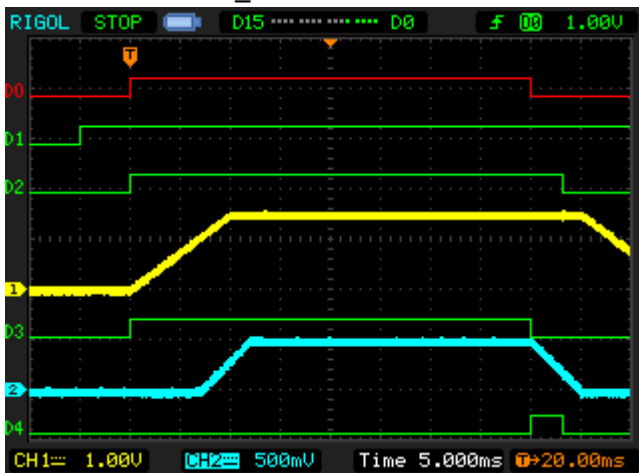
1. Device general operation





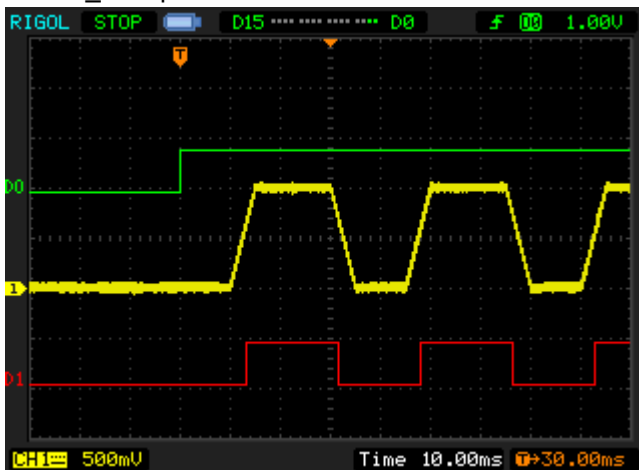
D0 – PIN#10 (SLP_S4#)
D1 – PIN#11 (+V3P3A)
D2 – PIN#4 (VPP_EN)
Channel 1 (yellow/top line) – PIN#3 (SLP_S3#/DDR_VTT_CNTL)
D3 – PIN#9 (VDDQ_EN)
Channel 2 (light blue/2nd line) – PIN#6 (VDDQ(1.2V))
D4 – PIN#8 (VDDQ_BLEED)

2. Enable PIN: SLP_S4#



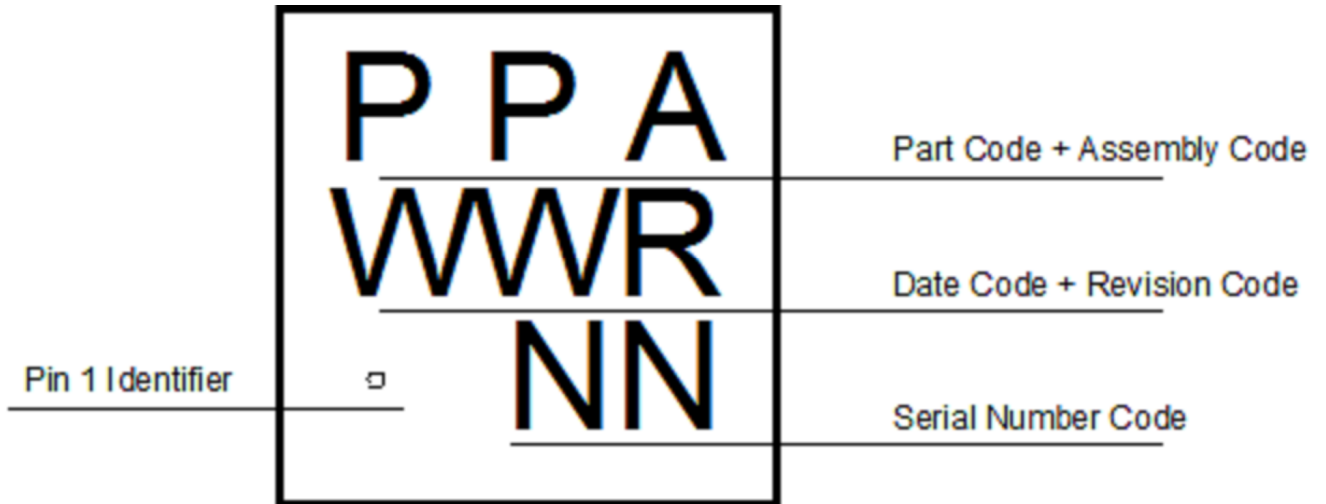
D0 – PIN#11 (+V3P3A)
Channel 1 (yellow/top line) – PIN#3 (SLP_S3#/DDR_VTT_CNTL)
D1 – PIN#5 (VTT_EN)

3. VTT_EN operation





Package Top Marking



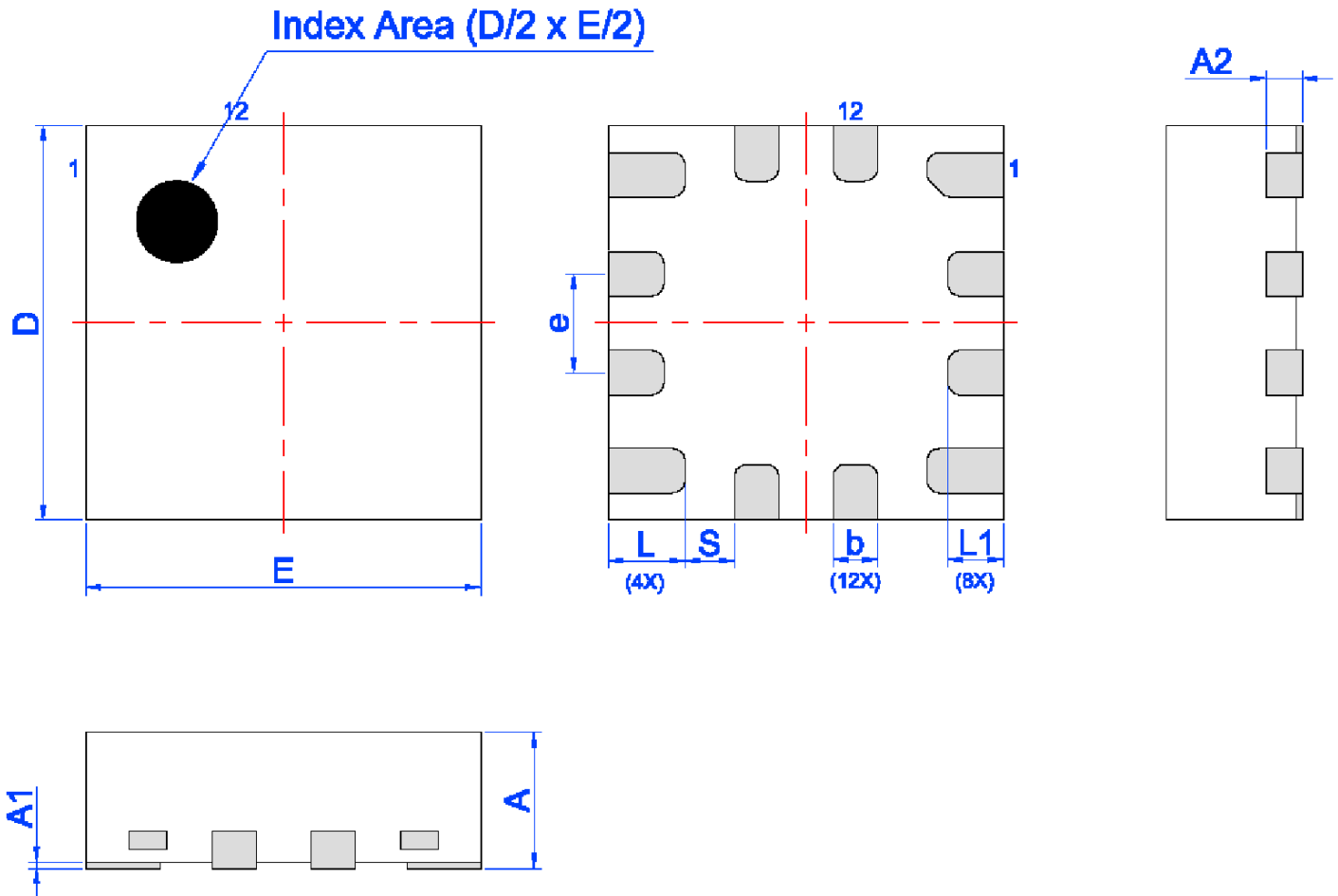
Datasheet Revision	Programming Code Number	Locked Status	Part Code	Revision	Date
1.01	004	L	YV	B	02/23/2015

The IC security bit is locked/set for code security for production unless otherwise specified. Revision number is not changed for bit locking.



Package Drawing and Dimensions

12 Lead STQFN Package JEDEC MO-220



Unit: mm

Symbol	Min	Nom.	Max	Symbol	Min	Nom.	Max
A	0.50	0.55	0.60	D	1.55	1.60	1.65
A1	0.005	-	0.060	E	1.55	1.60	1.65
A2	0.10	0.15	0.20	L	0.26	0.31	0.36
b	0.13	0.18	0.23	L1	0.175	0.225	0.275
e	0.40 BSC			S	0.2 REF		



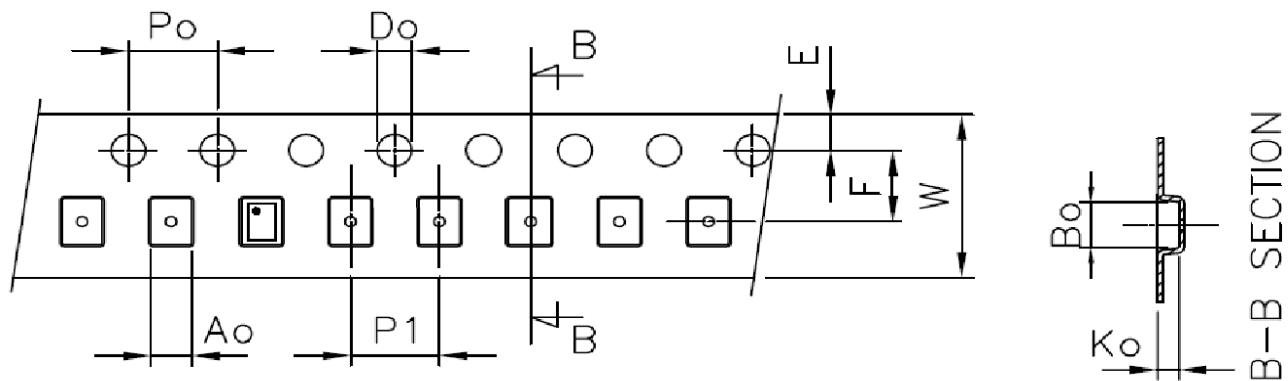
Tape and Reel Specification

Package Type	# of Pins	Nominal Package Size (mm)	Max Units		Reel & Hub Size (mm)	Trailer A		Leader B		Pocket (mm)	
			per reel	per box		Pockets	Length (mm)	Pockets	Length (mm)	Width	Pitch
STQFN 12L FCA 0.4P Green	12	1.6x1.6x0.55	3000	3000	178/60	100	400	100	400	8	4

Carrier Tape Drawing and Dimensions

Package Type	Pocket BTM Length (mm)	Pocket BTM Width (mm)	Pocket Depth (mm)	Index Hole Pitch (mm)	Pocket Pitch (mm)	Index Hole Diameter (mm)	Index Hole to Tape Edge (mm)	Index Hole to Pocket Center (mm)	Tape Width (mm)
	A0	B0	K0	P0	P1	D0	E	F	W
STQFN 12L FCA 0.4P Green	1.9	1.9	0.8	4	4	1.5	1.75	3.5	8

Refer to EIA-481 Specifications



Recommended Reflow Soldering Profile

Please see IPC/JEDEC J-STD-020: latest revision for reflow profile based on package volume of 1.408 mm³ (nominal). More information can be found at www.jedec.org.



Datasheet Revision History

Date	Version	Change
03/27/2014	0.10	New designSLG46120
03/28/2014	0.11	Corrected device functionality
04/02/2014	0.12	Change PIN5 name VTT to VTT_EN, correctedElectrical Characteristics
04/24/2014	0.13	Removed LATCH from VPP_EN, ACMP1 Vref changed to 200mV
04/28/2014	0.14	Added one more Functionality Waveform
05/05/2014	0.15	Added additional Functionality Waveforms
05/23/2014	0.16	Version update
07/25/2014	0.17	Updated Device Revision Table
08/25/2014	0.18	Added MSL "1" Renamed Package to FCA package
09/03/2014	0.19	Changed PIN11 name, updated functionality waveforms
09/05/2014	0.20	Removed one functionality waveform
09/25/2014	0.21	Updated Device Revision Table
10/02/2014	0.22	Changed Lock status
10/03/2014	0.23	Updated VIH, VIL logic levels
10/03/2014	0.24	Updated Device Revision Table
11/06/2014	1.00	Production Release
02/23/2015	1.01	Corrected VDDQ_EN output type



Silego Website & Support

Silego Technology Website

Silego Technology provides online support via our website at <http://www.silego.com/>. This website is used as a means to make files and information easily available to customers.

For more information regarding Silego Green products, please visit:

<http://greenpak.silego.com/>
<http://greenpak2.silego.com/>
<http://greenfet.silego.com/>
<http://greenfet2.silego.com/>
<http://greenclk.silego.com/>

Products are also available for purchase directly from Silego at the Silego Online Store at <http://store.silego.com/>.

Silego Technical Support

Datasheets and errata, application notes and example designs, user guides, and hardware support documents and the latest software releases are available at the Silego website or can be requested directly at info@silego.com.

For specific GreenPAK design or applications questions and support please send email requests to GreenPAK@silego.com

Users of Silego products can receive assistance through several channels:

Contact Your Local Sales Representative

Customers can contact their local sales representative or field application engineer (FAE) for support. Local sales offices are also available to help customers. More information regarding your local representative is available at the Silego website or send a request to info@silego.com

Contact Silego Directly

Silego can be contacted directly via e-mail at info@silego.com or user submission form, located at the following URL: <http://support.silego.com/>

Other Information

The latest Silego Technology press releases, listing of seminars and events, listings of worldwide Silego Technology offices and representatives are all available at <http://www.silego.com/>

THIS PRODUCT HAS BEEN DESIGNED AND QUALIFIED FOR THE CONSUMER MARKET. APPLICATIONS OR USES AS CRITICAL COMPONENTS IN LIFE SUPPORT DEVICES OR SYSTEMS ARE NOT AUTHORIZED. SILEGO TECHNOLOGY DOES NOT ASSUME ANY LIABILITY ARISING OUT OF SUCH APPLICATIONS OR USES OF ITS PRODUCTS. SILEGO TECHNOLOGY RESERVES THE RIGHT TO IMPROVE PRODUCT DESIGN, FUNCTIONS AND RELIABILITY WITHOUT NOTICE.

X-ON Electronics

Largest Supplier of Electrical and Electronic Components

Click to view similar products for [Specialty Function Logic category](#):

Click to view products by [Silego manufacturer](#):

Other Similar products are found below :

[SN74LVTH18514DGGR](#) [HMC706LC3C](#) [MAX996ESD+](#) [MC14490DWG](#) [MC14490DWR2G](#) [MST2219KC](#) [CD4007UBE](#) [CD4007UBM](#)
[SN74ABT18245ADL](#) [SN74ABT18245ADLR](#) [SN74ABT18640DL](#) [SN74ABT8543DL](#) [SN74ABT8543DW](#) [SN74ABT8646DL](#)
[SN74ABT8646DW](#) [SN74ABT8652DL](#) [SN74ABTH182502APM](#) [SN74ABTH18502APM](#) [SN74ABTH18504APM](#) [SN74ABTH18646APM](#)
[SN74ACT1071DR](#) [SN74ACT1073DW](#) [SN74ACT1073DWR](#) [SN74BCT8245ADWR](#) [SN74ACT8990FN](#) [SN74ACT8997DW](#)
[SN74BCT8244ADW](#) [SN74BCT8245ADW](#) [SN74BCT8374ADW](#) [BR262W26A103E1G](#) [MAX996EUD+](#) [SN74ABT8245DWG4](#)
[CD4007UBEE4](#) [CD4007UBM96](#) [CD4007UBMT](#) [CD4007UBPW](#) [CD4007UBPWR](#) [SN74ABT8245DW](#) [SN74LVT18512DGGR](#)
[SN74LVT8986PM](#) [SN74LVT8996PW](#) [SN74LVT8996PWR](#) [SN74LVTH182502APM](#) [SN74LVTH182512DGGR](#) [SN74LVTH18502APM](#)
[SN74LVTH18502APMR](#) [SN74LVTH18504APM](#) [SN74LVTH18512DGGR](#) [SN74LVTH18646APM](#)