

General Description

The SY21031 high-efficiency asynchronous step-down DC/DC regulator is using an adaptive constant off-time architecture, and can deliver 0.8A current over a wide input voltage range from 4.5V to 55V. It integrates a main switch with low $R_{DS(ON)}$ to minimize conduction loss.

The 1.2MHz switching frequency permits low output-voltage ripple and reduces the external inductor and capacitor sizes. The SY21031 also provides cycle-by-cycle current limiting and hiccup short-circuit protection.

The feedback resistors (R_H and R_L), the input capacitor C_{IN} , the output capacitor C_{OUT} , the output inductor L , along with the freewheeling Schottky diode D_1 , need to be selected for the targeted application.

The SY21031 is available in a compact SOT23-6 package.

Features

- 4.5V to 55V Input Voltage Range
- Up to 0.8A Output Current
- Low $R_{DS(ON)}$ for Internal N-Channel Power FET: 700m Ω
- 1.2MHz Pseudoconstant Switching Frequency
- Adaptive Constant Off-Time Control
- Internal Soft-Start Limits Inrush Current
- $\pm 1\%$ 0.6V Reference
- Hiccup Mode Short-Circuit Protection
- EN On/Off Control with Accurate Threshold
- Cycle-by-Cycle Peak Current Limit
- RoHS-Compliant and Halogen-Free
- Compact SOT23-6 Package

Applications

- Non-Isolated Telecommunication Buck Regulator
- Secondary High-Voltage Post Regulator
- Automotive Systems

Typical Application

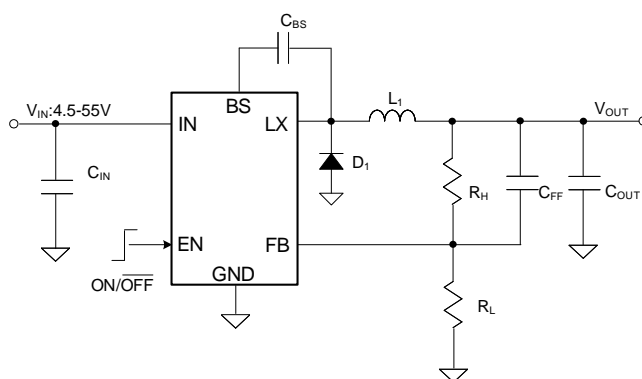


Figure 1. Typical Application Circuit

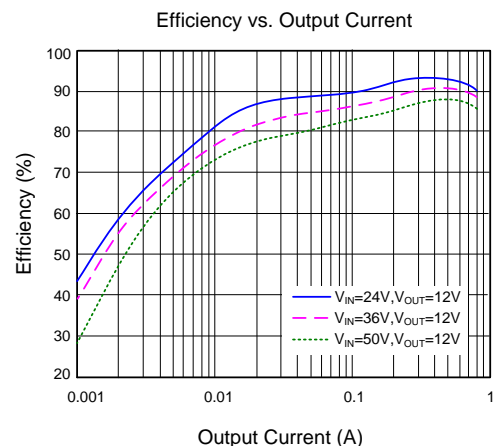
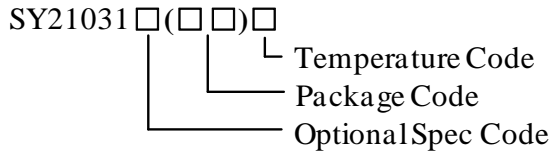


Figure 2. Efficiency vs. Output Current



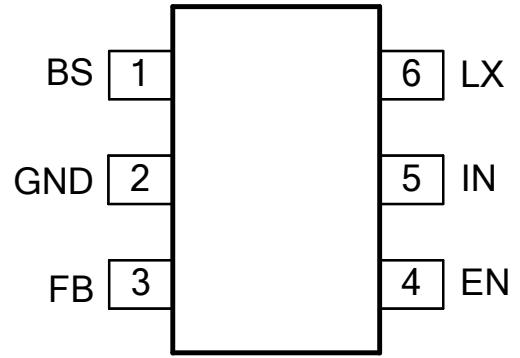
Ordering Information



Ordering Part Number	Package type	Top Mark
SY21031ABC	SOT23-6 RoHS-Compliant and Halogen-Free	Myxyz

x = year code, y = week code, z = lot number code

Pinout (top view)



(SOT23-6)

Pin Description

Pin No	Pin Name	Pin Description
1	BS	Bootstrap pin. Supply for the high-side gate driver. Connect a 0.1µF ceramic capacitor between the BS and the LX pin.
2	GND	Ground pin.
3	FB	Output feedback pin. Connect this pin to the center point of the output resistor-divider (as shown in Figure 1) to program the output voltage using the following equation: $V_{OUT} = 0.6 \times (1 + R_H / R_L)$
4	EN	Enable control pin. Pull high to turn on. Do not leave floating.
5	IN	Input pin. Decouple this pin to the GND pin with at least a 1µF ceramic capacitor.
6	LX	Inductor pin. Connect this pin to the switching node of the inductor.

Block Diagram

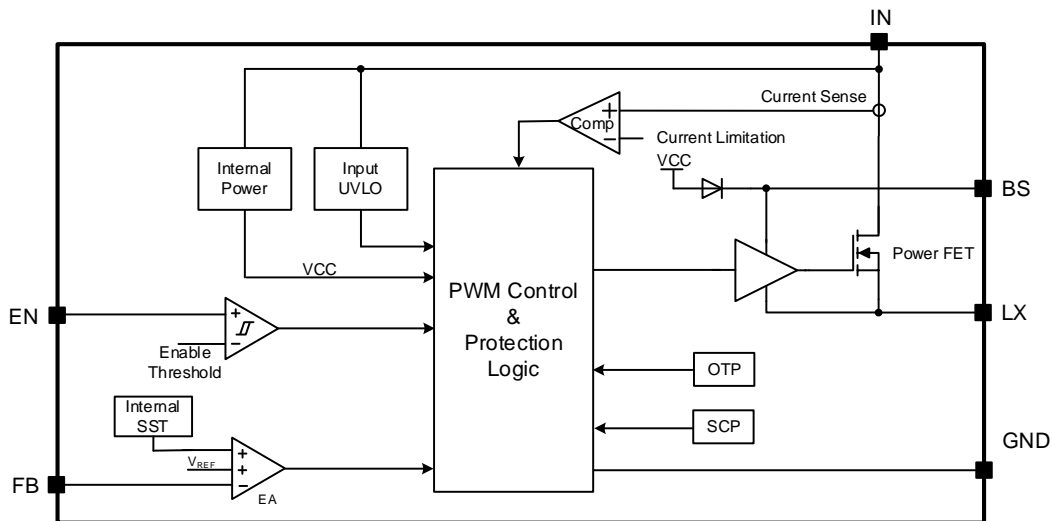


Figure 3. Block Diagram

Absolute Maximum Ratings

Parameter (Note 1)	Min	Max	Unit
IN	-0.3	60	V
FB, EN	-0.3	IN + 0.3	
BS-LX	-0.3	4	
Dynamic LX Voltage in 10ns Duration	GND - 5	IN + 3	
Junction Temperature, Operating	-40	150	°C
Lead Temperature (Soldering, 10s)		260	
Storage Temperature	-65	150	

Thermal Information

Parameter (Note 2)	Typ	Unit
θ_{JA} Junction-to-Ambient Thermal Resistance	100	°C/W
θ_{JC} Junction-to-Case Thermal Resistance	25	
P_D Power Dissipation $T_A = 25^\circ\text{C}$	1	W

Recommended Operating Conditions

Parameter (Note 3)	Min	Max	Unit
Supply Input Voltage	4.5	55	V
Junction Temperature	-40	125	°C
Ambient Temperature	-40	85	

Electrical Characteristics

($V_{IN} = 20V$, $V_{OUT} = 12V$, $L = 6.8\mu H$, $C_{OUT} = 10\mu F$, $T_A = 25^\circ C$, $I_{OUT} = 0.1A$ unless otherwise specified)

Parameter	Symbol	Test Conditions	Min	Typ	Max	Unit
Input	Voltage Range	V_{IN}	4.5		55	V
	UVLO Threshold	V_{UVLO}	V_{IN} rising		4.5	V
	Quiescent Current	I_Q	LX not switching	150		μA
	Shutdown Current	I_{SHDN}	EN = 0	5	10	μA
Output	Feedback Reference Voltage	V_{REF}	0.594	0.6	0.606	V
	Soft-Start Time	t_{SS}		1.4		ms
	FB Input Current	I_{FB}	$V_{FB} = V_{IN}$	-50		50
MOSFET	Power FET $R_{DS(ON)}$	$R_{DS(ON)}$		700		m Ω
	Power FET Peak Current Limit	I_{LMT}	1.05		1.65	A
Enable (EN)	Rising Threshold	$V_{EN,H}$	1.18	1.23	1.28	V
	Falling Threshold	$V_{EN,L}$	0.94	1	1.06	V
Frequency	Switching Frequency	f_{SW}		1.2		MHz
	Switching Frequency Accuracy		-20		20	% f_{SW}
	Min On-Time	$t_{ON,MIN}$		100		ns
	Min Off-time	$t_{OFF,MIN}$		80		ns
OTP	Temperature	T_{OTP}		150		$^\circ C$
	Temperature Hysteresis	$T_{OTP,HYS}$		15		$^\circ C$

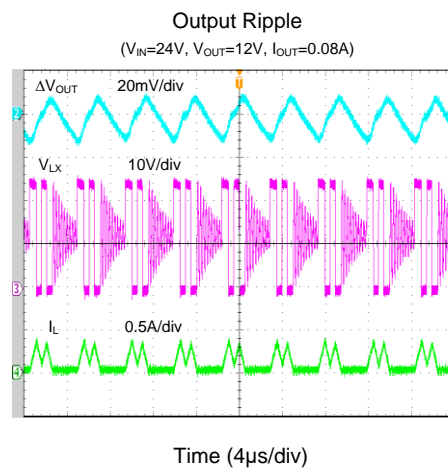
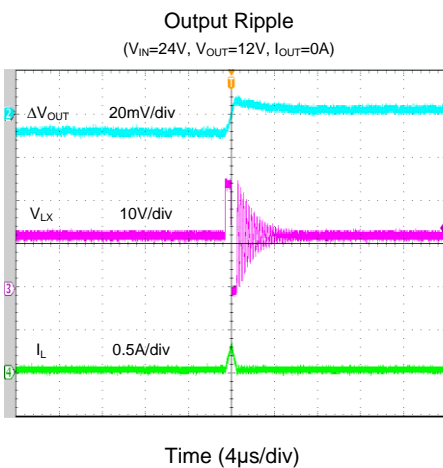
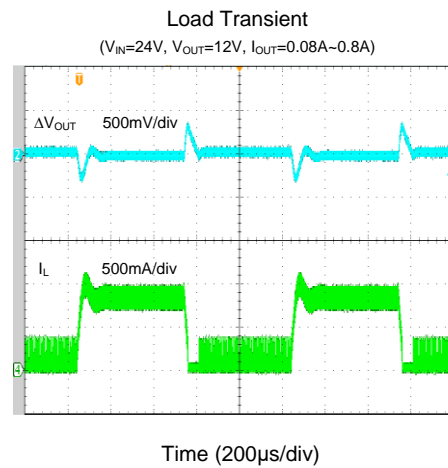
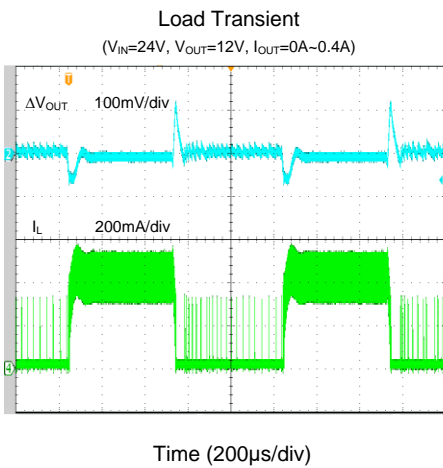
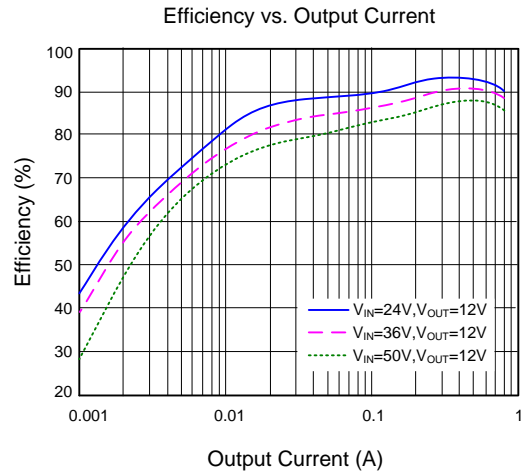
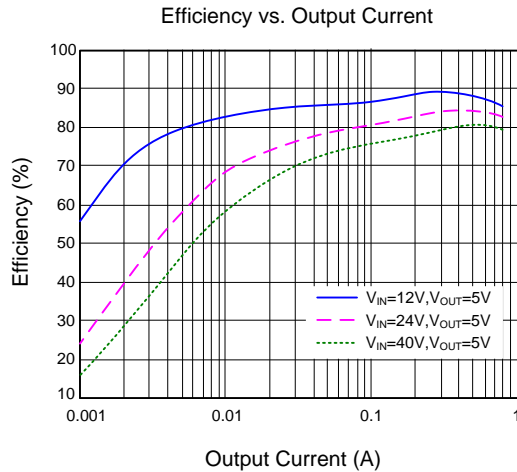
Note 1: Stresses beyond “Absolute Maximum Ratings” may cause permanent damage to the device. These are for stress ratings. Functional operation of the device at these or any other conditions beyond those indicated in the operational sections of the specifications is not implied. Exposure to absolute maximum rating conditions may affect device reliability.

Note 2: θ_{JA} is measured in the natural convection at $T_A = 25^\circ C$ on a high effective thermal conductivity four-layer test board per JESD51-7. Pin 2 of SOT23-6 package is the case position for θ_{JC} measurement.

Note 3: The device is not guaranteed to function outside its operating conditions.

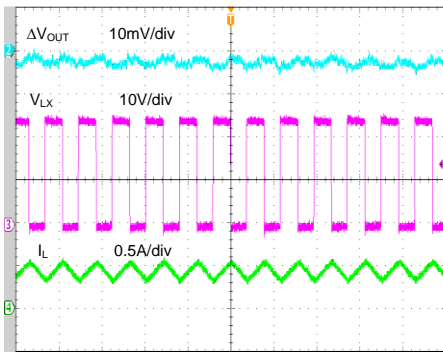
Typical Performance Characteristics

($T_A = 25^\circ\text{C}$, $V_{IN} = 24\text{V}$, $V_{OUT} = 12\text{V}$, $L = 22\mu\text{H}$, $C_{OUT} = 22\mu\text{F}$, unless otherwise specified)



Output Ripple

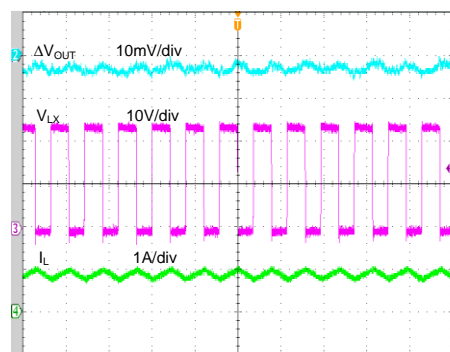
($V_{IN}=24V$, $V_{OUT}=12V$, $I_{OUT}=0.8A$)



Time (1μs/div)

Output Ripple

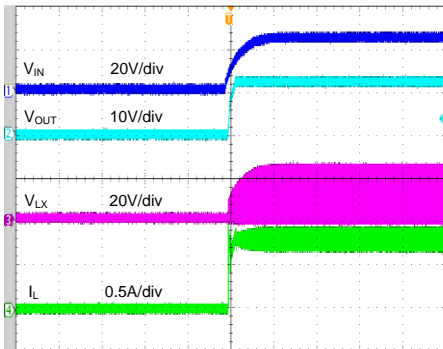
($V_{IN}=24V$, $V_{OUT}=12V$, $I_{OUT}=0.8A$)



Time (1μs/div)

Startup from V_{IN}

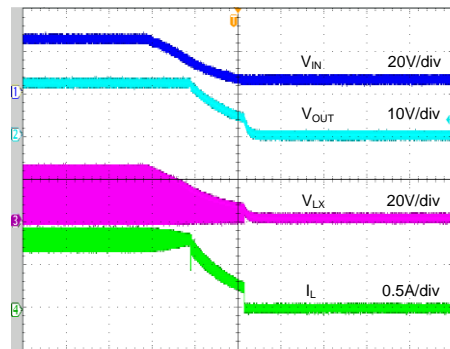
($V_{IN}=24V$, $V_{OUT}=12V$, $I_{OUT}=0.8A$)



Time (10ms/div)

Shutdown from V_{IN}

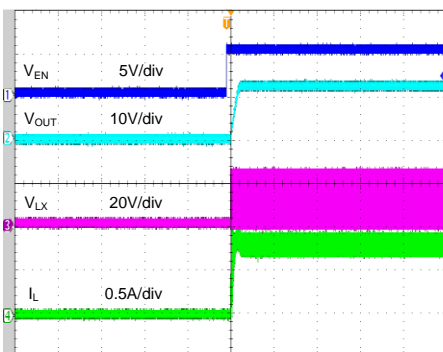
($V_{IN}=24V$, $V_{OUT}=12V$, $I_{OUT}=0.8A$)



Time (4ms/div)

Startup from Enable

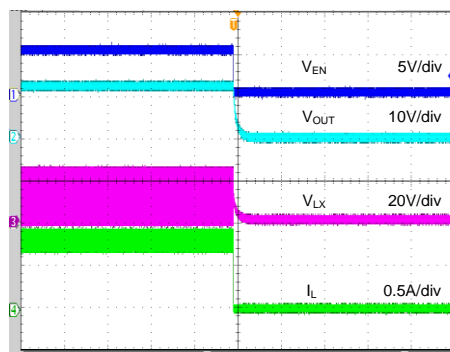
($V_{IN}=24V$, $V_{OUT}=12V$, $I_{OUT}=0.8A$)



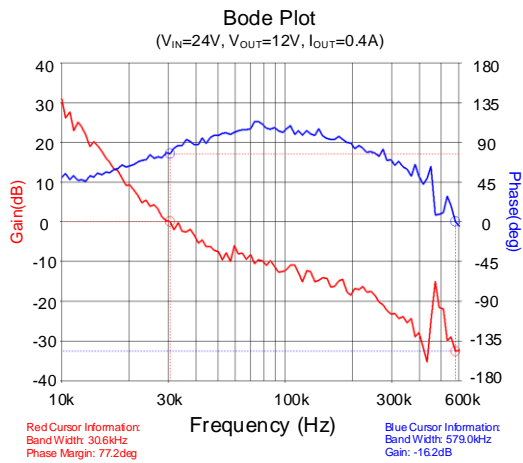
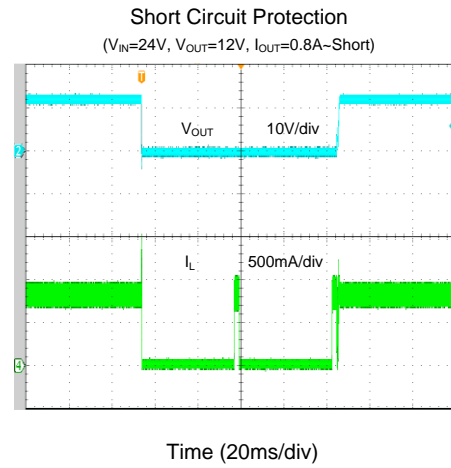
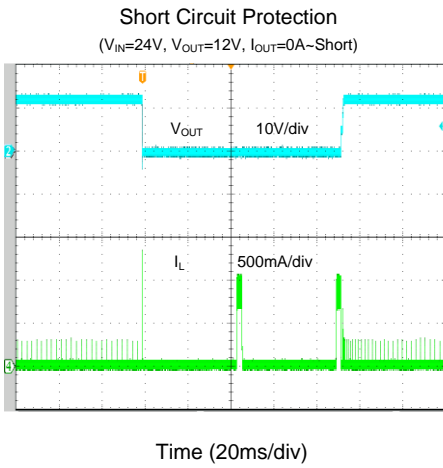
Time (4ms/div)

Shutdown from Enable

($V_{IN}=24V$, $V_{OUT}=12V$, $I_{OUT}=0.8A$)



Time (4ms/div)



Detailed Description

The SY21031 high-efficiency asynchronous step-down DC/DC regulator is controlled using adaptive constant off-time, and can deliver 0.8A current over a wide input voltage range from 4.5V to 55V. It integrates a main switch with low $R_{DS(ON)}$ to minimize conduction loss.

The 1.2MHz switching frequency permits low output-voltage ripple and reduces external inductor and capacitor sizes. The SY21031 also provides cycle-by-cycle current limiting and hiccup short-circuit protection.

The SY21031 employs a constant off time and peak current mode control strategy. When the FET's current-sense signal reaches internal V_{COMP} , the FET turns off for a fixed period of time (constant t_{OFF}). t_{OFF} is internally calculated according to the input voltage, output voltage, and desired switching frequency (f_{SW}):

$$t_{OFF} = \frac{1 - V_{OUT}/V_{IN}}{f_{SW}}$$

The FET turns on after a period of t_{OFF} .

Schottky Diode

An external Schottky diode is required between the SW pin and GND to carry the inductor current when the internal switch is turned off. The recommended breakdown voltage should be at least 20% higher than the maximum input voltage. The diode current rating should be equal to the maximum output current. A 1A rated diode is recommended for most use cases.

Enable Control

Pulling the EN pin low (less than 0.94V) will shut down the device. During shutdown mode, the SY21031 shutdown current drops below 10 μ A. Driving the EN pin high (greater than 1.28V) will turn the IC on again.

External Bootstrap Capacitor

The external bootstrap capacitor provides the gate driver voltage for the internal high-side MOSFET. A 100nF low-ESR ceramic capacitor connected between the BS pin and the LX pin is recommended.

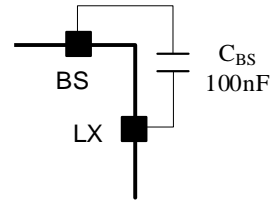


Figure 4. Bootstrap Capacitor Connection

Fault Protection Modes

Output Undervoltage Protection

With load current increasing, as soon as the FET's current exceeds the peak current-limit threshold, the FET will turn off. If the load current continues to increase, the output voltage will drop. When the output voltage falls below 33% of the regulation level, the output undervoltage protection will be activated and the SY21031 will operate in hiccup mode. The hiccup on-time is 5ms and the hiccup off-time is 50ms. If the hard short is removed, the SY21031 will return to normal operation.

Overtemperature Protection (OTP)

Instant-PWM architecture includes overtemperature protection (OTP) circuitry to prevent overheating due to excessive power dissipation. This will shut down the device when the junction temperature exceeds 150°C. Once the junction temperature cools by approximately 15°C, the device will resume normal operation after a complete soft-start cycle. For continuous operation, provide adequate cooling so that the junction temperature does not exceed the OTP threshold.

Application Information

The following paragraphs describe the selection process for the feedback resistors (R_H and R_L), the input capacitor C_{IN} , the output capacitor C_{OUT} , and the output inductor L .

Feedback Resistor-Divider R_H and R_L

Choose R_H and R_L to program the proper output voltage. Choose large resistance values between 10k Ω and 1M Ω for both R_H and R_L to minimize power consumption under light loads. If $V_{OUT} = 1.2V$ and a value of 100k Ω is chosen for R_H , then using the following equation, R_L can be calculated as 100k Ω :

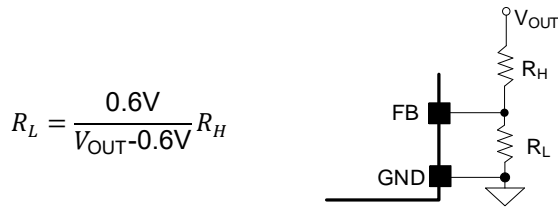


Figure 5. Feedback Resistor Selection

Input Capacitor C_{IN}

Input filter capacitors reduce the ripple voltage on the input, filter the switched current drawn from the input supply, and reduce EMI. When selecting an input capacitor, be sure to select a voltage rating at least 20% greater than the maximum voltage of the input supply and a temperature rating higher than the system requirements. X5R series ceramic capacitors are most often selected due to their small size, low cost, surge-current capability, and high RMS current ratings over a wide temperature and voltage range. However, systems that are powered by a wall adapter or other long and therefore inductive cabling may be susceptible to significant inductive ringing at the input to the device. In these cases, consider adding some bulk capacitance like electrolytic, tantalum, or polymer type capacitors. Using a combination of bulk capacitors (to reduce overshoot or ringing) in parallel with ceramic capacitors (to meet the RMS current requirements) is helpful in these cases. Consider the RMS current rating of the input capacitor, paralleling additional capacitors if required to meet the calculated RMS ripple current.

$$I_{CIN_RMS} = I_{OUT} \times \sqrt{D \times (1 - D)}$$

The worst-case condition occurs at D = 0.5, then

$$I_{CIN_RMS,MAX} = \frac{I_{OUT}}{2}$$

For simplicity, use an input capacitor with an RMS current rating greater than 50% of the maximum load current. The input capacitor value determines the input voltage ripple of the converter. If there is a voltage ripple requirement in the system, choose an appropriate input capacitor that meets the specification. Given the very low ESR and ESL of ceramic capacitors, the input voltage ripple can be estimated using the formula:

$$V_{CIN_RIPPLE,CAP} = \frac{I_{OUT}}{f_{SW} \times C_{IN}} \times D \times (1 - D)$$

The worst-case condition occurs at D = 0.5, then

$$V_{CIN_RIPPLE,CAP,MAX} = \frac{I_{OUT}}{4 \times f_{SW} \times C_{IN}}$$

The capacitance value is less important than the RMS current rating. A single 10µF X5R capacitor is sufficient in most applications.

Output Capacitor C_{OUT}

The output capacitor is selected to handle the output ripple noise requirements. Both steady state ripple and transient requirements must be taken into consideration when selecting this capacitor. For most applications, an X5R or better grade ceramic capacitor larger than 22µF capacitance can work well. The capacitance derating with DC voltage must be considered.

Output Inductor L

Consider the following when choosing this inductor:

- 1) Choose the inductance to provide a ripple current that is approximately 40% of the maximum output current. The recommended inductance is calculated as:

$$L = \frac{V_{OUT}(1 - V_{OUT} / V_{IN,MAX})}{f_{sw} \times I_{OUT,MAX} \times 0.4}$$

where f_{sw} is the switching frequency and I_{OUT,MAX} is the maximum load current.

The SY21031 has high tolerance for ripple current amplitude variation. As a result, the final choice of inductance can vary slightly from the calculated value with no significant performance impact.

- 2) The inductor's saturation current rating must be greater than the peak inductor current under full load:

$$I_{SAT,MIN} > I_{OUT,MAX} + \frac{V_{OUT}(1-V_{OUT}/V_{IN,MAX})}{2 \times f_{sw} \times L}$$

- 3) The DCR of the inductor and the core loss at the switching frequency must be low enough to achieve the desired efficiency requirement. Choose an inductor with DCR < 50mΩ to achieve good overall efficiency.

Load-Transient Considerations

The SY21031 regulator integrates compensation components to achieve fast transient responses and improved stability. In some applications, adding a 22pF ceramic capacitor in parallel with R_H may further speed up the load-transient responses and is therefore recommended for applications with large load-transient step requirements

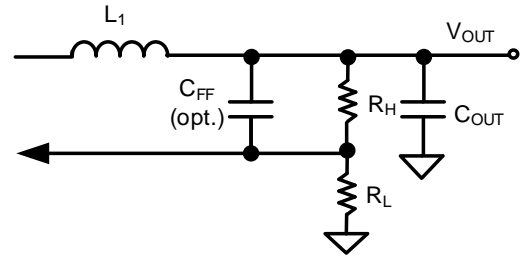
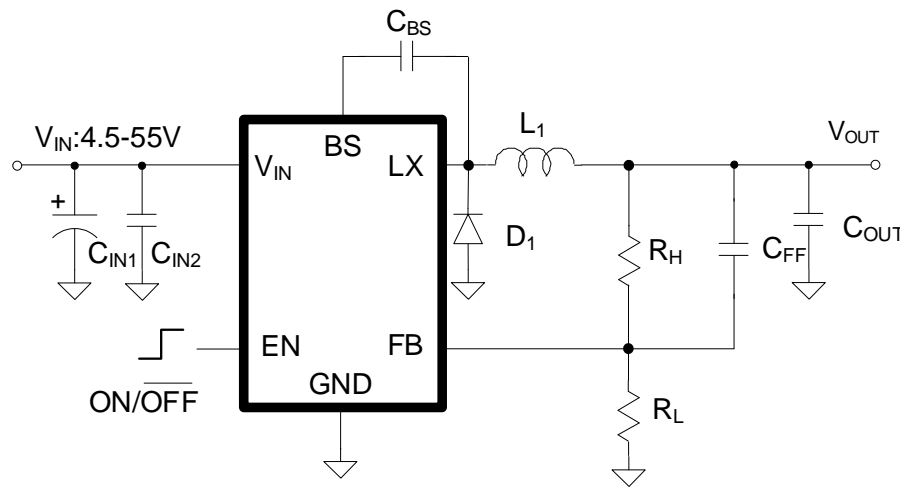


Figure 6. Feed-Forward Network

Application Schematic ($V_{OUT} = 12V$)



BOM List

Designator	Description	Part Number	Manufacturer
D ₁	3A, 100V Schottky	SS310	
C _{IN1}	47μF/100V Electrolytic Cap		
C _{IN2}	1.0μF/100V/1206	GRM31CR72A105K	mμRata
C _{BS}	0.1μF/50V/0603	C1608X7R1H104K	TDK
C _{FF}	47pF/50V/0603	C1608C0G1H470J	TDK
C _{OUT}	22μF/16V/1206	C3216X5R1C226M	TDK
L ₁	22μH/1.6A inductor	VLP6045LT-220M	TDK
R _H	100kΩ, 1%, 0603		TDK
R _L	5.23kΩ, 1%, 0603		TDK

Recommend Component Values for Typical Applications

V _{OUT} (V)	R _H (kΩ)	R _L (kΩ)	C _{FF} (pF)	L ₁ /Part Number
5	100	13.7	47	10μH/VLP6045LT-100M
12	100	5.23	47	22μH/VLP6045LT-220M

Layout Design

Follow these PCB layout guidelines for optimal performance and thermal dissipation.

- **Input Capacitors:** Place the input capacitor very near IN and GND, minimizing the loop formed by these connections. Connect the input capacitor to the IN and GND pins using a wide copper plane. A 0.1 μ F input ceramic capacitor is recommended to reduce input noise.
- **Output Capacitors:** Guarantee the C_{OUT} negative sides are connected to the GND pin by wide copper traces instead of vias, in order to achieve better accuracy and stability of the output voltage.
- **Feedback Network and Output Line:** Place the feedback components (C_{FF}) as close to the FB pin as possible. Avoid routing the feedback line near LX, BS or other high-frequency signals as it is noise-sensitive. Use a Kelvin connection between the feedback sampling point and C_{OUT} (rather than connecting it to the inductor output terminal).

- **LX Connection:** Keep LX area small to prevent excessive EMI, while providing wide copper traces to minimize parasitic resistance and inductance.
- **BS Capacitor:** Place the BS capacitor on the same layer as the device and keep the BS voltage path (BS, LX, and C_{BS}) as short as possible.
- **Control Signals:** If the system chip interfacing with the EN pin has a high impedance state during shutdown mode, and the IN pin is connected directly to a power source such as a Li-ion battery, add a 1M Ω pulldown resistor between the EN and GND pins to prevent noise from falsely triggering the regulator during shutdown mode.
- **GND Vias:** Place adequate number of vias on the GND layer around the device for better thermal performance. Especially, make one good thermal heating GND copper trace.

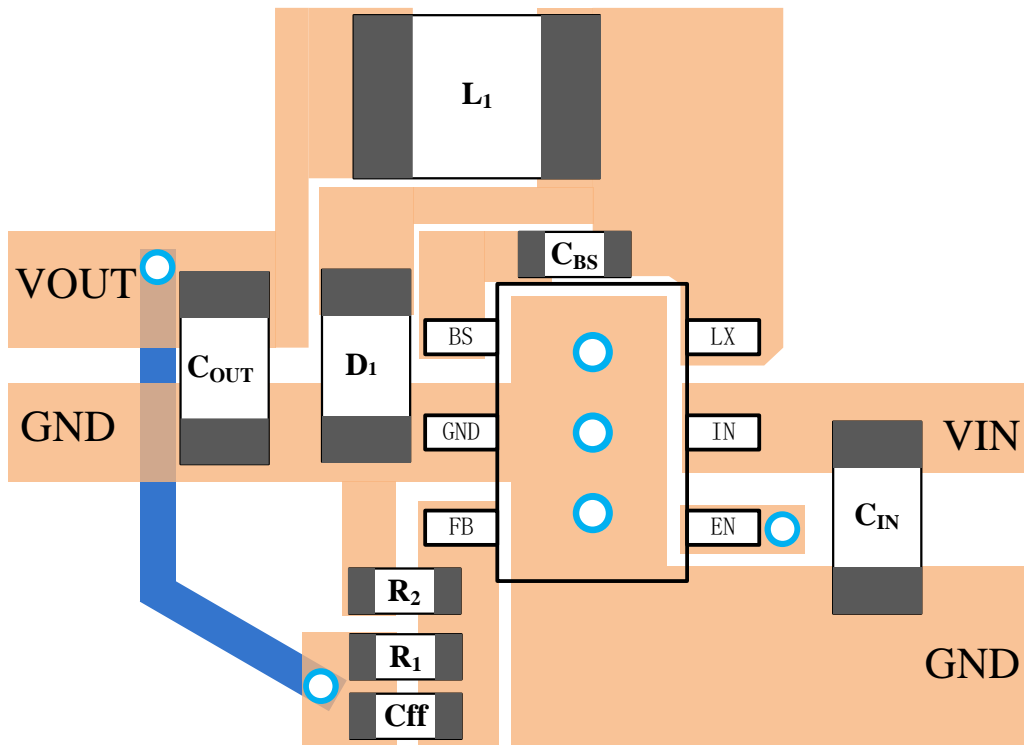
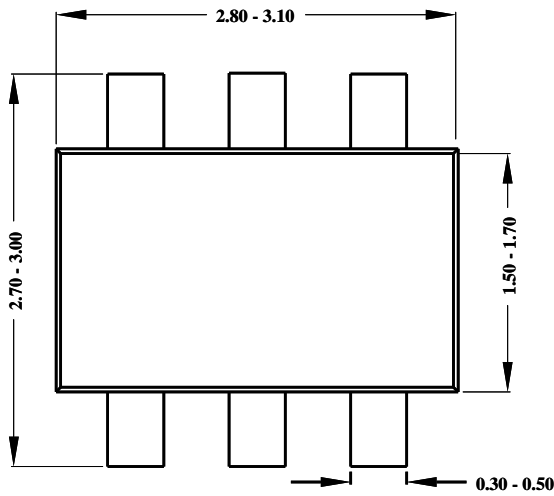
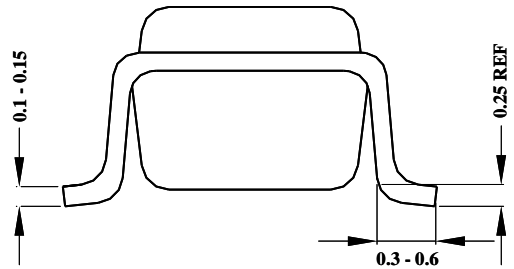


Figure 7. Suggested PCB Layout

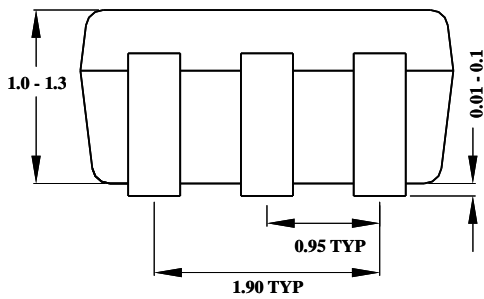
SOT23-6 Package Outline and PCB Layout



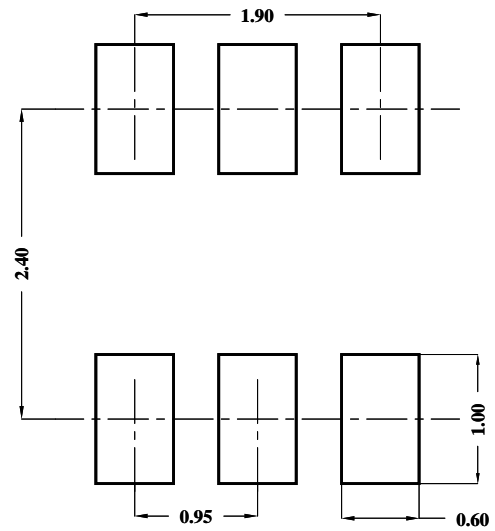
Top view



Side view



Front view

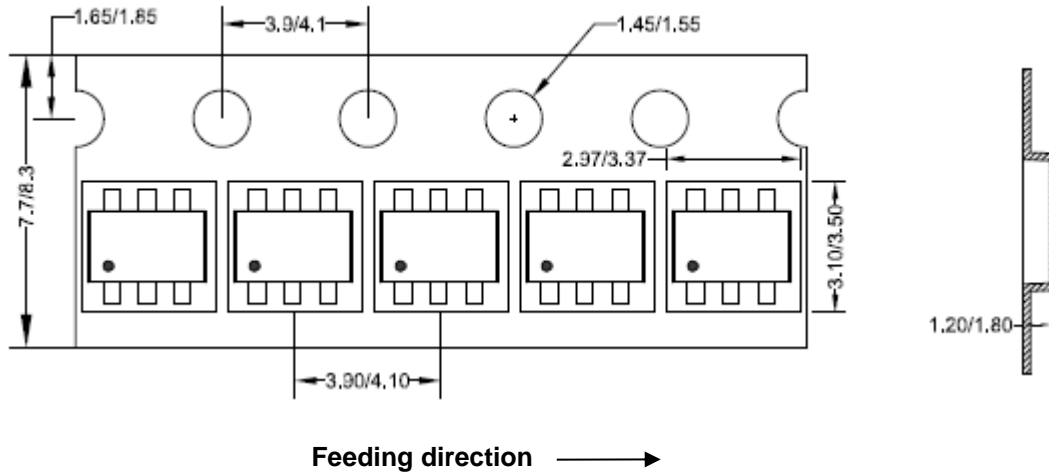


**Recommended pad layout
(reference only)**

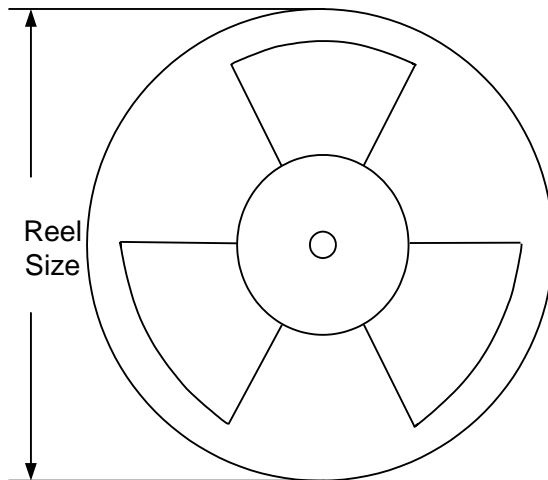
Note: All dimensions are in millimeters and exclude mold flash and metal burr.

Taping and Reel Specification

SOT23-6 taping orientation



Carrier tape and reel specification for packages



Package types	Tape width (mm)	Pocket pitch(mm)	Reel size (Inch)	Trailer length(mm)	Leader length (mm)	Qty per reel
SOT23-6	8	4	7"	280	160	3000

Others: NA

Revision History

The revision history provided is for informational purposes only and is believed to be accurate, however, not warranted. Please make sure that you have the latest revision.

Date	Revision	Change
Aug.17,2023	Revision 1.0	Language improvements for clarity
Dec.12.2018	Revision 0.9A	Update in Absolute Maximum Rating (Page 3)
Dec.19, 2016	Revision 0.9	Initial Release

IMPORTANT NOTICE

1. **Right to make changes.** Silergy and its subsidiaries (hereafter Silergy) reserve the right to change any information published in this document, including but not limited to circuitry, specification and/or product design, manufacturing or descriptions, at any time and without notice. This document supersedes and replaces all information supplied prior to the publication hereof. Buyers should obtain the latest relevant information before placing orders and should verify that such information is current and complete. All semiconductor products are sold subject to Silergy's standard terms and conditions of sale.
2. **Applications.** Application examples that are described herein for any of these products are for illustrative purposes only. Silergy makes no representation or warranty that such applications will be suitable for the specified use without further testing or modification. Buyers are responsible for the design and operation of their applications and products using Silergy products. Silergy or its subsidiaries assume no liability for any application assistance or designs of customer products. It is customer's sole responsibility to determine whether the Silergy product is suitable and fit for the customer's applications and products planned. To minimize the risks associated with customer's products and applications, customer should provide adequate design and operating safeguards. Customer represents and agrees that it has all the necessary expertise to create and implement safeguards which anticipate dangerous consequences of failures, monitor failures and their consequences, lessen the likelihood of failures that might cause harm and take appropriate remedial actions. Silergy assumes no liability related to any default, damage, costs or problem in the customer's applications or products, or the application or use by customer's third-party buyers. Customer will fully indemnify Silergy, its subsidiaries, and their representatives against any damages arising out of the use of any Silergy components in safety-critical applications. It is also buyers' sole responsibility to warrant and guarantee that any intellectual property rights of a third party are not infringed upon when integrating Silergy products into any application. Silergy assumes no responsibility for any said applications or for any use of any circuitry other than circuitry entirely embodied in a Silergy product.
3. **Limited warranty and liability.** Information furnished by Silergy in this document is believed to be accurate and reliable. However, Silergy makes no representation or warranty, expressed or implied, as to the accuracy or completeness of such information and shall have no liability for the consequences of use of such information. In no event shall Silergy be liable for any indirect, incidental, punitive, special or consequential damages, including but not limited to lost profits, lost savings, business interruption, costs related to the removal or replacement of any products or rework charges, whether or not such damages are based on tort or negligence, warranty, breach of contract or any other legal theory. Notwithstanding any damages that customer might incur for any reason whatsoever, Silergy' aggregate and cumulative liability towards customer for the products described herein shall be limited in accordance with the Standard Terms and Conditions of Sale of Silergy.
4. **Suitability for use.** Customer acknowledges and agrees that it is solely responsible for compliance with all legal, regulatory and safety-related requirements concerning its products, and any use of Silergy components in its applications, notwithstanding any applications-related information or support that may be provided by Silergy. Silergy products are not designed, authorized or warranted to be suitable for use in life support, life-critical or safety-critical systems or equipment, nor in applications where failure or malfunction of an Silergy product can reasonably be expected to result in personal injury, death or severe property or environmental damage. Silergy assumes no liability for inclusion and/or use of Silergy products in such equipment or applications and therefore such inclusion and/or use is at the customer's own risk.
5. **Terms and conditions of commercial sale.** Silergy products are sold subject to the standard terms and conditions of commercial sale, as published at <http://www.silergy.com/stdterms>, unless otherwise agreed in a valid written individual agreement specifically agreed to in writing by an authorized officer of Silergy. In case an individual agreement is concluded only the terms and conditions of the respective agreement shall apply. Silergy hereby expressly objects to and denies the application of any customer's general terms and conditions with regard to the purchase of Silergy products by the customer.
6. **No offer to sell or license.** Nothing in this document may be interpreted or construed as an offer to sell products that is open for acceptance or the grant, conveyance or implication of any license under any copyrights, patents or other industrial or intellectual property rights. Silergy makes no representation or warranty that any license, either express or implied, is granted under any patent right, copyright, mask work right, or other intellectual property right. Information published by Silergy regarding third-party products or services does not constitute a license to use such products or services or a warranty or endorsement thereof. Use of such information may require a license from a third party under the patents or other intellectual property of the third party, or a license from Silergy under the patents or other intellectual property of Silergy.

For more information, please visit: www.silergy.com

©2023 Silergy Corp.

All Rights Reserved.

X-ON Electronics

Largest Supplier of Electrical and Electronic Components

Click to view similar products for [Switching Voltage Regulators](#) category:

Click to view products by [Silergy](#) manufacturer:

Other Similar products are found below :

[FAN53610AUC33X](#) [FAN53611AUC123X](#) [EN6310QA](#) [160215](#) [R3](#) [KE177614](#) [FAN53611AUC12X](#) [MAX809TTR](#) [NCV891234MW50R2G](#)
[AST1S31PUR](#) [NCP81203PMNTXG](#) [NCP81208MNTXG](#) [NCP81109GMNTXG](#) [NCP3235MNTXG](#) [NCP81109JMNTXG](#) [MP2161AGJ-Z](#)
[NCP81241MNTXG](#) [NTE7223](#) [NTE7222](#) [NTE7224](#) [L6986FTR](#) [MPQ4481GU-AEC1-P](#) [MP8756GD-P](#) [MPQ2171GJ-P](#) [MPQ2171GJ-AEC1-P](#)
[N JW4153U2-A-TE2](#) [MP2171GJ-P](#) [MP28160GC-Z](#) [MPM3509GQVE-AEC1-P](#) [XDPE132G5CG000XUMA1](#) [LM60440AQRPKRQ1](#)
[MP5461GC-P](#) [NCV896530MWATXG](#) [MPQ4409GQBE-AEC1-P](#) [S-19903DA-A8T1U7](#) [S-19903CA-A6T8U7](#) [S-19903CA-S8T1U7](#) [S-](#)
[19902BA-A6T8U7](#) [S-19902CA-A6T8U7](#) [S-19932BA-A6T8U7](#) [S-19932AA-A6T8U7](#) [S-19932BA-A8T1U7](#) [S-19902AA-A6T8U7](#) [S-](#)
[19903AA-A6T8U7](#) [S-19902AA-S8T1U7](#) [S-19902BA-A8T1U7](#) [AU8310](#) [LMR33630APAQRN XRQ1](#) [LMR33630APCQRN XRQ1](#)
[LMR54406DBVR](#)