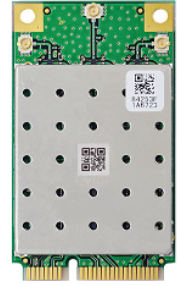


SX-PCEAC-DB

Dual Band 802.11ac PCIe WLAN Module



3x3 MIMO - High Speed Wi-Fi for 2.4GHz and 5GHz Bands

The SX-PCEAC-DB is an 802.11ac compliant dual-band 3x3 PCIe Mini Card. It is based on the the Qualcomm Atheros QCA9880 chipset, designed to deliver wireless data rates of up to 1.3Gbps. The SX-PCEAC-DB supports 20/40/80MHz and 256-QAM to maximize bandwidth efficiency.

Unlike the other similar solutions, the design, manufacturing, and tuning processes are strictly controlled in-house at the Silex state-of-the-art ISO9001 facility in Japan. Each card is individually tested and inspected to ensure the industry's highest quality resulting greater performance and reliability.

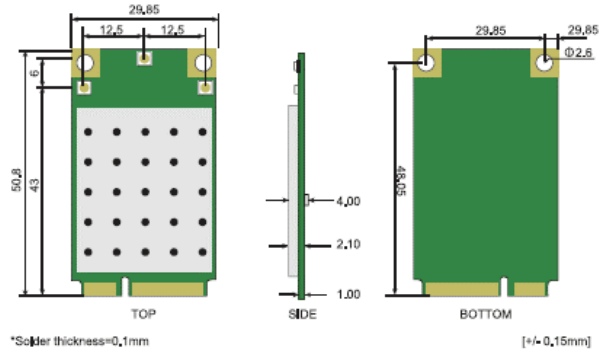
Typical Applications:

SX-PCEAC-DB card gives customers the ability to easily and reliably support applications where this extra bandwidth and performance is required, like deploying HD video over Wi-Fi.

Applications include commercial AP, routers, gateways, large-size printers, video devices, medical devices etc.

Key Features:

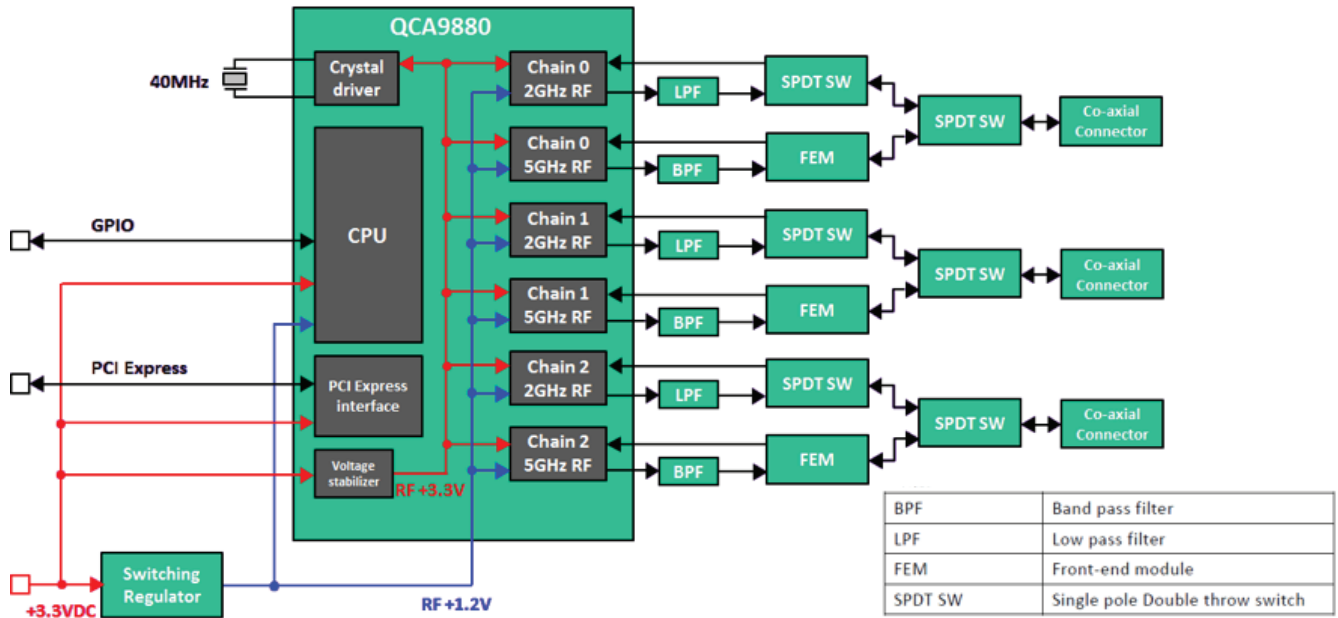
- Max data transfer rate: 1.3Gbps (Theoretical value, at 11ac mode)
- PCI Express interface
- Qualcomm Atheros QCA9880 chipset
- IEEE 802.11ac(Wave1)/a/b/g/n
 - Wide band 80MHz mode
 - High density modulation mode (256QAM)
- 3x3 SU-MIMO enhances high speed and stability
- Silex Linux reference driver with IEEE802.11x EAP support
- Wireless standard
 - IEEE 802.11ac/a/n/e/h/i
- EU directive RoHS certification
- Modular certification for FCC/IC, ETSI and MIC



Specifications:

Product Name	SX-PCEAC-DB
Chipset	Qualcomm Atheros QCA9880
Host Interface	PCI Express mini card v1.2
Radio Specifications	IEEE 802.11 ac (Wave1)/a/b/g/n
Antenna Terminal	U.FL connector x3
Operating Voltage	3.3V ± 5%
Average Current Consumption	<p>[2.4GHz] Tx: 350~660mA Rx: 210~250mA</p> <p>[5GHz] Tx: 450~890mA Rx: 220~290mA</p>
Weight	7.2g
Operating Temperature & Humidity	Temperature: 0 ~ +60°C Humidity: 20 - 80%RH
Storage Temperature & Humidity	Temperature: 0 ~ +60°C Humidity: 20 - 80%RH
Dimensions	29.9 x 50.8 x 4.0mm Thickness =1.0mm
Connector Type	PCI Express mini card edge

Block Diagram



Wireless LAN General Specifications

	Bandwidth	Wireless	Channel
Frequency Spacing	2.4 GHz	11b/g/ng (20/40 MHz)	5 MHz
		11a/na/ac (20 MHz)	20 MHz
	5 GHz	11na/ac (40 MHz)	40 MHz
		11ac (80 MHz)	80 MHz
Link Rate	11b	1 - 11 Mbps	
	11a/g	6 - 54 Mbps	
	11na	MCS 0, 1, 2, 3, 4, 5, 6, 7	
	11ng/ac(20MHz)	MCS 0, 1, 2, 3, 4, 5, 6, 7, 8	
	11ng/ac(40MHz)	MCS 0, 1, 2, 3, 4, 5, 6, 7, 8, 9	
	11ac (80MHz)	MCS 0, 1, 2, 3, 4, 5, 6, 7, 8, 9	
Modulation	11b	DSSS(DBPSK, DQPSK, CCK)	
	11a/g/na	OFDM(BPSK, QPSK, 16QAM, 64QAM)	
	11ng/ac	OFDM(BPSK, QPSK, 16QAM, 64QAM, 256QAM)	

Ordering Information

SX-PCEAC:	5GHz Only, Bulk Package
SX-PCEAC-SP:	5GHz, Sample Pack (3 x Sansai Pole Antenna)
SX-PCEAC-DB:	2.4/5.0 GHz, Bulk Package
SX-PCEAC-DB-SP:	2.4/5.0 GHz, Sample Pack (3 x Unicttron Antenna)

Driver Support

Silex Reference Platform:

- NXP's i.MX 6 Quad/Dual (MCIMX6Q-SDB)

Operating System:

- Linux (kernel version 3.10.70)*

Silex Reference Driver:

- Based on QCA's LSDK 10.2-00082-4

Driver Features:

- AP Mode Only. (STA mode planned)
- WPA2/WPA, TKIP, AES Encryption, IEEE 802.1X, EAP
- IEEE 802.11e (QoS)
- WPS2.0
- WDS FUnction
- Multiple SSID's
- Hidden SSID Support

* Contact Silex for driver support for other OS's.

silex technology is a registered trademark of silex technology, Inc. Other product or brand names may be registered trademarks or trademarks of their respective owners. Technical information and specifications are subject to change without notice. © 2016 silex technology, Inc. All rights reserved.

silex global sales & support locations

X-ON Electronics

Largest Supplier of Electrical and Electronic Components

Click to view similar products for [WiFi Modules - 802.11 category](#):

Click to view products by [Silex manufacturer](#):

Other Similar products are found below :

[KBPC10/15/2506WP](#) [WIFI-RT5392-SB-R10](#) [SX-PCEAN2C-SP](#) [849WM520100E](#) [WIFI-AT2350](#) [7265.NGWG.SW](#) [HDG204-DN-3](#) [FXX-3061-MIX](#) [EMIO-1533-00A2](#) [7265.NGWWB.W](#) [PPC-WL-KIT02-R11](#) [RC-CC2640-B](#) [HLK-7688A](#) [E70-433T14S](#) [WH-NB73-BA](#) [NF-02-PA](#) [EAR00364](#) [ATSAMW25H18-MR210PB1961](#) [3168.NGWG](#) [MY-WF003U](#) [AX210.NGWG.NV](#) [ESP-15F32Mbit](#) [ESP32-S32Mb](#) [TG-01M](#) [ESP-13](#) [ESP-01F-2M](#) [ESP-01E-2M](#) [ESP-12S-8285-2M](#) [ESP-20](#) [ESP32-SL](#) [ESP-12K-PSRAM](#) [ESP-12K](#) [ESP-12K-PSRAM-IPEX](#) [ESP-12H](#) [BW18](#) [BW12-16Mb](#) [BW14](#) [BW15](#) [BW16](#) [TG-12F](#) [SIM7600CE-L1S](#) [CB3S\(tjrl\)](#) [CB3S\(hvk9\)](#) [CB3S\(qh6\)](#) [WB2S\(csyd\)](#) [WB3S\(ppty\)](#) [WB3S\(h238\)](#) [WB3S\(uvmz\)](#) [1005869](#) [1012](#)