

# **DKBLE**

## USER GUIDE

Monday, 19 May 2014

Version 1.0



## **Copyright © 2000-2014 Bluegiga Technologies**

All rights reserved.

Bluegiga Technologies assumes no responsibility for any errors which may appear in this manual. Furthermore, Bluegiga Technologies reserves the right to alter the hardware, software, and/or specifications detailed here at any time without notice and does not make any commitment to update the information contained here. Bluegiga's products are not authorized for use as critical components in life support devices or systems.

The WRAP is a registered trademark of Bluegiga Technologies

The *Bluetooth* trademark is owned by the Bluetooth SIG Inc., USA and is licensed to Bluegiga Technologies. All other trademarks listed herein are owned by their respective owners.

## VERSION HISTORY

Version	Comment
1.0	First published version

## TABLE OF CONTENTS

1	Design Overview .....	5
1.1	PIO Connections in the Carriers .....	7
1.2	Important Notes about the Differences between the Module Carriers .....	7
1.2.1	Why the External Flash Chip Doesn't Work With BLE121LR Carrier?.....	9
1.2.2	Minimizing the Current Consumption .....	9
1.3	Sensors, display and USB to UART converter .....	9
2	Getting Started With DKBLE .....	10
2.1	Using the On-Board Debugger to Program the Carriers .....	10
2.2	Using the On-Board Debugger to Program External BLE Devices .....	11
2.3	Using the Analog Comparator of BLExxx modules .....	11
3	Measuring Current Consumption .....	12
4	Schematics and Assembly Drawing .....	14
5	WEEE Compliance .....	20
6	Contact Information .....	20

# 1 Design Overview

BLE Development Kit, DKBLE, is targeted for engineers evaluating Bluetooth Smart modules BLE112, BLE113 and BLE121LR. DKBLE is platform containing various switchable peripherals for creating and testing several different applications utilizing Bluegiga Bluetooth Smart modules. The modules are assembled on a carriers boards and DKBLE contains a header type of interface for plugging in the module carriers. Thus each module can be tested and compared with each other on the same platform. DKBLE contains:

- On-Board debugger
- Switchable powering either from a coin cell battery or USB
- UART interface through USB to UART converter
- USB interface
- programming interface for upgrading the firmware and parameters
- Display connected to SPI
- Accelerometer connected to SPI
- Altimeter connected to I2C
- Potentiometer for ADC input
- Push buttons for 3 PIOs and reset
- All the signals available at test points
- Current measurement points for measuring peak currents of the module, DC current of the module and DC current of the whole board.

The block diagram of DKBLE is shown in the Figure 1. Please, refer to the latest data sheets for information about Bluegiga's *Bluetooth 4.0* single mode modules.

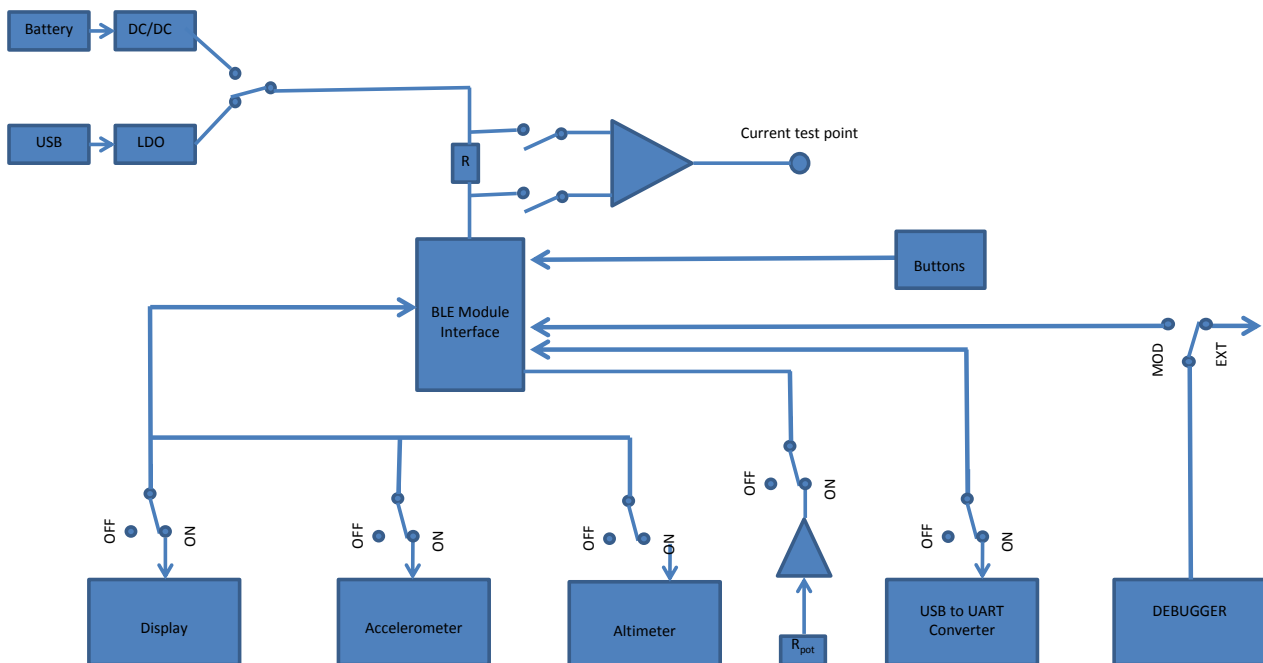


Figure 1: Block diagram of DKBLE

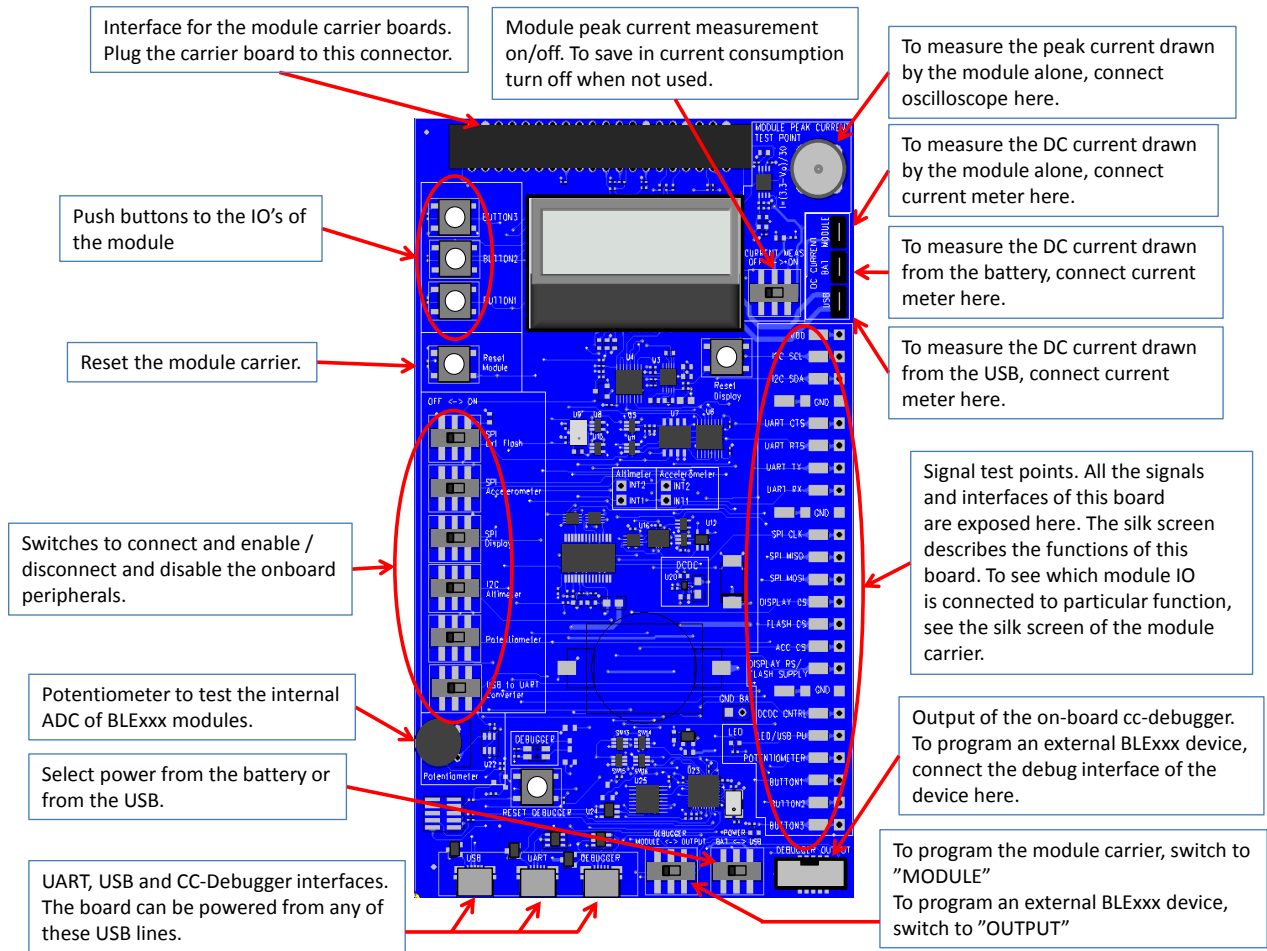


Figure 2: DKBLE interfaces

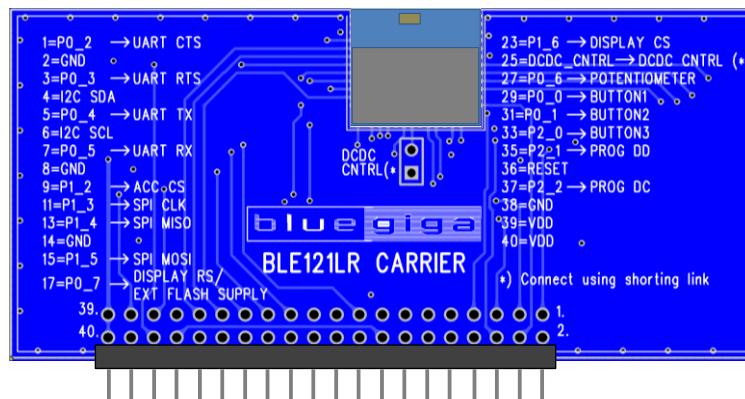


Figure 3: BLE121LR module carrier

## 1.1 PIO Connections in the Carriers

FUNCTION	BLE112	BLE113	BLE121LR
UART CTS		P0_2	
UART RTS		P0_3	
UART TX		P0_4	
UART RX		P0_5	
SPI CLK		P1_3	
SPI MISO		P1_4	
SPI MOSI		P1_5	
DISPLAY CS		P1_6	
FLASH CS	P0_7		- (pulled down in the carrier)
ACCELEROMETER CS		P1_2	
DISPLAY RS / FLASH SUPPLY	P1_1		P0_7
DCDC CNTRL	P1_7		DCDC_CNTRL (*)
LED / USB PU	P1_0		-
POTENTIOMETER		P0_6	
BUTTON1		P0_0	
BUTTON2		P0_1	
BUTTON3		P2_0	

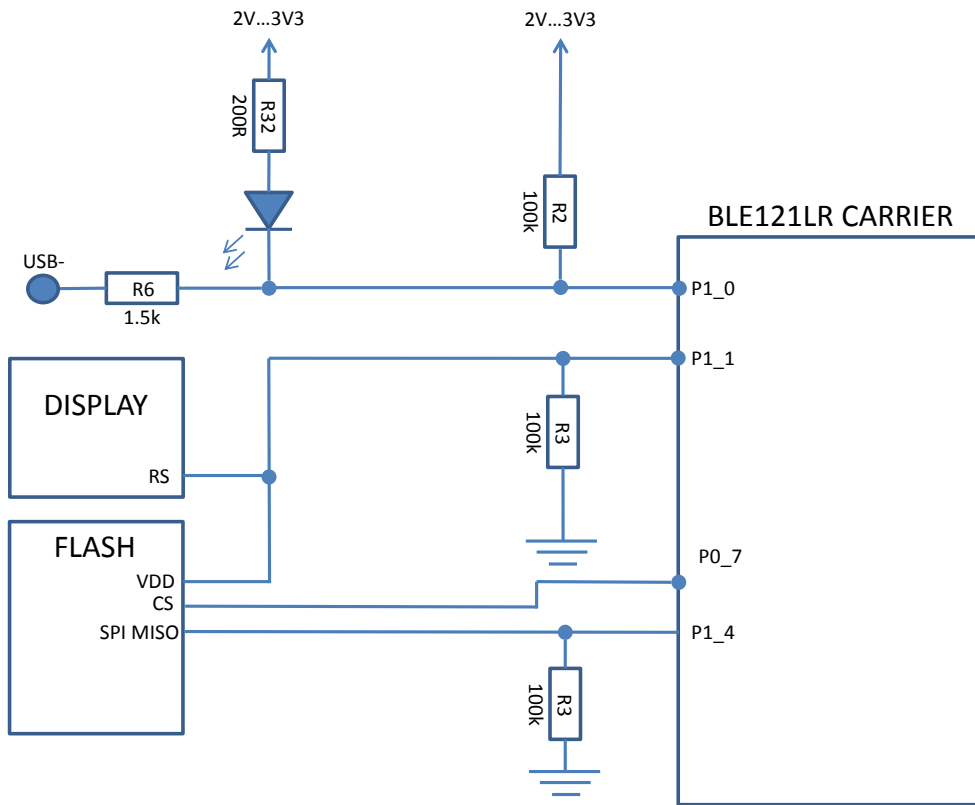
\*) Connect using a shorting link in the carrier

**Table 1: PIO connections in the carriers**

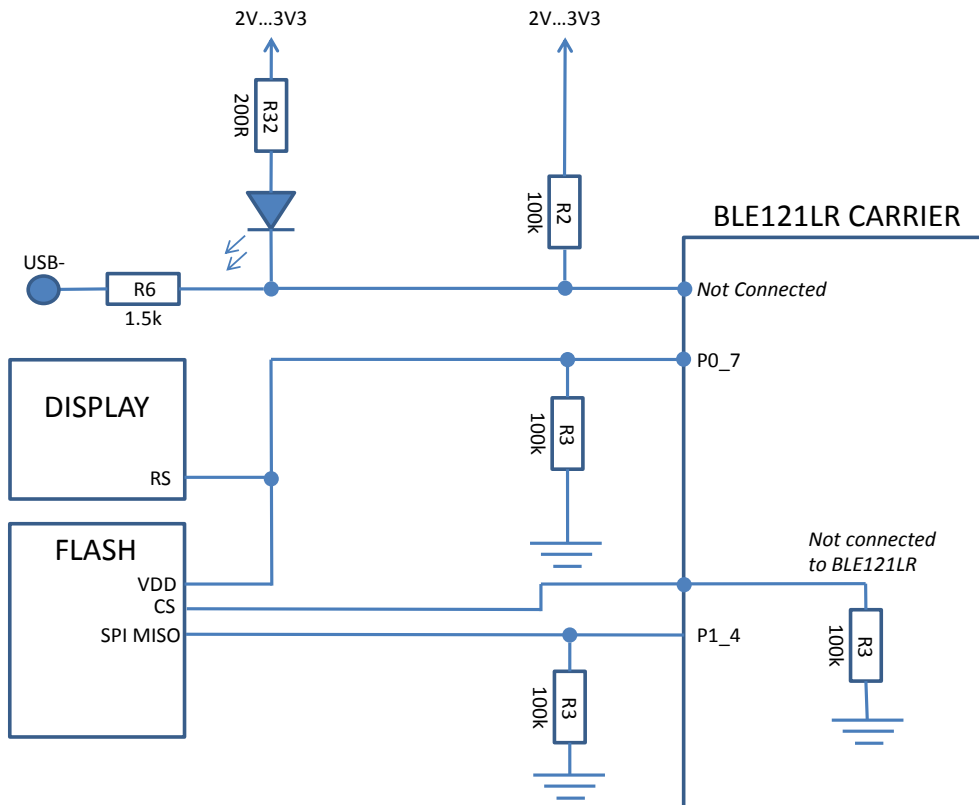
## 1.2 Important Notes about the Differences between the Module Carriers

In BLE121LR the PIOs P1\_0 and P1\_1 are reserved for the internal front end control of the module. Also P1\_7 is reserved for this purpose and in case of BLE121LR it can only be used as an output controlling the external DCDC. Thus in BLE121LR P1\_7 is named as DCDC CNTRL.

The important differences between the carriers are shown in the Figure 4 (BLE112 and BLE113 carriers) and Figure 5 (BLE121LR carrier).



**Figure 4: Connections in BLE112 and BLE113 Carriers**



**Figure 5: Connections in the BLE121LR Carrier**



### 1.2.1 Why the External Flash Chip Doesn't Work With BLE121LR Carrier?

The external flash chip is powered with one of the IO's of the module. In BLE121LR Carrier the Flash supply is connected to an IO with 4 mA current driving capability where as in BLE112 and BLE113 Carrier it is connected to an IO with 20 mA current driving capability. Thus BLE121LR carrier is not able to power the flash and using the flash with BLE121LR carrier is not possible in DKBLE.

### 1.2.2 Minimizing the Current Consumption

In all Carriers pin P1\_4 is externally pulled down by the pull-down resistor in DKBLE. The purpose of this resistor is to avoid leakage when using the display. Note that any PIO's configured as peripherals do not have internal pull-down or pull-up capability and thus, when left floating, they will require external pull-down resistor.

***For this reason port P1 can't be configured to have internal pull-ups (the default setting of the module) but the port P1 must be pulled low in the HW configuration file.***

In BLE121LR carrier also pin P0\_7 is externally pulled down by the pull-down resistor in DKBLE.

***For these reasons both ports P1 and P2 must be pulled low in the HW configuration file.***

The PIO used for the display RS (Register Select) signal has an external pull-down resistor in DKBLE (Note that P1\_0 and P1\_1 require external pull-up or pull-down when configured as input).

***For these reasons the PIO used for the RS signal must be driven low when the not writing to the display.***

## 1.3 Sensors, display and USB to UART converter

Device	Manufacturer	Manufacturer Part Number
USB to UART Converter	Prolific	PL2303HX rev.D
Display	Newhaven Display Intl	NHD-C0216CZ-FSW-FBW-3V3
Altimeter	Freescale	MPL3115A2
Accelerometer	Analog Devices	ADXL350BCEZ-RL
External Flash	Winbond	W25X20CLSNI

**Table 2: Sensors, display, external flash and USB to UART converter in DKBLE**

## 2 Getting Started With DKBLE

By default the modules delivered with the DKBLE have demonstration FW which prints the temperature to the display and starts automatically advertising. Several example applications are provided with the SDK package downloadable in the Bluegiga web pages.

To get started with the example applications navigate to

[www.bluegiga.com](http://www.bluegiga.com) → **Products** → **Bluetooth 4.0 Modules**

Select the module of your choice and then navigate to

**Documentation and Software** → **Software Releases** → **Bluetooth Smart Software and SDK**

Download and install the package. After successful installation the tools can be found from the start menu.

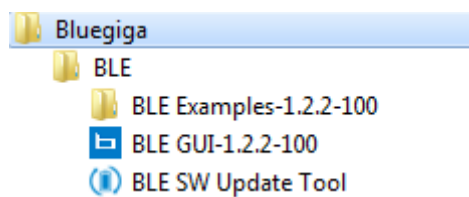


Figure 6: Bluegiga tools and examples in the Windows start menu

### 2.1 Using the On-Board Debugger to Program the Carriers

To program the module in the carrier, connect the debugger with USB to a PC as shown in the Figure 7. Launch the BLE SW Update Tool. Browse to select the project file for the right module carrier, and then click "update". After successful programming, the background of the BLE SW Update Tool turns into green (Figure 8).

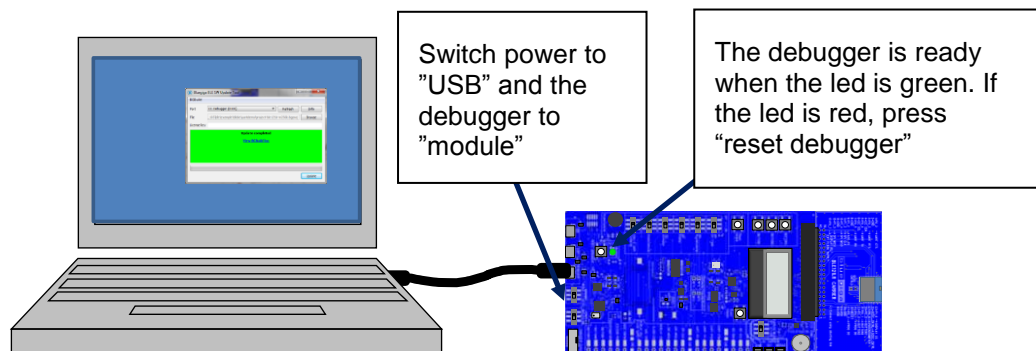


Figure 7: Using the on-board debugger to program the carrier

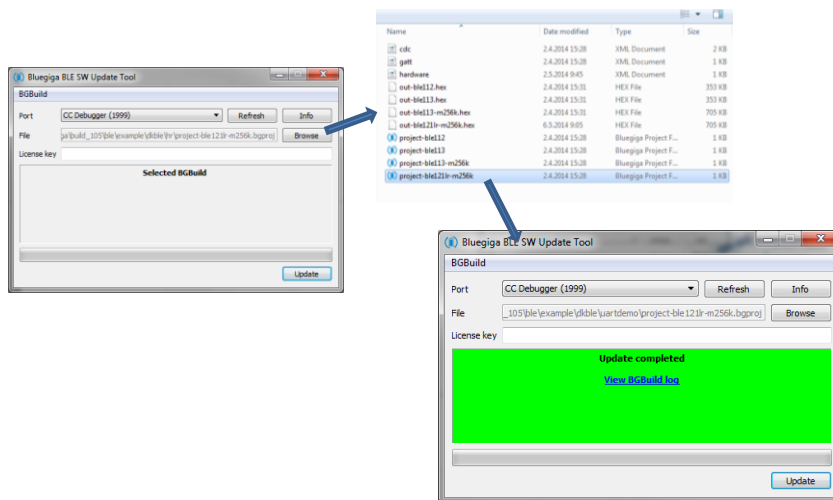


Figure 8: Using the BLE Update Tool

## 2.2 Using the On-Board Debugger to Program External BLE Devices

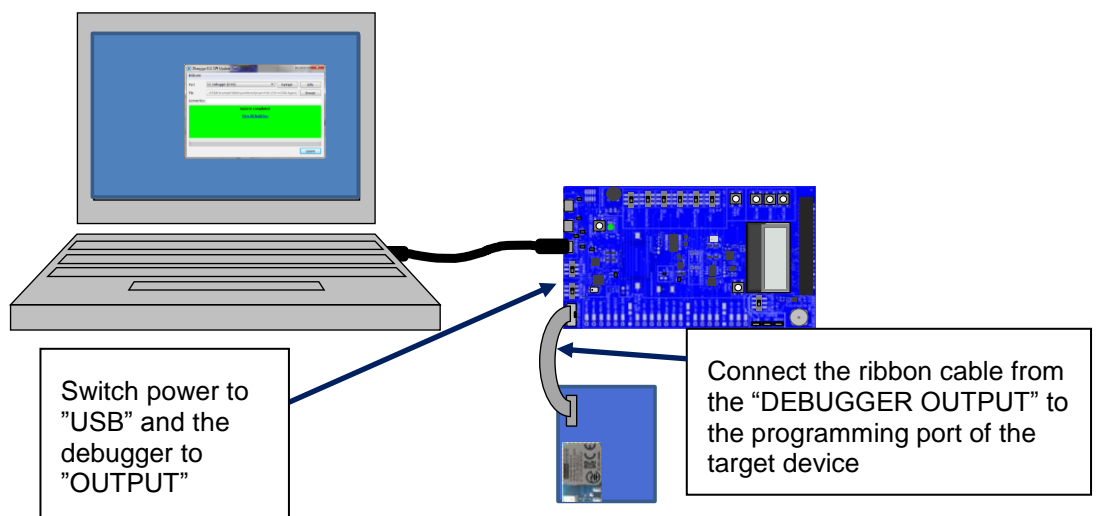


Figure 9: Using the on-board debugger to program external BLE devices

## 2.3 Using the Analog Comparator of BLExxx modules

The analog comparator of BLE112, BLE113 and BLE121LR is fixed to the pins P0\_4 (-) and P0\_5 (+). The pins overlap with the UART TX and RX signals in DKBLE. Thus to use the analog comparator the USB to UART converter must be turned off. Refer to Bluetooth Smart Software API Reference for details about the analog comparator configurations.

### 3 Measuring Current Consumption

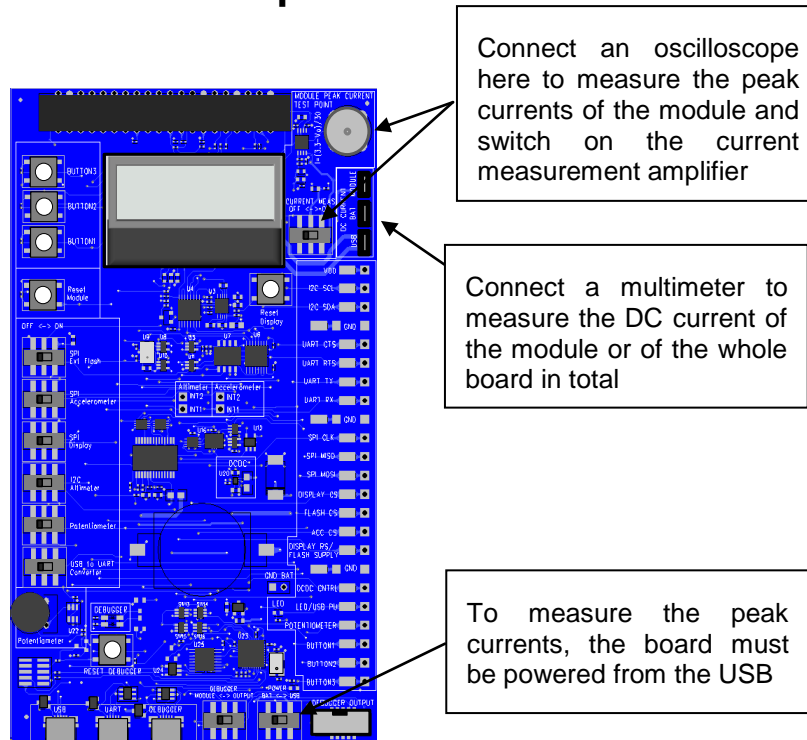


Figure 10: Measuring the current consumption

The peak current consumption of the module is measured over 3 ohm resistor using an instrumentation amplifier with a gain of 10. The instrumentation amplifier is powered from USB 5V line and the DC bias is from the 3V3 LDO. Because the amplifier is powered from the USB VBUS, it can't be used unless USB is connected. If USB is not connected then the instrumentation amplifier must be turned off and by-passed using the switch labeled "CURRENT MEAS OFF<->ON to avoid excessive leakage current into the input of the amplifier.

**NOTE:** Peak current measurement is not possible when the external DCDC is used

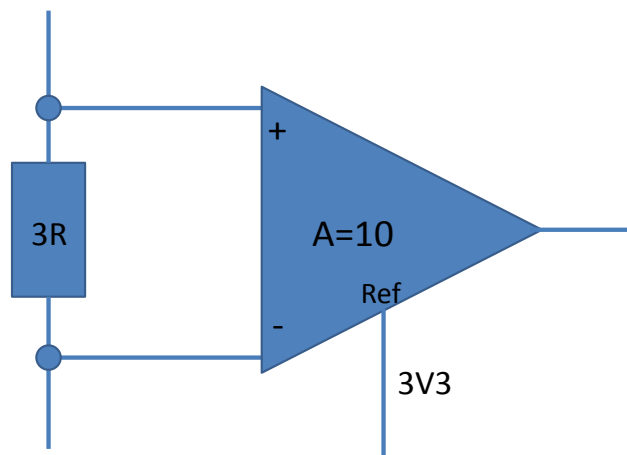


Figure 11: TX current measurement amplifier

To measure the peak TX current consumption of the module, connect a coaxial cable to the BNC connector in the board and to an oscilloscope. Set the oscilloscope

- Coupling: DC
- Vertical scale 500 mV/DIV
- Horizontal scale: 200  $\mu$ s/DIV
- Level: 2.5 V
- Offset: -2.0 V
- Trigger: Normal, falling edge

The instrumentation amplifier inverts the signal. The current consumption is calculated by

$$I = \frac{3.3V - V_o}{30\Omega}$$

*NOTE: Because of the limited common mode input range of the instrumentation amplifier the peak current can only be measured when powering the module from USB.*

## 4 Schematics and Assembly Drawing

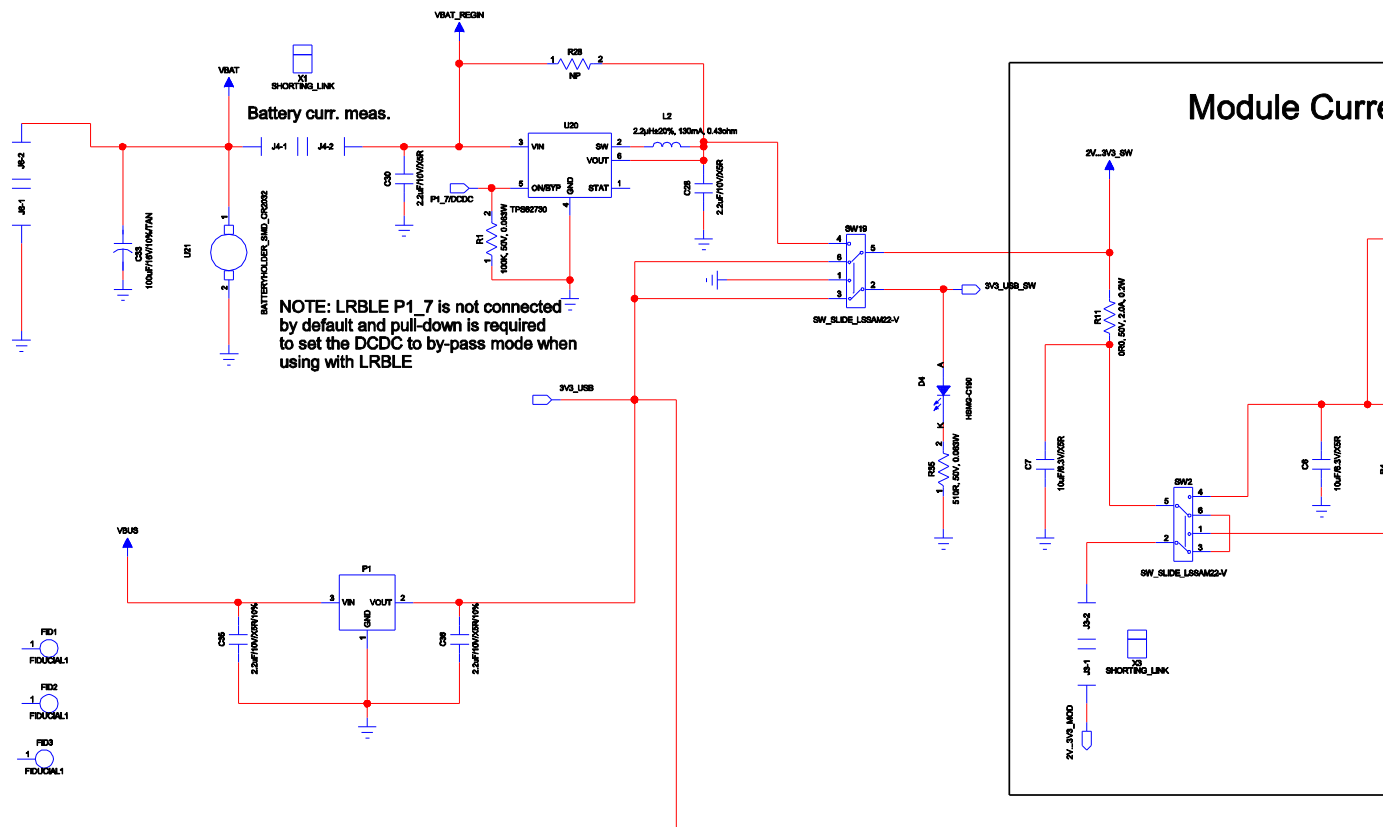


Figure 12: BLE113 Evaluation Board Schematic (1/6)



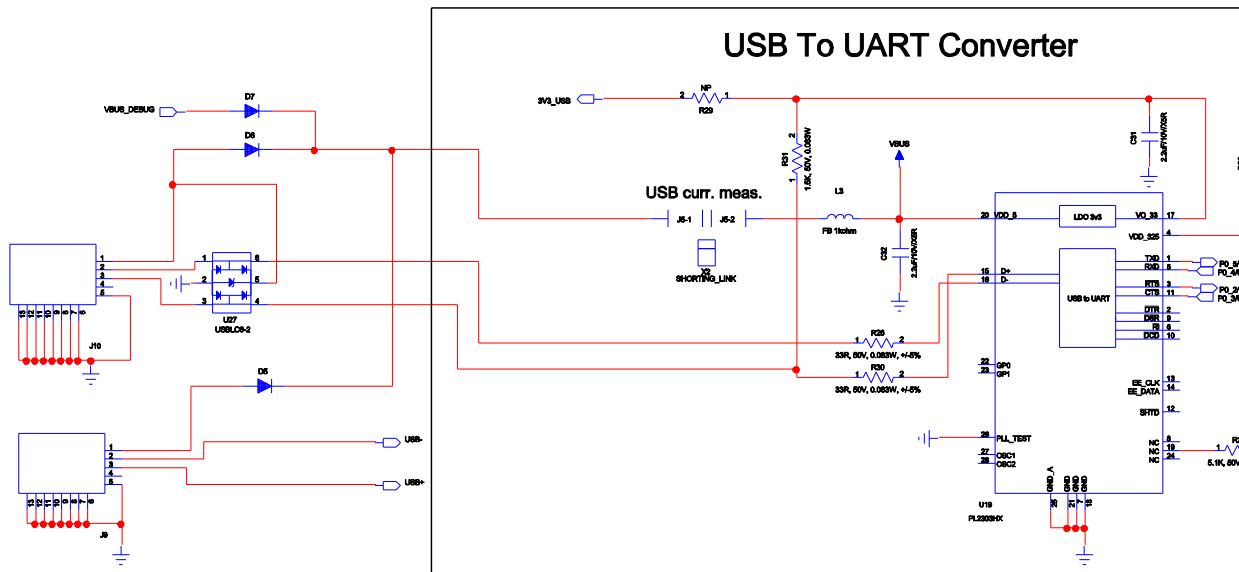
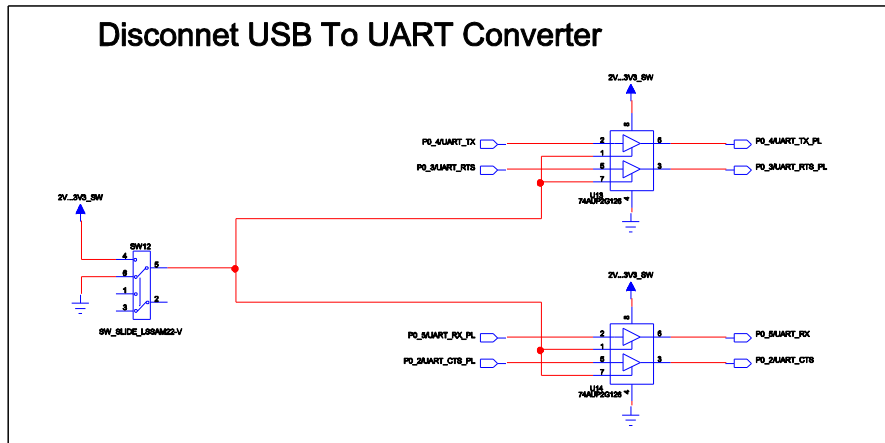


Figure 14: BLE113 Development Board Schematic (3/6)



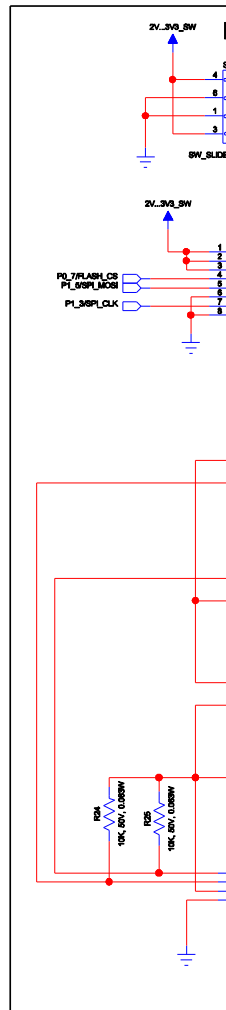
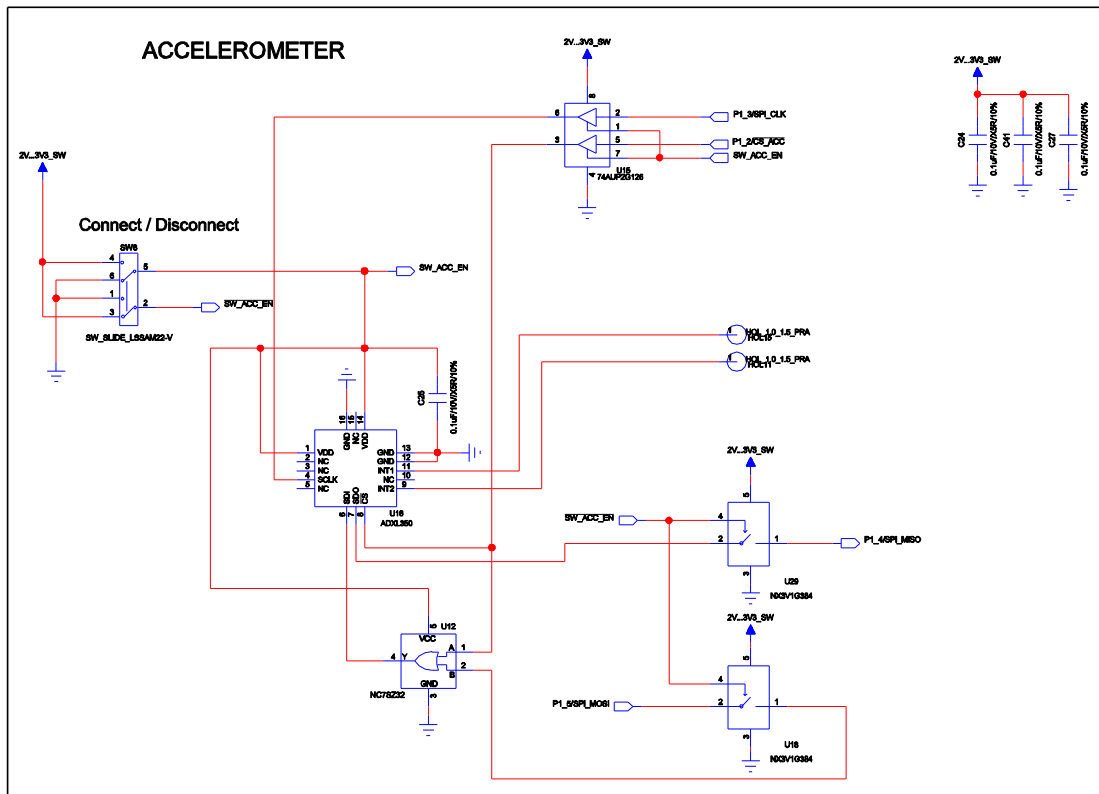


Figure 15: BLE113 Development Board Schematic (4/6)

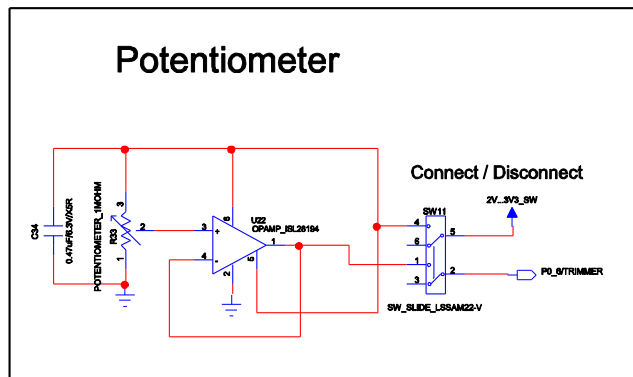
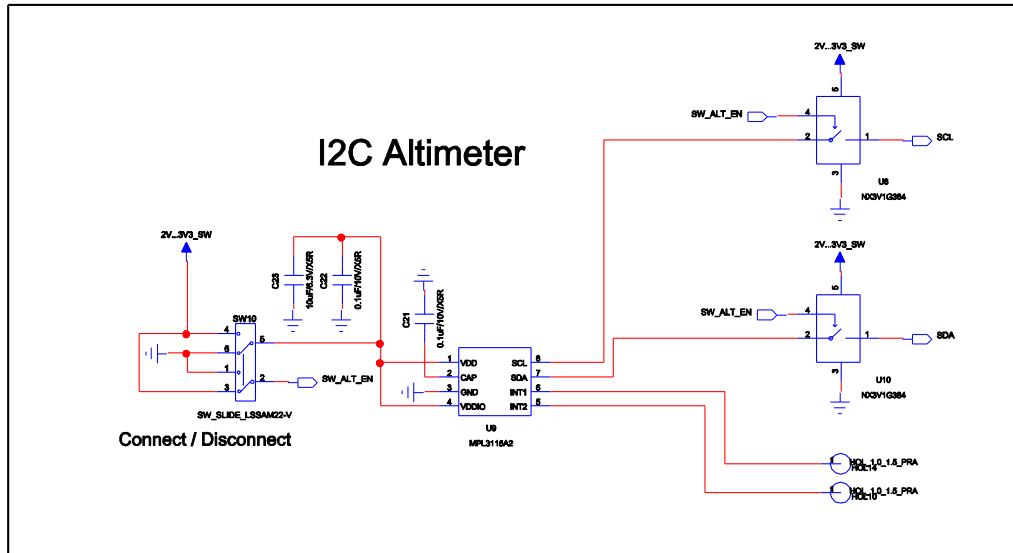


Figure 16: BLE113 Development Board Schematic (5/6)

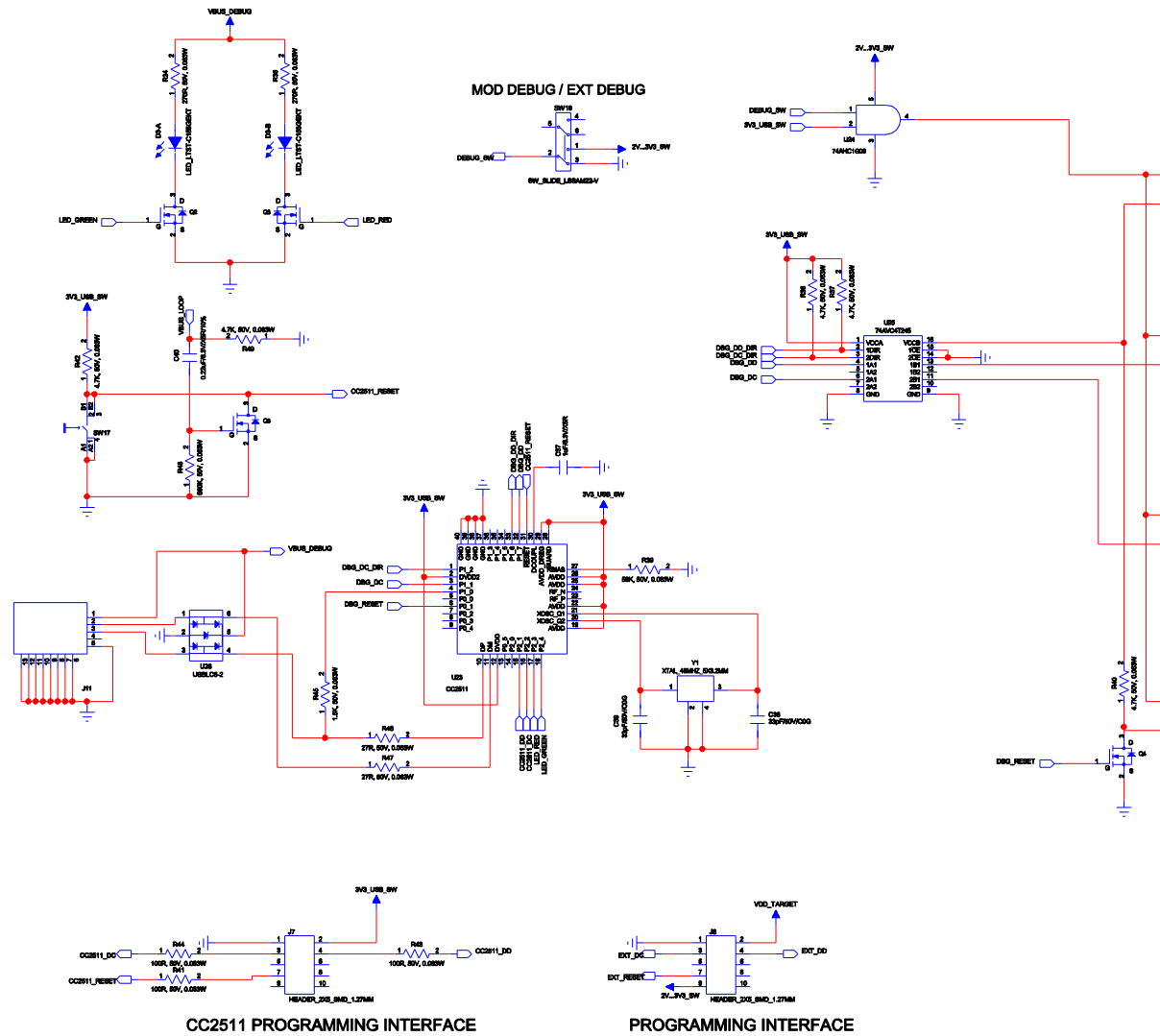


Figure 17: BLE113 Development Board Schematic (6/6)

## 5 WEEE Compliance



The crossed-out wheeled bin means that within the European Union the product must be taken to separate collection at the product end-of-life. Do not dispose of these products as unsorted municipal waste.

## 6 Contact Information

**Sales:** [sales@bluegiga.com](mailto:sales@bluegiga.com)  
**Technical Support:** [www.bluegiga.com/support](http://www.bluegiga.com/support)  
**Orders:** [orders@bluegiga.com](mailto:orders@bluegiga.com)  
**WWW:** [www.bluegiga.com](http://www.bluegiga.com)

### Head Office / Finland:

Phone: +358-9-4355 060  
Fax: +358-9-4355 0660  
Sinikalliontie 5A  
02630 ESPOO  
FINLAND

### Postal address / Finland:

P.O. BOX 120  
02631 ESPOO  
FINLAND

### Sales Office / USA:

Phone: +1 770 291 2181  
Fax: +1 770 291 2183  
Bluegiga Technologies, Inc.  
3235 Satellite Boulevard, Building 400, Suite 300  
Duluth, GA, 30096, USA

### Sales Office / Hong-Kong:

Phone: +852 3972 2186  
Bluegiga Technologies Ltd

## X-ON Electronics

Largest Supplier of Electrical and Electronic Components

*Click to view similar products for [Bluetooth Development Tools - 802.15.1 category](#):*

*Click to view products by [Silicon Labs manufacturer](#):*

Other Similar products are found below :

[DA14580PRODTLKT](#) [1628](#) [MBH7BLZ02-EF-KIT](#) [CYBLE-014008-PROG](#) [FWM7BLZ20-EB-KIT](#) [ATSAMB11ZR-XPRO](#) [SKY66111-21EK1](#) [SECO-RSL10-TAG-GEVB](#) [ENW89857AXKF](#) [3026](#) [MIKROE-2471](#) [MOD-NRF8001](#) [BLE-IOT-GEVB](#) [450-0184](#) [MIKROE-2399](#) [EKSHCNZXZ](#) [EVAL\\_PAN1026](#) [EVAL\\_PAN1720](#) [EVAL\\_PAN1740](#) [2267](#) [2479](#) [2487](#) [2633](#) [STEVAL-IDB005V1D](#) [STEVAL-IDB001V1](#) [MIKROE-2545](#) [SIPKITSLF001](#) [2995](#) [STEVAL-IDB007V1M](#) [2829](#) [DFR0267](#) [DFR0296](#) [DFR0492](#) [TEL0073](#) [BM-70-CDB](#) [WSM-BL241-ADA-008DK](#) [STEVAL-BTDP1](#) [ACD52832](#) [TEL0095](#) [ISP1507-AX-TB](#) [RN-4871-PICTAIL](#) [DA14695-00HQDEVKT-P](#) [DA14695-00HQDEVKT-U](#) [EVK-NINA-B112](#) [EBSHJNZXZ](#) [EKSGJNZWY](#) [EKSHJNZXZ](#) [BMD-200-EVAL-S](#) [ACN BREAKOUT BOARD](#) [ACN SKETCH](#)