

RS9113 USB Half Mini Card: A Multi Protocol Wireless Mini PCI Express (PCIe) Card



PRODUCT BRIEF

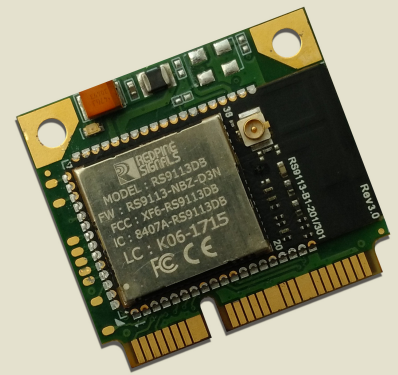
RS9113

RS9113 USB Half Mini Card: A Multi Protocol Wireless Mini PCI Express (PCIe) Card

The RS9113 USB Half Mini Card is based on Redpine Signals' RS9113 ultra-low-power Convergence SoC. It offers dual-band 1x1 802.11n, dual-mode Bluetooth 4.0 and ZigBee 802.15.4 in a single device over USB in a Mini PCIe Card form factor.

The RS9113 USB Half Mini Card is a high performance, long range and ultra-low power device and includes a multi-threaded MAC processor called ThreadArch®, baseband digital signal processor, calibration OTP memory, dual-band RF transceiver, dual-band high-power amplifiers, baluns, diplexers, diversity switch, dual-band antenna, u.FL connector and Quad-SPI flash.

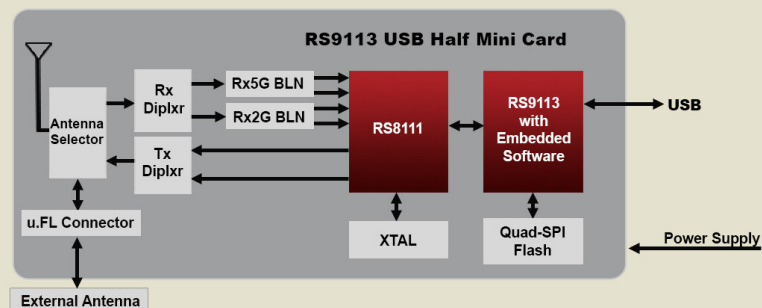
The software architecture for the USB Half Mini Card, n-Link®, realizes a host-based architecture where the necessary MAC and PHY layers are implemented in the device to support high-performance, long range WLAN, Bluetooth and ZigBee applications in a 32-bit host processor over USB interface.



Multi-protocol Wireless Features:

- WLAN Compliant with IEEE 802.11 a/b/g/n with dual band support.
- WLAN transmit power up to +18dBm and receiver with sensitivity of -97dBm.
- Wi-Fi Direct, Enterprise Security, Client and Access Point modes of operation.
- Bluetooth Compliant with dual-mode Bluetooth v4.0
- Bluetooth transmit power up to 15dBm (class-1) with integrated PA
- Bluetooth receiver with -94dBm sensitivity.
- ZigBee Compliant with IEEE 802.15.4
- ZigBee output powers up to +15dBm with integrated PA and high performance ZigBee receiver with -102dBm sensitivity.
- Embedded ZigBee Pro stack.
- Supports advanced security features: WPA/WPA2-Personal and Enterprise(EAP-TLS, EAP-FAST, EAP-TTLS, EAP-PEAP)
- Seamless integration with 32-bit processors over USB.

System Block Diagram:



Wireless Specifications

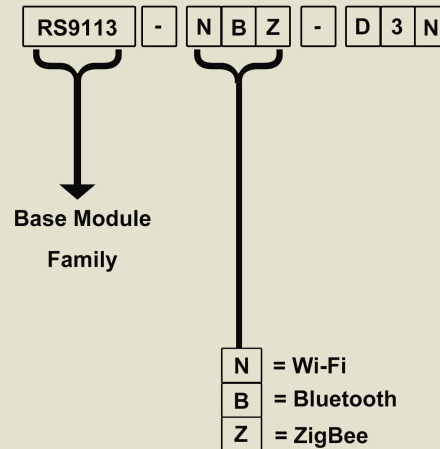
Network Standard Support	IEEE 802.11 a/b/g/n, 802.11j†, 802.11d/e/i, 802.11w†, 802.1X, 802.11k†, 802.11v†, 802.11r†, 802.11h† Bluetooth v2.1 EDR, v4.0 802.15.4-2009 (2.4GHz)
Data Rates	802.11n: from 6.5 Mbps to 150 Mbps (MCS 0-7) 802.11a/g: from 6 Mbps to 54 Mbps 802.11b: from 1 Mbps to 11 Mbps Bluetooth: 1, 2, 3Mbps 802.15.4-2009: 250Kbps
Modulation Techniques	OFDM with BPSK, QPSK, 16-QAM, 64-QAM 802.11b with CCK and DSSS Bluetooth: GFSK, DQPSK, 8DPSK 802.15.4-2009: DSSS
802.11n Advanced Features	1-SS, 40MHz bandwidth, Greenfield Preamble, Short-GI, 1 spatial stream STBC, RIFS, A-MSDU, A-MPDU, Aggregation with Block-ack, A-MSDU inside A-MPDU and Virtual AP support
Bluetooth Advanced Features†	Scatternet, Adaptive Frequency Hopping, Interlaced scanning, 15 active slaves in proprietary mode, hold, sniff and park modes
ZigBee Advanced Features	CCM* security, orphan scanning, coordinator realignment
Wi-Fi modes	Wi-Fi client, Access point, Wi-Fi Direct
Bluetooth Modes	Master, slave, scatternet†
ZigBee Modes	ZigBee Coordinator†, Router†, End device
QoS	WMM and WMM Power Save Support
Host Interfaces	USB 2.0
Supply Voltage	3.0-3.6V
Operating Temperature	Industrial Grade -40°C to +85°C
Software and Regulatory Certification	Wi-Fi Alliance Compliance (802.11bgn, WPA, WPA2 Personal and Enterprise, WMM, WMM-PS, WPS, Wi-Fi Direct™, Voice-Personal, Protected management frames†), Cisco CCX v5†, Bluetooth-SIG Qualification†, Worldwide Regulatory Compliance: FCC (IDs are XF6-RS9113SB, XF6-RS9113DB) IC (IDs are 8407A-RS9113SB, 8407A-RS9113DB) CE/ETSI, TELEC†, SRRC†
Typical Transmit Power(+/- 2 dBm)	Wi-Fi: 18 dBm for 802.11b DSSS 18 dBm for 802.11g/n OFDM 12 dBm for 802.11a/n OFDM Bluetooth: 15 dBm ZigBee : 15 dBm
Rx sensitivity (+/- 1dBm)	Wi-Fi: 1Mbps -97 dBm (< 8% PER) 54 Mbps -76.5 dBm (< 10% PER) MCS7(20MHz) -73 dBm (< 10% PER) MCS7(40MHz) -69.5 dBm (< 10% PER) Bluetooth: 1 Mbps -94 dBm 2 Mbps -92 dBm 3 Mbps -84 dBm BTLE(1Mbps) -91 dBm ZigBee: 250 Kbps -102 dBm (< 8% PER)

Applications:

- IoT gateway
- IoT node
- Industrial monitoring and control
- Industrial/Home gateway
- Medical devices

Device Ordering Information

The device numbering is based on the following naming convention. All the devices are labeled as RS9113-NBZ-D3N



Package Description:



Half Mini Card Dimensions	LxWxH (mm)
	30 x 26.8 x 5.35

†: These features are not supported by current software releases. Contact Redpine Signals Sales (sales@redpinesignals.com) for details.

‡: These certifications are in progress at this time. Contact Redpine Signals Sales (sales@redpinesignals.com) for more details and for certifications not listed here.

For additional information, please contact Sales at Redpine Signals, Inc.:

Redpine Signals, Inc. • 2107 North First Street • Suite 680 • San Jose, CA 95131

Phone: +1408 748 3385 • Email: sales@redpinesignals.com

Redpine Signals, Inc. reserves the right to make changes to the product(s) or information contained herein without notice. No Liability is assumed as a result of their use or application. Redpine, Redpine Signals, the Redpine logo, Driving Wireless Convergence, WiSeConnect and Lite-Fi are trademarks of Redpine Signals, Inc. All other company names, products and logos are registered trademarks of their respective companies.

© Copyright 2015 Redpine Signals, Inc. All Rights Reserved.

REDPINE SIGNALS[®]
DRIVING WIRELESS CONVERGENCE[®]
www.redpinesignals.com

X-ON Electronics

Largest Supplier of Electrical and Electronic Components

Click to view similar products for [WiFi Modules - 802.11](#) category:

Click to view products by [Silicon Labs](#) manufacturer:

Other Similar products are found below :

[KBPC10/15/2506WP](#) [WIFI-RT5392-SB-R10](#) [SX-PCEAN2C-SP](#) [849WM520100E](#) [WIFI-AT2350](#) [7265.NGWG.SW](#) [HDG204-DN-3](#) [FXX-3061-MIX](#) [EMIO-1533-00A2](#) [7265.NGWWB.W](#) [PPC-WL-KIT02-R11](#) [RC-CC2640-B](#) [HLK-7688A](#) [E70-433T14S](#) [WH-NB73-BA](#) [NF-02-PA](#) [EAR00364](#) [ATSAMW25H18-MR210PB1961](#) [3168.NGWG](#) [MY-WF003U](#) [AX210.NGWG.NV](#) [ESP-15F32Mbit](#) [ESP32-S32Mb](#) [TG-01M](#) [ESP-13](#) [ESP-01F-2M](#) [ESP-01E-2M](#) [ESP-12S-8285-2M](#) [ESP-20](#) [ESP32-SL](#) [ESP-12K-PSRAM](#) [ESP-12K](#) [ESP-12K-PSRAM-IPEX](#) [ESP-12H](#) [BW18](#) [BW12-16Mb](#) [BW14](#) [BW15](#) [BW16](#) [TG-12F](#) [SIM7600CE-L1S](#) [CB3S\(tjrl\)](#) [CB3S\(hvk9\)](#) [CB3S\(qh6\)](#) [WB2S\(csyd\)](#) [WB3S\(ppty\)](#) [WB3S\(h238\)](#) [WB3S\(uvmz\)](#) [1005869](#) [1012](#)