

RS9116 n-Link™ and WiSeConnect™ Wi-Fi® and Dual-mode Bluetooth® 5 Wireless Connectivity CC0 Module Solutions



LGA Module (CC0)
9.10 mm X 9.80 mm

Overview

1.1 Features

Wi-Fi

- Compliant to 1x1 IEEE 802.11 a/b/g/n with dual band (2.4 and 5 GHz) support
- Transmit power up to +18 dBm in 2 GHz and +13.5 dBm in 5 GHz
- Receive sensitivity as low as -96 dBm in 2 GHz and -89 dBm in 5 GHz
- Data Rates: 802.11b: Up to 11 Mbps; 802.11g/a: Up to 54 Mbps; 802.11n: MCS0 to MCS7
- Operating Frequency Range: 2412 MHz – 2484 MHz, 4.9 GHz – 5.975 GHz

Bluetooth

- Transmit power up to +17 dBm with integrated PA
- Receive sensitivity: LE: -92 dBm, LR 125 Kbps: -103 dBm
- Compliant to dual-mode Bluetooth 5
- <8 mA transmit current in Bluetooth 5 mode, 2 Mbps data rate
- Data rates: 125 Kbps, 500 Kbps, 1 Mbps, 2 Mbps, 3 Mbps
- Operating Frequency Range: 2.402 GHz - 2.480 GHz
- Bluetooth 2.1 + EDR, Bluetooth Low Energy 4.0 / 4.1 / 4.2 / 5.0
- Bluetooth Low Energy 1 Mbps, 2 Mbps and Long Range modes
- Bluetooth Low Energy Secure connections
- Bluetooth Low Energy supports central role and peripheral role concurrently
- Bluetooth auto rate and auto TX power adaptation
- Scatternet* with two slave roles while still being visible

RF Features

- Integrated baseband processor with calibration memory, RF transceiver, high-power amplifier, balun and T/R switch
- Dual external antenna (diversity supported)

Power Consumption (2.4 GHz)

- Wi-Fi Standby Associated mode current: 102 uA @ 1 second beacon interval
- Wi-Fi 1 Mbps Listen current: 14 mA
- Wi-Fi LP chain Rx current: 20 mA
- Deep sleep current <1 uA, Standby current (RAM retention) < 10 uA

Operating Conditions

- Wide operating supply range: 1.75 V to 3.63 V
- Operating temperature: -40 °C to +85 °C (Industrial grade)

Size

- Small Form Factor: 9.1 x 9.8 x 1.6 mm

Software Operating Modes

- Hosted mode (n-Link™): Wi-Fi stack, Bluetooth stack and profiles and all network stacks reside on the host processor
- Embedded mode (WiSeConnect™): Wi-Fi stack, TCP/IP stack, IP modules, Bluetooth stack and some profiles reside in RS9116; Some of the Bluetooth profiles reside in the host processor

Hosted Mode (n-Link™)

- Available host interfaces: SDIO 2.0 and USB HS
- Support for 20 MHz channel bandwidth
- Application data throughput up to 50 Mbps (Hosted Mode) in 802.11n with 20 MHz bandwidth
- Host drivers for Linux
- Support for Client mode, Access point mode (Up to 16 clients), Concurrent Client and Access Point mode, and Enterprise Security
- Support for concurrent Wi-Fi, dual-mode Bluetooth 5

Embedded Mode (WiSeConnect™)

- Available host interface: UART, SPI, and USB CDC
- Support for Embedded Client mode, Access Point mode (Up to 8 clients), Concurrent Client and Access Point mode, and Enterprise Security

- Supports advanced security features: WPA/WPA2-Personal and Enterprise
- Integrated TCP/IP stack, HTTP/HTTPS, SSL/TLS, MQTT
- Bluetooth inbuilt stack support for L2CAP, RFCOMM, SDP, SPP, GAP
- Bluetooth profile support for GAP, SDP, SPP, GATT, L2CAP, RFCOMM
- Wireless firmware update and provisioning
- Support for concurrent Wi-Fi, dual-mode Bluetooth 5

Security

- Accelerators: AES128/256 in Embedded Mode
- WPA/WPA2-Personal, WPA/WPA2 Enterprise for Client

Software and Regulatory Certification

- Wi-Fi Alliance*
- Bluetooth Qualification*
- Regulatory certifications (FCC, IC, CE/ETSI, TELEC)*

Evaluation Kit

- Dual Band EVK: RS9116X-DB-EVK1

* For a detailed list of software features and available profiles, refer to the Software Reference Manuals or contact Silicon Labs for availability.

All power and performance numbers are under ideal conditions.

1.2 Applications

Wearables

Smart Watches, Wristbands, Fitness Monitors, Smart Glasses, etc.

Smart Home

Smart Locks, Motion/Entrance Sensors, Water Leak sensors, Smart plugs/switches, LED lights, Door-bell cameras, Washers/Dryers, Refrigerators, Thermostats, Consumer Security cameras, Voice Assistants, etc.

Other Consumer Applications

Toys, Anti-theft tags, Smart dispensers, Weighing scales, Blood pressure monitors, Blood sugar monitors, Portable cameras, etc.

Other Applications (Medical, Industrial, Retail, Agricultural, Smart City, etc.)

Healthcare Tags, Medical patches/pills, Infusion pumps, Sensors/actuators in Manufacturing, Electronic Shelf labels, Agricultural sensors, Product tracking tags, Smart Meters, Parking sensors, Street LED lighting, Automotive After-market, Security Cameras, etc.

1.3 Description

Silicon Labs' RS9116 dual band CC0 module provide a comprehensive multi-protocol wireless connectivity solution including 802.11 a/b/g/n (2.4GHz and 5GHz), and dual-mode Bluetooth 5. The modules offer high throughput, extended range with power-optimized performance. The modules are FCC, IC, and ETSI/CE certified.

1.4 Block Diagrams

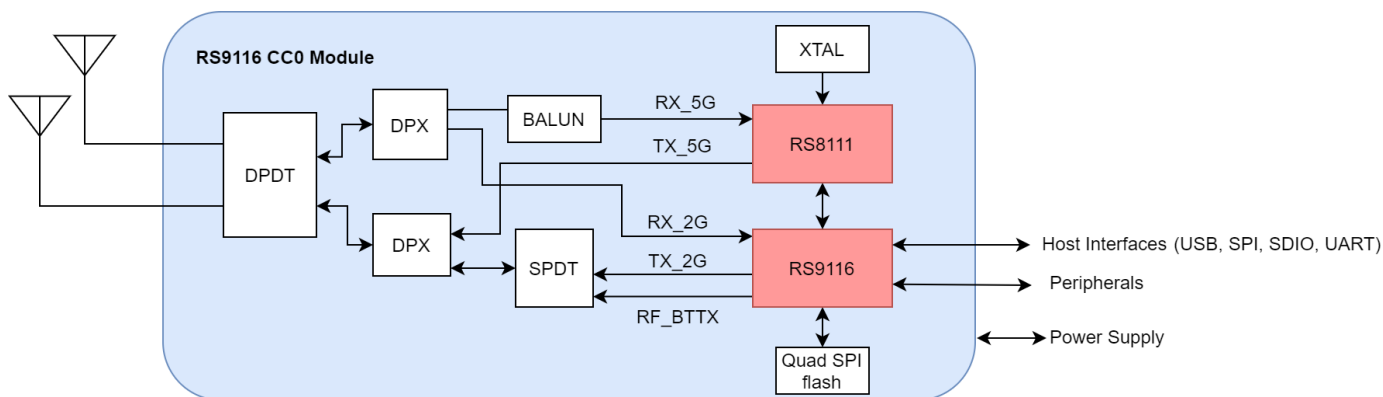


Figure 1. CC0 Module Block Diagram

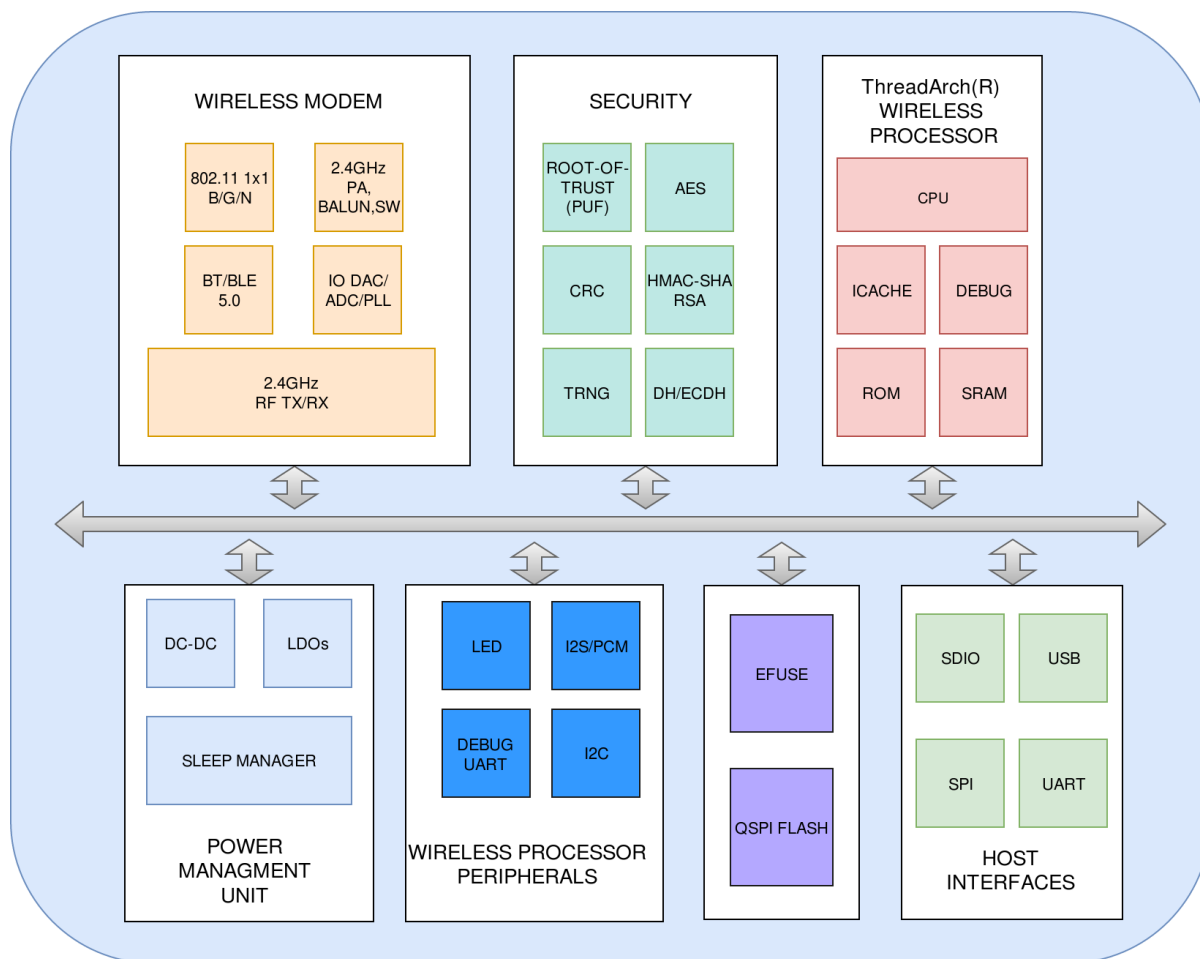


Figure 2. RS9116 Connectivity Hardware Block Diagram

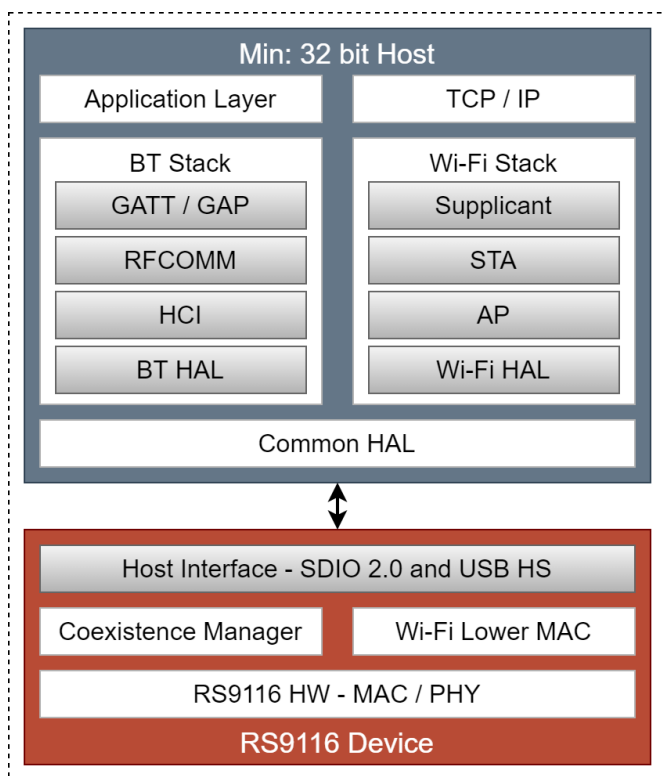


Figure 3. Hosted Software Architecture

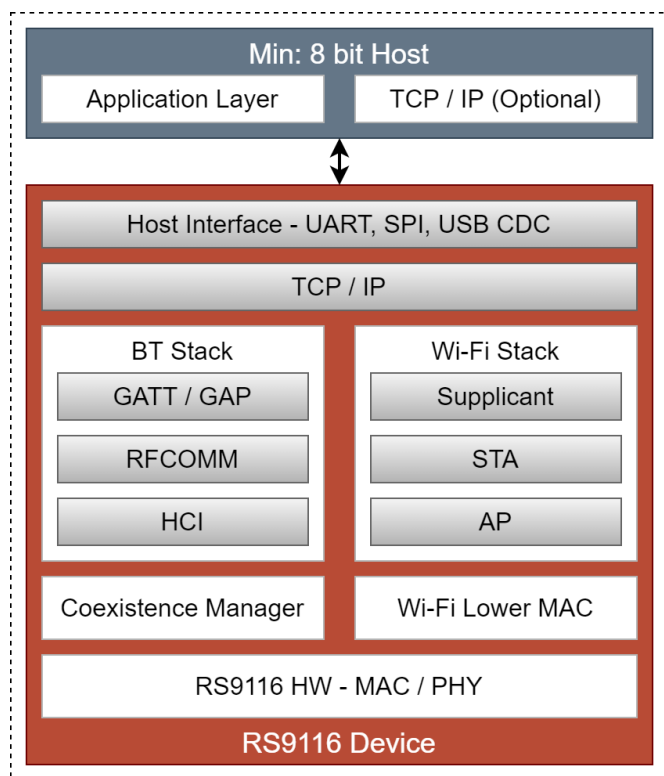


Figure 4. Embedded Software Architecture

1.5 Device Information

Part Number	Flash Type	Package Type	Package Size	Silicon Rev	Firmware Version
RS9116W-DB00-CC0-X24	Internal	SIP,LGA(173)	9.1 mm x 9.8 mm x 1.6 mm	1.3	1.2.24
RS9116W-DB00-CC0-B24	Internal	SIP,LGA(173)	9.1 mm x 9.8 mm x 1.6 mm	1.4	1.2.24
RS9116W-DB00-CC0-B2A	Internal	SIP,LGA(173)	9.1 mm x 9.8 mm x 1.6 mm	1.4	2.0
RS9116N-DB00-CC0-X00	Internal	SIP,LGA(173)	9.1 mm x 9.8 mm x 1.6 mm	1.3	Not Applicable
RS9116N-DB00-CC0-B00	Internal	SIP,LGA(173)	9.1 mm x 9.8 mm x 1.6 mm	1.4	Not Applicable

Table of Contents

1	Overview	1
1.1	Features	1
1.2	Applications	2
1.3	Description	2
1.4	Block Diagrams	3
1.5	Device Information	4
2	RS9116 CC0 Module Pinout and Pin Description	7
2.1	Pin Diagram.....	7
2.2	Pin Description	8
2.2.1	RF & Control Interfaces	8
2.2.2	Power & Ground Pins	8
2.2.3	Host & Peripheral Interfaces.....	10
2.2.4	Miscellaneous Pins.....	22
3	RS9116 CC0 Module Specifications.....	23
3.1	Absolute Maximum Ratings.....	23
3.2	Recommended Operating Conditions	24
3.3	DC Characteristics	25
3.3.1	Reset Pin.....	25
3.3.2	Power Sequence	26
3.3.3	Digital Input Output Signals	30
3.3.4	USB.....	30
3.3.5	Pin Capacitances.....	30
3.4	AC Characteristics.....	30
3.4.1	Clock Specifications	30
3.4.2	SDIO 2.0 Slave.....	32
3.4.3	SPI Slave.....	33
3.4.4	USB.....	35
3.4.5	UART.....	36
3.4.6	I2C Master and Slave	36
3.4.7	I2S/PCM Master and Slave	37
3.4.8	GPIO pins.....	38
3.5	RF Characteristics.....	39
3.5.1	WLAN 2.4 GHz Transmitter Characteristics	39
3.5.2	WLAN 2.4 GHz Receiver Characteristics on High-Performance (HP) RF Chain	41
3.5.3	WLAN 2.4 GHz Receiver Characteristics on Low-Power (LP) RF Chain.....	42
3.5.4	Bluetooth Transmitter Characteristics on High-Performance (HP) RF Chain	44
3.5.5	Bluetooth Transmitter Characteristics on Low-Power (LP) 0 dBm RF Chain.....	45
3.5.6	Bluetooth Receiver Characteristics on High-Performance (HP) RF Chain	46
3.5.7	Bluetooth Receiver Characteristics on Low-Power (LP) RF Chain.....	49
3.5.8	WLAN 5GHz Transmitter Characteristics	51
3.5.9	WLAN 5GHz Receiver Characteristics	53
3.6	Typical Current Consumption.....	56
3.6.1	3.3 V.....	56
4	RS9116 CC0 Module Detailed Description	59
4.1	Overview.....	59
4.2	Module Features	59
4.2.1	WLAN.....	59
4.2.2	Bluetooth	59
4.2.3	RF Transceiver.....	61
4.2.4	Host Interfaces	61
4.2.5	Wireless Coexistence Manager	61
4.2.6	Software	61
4.2.7	Security	62
4.2.8	Power Management	62
4.2.9	Low power modes	63
4.2.10	Memory	64
5	RS9116 CC0 Module Reference Schematics, BOM and Layout Guidelines	65
5.1	SDIO/SPI/UART	65
5.1.1	Schematics.....	65
5.1.2	Bill of Materials	67
5.2	USB/USB-CDC.....	68
5.2.1	Schematics.....	68
5.2.2	Bill of Materials	70

5.3	Layout Guidelines.....	71
6	RS9116 CC0 Module Storage, Handling and Soldering Conditions	74
6.1	Recommended Reflow Profile.....	74
6.2	Baking Instructions	74
7	RS9116 CC0 Module Package Description.....	75
7.1	Dimensions.....	75
7.2	Package Outline.....	75
7.3	Pin Locations	76
7.4	PCB Landing Pattern.....	78
7.4.1	Packing Information of Modules with Package Codes CC0.....	78
8	RS9116 CC0 Module Certification and Ordering Information	80
8.1	Certification Information	80
8.2	Compliance and Certification	80
8.2.1	Federal Communication Commission Statement.....	80
8.2.2	Industry Canada / ISED Statement.....	81
8.2.3	CE	82
8.2.4	TELEC.....	82
8.2.5	Qualified Antenna Types	82
8.2.6	Module Marking Information	83
8.3	Module Package.....	84
8.4	Ordering Information	84
8.4.1	Device Nomenclature	85
9	RS9116 CC0 Module Documentation and Support	86
9.1	Resource Location	86
10	RS9116 CC0 Module Revision History	87

2 RS9116 CC0 Module Pinout and Pin Description

2.1 Pin Diagram



Figure 5. Pin Diagram

2.2 Pin Description

2.2.1 RF & Control Interfaces

Pin Name	Pin Number	I/O Supply Domain	Direction	Initial State (Power u Active Reset)
RF_PORT1	N12	NA	Inout	NA
RF_PORT2	N14	NA	Inout	NA
RESET_N	K2	UULP_VBATT_1	Input	NA
POC_IN	H1	UULP_VBATT_1	Input	NA
POC_OUT	J2	UULP_VBATT_1	Ouput	NA

Table 1. RF & Control Interfaces

2.2.2 Power & Ground Pins

Pin Name	Type	Pin Number	Direction	Description
UULP_VBATT_1	Power	D5	Input	Always-on VBATT Po
UULP_VBATT_2	Power	D4	Input	Always-on VBATT Po
RF_VBATT	Power	F7	Input	Always-on VBATT Po
VINBCKDC	Power	B4	Input	Power supply for the e
VOUTBCKDC	Power	C5	Output	Output of the on-chip
VINLDOSOC	Power	A4	Input	Power supply for SoC Reference Schematic
VOUTLDOSOC	Power	A3	Output	Output of SoC LDO

RS9116 CC0 Connectivity Module Datasheet v1.0.8, Dec-2020

VOUTLDO1P8	Power	B5	Output	Output of 1.8V LDO
VOUTLDOAFE	Power	H8	Output	Output of AFE LDO
IO_VDD_1	Power	B3	Input	I/O Supply for GPIOs which GPIOs have this pin
SDIO_IO_VDD	Power	B9	Input	I/O Supply for SDIO I/O which GPIOs have this pin
ULP_IO_VDD	Power	B6	Input	I/O Supply for ULP GPIOs
PA2G_AVDD	Power	E9	Input	Power supply for the PA2G
PA5G_AVDD	Power	H7, N7	Input	Power supply for the PA5G
RF_AVDD	Power	D10	Input	Power supply for the RF VOUTBCKDC as per the Reference Schematics
RF_AVDD_BTTX	Power	H10	Input	Power supply for Bluetooth VOUTLDOAFE as per the Reference Schematics
RF_AVDD33	Power	K3	Input	Power supply for the RF 3.3V
AVDD_1P9_3P3	Power	J5, M4, M5, N5, N8	Input	Power supply for the 1.9V and 3.3V
AVDD_1P2	Power	J3	Input	Power supply for the 1.2V the Reference Schematics
UULP_VOUTSCDC	Power	D3	Output	UULP Switched Capacitor
UULP_VOUTSCDC_RETEN	Power	C2	Output	UULP Retention Supply
UULP_AVDD	Power	D6	Input	Power supply for the UULP to UULP_VOUTSCDC
USB_AVDD_3P3	Power	B7	Input	Power Supply for the USB 3.3V
USB_AVDD_1P1	Power	A5	Input	Power supply for the USB 1.1V
GND	Ground	B1, B13, C4, D8, F2, F6, F10, F11, F12, F13, G8, G10, G11, G12, G13, G14, H6, H9, H11, H12, H13, H14, J4, J6, J8, J9, J10, J11, J12, J13, J14,	GND	Common ground pins

		K1, K4, K5, K6, K8, K9, K10, K11, K12, L1, L2, L3, L4, L6, L9,L10,L11, L12, L13, M1, M2, M3, M9, M10, M11, M12, M13, M14, N1, N2, N11, N13		
--	--	--	--	--

Table 2. Power and Ground Pins

2.2.3 Host & Peripheral Interfaces

Pin Name	Pin Number	I/O Supply Domain	Direction	Initial State (Power u Active Reset)
GPIO_6	E14	IO_VDD_1	Inout	HighZ
GPIO_7	D9	IO_VDD_1	Inout	HighZ
UART1_RX	C9	IO_VDD_1	Inout	HighZ

Pin Name	Pin Number	I/O Supply Domain	Direction	Initial State (Power u Active Reset)
UART1_TX	E13	IO_VDD_1	Inout	HighZ
GPIO_10	E12	IO_VDD_1	Inout	HighZ
GPIO_11	A14	IO_VDD_3	Inout	HighZ
GPIO_12	E11	IO_VDD_1	Inout	HighZ

Pin Name	Pin Number	I/O Supply Domain	Direction	Initial State (Power u Active Reset)
GPIO_15	A12	IO_VDD_1	Inout	HighZ
SDIO_CLK/SPI_CLK	A11	SDIO_IO_VDD	Inout	HighZ

Pin Name	Pin Number	I/O Supply Domain	Direction	Initial State (Power u Active Reset)
SDIO_CMD/SPI_CSN	A10	SDIO_IO_VDD	Inout	HighZ
SDIO_D0/SPI_MOSI	B10	SDIO_IO_VDD	Inout	HighZ

Pin Name	Pin Number	I/O Supply Domain	Direction	Initial State (Power u Active Reset)
SDIO_D1/SPI_MISO	A9	SDIO_IO_VDD	Inout	HighZ
SDIO_D2/SPI_INTR	B8	SDIO_IO_VDD	Inout	HighZ

Pin Name	Pin Number	I/O Supply Domain	Direction	Initial State (Power u Active Reset)
SDIO_D3/SPI_ERR_INT R/USB_CDC_DIS	A8	SDIO_IO_VDD	Inout	Pullup
GPIO_38	E7	IO_VDD_1	Inout	HighZ
GPIO_46	D14	IO_VDD_1	Inout	HighZ
GPIO_47	C13	IO_VDD_1	Inout	HighZ

Pin Name	Pin Number	I/O Supply Domain	Direction	Initial State (Power up / Active Reset)
GPIO_48	D12	IO_VDD_1	Inout	HighZ
GPIO_49	D13	IO_VDD_1	Inout	HighZ
GPIO_50	B14	IO_VDD_1	Inout	HighZ
GPIO_51	C14	IO_VDD_1	Inout	HighZ
GPIO_52	C11	IO_VDD_1	Inout	HighZ
GPIO_53	D11	IO_VDD_1	Inout	HighZ
GPIO_54	B12	IO_VDD_1	Inout	HighZ
GPIO_55	C12	IO_VDD_1	Inout	HighZ
GPIO_56	B11	IO_VDD_1	Inout	HighZ
GPIO_57	C10	IO_VDD_1	Inout	HighZ
ULP_GPIO_0	D1	IO_VDD_1	Inout	HighZ

Pin Name	Pin Number	I/O Supply Domain	Direction	Initial State (Power u Active Reset)
ULP_GPIO_1	B2	IO_VDD_1	Inout	HighZ
ULP_GPIO_4	F1	IO_VDD_1	Inout	HighZ
ULP_GPIO_5	H4	IO_VDD_1	Inout	HighZ

Pin Name	Pin Number	I/O Supply Domain	Direction	Initial State (Power u Active Reset)
ULP_GPIO_6	E6	IO_VDD_1	Inout	HighZ
ULP_GPIO_7	F3	IO_VDD_1	Inout	HighZ
ULP_GPIO_8	E2	IO_VDD_1	Inout	HighZ

Pin Name	Pin Number	I/O Supply Domain	Direction	Initial State (Power u Active Reset)
UART2_TX	E5	IO_VDD_1	Inout	HighZ
ULP_GPIO_10	G3	IO_VDD_1	Inout	HighZ
ULP_GPIO_11	J1	IO_VDD_1	Inout	HighZ
UULP_VBAT_GPIO_0	H2	UULP_VBATT_1	Output	High

Pin Name	Pin Number	I/O Supply Domain	Direction	Initial State (Power u Active Reset)
HOST_BYP_ULP_WAK EUP	H3	UULP_VBATT_1	Input	HighZ
UULP_VBAT_GPIO_3	E10	UULP_VBATT_1	Inout	HighZ
UULP_VBAT_GPIO_4	F14	UULP_VBATT_1	Inout	HighZ

Pin Name	Pin Number	I/O Supply Domain	Direction	Initial State (Power u Active Reset)
JP0	G4	IO_VDD_1	Input	Pullup
JP1	G5	IO_VDD_1	Input	Pullup
JP2	F4	IO_VDD_1	Input	Pullup
JNC	F5	IO_VDD_1	NC	Pullup
USB_DP	A6	USB_AVDD_3P3	Inout	NA
USB_DM	A7	USB_AVDD_3P3	Inout	NA
USB_ID	D7	USB_AVDD_3P3	Input	NA

Pin Name	Pin Number	I/O Supply Domain	Direction	Initial State (Power up / Active Reset)
USB_VBUS	C6	USB_AVDD_3P3	Input	NA

Table 3. Host and Peripheral Interfaces

1. **"Default"** state refers to the state of the device after initial boot loading and firmware loading is complete.
2. **"Sleep"** state refers to the state of the device after entering Sleep state which is indicated by Active-High "SLEEP_IND_FROM_DEV".
3. Please refer to **"RS9116N Open Source Driver Technical Reference Manual"** for software programming information in host mode.
4. Please refer to **"RS9116W SAPI Programming Reference Manual"** for software programming information in embedded mode.
5. There are some functionalities, such as SLEEP_IND_FROM_DEV, that are available on multiple pins. However, these pins are not mutually exclusive. Any pin can be used based on the required functionality. Customer has to note the default states before using appropriate pins.

2.2.4 Miscellaneous Pins

Pin Name	Pin Number	I/O Supply Domain	Direction	Initial State (Power up / Active Reset)
TRST	H5	IO_VDD_1	NA	NA
NC	A1, A2, A13, C1, C3, C7, C8, D2, E1, E3, E4, G1, G2, G6, G7, K13, K14, L8, L14, M7, M8, N3, N4, N6, N9, N10	NA	NA	NA

Table 4. Miscellaneous Pins

3 RS9116 CC0 Module Specifications

3.1 Absolute Maximum Ratings

Functional operation above maximum ratings is not guaranteed and may damage the device. Exposure to maximum rating conditions for extended periods may affect device reliability.

Symbol	Parameter	Min	Max	Units
T _{store}	Storage temperature	-40	+125	°C
T _{j(max)}	Maximum junction temperature	-	+125	°C
UULP_VBATT_1	Always-on VBATT supply to the UULP Domains	-0.5	3.63	V
UULP_VBATT_2	Always-on VBATT supply to the UULP Domains	-0.6	3.63	V
RF_VBATT	Always-on VBATT Power supply to the RF	-0.5	3.63	V
VINBCKDC	Power supply for the on-chip Buck	-0.5	3.63	V
VINLDO SOC	Power supply for SoC LDO	-0.5	1.8	V
IO_VDD_1	I/O supplies for GPIOs	-0.5	3.63	V
SDIO_IO_VDD	I/O supplies for SDIO I/Os	-0.5	3.63	V
ULP_IO_VDD	I/O supplies for ULP GPIOs	-0.5	3.63	V
PA2G_AVDD	Power supply for the 2.4 GHz RF Power Amplifier	-0.5	3.63	V
PA5G_AVDD	Power supply for the 5 GHz RF Power Amplifier	-0.5	3.63	V
RF_AVDD	Power supply for the 2.4 GHz RF and AFE	-0.5	1.98	V
RF_AVDD_BTTX	Power supply for Bluetooth Transmit circuit.	-0.5	1.21	V
RF_AVDD33	Power supply for the 5 GHz RF	-0.5	3.63	V
AVDD_1P9_3P3	Power supply for the 5 GHz RF	-0.5	3.63	V
AVDD_1P2	Power supply for the 5 GHz RF	-0.5	1.32	V
UULP_AVDD	Power supply for the always-on digital and ULP peripherals	-0.5	1.21	V
USB_AVDD_3P3	Power supply for the USB interface	-0.5	3.63	V
USB_AVDD_1P1	Power supply for the USB core	-0.5	1.26	V
ESD _{HBM}	Electrostatic discharge tolerance (HBM) - all I/Os except RF pins	-	2000	V
	Electrostatic discharge tolerance (HBM) - RF pins		100	V
	Compliant with JEDEC specification JS-001-2017			
ESD _{CDM}	Electrostatic discharge tolerance (CDM) - all I/Os except RF pins Compliant with JEDEC specification JS-002-2014	-	500	V

Symbol	Parameter	Min	Max	Units
LU	Latchup Immunity ICE criteria at ambient temp of 25°C Compliant with JESD78D	-50	100	mA
I _{max}	Maximum Current consumption in TX mode	-	400	mA
P _{max}	RF Power Level Input to the chip	-	10	dBm
I _{Pmax}	Peak current rating for power supply	-	500	mA

Table 5. Absolute Maximum Ratings

3.2 Recommended Operating Conditions

Symbol	Parameter	Min.	Typ.	Max.	Units
T _{ambient}	Ambient temperature	-40	25	85	°C
UULP_VBATT_1	Always-on VBATT supply to the UULP Domains	3	3.3	3.63	V
UULP_VBATT_2	Always-on VBATT supply to the UULP Domains	3	3.3	3.63	V
RF_VBATT	Always-on VBATT Power supply to the RF	1.8	3.3	3.63	V
VINBCKDC	Power supply for the on-chip Buck	3	3.3	3.63	V
VINLDOSOC	Power supply for SoC LDO	1.1	1.35	1.55	V
IO_VDD_1	I/O supply for GPIOs	3	3.3	3.63	V
SDIO_IO_VDD	I/O supply for SDIO I/Os	1.8	3.3	3.63	V
ULP_IO_VDD	I/O supply for ULP GPIOs	1.8	3.3	3.63	V
PA2G_AVDD	Power supply for the 2.4 GHz RF Power Amplifier	1.8	3.3	3.63	V
PA5G_AVDD	Power supply for the 5 GHz RF Power Amplifier	3	3.3	3.63	V
RF_AVDD	Power supply for the 2.4 GHz RF and AFE	1.3	1.35	1.8	V
RF_AVDD_BTTX	Power supply for Bluetooth Transmit circuit.	1.0	1.1	1.2	V
RF_AVDD33	Power supply for the 5 GHz RF	3	3.3	3.6	V
AVDD_1P9_3P3	Power supply for the 5 GHz RF	1.9	3.3	3.6	V
AVDD_1P2	Power supply for the 5 GHz RF (1.2V)	1.05	1.1	1.2	V
UULP_AVDD	Power supply for the always-on digital and ULP peripherals	0.95	1.0	1.21	V
USB_AVDD_3P3	Power supply for the USB interface	3.0	3.3	3.63	V
USB_AVDD_1P1	Power supply for the USB core	0.99	1.1	1.21	V

Table 6. Recommended Operating Conditions

3.3 DC Characteristics

3.3.1 Reset Pin

Symbol	Parameter	Min.	Typ.	Max.	Unit
V _{IH}	High level input voltage @3.3V	0.8 * VDD	-	3.63	V
	High level input voltage @1.8V	1.17	-	2.1	V
V _{IL}	Low level input voltage @3.3V	-0.5	-	0.3 * VDD	V
	Low level input voltage @1.8V	-0.3	-	0.63	V
V _{hys}	Hysteresis voltage	0.05 * VDD	-	-	V

Table 7. Reset Pin

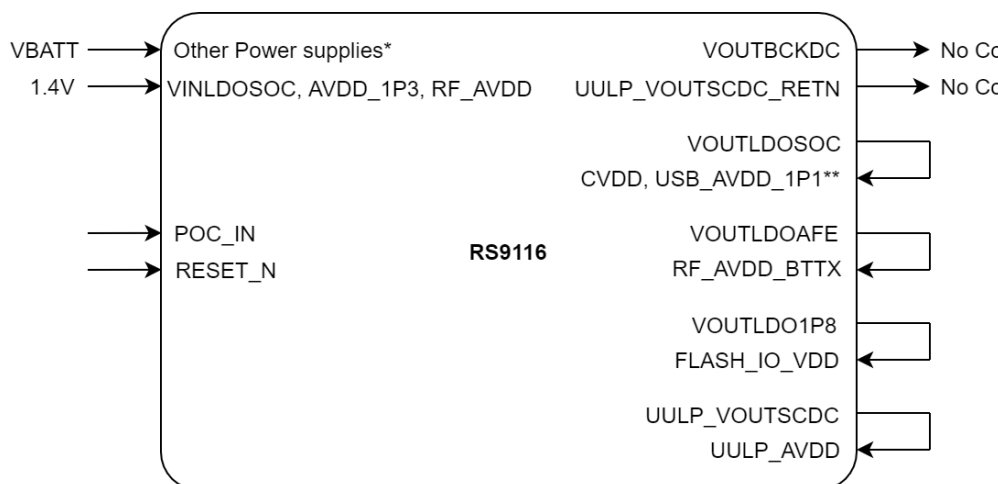
3.3.2 Power Sequence

The POC_IN and RESET_N signals should be controlled from external sources such as R/C circuits, and/or other MCU's GPIO. POC_IN through an R-C, if the supply voltage is 3.3V. Below waveforms show power sequence (Up & Down) requirements and below waveforms are not to scale.

3.3.2.1 Power-Up and Down Sequence with External 1.4V supply and POC_IN

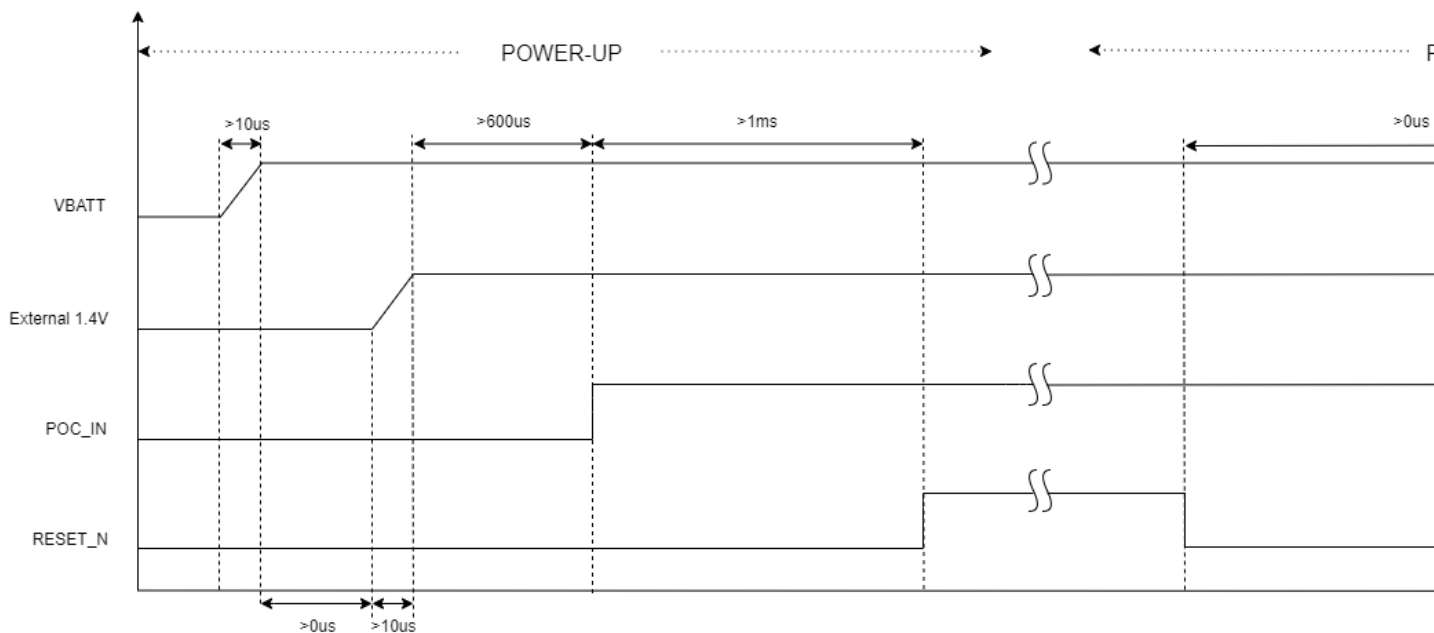
The diagram below shows connections of various power supply voltages, POC_IN and RESET_N. These connections can be used as follows:

- System PMU (outside RS9116) can provide 1.4V supply, and hence the internal Buck regulator in RS9116 can be disabled.
- The 1.1V supply is still derived from LDO SoC (internal to RS9116).
- POC_IN is controlled externally.



NOTE:

1. Above shown is a typical connection diagram. Some of the supply pins shown above may or may not be present in the IC/datasheet and connect accordingly.
2. * = Provide the supply voltages as per the specifications mentioned in this datasheet.
3. ** = USB power supply input connection is required if USB interface is present and used. Else, follow the connection as shown.



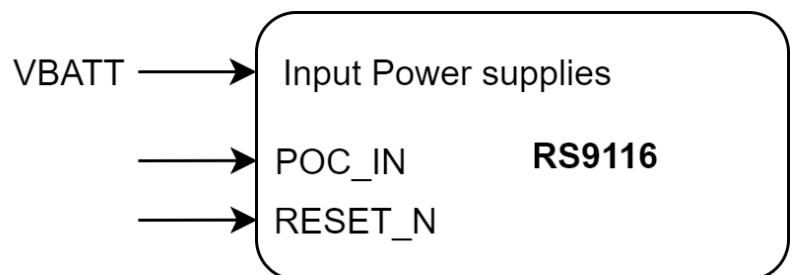
NOTE:

1. VBATT supply shown above must be connected to the power supply pins of IC/Module. For example, SDIO_IO_VDD, ULP
2. Above POC_IN waveform is applicable if it is externally driven. Else, that particular waveform can be ignored, and the RESET_N external power supplies ramp-up/down.

3.3.2.2 Power-Up and Down Sequence with External POC_IN

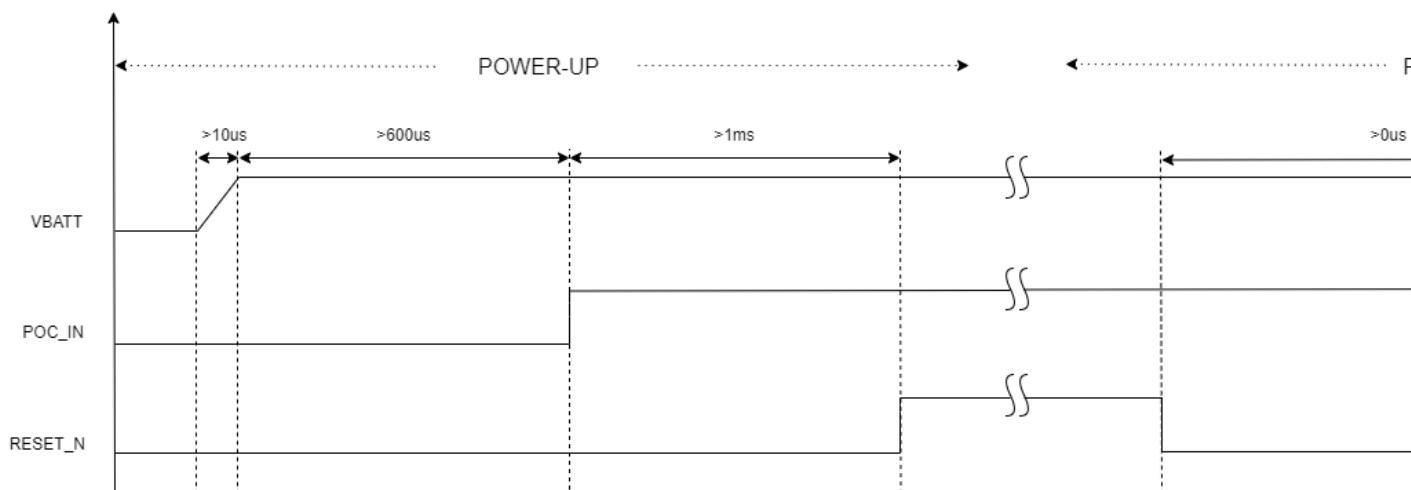
The diagram below shows connections of various power supply voltages, POC_IN and RESET_N. These connections can be u

- System PMU cannot provide 1.4V or 1.1V supplies and the internal buck and LDO of RS9116 are used.
- POC_IN is controlled externally.



NOTE:

1. Above shown is a typical connection diagram. Check the Reference Schematics for connections of other power supplies.



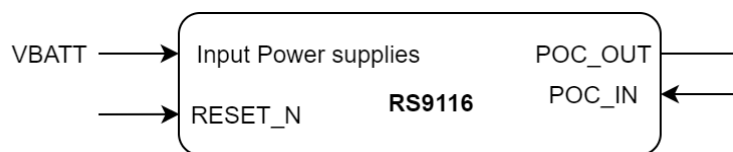
NOTE:

1. VBATT supply shown above must be connected to the power supply pins of IC/Module. For example, SDIO_IO_VDD, ULP

3.3.2.3 Power-Up and Down Sequence with POC_IN connected internally

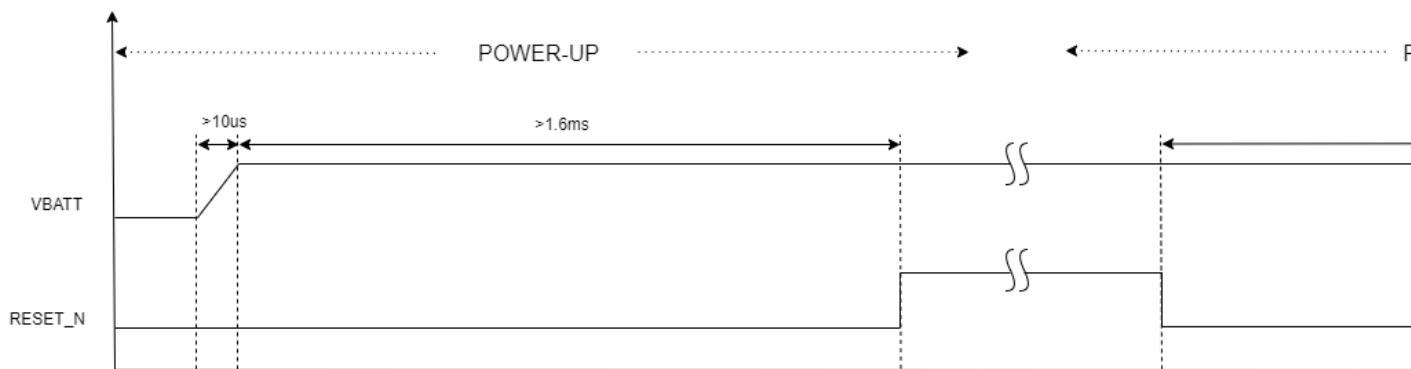
The diagram below shows connections of various power supply voltages, POC_IN and RESET_N. The typical applications of the

- System cannot provide external 1.4V & 1.1V supplies and the internal buck and LDO of RS9116 are used.
- POC_IN is looped back from POC_OUT.



NOTE:

1. Above shown is a typical connection diagram. Check the Reference Schematics for connections of other power supplies.
2. POC_OUT can be connected to POC_IN if the supply voltage is 3.3V only. Else, POC_IN has to be driven externally.



NOTE:

1. VBATT supply shown above must be connected to the power supply pins of IC/Module. For example, SDIO_IO_VDD, ULP

3.3.3 Digital Input Output Signals

Symbol	Parameter	Min.	Typ.	Max.	Unit
V _{IH}	High level input voltage @3.3V	2.0	-	3.63	V
	High level input voltage @1.8V	1.17	-	2.1	V
V _{IL}	Low level input voltage @3.3V	-0.3	-	0.8	V
	Low level input voltage @1.8V	-0.3	-	0.63	V
V _{hys}	Hysteresis voltage	0.1 VDD	-	-	V
V _{OL}	Low level output voltage	-	-	0.4	V
V _{OH}	High level output voltage	VDD-0.4	-	-	V
I _{OL}	Low level output current (programmable)	2.0	4.0	12.0	mA
I _{OH}	High level output current (programmable)	2.0	4.0	12.0	mA

Table 8. Digital I/O Signals

3.3.4 USB

Parameter	Conditions	Min.	Typ.	Max.	Units
V _{cm} DC (DC level measured at receiver connector)	HS Mode	-0.05	-	0.5	V
	LS/FS Mode	0.8	-	2.5	V
Crossover Voltages	LS Mode	1.3	-	2	V
	FS Mode	1.3	-	2	V
Power supply ripple noise (Analog 3.3V)	< 160 MHz	-50	-	50	mV

Table 9. USB

3.3.5 Pin Capacitances

Symbol	Parameter	Min.	Typ.	Max.	Unit
C _{io}	Input/output capacitance, digital pins only	-	-	2.0	pF

Table 10. Pin Capacitances

3.4 AC Characteristics

3.4.1 Clock Specifications

RS9116 chipsets require two primary clocks:

- Low frequency 32 kHz clock for sleep manager and RTC
 - Internal 32 kHz RC clock is used for applications with low timing accuracy requirements
 - 32 kHz crystal clock is used for applications with high timing accuracy requirements
- High frequency 40 MHz clock for the ThreadArch® processor, baseband subsystem and the radio

The chipsets have integrated internal oscillators including crystal oscillators to generate the required clocks. Integrated crystal oscillators enable the use of low-cost passive crystal components. Additionally, in a system where an external clock source is already present, the clock can be reused. The following are the recommended options for the clocks for different functionalities:

Functionality	Default Clock option	Other Clock option	Comments
Wi-Fi or Wi-Fi + BLE Connectivity	Internal 32 kHz RC oscillator calibrated to <200ppm	32 kHz XTAL oscillator input on UULPGPIO.	32 kHz XTAL Oscillator clock is optional. No significant power consumption impact on connected power numbers (<10uA).
Wi-Fi + BT or Wi-Fi + BT + BLE Connectivity with low power Audio Streaming operation (A2DP Source)	32 kHz XTAL oscillator input on UULPGPIO	Internal 32 kHz RC oscillator calibrated to <200ppm	32 kHz XTAL Oscillator clock is important for Low-power Audio Streaming operation (A2DP Source).

There is no impact on sleep/deep-sleep power consumption with/without 32 kHz XTAL oscillator clock

32 kHz XTAL sources:

Option 1: From Host MCU/MPU LVCMOS rail to rail clock input on UULPGPIO

Option 2: External Xtal oscillator providing LVCMOS rail to rail clock input on UULPGPIO (Nano-drive clock should not be supplied).

3.4.1.1 32 kHz Clock

The 32 KHz clock selection can be done through software. RC oscillator clock is not suited for high timing accuracy applications and can increase system current consumption in duty-cycled power modes.

3.4.1.1.1 RC Oscillator

Parameter	Parameter Description	Min	Typ	Max	Units
F _{osc}	Oscillator Frequency		32.0		kHz
F _{osc_Acc}	Frequency Variation with Temp and Voltage		1.2		%
Jitter	RMS value of Edge jitter (TIE)		91		ns
Peak Period Jitter	Peak value of Cycle Jitter with 6σ variation		789		ns

Table 11. 32 kHz RC oscillator

3.4.1.1.2 32 kHz External Oscillator

An external 32 kHz low-frequency clock can be fed through the XTAL_32KHZ_IN functionality.

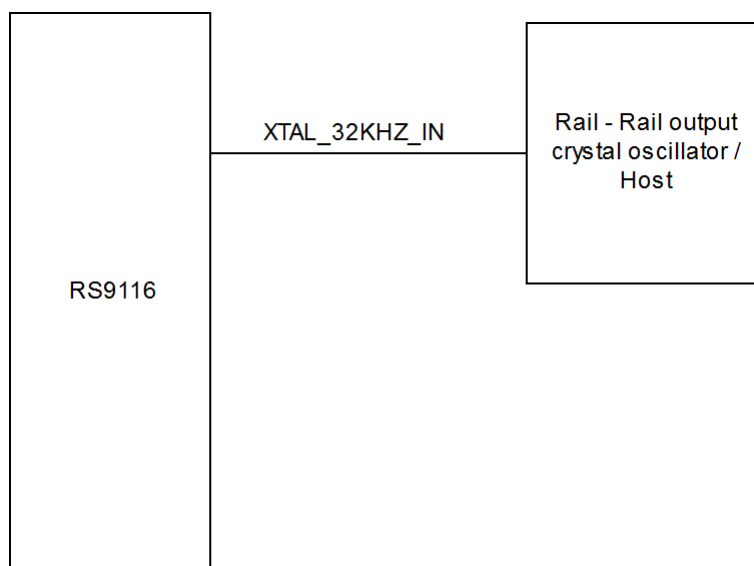


Figure 6. External 32 kHz Oscillator - Rail to Rail

Parameter	Parameter Description	Min	Typ	Max	Units
F _{osc}	Oscillator Frequency		32.768		kHz
F _{osc_Acc}	Frequency Variation with Temp and Voltage	-100		100	ppm
Duty cycle	Input duty cycle	30	50	70	%
V _{AC}	Input AC peak-peak voltage swing at input pin.	0.3	-	VBATT-0.3	V _{pp}

Table 12. 32 kHz External Oscillator Specifications

3.4.1.2 40 MHz Clock

Load capacitance with 40 MHz internal oscillator is integrated inside the chipset and calibrated. The calibrated value can be stored in eFuse using calibration software. The module provides the below characteristics.

Parameter	Parameter Description	Min	Typ	Max	Units
F _{osc}	Oscillator Frequency		40		MHz
F _{osc_Acc}	Frequency Variation with Temp and Voltage	-20		20	ppm
ESR	Equivalent series resistance			60	Ω
Load cap	Load capacitance range	5		10	pF

Table 13. 40 MHz Crystal Specifications

3.4.2 SDIO 2.0 Slave

3.4.2.1 Full Speed Mode

Parameter	Parameter Description	Min.	Typ.	Max.	Unit
T _{sdio}	SDIO_CLK	-	-	25	MHz
T _s	SDIO_DATA, input setup time	4	-	-	ns
T _h	SDIO_DATA, input hold time	1	-	-	ns
T _{od}	SDIO_DATA, clock to output delay	-	-	13	ns
C _L	Output Load	5	-	10	pF

Table 14. AC Characteristics - SDIO 2.0 Slave Full Speed Mode

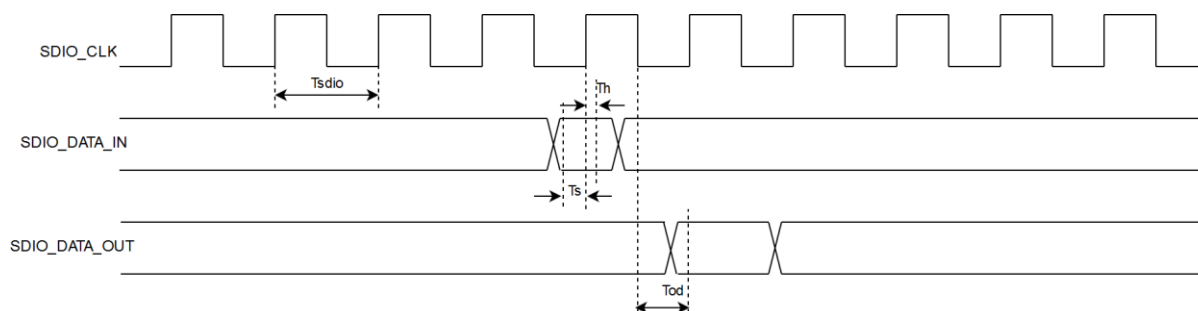


Figure 7. Interface Timing Diagram for SDIO 2.0 Slave Full Speed Mode

3.4.2.2 High Speed Mode

Parameter	Parameter Description	Min.	Typ.	Max.	Unit
T_{sdio}	SDIO_CLK	25	-	50	MHz
T_s	SDIO_DATA, input setup time	4	-	-	ns
T_h	SDIO_DATA, input hold time	1	-	-	ns
T_{od}	SDIO_DATA, clock to output delay	2.5	-	13	ns
C_L	Output Load	5	-	10	pF

Table 15. AC Characteristics - SDIO 2.0 Slave High Speed Mode

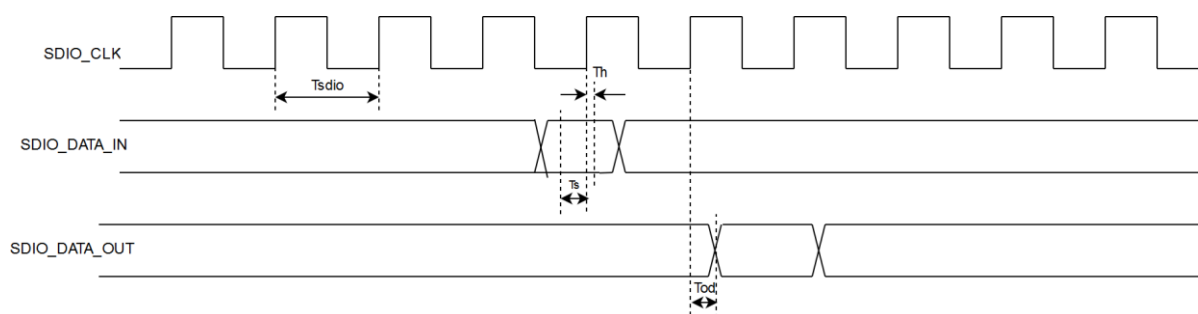


Figure 8. Interface Timing Diagram for SDIO 2.0 Slave High Speed Mode

3.4.3 SPI Slave

3.4.3.1 Low Speed Mode

Parameter	Parameter Description	Min.	Typ.	Max.	Unit
T_{spi}	SPI_CLK	0	-	25	MHz
T_{cs}	SPI_CS to output delay	-	-	7.5	ns
T_{cst}	SPI CS to input setup time	4.5	-	-	-
T_s	SPI_MOSI, input setup time	1.33	-	-	ns
T_h	SPI_MOSI, input hold time	1.2	-	-	ns
T_{od}	SPI_MISO, clock to output delay	-	-	8.75	ns
C_L	Output Load	5	-	10	pF

Table 16. AC Characteristics - SPI Slave Low Speed Mode

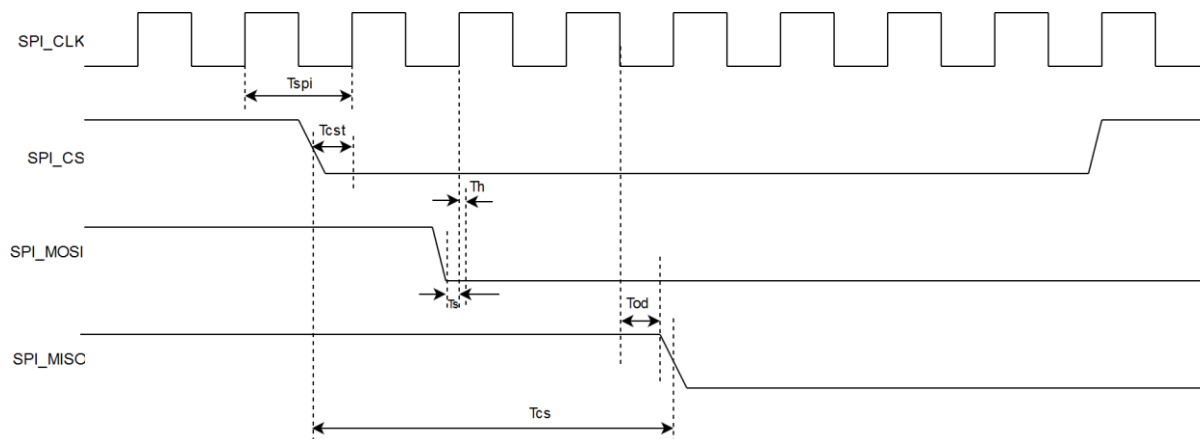


Figure 9. Interface Timing Diagram for SPI Slave Low Speed Mode

3.4.3.2 High Speed Mode

Parameter	Parameter Description	Min.	Typ.	Max.	Unit
T_{spi}	SPI_CLK	25	-	80	MHz
T_{cs}	SPI_CS to output delay	-	-	7.5	ns
T_{cst}	SPI CS to input setup time	4.5	-	-	-
T_s	SPI_MOSI, input setup time	1.33	-	-	ns
T_h	SPI_MOSI, input hold time	1.2	-	-	ns
T_{od}	SPI_MISO, clock to output delay	2.5	-	8.75	ns
C_L	Output Load	5	-	10	pF

Table 17. AC Characteristics - SPI Slave High Speed Mode

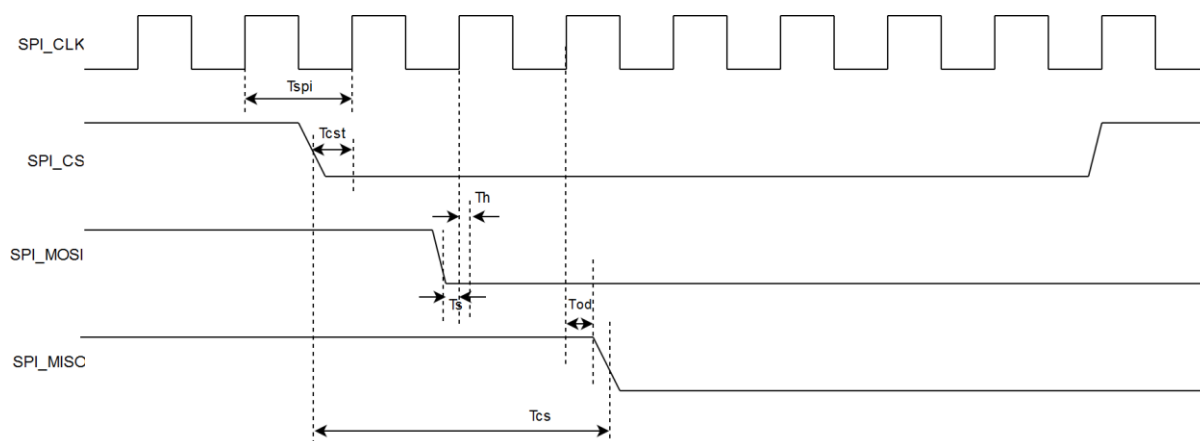


Figure 10. Interface Timing Diagram for SPI Slave High Speed Mode

3.4.3.3 Ultra High Speed Mode

Parameter	Parameter Description	Min.	Typ.	Max.	Unit
T_{spi}	SPI_CLK	-	-	100	MHz
T_s	SPI_MOSI, input setup time	1.33	-	-	ns

Parameter	Parameter Description	Min.	Typ.	Max.	Unit
T_h	SPI_MOSI, input hold time	1.2	-	-	ns
T_{od}	SPI_MISO, clock to output delay	1.5	-	8.75	ns
C_L	Output Load	5	-	10	pF

Table 18. AC Characteristics - SPI Slave Ultra High Speed Mode

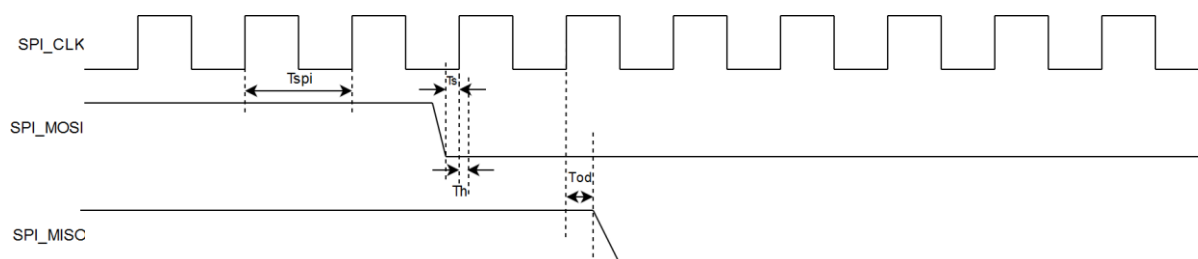


Figure 11. Interface Timing Diagram for SPI Slave Ultra High Speed Mode

3.4.4 USB

3.4.4.1 Low Speed Mode

Parameter	Parameter Description	Min.	Typ.	Max.	Unit
T_r	Rise Time	75	-	300	ns
T_f	Fall Time	75	-	300	ns
Jitter	Jitter	-	-	10	ns

Table 19. AC Characteristics - USB Low Speed Mode

3.4.4.2 Full Speed Mode

Parameter	Parameter	Min.	Typ.	Max.	Unit
T_r	Rise Time	4	-	20	ns
T_f	Fall Time	4	-	20	ns
Jitter	Jitter	-	-	1	ns

Table 20. AC Characteristics - USB Full Speed Mode

3.4.4.3 High Speed Mode

Parameter	Parameter Description	Min.	Typ.	Max.	Unit
T_r	Rise Time	0.5	-	-	ns
T_f	Fall Time	0.5	-	-	ns
Jitter	Jitter	-	-	0.1	ns

Table 21. AC Characteristics - USB High Speed Mode

3.4.5 UART

Parameter	Parameter Description	Min.	Typ.	Max.	Unit
T _{uart}	CLK	0	-	20	MHz
T _{od}	Output delay	0	-	10	ns
T _s	Input setup time	0	-	5	ns
C _L	Output load	5	-	25	pF

Table 22. AC Characteristics - UART

3.4.6 I2C Master and Slave

3.4.6.1 Fast Speed Mode

Parameter	Parameter Description	Min.	Typ.	Max.	Unit
T _{i2c}	SCL	100	-	400	KHz
T _{low}	clock low period	1.3	-	-	us
T _{high}	clock high period	0.6	-	-	us
T _{sstart}	start condition, setup time	0.6	-	-	us
T _{hstart}	start condition, hold time	0.6	-	-	us
T _s	data, setup time	100	-	-	ns
T _{sstop}	stop condition, setup time	0.6	-	-	us
C _L	Output Load	5	-	10	pF

Table 23. AC Characteristics - I2C Fast Speed Mode

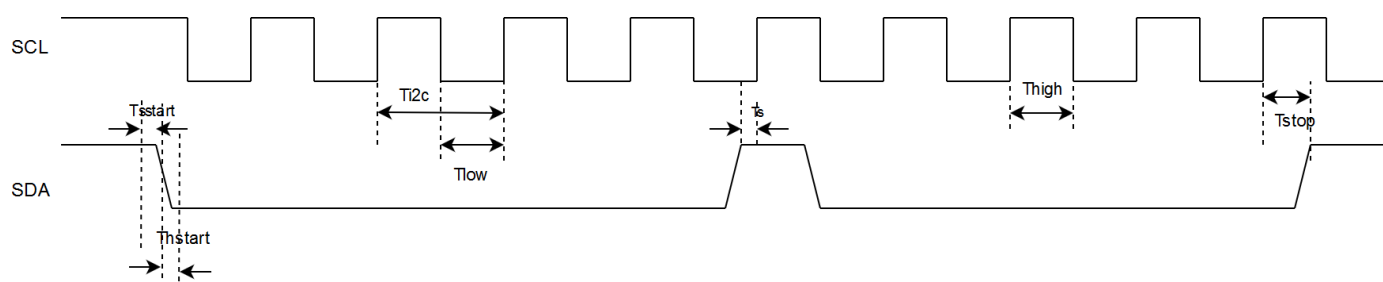


Figure 12. Interface Timing Diagram for I2C Fast Speed Mode

3.4.6.2 High Speed Mode

Parameter	Parameter Description	Min.	Typ.	Max.	Unit
T _{i2c}	SCL	0.4	-	3.4	MHz
T _{low}	clock low period	160	-	-	ns
T _{high}	clock high period	60	-	-	ns
T _{sstart}	start condition, setup time	160	-	-	ns
T _{hstart}	start condition, hold time	160	-	-	ns
T _s	data, setup time	10	-	-	ns

Parameter	Parameter Description	Min.	Typ.	Max.	Unit
T_h	data, hold time	0	-	70	ns
T_{sstop}	stop condition, setup time	160	-	-	ns
C_L	Output Load	5	-	10	pF

Table 24. AC Characteristics - I2C High Speed Mode

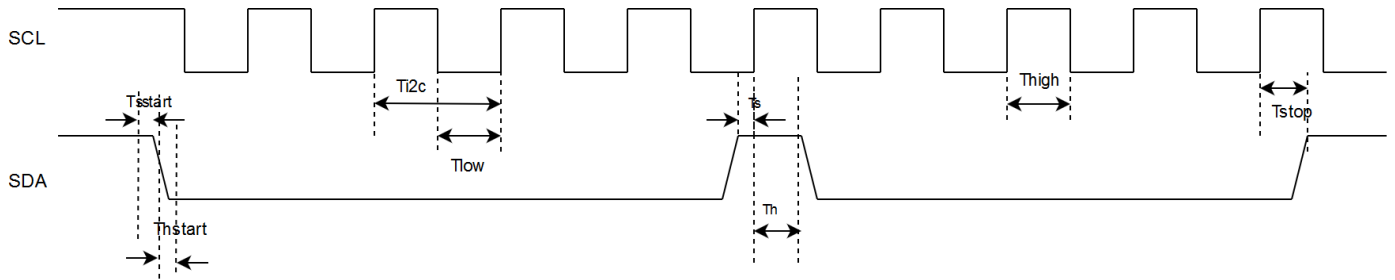


Figure 13. Interface Timing Diagram for I2C High Speed Mode

3.4.7 I2S/PCM Master and Slave

3.4.7.1 Master Mode

Negedge driving and posedge sampling for I2S
 Posedge driving and negedge sampling for PCM

Parameter	Parameter Description	Min.	Typ.	Max.	Unit
T_{i2s}	i2s_clk	0	-	25	MHz
T_s	i2s_din,i2s_ws setup time	10	-	-	ns
T_h	i2s_din,i2s_ws hold time	0	-	-	ns
T_{od}	i2s_dout output delay	0	-	12	ns
C_L	i2s_dout output load	5	-	10	pF

Table 25. AC Characteristics – I2S/PCM Master Mode

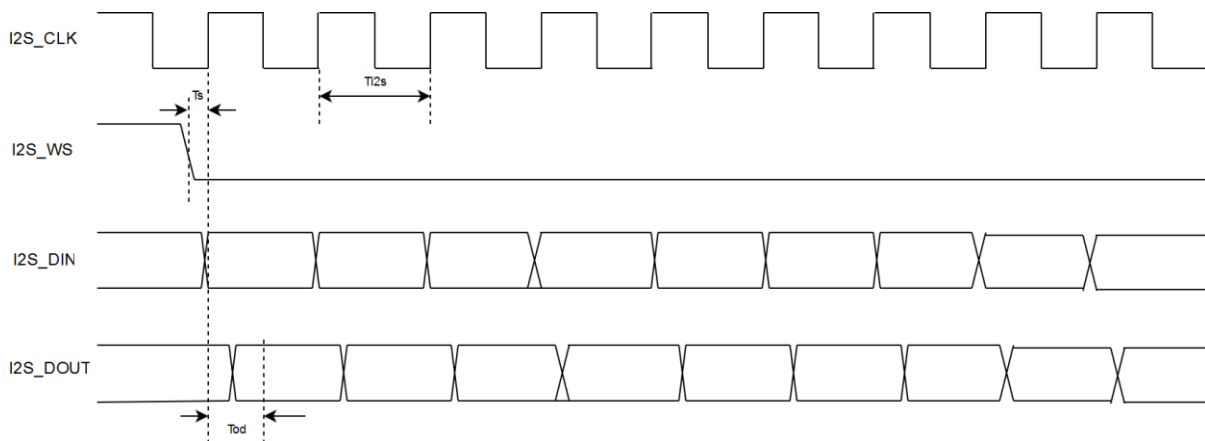


Figure 14. Interface Timing Diagram for I2S Master Mode

3.4.7.2 Slave Mode

Negedge driving and posedge sampling for I2S
 Posedge driving and negedge sampling for PCM

Parameter	Parameter Description	Min.	Typ.	Max.	Unit
T_{i2s}	i2s_clk	0	-	25	MHz
T_s	i2s_din,i2s_ws setup time	8	-	-	ns
T_h	i2s_din,i2s_ws hold time	0	-	-	ns
T_{od}	i2s_dout output delay	0	-	17	ns
C_L	i2s_dout output load	5	-	10	pF

Table 26. AC Characteristics - I2S/PCM Slave Mode

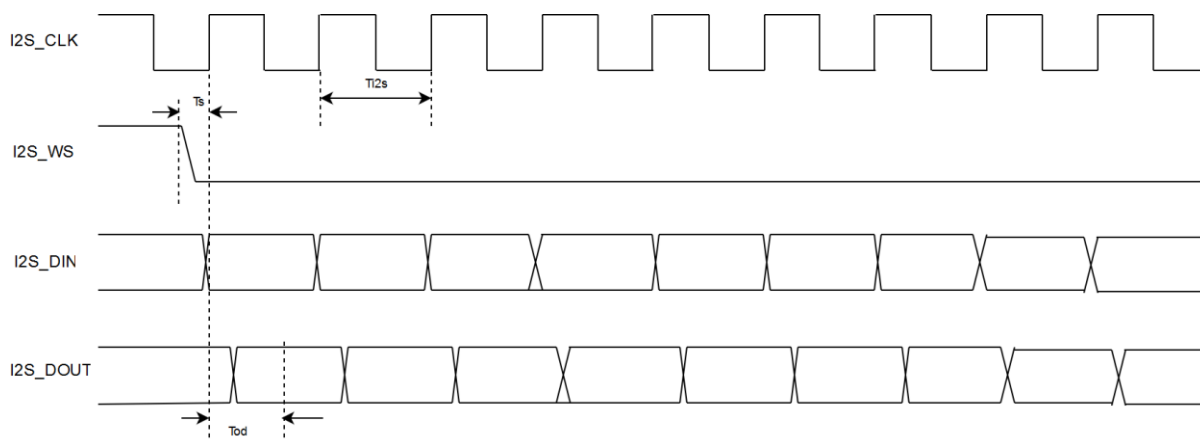


Figure 15. Interface Timing Diagram for I2S Slave Mode

3.4.8 GPIO pins

Parameter	Parameter Description	Conditions	Min.	Typ.	Max.	Unit
T_{rf}	Rise time	Pin configured as output; SLEW = 1(fast mode)	1.0	-	2.5	ns
T_{ff}	Fall time	Pin configured as output; SLEW = 1(fast mode)	0.9	-	2.5	ns
T_{rs}	Rise time	Pin configured as output; SLEW = 0(standard mode)	1.9	-	4.3	ns
T_{fs}	Fall time	Pin configured as output; SLEW = 0(standard mode)	1.9	-	4.0	ns
T_r	Rise time	Pin configured as input	0.3	-	1.3	ns
T_f	Fall time	Pin configured as input	0.2	-	1.2	ns

Table 27. AC Characteristics - GPIO Pins

3.5 RF Characteristics

In the sub-sections below,

- All WLAN Sensitivity numbers and Adjacent channel numbers are at < 10% PER limit for 802.11 a/g/n OFDM data rates, and < 8% PER limit for 802.11 b DSSS/CCA data rates. Packet sizes are 1024 bytes for 802.11 b/g data rates and 4096 bytes for 802.11 n data rates.
- For WLAN ACI cases, the desired signal power is 3dB above standard defined sensitivity level.
- For Bluetooth C/I cases, the desired signal power is 3dB above standard defined sensitivity level.

Unless otherwise stated, the specifications in this section apply when the operating conditions are within the limits specified in the [Recommended Operating Conditions](#)

3.5.1 WLAN 2.4 GHz Transmitter Characteristics

3.5.1.1 Transmitter Characteristics with 3.3V Supply

TA = 25°C, PA2G_AVDD/VINBCKDC = 3.3V. Remaining supplies are at typical operating conditions. Parameters are measured at antenna port on channel 6 (2437 MHz)⁽¹⁾

Parameter	Condition	Notes	Min	Typ	Max	Units
Transmit Power for 20 MHz Bandwidth, compliant with IEEE mask and EVM	DSSS - 1 Mbps	EVM< -9 dB	-	17.5	-	dBm
	DSSS - 2 Mbps	EVM< -9 dB	-	17.5	-	dBm
	CCK- 5.5 Mbps	EVM< -9 dB	-	17.5	-	dBm
	CCK - 11 Mbps	EVM< -9 dB	-	17.5	-	dBm
	OFDM - 6 Mbps	EVM< -5 dB	-	15.5	-	dBm
	OFDM - 9 Mbps	EVM< -8 dB	-	15.5	-	dBm
	OFDM - 12 Mbps	EVM< -10 dB	-	15.5	-	dBm
	OFDM - 18 Mbps	EVM< -13 dB	-	16	-	dBm
	OFDM - 24 Mbps	EVM< -16 dB	-	15.5	-	dBm
	OFDM - 36 Mbps	EVM< -19 dB	-	13.5	-	dBm
	OFDM - 48 Mbps	EVM< -22 dB	-	13	-	dBm
	OFDM - 54 Mbps	EVM< -25 dB	-	13	-	dBm
	MCS0 Mixed Mode	EVM< -5 dB	-	16	-	dBm
	MCS1 Mixed Mode	EVM< -10 dB	-	16	-	dBm
MCS2 Mixed Mode	EVM< -13 dB	-	16	-	dBm	

Parameter	Condition	Notes	Min	Typ	Max	Units
	MCS3 Mixed Mode	EVM< -16 dB	-	15.5	-	dBm
	MCS4 Mixed Mode	EVM< -19 dB	-	13.5	-	dBm
	MCS5 Mixed Mode	EVM< -22 dB	-	12.5	-	dBm
	MCS6 Mixed Mode	EVM< -25 dB	-	12.5	-	dBm
	MCS7 Mixed Mode	EVM< -27 dB	-	11	-	dBm
Transmitter Emissions (6 Mbps @ Maximum Power)	776-794 MHz	CDMA2000	-	-148	-	dBm/Hz
	869-960 MHz	CDMAOne, GSM850	-	-158	-	dBm/Hz
	1450-1495 MHz	DAB	-	-151	-	dBm/Hz
	1570-1580 MHz	GPS	-	-151	-	dBm/Hz
	1592-1610 MHz	GLONASS	-	-132	-	dBm/Hz
	1710-1800 MHz	DSC-1800-Uplink	-	-130	-	dBm/Hz
	1805-1880 MHz	GSM 1800	-	-110	-	dBm/Hz
	1850-1910 MHz	GSM 1900	-	-122	-	dBm/Hz
	1910-1930 MHz	TDSCDMA, LTE	-	-135	-	dBm/Hz
	1930-1990 MHz	GSM1900, CDMAOne, WCDMA	-	-130	-	dBm/Hz
	2010-2075 MHz	TDSCDMA	-	-127	-	dBm/Hz
	2110-2170 MHz	WCDMA	-	-119	-	dBm/Hz
	2305-2370 MHz	LTE Band 40	-	-112	-	dBm/Hz
	2370-2400 MHz	LTE Band 40	-	-95	-	dBm/Hz
	2496-2530 MHz	LTE Band 41	-	-102	-	dBm/Hz
	2530-2560 MHz	LTE Band 41	-	-113	-	dBm/Hz
2570-2690 MHz	LTE Band 41	-	-128	-	dBm/Hz	
5000-5900 MHz	WLAN 5G	-	-148	-	dBm/Hz	
Harmonic Emissions (1 Mbps @ Maximum Power)	4.8-5.0 GHz	2nd Harmonic	-	-40	-	dBm/MHz
	7.2-7.5 GHz	3rd Harmonic	-	-43	-	dBm/MHz

Table 28. WLAN 2.4 GHz Transmitter Characteristics (3.3V)

- Up to 2dB variation in power from channel-to-channel. To meet FCC emission limits, edge channels (1 and 11) have reduced TX power.

3.5.2 WLAN 2.4 GHz Receiver Characteristics on High-Performance (HP) RF Chain

TA = 25°C. Parameters are measured at antenna port on channel 1(2412 MHz)

Parameter	Condition/Notes	Min	Typ	Max	Units
Sensitivity for 20 MHz Bandwidth ⁽¹⁾	1 Mbps DSSS	-	-96	-	dBm
	2 Mbps DSSS	-	-90	-	dBm
	5.5 Mbps CCK	-	-89	-	dBm
	11 Mbps CCK	-	-86.5	-	dBm
	6 Mbps OFDM	-	-90	-	dBm
	9 Mbps OFDM	-	-89	-	dBm
	12 Mbps OFDM	-	-89	-	dBm
	18 Mbps OFDM	-	-87	-	dBm
	24 Mbps OFDM	-	-84	-	dBm
	36 Mbps OFDM	-	-80	-	dBm
	48 Mbps OFDM	-	-75.5	-	dBm
	54 Mbps OFDM	-	-74	-	dBm
	MCS0 Mixed Mode	-	-89.5	-	dBm
	MCS1 Mixed Mode	-	-87	-	dBm
	MCS2 Mixed Mode	-	-84	-	dBm
	MCS3 Mixed Mode	-	-82	-	dBm
	MCS4 Mixed Mode	-	-78	-	dBm
MCS5 Mixed Mode	-	-73	-	dBm	
MCS6 Mixed Mode	-	-71	-	dBm	
MCS7 Mixed Mode	-	-70	-	dBm	
Maximum Input Level for PER below 10%	802.11 b	-	8	-	dBm
	802.11g	-	-10	-	dBm
	802.11n	-	-10	-	dBm
RSSI Accuracy Range		-3	-	3	dB
Blocking level for 3 dB RX Sensitivity Degradation(Data rate 6Mbps OFDM, Desired signal at -79dBm)	776–794 MHz	-	-6	-	dBm
	824–849 MHz	-	-5	-	dBm
	880–915 MHz	-	-8	-	dBm
	1710–1785 MHz	-	-21	-	dBm
	1850–1910 MHz	-	-17	-	dBm
	1920–1980 MHz	-	-20	-	dBm
	2300–2400 MHz	-	-58	-	dBm

Parameter	Condition/Notes	Min	Typ	Max	Units
	2570–2620 MHz	-	-22	-	dBm
	2545–2575 MHz	-	-20	-	dBm
Return Loss		-10	-	-	dB
Adjacent Channel Interference	1 Mbps DSSS	-	36	-	dB
	11 Mbps DSSS	-	37	-	dB
	6 Mbps OFDM	-	38	-	dB
	54 Mbps OFDM	-	22	-	dB
	MCS0 Mixed Mode	-	38	-	dB
	MCS7 Mixed Mode	-	20	-	dB
Alternate Adjacent Channel Interference	1 Mbps DSSS	-	44	-	dB
	11 Mbps DSSS	-	35	-	dB
	6 Mbps OFDM	-	46	-	dB
	54 Mbps OFDM	-	30	-	dB
	MCS0 Mixed Mode	-	46	-	dB
	MCS7 Mixed Mode	-	28	-	dB

Table 29. WLAN 2.4 GHz Receiver Characteristics on HP RF Chain

- Sensitivities for channels 6,7,8 & 11 are up to 2dB worse

3.5.3 WLAN 2.4 GHz Receiver Characteristics on Low-Power (LP) RF Chain

TA = 25°C. Parameters are measured at antenna port on channel 1(2412 MHz)

Parameter	Condition	Min	Typ	Max	Units
Sensitivity for 20 MHz Bandwidth ⁽¹⁾	1 Mbps DSSS	-	-94	-	dBm
	2 Mbps DSSS	-	-87.5	-	dBm
	5.5 Mbps CCK	-	-86.5	-	dBm
	11 Mbps CCK	-	-83.5	-	dBm
	6 Mbps OFDM	-	-87.5	-	dBm
	9 Mbps OFDM	-	-87	-	dBm
	12 Mbps OFDM	-	-86.5	-	dBm
	18 Mbps OFDM	-	-84	-	dBm
	24 Mbps OFDM	-	-81	-	dBm
	36 Mbps OFDM	-	-77	-	dBm

Parameter	Condition	Min	Typ	Max	Units
	MCS0 Mixed Mode	-	-87	-	dBm
	MCS1 Mixed Mode	-	-84.5	-	dBm
	MCS2 Mixed Mode	-	-82	-	dBm
	MCS3 Mixed Mode	-	-79	-	dBm
	MCS4 Mixed Mode	-	-75	-	dBm
Maximum Input Level for PER below 10%	802.11 b	-	0	-	dBm
	802.11g	-	-10	-	dBm
	802.11n	-	-10	-	dBm
RSSI Accuracy Range		-3	-	3	dB
Blocking level for 3 dB RX Sensitivity Degradation(Data rate 6Mbps OFDM, Desired signal at -79dBm)	776–794 MHz	-	-8	-	dBm
	824–849 MHz	-	-8	-	dBm
	880–915 MHz	-	-10	-	dBm
	1710–1785 MHz	-	-16	-	dBm
	1850–1910 MHz	-	-14	-	dBm
	1920–1980 MHz	-	-20	-	dBm
	2300–2400 MHz	-	-55	-	dBm
	2570–2620 MHz	-	-24	-	dBm
	2545–2575 MHz	-	-23	-	dBm
Return Loss		-10	-	-	dB
Adjacent Channel Interference	1 Mbps DSSS	-	40	-	dB
	11 Mbps DSSS	-	36	-	dB
	6 Mbps OFDM	-	42	-	dB
	36 Mbps OFDM	-	30	-	dB
	MCS0 Mixed Mode	-	40	-	dB
	MCS4 Mixed Mode	-	30	-	dB
Alternate Adjacent Channel Interference	1 Mbps DSSS	-	50	-	dB
	11 Mbps DSSS	-	38	-	dB
	6 Mbps OFDM	-	48	-	dB
	36 Mbps OFDM	-	38	-	dB
	MCS0 Mixed Mode	-	48	-	dB
	MCS4 Mixed Mode	-	36	-	dB

Table 30. WLAN 2.4 GHz Receiver Characteristics on LP RF Chain

1. Sensitivities for channels 6,7,8 & 11 are up to 2dB worse.

3.5.4 Bluetooth Transmitter Characteristics on High-Performance (HP) RF Chain

3.5.4.1 Transmitter Characteristics with 3.3 V Supply

TA = 25°C, PA2G_AVDD/VINBCKDC = 3.3 V. Remaining supplies are at typical operating conditions. Parameters are measured at the antenna port. ⁽¹⁾

Parameter	Condition	Notes	Min	Typ	Max	Units
Transmit Power	BR		-	12	-	dBm
	EDR 2Mbps		-	12	-	dBm
	EDR 3Mbps		-	11	-	dBm
	LE 1Mbps		-	17	-	dBm
	LE 2Mbps		-	17	-	dBm
	LR 500 Kbps		-	17	-	dBm
	LR 125 Kbps		-	17	-	dBm
Power Control Step	BR, EDR		-	3	-	dB
Adjacent Channel Power M-N = 2	BR		-	-	-20	dBm
	EDR		-	-	-20	dBm
	LE		-	-	-20	dBm
	LR		-	-	-20	dBm
Adjacent Channel Power M-N > 2	BR		-	-	-40	dBm
	EDR		-	-	-40	dBm
	LE		-	-	-30	dBm
	LR		-	-	-30	dBm
BR Modulation Characteristics	DH1		-25	-	25	kHz
	DH3		-40	-	40	kHz
	DH5		-40	-	40	kHz
	Drift Rate		-20	-	20	kHz/50 us
	Δf_1 Avg		140	-	175	kHz
	Δf_2 Max		115	-		kHz
EDR Modulation Characteristics	RMS DEVM, EDR2		-	15	-	%
	RMS DEVM, EDR3		-	5.5	-	%
	99% DEVM, EDR2		-	23	-	%
	99% DEVM, EDR3		-	9.5	-	%
	peak DEVM, EDR2		-	28	-	%

Parameter	Condition	Notes	Min	Typ	Max	Units
	peak DEVM, EDR3		-	13.5	-	%
BLE Modulation Characteristics	$\Delta f1$ Avg		225	-	275	kHz
	$\Delta f2$ Max		185	-	-	kHz
	$\Delta f2$ Avg/ $\Delta f1$ Avg		0.8	-	-	-
Transmitter Emissions (BR @Maximum output power)	776-794 MHz	CDMA2000	-	-160	-	dBm/Hz
	869-960 MHz	CDMAOne, GSM850	-	-160	-	dBm/Hz
	1450-1495 MHz	DAB	-	-160	-	dBm/Hz
	1570-1580 MHz	GPS	-	-160	-	dBm/Hz
	1592-1610 MHz	GLONASS	-	-160 ⁽²⁾	-	dBm/Hz
	1710-1800 MHz	DSC-1800- Uplink	-	-115	-	dBm/Hz
	1805-1880 MHz	GSM 1800	-	-148	-	dBm/Hz
	1850-1910 MHz	GSM 1900	-	-148	-	dBm/Hz
	1910-1930 MHz	TDSCDMA,LTE	-	-135	-	dBm/Hz
	1930-1990 MHz	GSM1900, CDMAOne, WCDMA	-	-101	-	dBm/Hz
	2010-2075 MHz	TDSCDMA	-	-148	-	dBm/Hz
	2110-2170 MHz	WCDMA	-	-115	-	dBm/Hz
	2305-2370 MHz	LTE Band 40	-	-140	-	dBm/Hz
	2370-2400 MHz	LTE Band 40	-	-134	-	dBm/Hz
	2496-2530 MHz	LTE Band 41	-	-125	-	dBm/Hz
	2530-2560 MHz	LTE Band 41	-	-138	-	dBm/Hz
2570-2690 MHz	LTE Band 41	-	-138	-	dBm/Hz	
5000-5900 MHz	WLAN 5G	-	-148	-	dBm/Hz	

Table 31. Bluetooth Transmitter Characteristics on HP RF Chain 3.3V

1. Up to 2dB variation in power from channel-to-channel.
2. Noise-floor is -160dBm/Hz with spurious tone power of -68dBm at 1601.33 MHz when the transmitted signal is at 2402 MHz

3.5.5 Bluetooth Transmitter Characteristics on Low-Power (LP) 0 dBm RF Chain

TA = 25°C. Parameters are measured at the antenna port and applicable to PA2G_AVDD/VINBCKDC=3.3V

Parameter	Condition/Notes	Min	Typ	Max	Units
Transmit Power	BR	-	-	-3.5	dBm
	LE 1Mbps	-	-	-3.5	dBm
	LE 2Mbps	-	-	-3.5	dBm
	LR 500 Kbps	-	-	-3.5	dBm
	LR 125 kbps	-	-	-3.5	dBm
Adjacent Channel Power $ M-N = 2$	BR	-	-	-20	dBm
	LE	-	-	-20	dBm
	LR	-	-	-20	dBm
Adjacent Channel Power $ M-N > 2$	BR	-	-	-40	dBm
	LE	-	-	-30	dBm
	LR	-	-	-30	dBm
BR Modulation Characteristics	DH1	-25	-	25	kHz
	DH3	-40	-	40	kHz
	DH5	-40	-	40	kHz
	Drift Rate	-20	-	20	kHz
	$\Delta f1$ Avg	140	-	175	kHz
	$\Delta f2$ Max	115	-	-	kHz
BLE Modulation Characteristics	$\Delta f1$ Avg	225	-	275	kHz
	$\Delta f2$ Max	185	-	-	kHz
	$\Delta f2$ Avg/ $\Delta f1$ Avg	0.8	1.5	-	-

Table 32. Bluetooth Transmitter Characteristics on LP 0 dBm RF Chain

3.5.6 Bluetooth Receiver Characteristics on High-Performance (HP) RF Chain

TA = 25°C. Parameters are measured at the antenna port and applicable to PA2G_AVDD/VINBCKDC=3.3V

Parameter	Condition/Notes	Min	Typ	Max	Units
Sensitivity, Dirty TX off ^{(1),(2)}	BR (1 Mbps), 339 bytes, DH5 Packet, BER= 0.1%	-	-90.5	-	dBm
	EDR2 (2 Mbps), 679 bytes, 2-DH5 Packet, BER= 0.01%	-	-91.5	-	dBm
	EDR3 (3 Mbps), 1020 bytes, 3-DH5 Packet, BER= 0.01%	-	-84.5	-	dBm
	LE (1 Mbps), 37 bytes, PER=30.8%	-	-92	-	dBm
	LE (2 Mbps), 37 bytes, PER=30.8%	-	-90	-	dBm

Parameter	Condition/Notes	Min	Typ	Max	Units
	LR (500 Kbps), 37 bytes, PER=30.8%	-	-99	-	dBm
	LR (125 Kbps), 37 bytes, PER=30.8%	-	-103	-	dBm
Maximum Input Level	BR, EDR2, EDR3, BER= 0.1%	-	-15	-	dBm
	LE 1Mbps, 2Mbps, PER=30.8%	-	-1	-	dBm
	LR 500kps, 125kbps, PER=30.8%	-	>10	-	dBm
C/I Performance	BR, co-channel, BER=0.1%	9	-	-	dB
	BR, adjacent +1/-1 MHz, BER=0.1%	-2	-	-	dB
	BR, adjacent +2/-2 MHz BER=0.1%	-19	-	-	dB
	BR, adjacent $\geq \pm 3 $ MHz BER=0.1%	-19	-	-	dB
	BR, Image channel BER=0.1%	-11	-	-	dB
	BR, adjacent to Image channel BER=0.1%	-22	-	-	dB
	EDR2, co-channel BER=0.1%	11	-	-	dB
	EDR2, adjacent +1/-1 MHz BER=0.1%	-2	-	-	dB
	EDR2, adjacent +2/-2 MHz BER=0.1%	-17	-	-	dB
	EDR2, adjacent $\geq \pm 3 $ MHz BER=0.1%	-17	-	-	dB
	EDR2, Image channel BER=0.1%	-9	-	-	dB
	EDR2, adjacent to Image channel BER=0.1%	-22	-	-	dB
	EDR3, co-channel BER=0.1%	19	-	-	dB
	EDR3, adjacent +1/- MHz BER=0.1%	3	-	-	dB
	EDR3, adjacent +2/-2 MHz BER=0.1%	-12	-	-	dB
	EDR3, adjacent $\geq \pm 3 $ MHz BER=0.1%	-12	-	-	dB
	EDR3, Image channel BER=0.1%	-2	-	-	dB
	EDR3, adjacent to Image channel BER=0.1%	-15	-	-	dB
	LE 1Mbps, co-channel PER=30.8%	-	10	-	dB
	LE 1Mbps, adjacent +1 MHz PER=30.8%	-	1	-	dB

Parameter	Condition/Notes	Min	Typ	Max	Units
	LE 1Mbps, adjacent -1 MHz PER=30.8%	-	-2	-	dB
	LE 1Mbps, adjacent +2 MHz PER=30.8%	-	-23	-	dB
	LE 1Mbps, adjacent -2 MHz PER=30.8%	-	-24	-	dB
	LE 1Mbps, adjacent +3 MHz PER=30.8%	-	-21	-	dB
	LE 1Mbps, adjacent -3 MHz PER=30.8%	-	-27	-	dB
	LE 1Mbps, adjacent $\geq \pm 4 $ MHz PER=30.8%	-	-35	-	dB
	LE 1Mbps, Image channel PER=30.8%	-	-24	-	dB
	LE 1Mbps, +1MHz adjacent to Image channel PER=30.8%	-	-34	-	dB
	LE 1Mbps, -1MHz adjacent to Image channel PER=30.8%	-	-21	-	dB
	LE 2Mbps, co-channel PER=30.8%	-	11	-	dB
	LE 2Mbps, adjacent +2 MHz PER=30.8%	-	-4	-	dB
	LE 2Mbps, adjacent -2 MHz PER=30.8%	-	-4	-	dB
	LE 2Mbps, adjacent +4 MHz PER=30.8%	-	-13	-	dB
	LE 2Mbps, adjacent -4 MHz PER=30.8%	-	-17	-	dB
	LE 2Mbps, adjacent $\geq \pm 6 $ MHz PER=30.8%	-	-32	-	dB
	LE 2Mbps, Image channel PER=30.8%	-	-13	-	dB
	LE 2Mbps, +2MHz adjacent to Image channel PER=30.8%	-	-24	-	dB
	LE 2Mbps, -2MHz adjacent to Image channel PER=30.8%	-	-4	-	dB

Table 33. Bluetooth Receiver Characteristics on HP RF Chain

- BR, EDR:** Sensitivities for channels 38,78 are up to 4dB worse, due to the desensitization of the receiver from harmonics of the system clock (40MHz)
- BLE, LR:** Sensitivities for channels 19,39 are up to 3dB worse, due to the desensitization of the receiver from harmonics of the system clock (40MHz)

3.5.7 Bluetooth Receiver Characteristics on Low-Power (LP) RF Chain

TA = 25°C. Parameters are measured at the antenna port and applicable to PA2G_AVDD/VINBCKDC=3.3V

Parameter	Condition/Notes	Min	Typ	Max	Units
Sensitivity, Dirty TX off ^{(1),(2)}	BR (1 Mbps), 339 bytes, DH5 Packet BER= 0.1%	-	-86	-	dBm
	EDR2 (2 Mbps), 679 bytes, 2-DH5 Packet, BER= 0.01%	-	-87	-	dBm
	LE (1 Mbps), 37 bytes, PER=30.8%	-	-89	-	dBm
	LE (2 Mbps), 37 bytes, PER=30.8%	-	-87	-	dBm
	LR (500 Kbps), 37 bytes, PER=30.8%	-	-96.5	-	dBm
	LR (125 Kbps), 37 bytes, PER=30.8%	-	-101	-	dBm
Maximum Input Level	BR, EDR2 BER= 0.1%	-	-16	-	dBm
	LE 1Mbps, 2Mbps PER=30.8%	-	1	-	dBm
	LR 500kps, 125kbps PER=30.8%	-	>10	-	dBm
BER Floor		-	1e-4	-	%
C/I Performance	BR, co-channel BER= 0.1%	9	-	-	dB
	BR, adjacent +1/-1 MHz, BER=0.1%	-2	-	-	dB
	BR, adjacent +2/-2 MHz BER=0.1%	-19	-	-	dB
	BR, adjacent $\geq \pm 3 $ MHz BER=0.1%	-19	-	-	dB
	BR, Image channel BER=0.1%	-11	-	-	dB
	BR, adjacent to Image channel BER=0.1%	-22	-	-	dB
	EDR2, co-channel BER=0.1%	11	-	-	dB
	EDR2, adjacent +1/-1 MHz BER=0.1%	-2	-	-	dB
	EDR2, adjacent +2/-2 MHz BER=0.1%	-17	-	-	dB
	EDR2, adjacent $\geq \pm 3 $ MHz BER=0.1%	-17	-	-	dB
	EDR2, Image channel BER=0.1%	-9	-	-	dB
	EDR2, adjacent to Image channel BER=0.1%	-22	-	-	dB
	LE 1Mbps, co-channel PER=30.8%	-	10	-	dB

Parameter	Condition/Notes	Min	Typ	Max	Units
	LE 1Mbps, adjacent +1 MHz PER=30.8%	-	1	-	dB
	LE 1Mbps, adjacent -1 MHz PER=30.8%	-	-1	-	dB
	LE 1Mbps, adjacent +2 MHz PER=30.8%	-	-23	-	dB
	LE 1Mbps, adjacent -2 MHz PER=30.8%	-	-23	-	dB
	LE 1Mbps, adjacent +3 MHz PER=30.8%	-	-22	-	dB
	LE 1Mbps, adjacent -3 MHz PER=30.8%	-	-27	-	dB
	LE 1Mbps, adjacent $\geq \pm 4 $ MHz PER=30.8%	-	-33	-	dB
	LE 1Mbps, Image channel PER=30.8%	-	-27	-	dB
	LE 1Mbps, +1MHz adjacent to Image channel PER=30.8%	-	-35	-	dB
	LE 1Mbps, -1MHz adjacent to Image channel PER=30.8%	-	-22	-	dB
	LE 2Mbps, co-channel PER=30.8%	-	10	-	dB
	LE 2Mbps, adjacent +2 MHz PER=30.8%	-	-5	-	dB
	LE 2Mbps, adjacent -2 MHz PER=30.8%	-	-3	-	dB
	LE 2Mbps, adjacent +4 MHz PER=30.8%	-	-12	-	dB
	LE 2Mbps, adjacent -4 MHz PER=30.8%	-	-18	-	dB
	LE 2Mbps, adjacent $\geq \pm 6 $ MHz PER=30.8%	-	-35	-	dB
	LE 2Mbps, Image channel PER=30.8%	-	-12	-	dB
	LE 2Mbps, +2MHz adjacent to Image channel PER=30.8%	-	-24	-	dB
	LE 2Mbps, -2MHz adjacent to Image channel PER=30.8%	-	-5	-	dB

Table 34. Bluetooth Receiver Characteristics on LP RF Chain

- BR, EDR:** Sensitivities for channels 38,78 are up to 4dB worse, due to the desensitization of the receiver from harmonics of the system clock (40MHz)
- BLE, LR:** Sensitivities for channels 19,39 are up to 3dB worse, due to the desensitization of the receiver from harmonics of the system clock (40MHz)

3.5.8 WLAN 5GHz Transmitter Characteristics

TA = 25 °C, Parameters are measured at antenna port on 3 channels and 3 frequency bands⁽¹⁾

Parameter	Condition	Notes	Min	Typ	Max	Units
Transmit Power for 20 MHz Bandwidth, compliant with IEEE mask and EVM Frequency Band: 5180 - 5300 MHz	OFDM - 6 Mbps	EVM< -5 dB	-	11	-	dBm
	OFDM - 9 Mbps	EVM< -8 dB	-	10.5	-	dBm
	OFDM - 12 Mbps	EVM< -10 dB	-	11	-	dBm
	OFDM - 18 Mbps	EVM< -13 dB	-	11	-	dBm
	OFDM - 24 Mbps	EVM< -16 dB	-	11	-	dBm
	OFDM - 36 Mbps	EVM< -19 dB	-	10	-	dBm
	OFDM - 48 Mbps	EVM< -22 dB	-	8.5	-	dBm
	OFDM - 54 Mbps	EVM< -25 dB	-	7.5	-	dBm
	MCS0 Mixed Mode	EVM< -5 dB	-	11	-	dBm
	MCS1 Mixed Mode	EVM< -10 dB	-	11.5	-	dBm
	MCS2 Mixed Mode	EVM< -13 dB	-	11.5	-	dBm
	MCS3 Mixed Mode	EVM< -16 dB	-	10.5	-	dBm
	MCS4 Mixed Mode	EVM< -19 dB	-	9.5	-	dBm
	HT - MCS5	EVM< -22 dB	-	8	-	dBm
	HT - MCS6	EVM< -25 dB	-	7	-	dBm
HT - MCS7	EVM< -27 dB	-	5	-	dBm	
Transmit Power for 20 MHz Bandwidth, compliant with IEEE mask and EVM Frequency Band: 5500 - 5600 MHz	OFDM - 6 Mbps	EVM< -5 dB	-	11	-	dBm
	OFDM - 9 Mbps	EVM< -8 dB	-	11.5	-	dBm
	OFDM - 12 Mbps	EVM< -10 dB	-	11.5	-	dBm
	OFDM - 18 Mbps	EVM< -13 dB	-	11.5	-	dBm
	OFDM - 24 Mbps	EVM< -16 dB	-	11.5	-	dBm
	OFDM - 36 Mbps	EVM< -19 dB	-	8.5	-	dBm

Parameter	Condition	Notes	Min	Typ	Max	Units
	OFDM - 48 Mbps	EVM< -22 dB	-	7	-	dBm
	OFDM - 54 Mbps	EVM< -25 dB	-	6.5	-	dBm
	MCS0 Mixed Mode	EVM< -5 dB	-	11.5	-	dBm
	MCS1 Mixed Mode	EVM< -10 dB	-	11.5	-	dBm
	MCS2 Mixed Mode	EVM< -13 dB	-	11.5	-	dBm
	MCS3 Mixed Mode	EVM< -16 dB	-	10.5	-	dBm
	MCS4 Mixed Mode	EVM< -19 dB	-	8.5	-	dBm
	HT - MCS5	EVM< -22 dB	-	7	-	dBm
	HT - MCS6	EVM< -25 dB	-	5	-	dBm
	HT - MCS7	EVM< -27 dB	-	4	-	dBm
Transmit Power for 20 MHz Bandwidth, compliant with IEEE mask and EVM Frequency Band: 5725 - 5825 MHz	OFDM - 6 Mbps	EVM< -5 dB	-	9	-	dBm
	OFDM - 9 Mbps	EVM< -8 dB	-	9	-	dBm
	OFDM - 12 Mbps	EVM< -10 dB	-	9	-	dBm
	OFDM - 18 Mbps	EVM< -13 dB	-	9	-	dBm
	OFDM - 24 Mbps	EVM< -16 dB	-	9.5	-	dBm
	OFDM - 36 Mbps	EVM< -19 dB	-	6.5	-	dBm
	OFDM - 48 Mbps	EVM< -22 dB	-	5	-	dBm
	OFDM - 54 Mbps	EVM< -25 dB	-	3.5	-	dBm
	MCS0 Mixed Mode	EVM< -5 dB	-	9	-	dBm
	MCS1 Mixed Mode	EVM< -10 dB	-	9.5	-	dBm
	MCS2 Mixed Mode	EVM< -13 dB	-	9.5	-	dBm
	MCS3 Mixed Mode	EVM< -16 dB	-	9.5	-	dBm
	MCS4 Mixed Mode	EVM< -19 dB	-	7	-	dBm
	HT - MCS5	EVM< -22 dB	-	5.5	-	dBm
HT - MCS6	EVM< -25 dB	-	3.5	-	dBm	

Parameter	Condition	Notes	Min	Typ	Max	Units
	HT - MCS7	EVM< -27 dB	-	1	-	dBm
Transmitter Emissions (6 Mbps @ Maximum Power)	776-794 MHz	CDMA2000	-	-159	-	dBm/Hz
	869-960 MHz	CDMAOne, GSM850	-	-159	-	dBm/Hz
	1450-1495 MHz	DAB	-	-158	-	dBm/Hz
	1570-1580 MHz	GPS	-	-158	-	dBm/Hz
	1710-1800 MHz	DSC-1800-Uplink	-	-158	-	dBm/Hz
	1805-1880 MHz	GSM 1800	-	-158	-	dBm/Hz
	1850-1910 MHz	GSM 1900	-	-158	-	dBm/Hz
	1910-1930 MHz	TDSCDMA,LTE	-	-158	-	dBm/Hz
	1930-1990 MHz	GSM1900, CDMAOne, WCDMA	-	-158	-	dBm/Hz
	2010-2075 MHz	TDSCDMA	-	-159	-	dBm/Hz
	2110-2170 MHz	WCDMA	-	-159	-	dBm/Hz
	2305-2370 MHz	LTE Band 40	-	-159	-	dBm/Hz
	2370-2400 MHz	LTE Band 40	-	-159	-	dBm/Hz
	2496-2530 MHz	LTE Band 41	-	-159	-	dBm/Hz
2530-2560 MHz	LTE Band 41	-	-159	-	dBm/Hz	
2570-2690 MHz	LTE Band 41	-	-155	-	dBm/Hz	

Table 35. WLAN 5 GHz Transmitter Characteristics

- Up to 3 dB variation in power from channel-to-channel.

3.5.9 WLAN 5GHz Receiver Characteristics

TA = 25 °C, Parameters are measured at antenna port on 3 channels and 3 frequency bands⁽¹⁾

Parameter	Condition/Notes	Min	Typ	Max	Units
Sensitivity for 20 MHz Bandwidth ⁽¹⁾ Frequency Band: 5180 - 5300 MHz	6 Mbps OFDM	-	-88	-	dBm
	9 Mbps OFDM	-	-87.5	-	dBm
	12 Mbps OFDM	-	-86.5	-	dBm
	18 Mbps OFDM	-	-84.5	-	dBm
	24 Mbps OFDM	-	-81.5	-	dBm
	36 Mbps OFDM	-	-78	-	dBm

Parameter	Condition/Notes	Min	Typ	Max	Units
	48 Mbps OFDM	-	-74	-	dBm
	54 Mbps OFDM	-	-73	-	dBm
	MCS0 Mixed Mode	-	-86	-	dBm
	MCS1 Mixed Mode	-	-84.5	-	dBm
	MCS2 Mixed Mode	-	-82.5	-	dBm
	MCS3 Mixed Mode	-	-79.5	-	dBm
	MCS4 Mixed Mode	-	-75.5	-	dBm
	MCS5 Mixed Mode	-	-71.5	-	dBm
	MCS6 Mixed Mode	-	-68.5	-	dBm
	MCS7 Mixed Mode	-	-69	-	dBm
Sensitivity for 20 MHz Bandwidth ⁽¹⁾ Frequency Band: 5500 - 5600 MHz	6 Mbps OFDM	-	-86.5	-	dBm
	9 Mbps OFDM	-	-86.5	-	dBm
	12 Mbps OFDM	-	-85.5	-	dBm
	18 Mbps OFDM	-	-83	-	dBm
	24 Mbps OFDM	-	-80.5	-	dBm
	36 Mbps OFDM	-	-76.5	-	dBm
	48 Mbps OFDM	-	-72.5	-	dBm
	54 Mbps OFDM	-	-70.5	-	dBm
	MCS0 Mixed Mode	-	-85	-	dBm
	MCS1 Mixed Mode	-	-83	-	dBm
	MCS2 Mixed Mode	-	-81	-	dBm
	MCS3 Mixed Mode	-	-78	-	dBm
	MCS4 Mixed Mode	-	-74.5	-	dBm
	MCS5 Mixed Mode	-	-70	-	dBm
MCS6 Mixed Mode	-	-67	-	dBm	
MCS7 Mixed Mode	-	-67.5	-	dBm	
Sensitivity for 20 MHz Bandwidth ⁽¹⁾ Frequency Band: 5725 - 5825 MHz	6 Mbps OFDM	-	-85	-	dBm
	9 Mbps OFDM	-	-84	-	dBm
	12 Mbps OFDM	-	-83.5	-	dBm
	18 Mbps OFDM	-	-81	-	dBm
	24 Mbps OFDM	-	-78	-	dBm
	36 Mbps OFDM	-	-74.5	-	dBm
	48 Mbps OFDM	-	-70.5	-	dBm
	54 Mbps OFDM	-	-69	-	dBm
	MCS0 Mixed Mode	-	-83	-	dBm

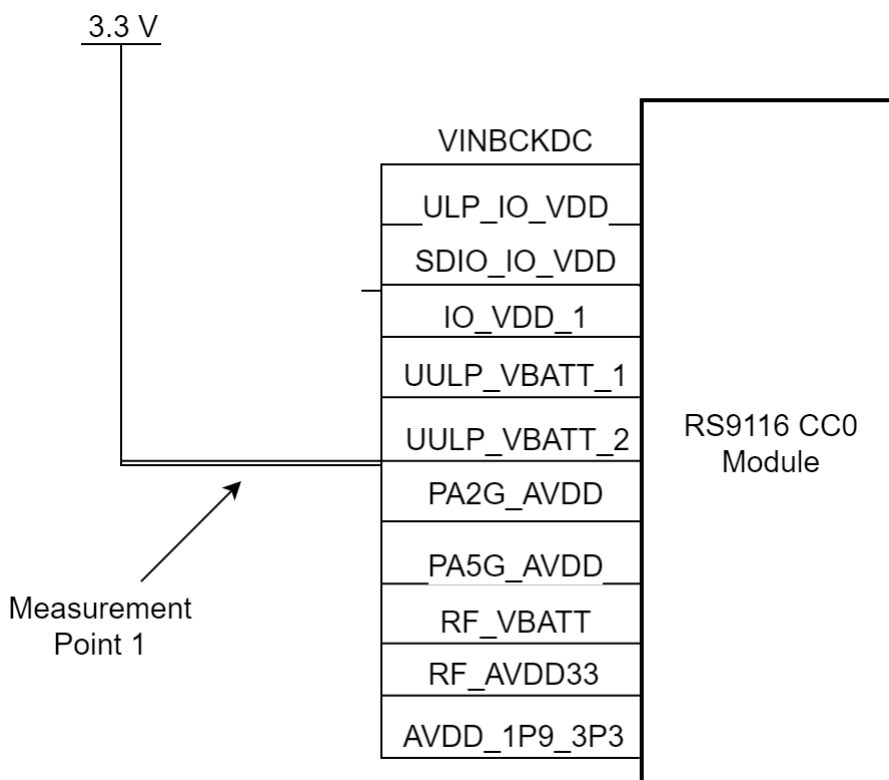
Parameter	Condition/Notes	Min	Typ	Max	Units
	MCS1 Mixed Mode	-	-81.5	-	dBm
	MCS2 Mixed Mode	-	-78.5	-	dBm
	MCS3 Mixed Mode	-	-76	-	dBm
	MCS4 Mixed Mode	-	-72.5	-	dBm
	MCS5 Mixed Mode	-	-68	-	dBm
	MCS6 Mixed Mode	-	-66	-	dBm
	MCS7 Mixed Mode	-	-66	-	dBm
Maximum Input Level for PER below 10%	802.11g	-	-11	-	dBm
	802.11n	-	-12	-	dBm
RSSI Accuracy Range		-3	-	-3	dB
Blocking level for 3 dB RX Sensitivity Degradation (Data rate 6Mbps OFDM, Desired signal at -79dBm)	776–794 MHz	-	-1	-	dBm
	824–849 MHz	-	-2	-	dBm
	880–915 MHz	-	-2	-	dBm
	1710–1785 MHz	-	-2	-	dBm
	1850–1910 MHz	-	-3	-	dBm
	1920–1980 MHz	-	-3	-	dBm
	2500–2570 MHz	-	-6	-	dBm
	2300–2400 MHz	-	-8	-	dBm
	2570–2620 MHz	-	-6	-	dBm
	2545–2575 MHz	-	-5	-	dBm
Return Loss		-10	-4.5	-	dB
Adjacent Channel Interference	6 Mbps OFDM	16	19	-	dB
	9 Mbps OFDM	15	18	-	dB
	12 Mbps OFDM	13	19	-	dB
	18 Mbps OFDM	11	18	-	dB
	24 Mbps OFDM	8	17	-	dB
	36 Mbps OFDM	4	20	-	dB
	48 Mbps OFDM	0	14	-	dB
	54 Mbps OFDM	-1	15	-	dB
	MCS7 Mixed Mode	-2	14	-	dB

Table 36. WLAN 5 GHz Receiver Characteristics

1. Up to 3 dB variation in sensitivities from channel-to-channel.

3.6 Typical Current Consumption

3.6.1 3.3 V



3.6.1.1 WLAN

Parameter	Description	Value	Units
1 Mbps Listen	LP Chain	14	mA
1 Mbps RX Active	LP Chain	20	mA
IEEE 802.11g - 6 Mbps RX Active	HP Chain	49	mA
IEEE 802.11g - 72 Mbps RX Active	HP Chain	49	mA
11 Mbps TX Active	Tx Power = Maximum (18dBm)	270	mA
	Tx Power = 8dBm	130	mA
IEEE 802.11g - 6 Mbps TX Active	Tx Power = Maximum (18dBm)	285	mA
	Tx Power = 8dBm	130	mA
IEEE 802.11g - 54 Mbps TX Active	Tx Power = Maximum (15dBm)	200	mA
	Tx Power = 8dBm	130	mA
IEEE 802.11g - 72 Mbps TX Active	Tx Power = Maximum (12dBm)	180	mA
	Tx Power = 8dBm	130	mA
Deep Sleep	GPIO Wake up	0.9	uA
Standby	State retained	13.1	uA
Standby Associated, DTIM = 1	2.4GHz Band	586	uA

Parameter	Description	Value	Units
	5GHz Band	1.6	mA
Standby Associated, DTIM = 3	2.4GHz Band	238	uA
	5GHz Band	690	uA
Standby Associated, DTIM = 10	2.4GHz Band	102	uA
	5GHz Band	270	uA

3.6.1.2 Bluetooth BR and EDR

Parameter	Description	Value	Units
TX Active Current, 1 Mbps BR	LP chain, Tx Power = -2 dBm	9.9	mA
	HP chain, Tx Power = Maximum (12 dBm)	130	mA
RX Active Current, 1 Mbps BR	LP chain	10.2	mA
	HP chain	26.7	mA
TX Active Current, 2 Mbps EDR	HP chain, Tx Power = Maximum (12 dBm)	130	mA
RX Active Current, 2 Mbps EDR	LP chain	10.2	mA
	HP chain	26.7	mA
TX Active Current, 3 Mbps EDR	HP chain, Tx Power = Maximum (12 dBm)	140	mA
RX Active Current, 3 Mbps EDR	HP chain	26.7	mA
Deep Sleep	GPIO Wake up	0.9	uA
Standby	State retained	13.1	uA

3.6.1.3 Bluetooth LE

Parameter	Description	Value	Units
TX Active Current	LP chain, Tx Power = -2 dBm	8.9	mA
	LP Chain, Tx Power = 2 dBm	-	mA
	HP Chain, Tx Power = Maximum (18 dBm)	190	mA
RX Active Current	LP chain	10.9	mA
	HP chain	26.7	mA
Deep Sleep	GPIO Wake up	0.9	uA
Standby	State retained	13.1	uA
Advertising, Unconnectable	Advertising on all 3 channels Advertising Interval = 1.28s Tx Power = -2 dBm, LP chain	45	uA

Parameter	Description	Value	Units
Advertising, Connectable	Advertising on all 3 channels Advertising Interval = 1.28s Tx Power = -2 dBm, LP chain	60	uA
Connected	Connection Interval = 1.28s No Data Tx Power = -2 dBm, LP chain	44	uA
Connected	Connection Interval = 200ms No Data Tx Power = 0 dBm, LP chain	144	uA

4 RS9116 CC0 Module Detailed Description

4.1 Overview

The RS9116 CC0 module is based on Silicon Labs' RS9116 ultra-low-power, single spatial stream, 802.11n + BT/BLE5.0 Convergence SOC. The RS9116 CC0 module is FCC, IC, CE and TELEC certified and provides low-cost CMOS integration of a multi-threaded MAC processor (ThreadArch®), baseband digital signal processing, analog front-end, calibration eFuse, 2.4GHz RF transceiver, 5GHz RF transceiver, matching networks, antenna diversity switch (DPDT) and Quad-SPI Flash thus providing a fully-integrated solution for a range of hosted and embedded wireless applications. With Silicon Labs' embedded four-threaded processor and on-chip ROM and RAM, these modules enable integration into low-cost and zero host load applications. With an integrated PMU and support for a variety of digital peripherals, RS9116 enables very low-cost implementations for wireless hosted and embedded applications. It can be connected to a host processor through SDIO, USB, SPI or UART interfaces. Wireless firmware upgrades and provisioning are supported.

4.2 Module Features

4.2.1 WLAN

- Compliant to 1x1 IEEE 802.11 a/b/g/n with dual band (2.4 and 5 GHz) support
- Transmit power up to +18 dBm in 2 GHz and +13.5 dBm in 5 GHz
- Receive sensitivity as low as -96 dBm in 2 GHz and -89 dBm in 5 GHz
- Data Rates: 802.11b: Up to 11 Mbps; 802.11g/a: Up to 54 Mbps; 802.11n: MCS0 to MCS7
- Operating Frequency Range: 2412 MHz – 2484 MHz, 4.9 GHz – 5.975 GHz

4.2.1.1 MAC

- Conforms to IEEE 802.11b/g/n/j standards for MAC
- Dynamic selection of fragment threshold, data rate, and antenna depending on the channel statistics
- Hardware accelerators for WEP 64/128-bit and AES
- WPA, WPA2, and WMM support
- AMPDU and AMSDU aggregation for high performance
- Firmware downloaded from host based on application
- Hardware accelerators for DH (for WPS)

4.2.1.2 Baseband Processing

- Supports DSSS for 1, 2 Mbps and CCK for 5.5, 11 Mbps
- Supports all OFDM data rates (6, 9, 12, 18, 24, 36, 48, 54 Mbps, MCS0 to MCS7), and Short GI in Hosted mode
- Supports IEEE 802.11n single-stream modes with data rates up to 150 Mbps
- Supports long, short, and HT preamble modes
- High-performance multipath compensation in OFDM, DSSS, and CCK modes

4.2.2 Bluetooth

- Transmit power up to +18 dBm with integrated PA
- Receive sensitivity: LE: -93 dBm, LR 125 Kbps: -104 dBm
- Compliant to dual-mode Bluetooth 5
- <8 mA transmit current in Bluetooth 5 mode, 2 Mbps data rate
- Data rates: 125 Kbps, 500 Kbps, 1 Mbps, 2 Mbps, 3 Mbps
- Operating Frequency Range: 2.402 GHz - 2.480 GHz

- Bluetooth 2.1 + EDR, Bluetooth Low Energy 4.0 / 4.1 / 4.2 / 5.0
- Bluetooth Low Energy 1 Mbps, 2 Mbps and Long Range modes
- Bluetooth Low Energy Secure connections
- Bluetooth Low Energy supports central role and peripheral role concurrently
- Bluetooth auto rate and auto TX power adaptation
- Scatternet* with two slave roles while still being visible

* For a detailed list of software features and available profiles, refer to the Software Reference Manuals or contact Silicon Labs for availability.

4.2.2.1 MAC

4.2.2.1.1 Link Manager

- Creation, modification & release of logical links
- Connection establishment between Link managers of two Bluetooth devices
- Link supervision is implemented in Link Manager
- Link power control is done depending on the inputs from Link Controller
- Enabling & disabling of encryption & decryption on logical links
- Services the data transport requests from L2CAP and provides required QOS
- Support for security using ECDH hardware accelerator

4.2.2.1.2 Link Controller

- Encodes and decodes header of BT packets
- Manages flow control, acknowledgment, retransmission requests, etc.
- Stores the last packet status for all logical transports
- Chooses between SCO & ACL buffers depending on the control information coming from BBP resource manager
- Indicates the success status of packet transmission to upper layers
- Indicates the link quality to the LMP layer

4.2.2.1.3 Host Controller

- Receives & decodes commands received from the Bluetooth Host.
- Propagates the decoded commands to respective modules
- Responsible for transmitting and receiving packets from and to Host
- Formats the responses coming from other modules of Bluetooth Controller as events and sends them to the Host.

4.2.2.1.4 Device Manager

- Controls Scan & Connection processes
- Controls all BT Device operations except data transport operations
- Storing link keys
- BT Controller state transition management
- Slot synchronization & management
- Access contract management
- Scheduler

4.2.2.2 Baseband Processing

- Supports GFSK (1 Mbps), EDR-DQPSK, EDR-D8PSK

- Supports BLE and Bluetooth long range
- Supports Data rates up to 3 Mbps

4.2.3 RF Transceiver

- Integrated 2.4 GHz transceiver with highly programmable operating modes
- Integrated 5 GHz transceiver with highly programmable operating modes
- Integrated matching networks and diplexers
- Integrated antenna DPDT switch with optional antenna diversity
- Internal oscillator with 40 MHz crystal
- Inbuilt automatic boot up and periodic calibration enables ease of integration

4.2.4 Host Interfaces

- SDIO
 - Version 2.0-compatible
 - Supports SD-SPI, 1-bit, and 4-bit SDIO modes
 - Operation up to a maximum clock speed of 50 MHz
- SPI Interface
 - Operation up to a maximum clock speed of 100 MHz
- USB 2.0
 - Supports 480Mbps “High Speed” (HS), 12Mbps “Full Speed” (FS) and 1.5Mbps “Low Speed” (LS) serial data transmission
 - Support USB CDC and device mode
- UART
 - Supports variable baud rates between 9600 and 3686400 bps
 - AT command interface for configuration and data transmission/reception

NOTE: Hosted mode (n-Link) supports USB 2.0 and SDIO. Embedded Mode (WiSeConnect) supports SPI, USB CDC, and UART.

4.2.4.1 Auto Host detection

RS9116 detects the host interface automatically after connecting to respective host controllers like SDIO, SPI, UART, USB and USB-CDC. SDIO/SPI host interface is detected through the hardware packet exchanges. UART host interface is detected through the software based-on the received packets on the UART interface. USB-Device mode interface is detected through the hardware based-on VBUS signal level. The host interface detection between USB & USB-CDC will be taken care by the firmware based on the USB_CDC_DIS GPIO. This Host configuration is stored in always-on domain registers after detection (on power up) and reused this information at each wakeup.

4.2.5 Wireless Coexistence Manager

- Arbitration between Wi-Fi, Bluetooth, and Bluetooth Low Energy
- Application aware arbitration
- Adaptive frequency hopping (AFH) in Bluetooth is based on WLAN channel usage
- Pre inter thread interrupts generation for radio switching
- QoS assurance across different traffics

4.2.6 Software

The RS9116 software package supports 802.11 b/g/n Client, Access Point (Up to 16 clients), Concurrent Client and Access Point mode, Enterprise Security, dual-mode BT 5.0 functionality on a variety of host platforms and operating systems. The software package includes complete firmware, reference drivers, application profiles and configuration

graphical user interface (GUI) for Linux operating systems. The Wi-Fi driver has support for a simultaneous access point, and client mode. Bluetooth host driver utilizes Opensource host stacks like BlueZ for Linux. The application layer supports all profiles supported by BlueZ on Linux. It has a wireless coexistence manager to arbitrate between protocols.

The RS9116 software package is available in two flavors

- **Hosted mode (n-Link™):** Wi-Fi stack, Bluetooth stack and profiles, and all network stacks reside on the host processor. Support for multiple Virtual Access Points available.
- **Embedded mode (WiSeConnect™):** Wi-Fi stack, TCP/IP stack, IP modules, Bluetooth stack and some profiles reside in RS9116; Some of the Bluetooth profiles reside in the host processor

NOTE: Please refer to the Software Manuals (TRM and PRM) in [RS9116 Document Library](#) for more details.

4.2.6.1 Hosted Mode (n-Link™)

- Available host interfaces: SDIO 2.0 and USB HS
- Support for 20 MHz channel bandwidth
- Application data throughput up to 50 Mbps (Hosted Mode) in 802.11n with 20 MHz bandwidth
- Host drivers for Linux
- Support for Client mode, Access point mode (Up to 16 clients), Concurrent Client and Access Point mode, and Enterprise Security
- Support for concurrent Wi-Fi, dual-mode Bluetooth 5

4.2.6.2 Embedded Mode (WiSeConnect™)

- Available host interface: UART, SPI, and USB CDC
- Support for Embedded Client mode, Access Point mode (Up to 8 clients), Concurrent Client and Access Point mode, and Enterprise Security
- Supports advanced security features: WPA/WPA2-Personal and Enterprise
- Integrated TCP/IP stack, HTTP/HTTPS, SSL/TLS, MQTT
- Bluetooth inbuilt stack support for L2CAP, RFCOMM, SDP, SPP, GAP
- Bluetooth profile support for GAP, SDP, SPP, GATT, L2CAP, RFCOMM
- Wireless firmware update and provisioning
- Support for concurrent Wi-Fi, dual-mode Bluetooth 5

* For a detailed list of software features and available profiles, refer to the Software Reference Manuals or contact Silicon Labs for availability.

4.2.7 Security

RS9116 supports multiple levels of security capabilities available for the development of IoT devices.

- Accelerators: AES128/256 in Embedded Mode
- WPA/WPA2-Personal, WPA/WPA2 Enterprise for Client

* For a detailed list of software features and available profiles, refer to the Software Reference Manuals or contact Silicon Labs for availability.

4.2.8 Power Management

The RS9116 chipsets have an internal power management subsystem, including DC-DC converters and linear regulators. This subsystem generates all the voltages required by the chipset to operate from a wide variety of input sources.

- LC DC-DC switching converter for RF and Digital blocks
 - Wide input voltage range (1.85 to 3.6V) on pin VINBCKDC
 - Output - 1.4V and 300mA maximum load on pin VOUTBCKDC
- SC DC-DC - Switching converter for Always-ON core logic domain
 - Wide input voltage range (1.85 to 3.6V) on pin UULP_VBATT_1 and UULP_VBATT_2
 - Output - 1.05V
- LDO SOC - Linear regulator for digital blocks
 - Input - 1.4V from LC DC-DC or external regulated supply on pin VINLDOSOC
 - Output - 1.15V and 300mA maximum load on pin VOUTLDOSOC
- LDO RF and AFE - Linear regulator for RF and AFE
 - Input - 1.4V from LC DC-DC or external regulated supply on pin RF_AVDD
 - Output - 1.1V and 20mA maximum load on pin VOUTLDOAFE
- LDO FLASH - Linear regulator for internal and external Flash
 - Input - Wide input voltage range (1.85 to 3.6V) on pin VINLDO1P8
 - Output - 1.8V and 20mA maximum load on pin VOUTLDO1P8

4.2.9 Low Power Modes

It supports Ultra-low power consumption with multiple power modes to reduce the system energy consumption.

- Dynamic Voltage and Frequency Scaling
- Low Power (LP) mode with only the host interface active
- Deep sleep (ULP) mode with only the sleep timer active – with and without RAM retention
- Wi-Fi standby associated mode with automatic periodic wake-up
- Automatic clock gating of the unused blocks or transit the system from Normal to LP or ULP modes

4.2.9.1 ULP Mode

In Ultra Low Power mode, the deep sleep manager has control over the other subsystems and processors and controls their active and sleep states. During deep sleep, the always-on logic domain operates on a lowered supply and a 32 KHz low-frequency clock to reduce power consumption. The ULP mode supports the following wake-up options:

- Timeout wakeup - Exit sleep state after programmed timeout value.
- GPIO Based Wakeup: Exit sleep state when GPIO goes High/Low based on programmed polarity.
- Analog Comparator Based wakeup - Exit sleep state on an event at the analog comparator.
- RTC Timer wakeup - Exit Sleep state on timeout of RTC timer
- WatchDog Interrupt based wakeup - Exit Sleep state upon watchdog interrupt timeout.

ULP mode is not supported in the USB interface mode

4.2.9.2 LP Mode

In Low Power mode, Network processor maintains system state and gate all internal high frequency clocks. But host interface is ready to accept any command from host controller.

The LP mode supports the following wake-up options:

- Host Request - Exit sleep state on a command from HOST controller. whenever a command from the host is received, the processor serves the request with minimum latency and the clock is gated immediately after the completion of the operation to reduce power consumption
- GPIO based wakeup - Wakeup can be initiated through a GPIO pin

- Timeout wakeup - Exit sleep state after the programmed timeout value

4.2.10 Memory

4.2.10.1 On-chip Memory

The ThreadArch® processor has the following memory:

- On-chip SRAM for the wireless stack.
- 512Kbytes of ROM which holds the Secure primary bootloader, Network Stack, Wireless stacks and security functions.
- 16Kbytes of Instruction cache enabling eXecute In Place (XIP) with quad SPI flash memory.
- eFuse of 512 bytes (used to store primary boot configuration, security and calibration parameters)

4.2.10.2 Serial Flash

The RS9116 utilizes a serial Flash to store processor instructions and other data. The SPI Flash Controller is a 1/2/4-wired interface for serial access of data from Flash. It can be used in either Single, Dual or Quad modes. Instructions are read using the Direct Fetch mode while data transfers use the Indirect Access mode. The SPI Flash Controller in RS9116 has been designed with programmable options for most of the single and multi-bit operations. RS9116 CC0 module has 4 Mbytes internal flash memory.

5 RS9116 CC0 Module Reference Schematics, BOM and Layout Guidelines

5.1 SDIO/SPI/UART

5.1.1 Schematics

The diagram below shows the typical schematic with SDIO/SPI/UART Host Interface.

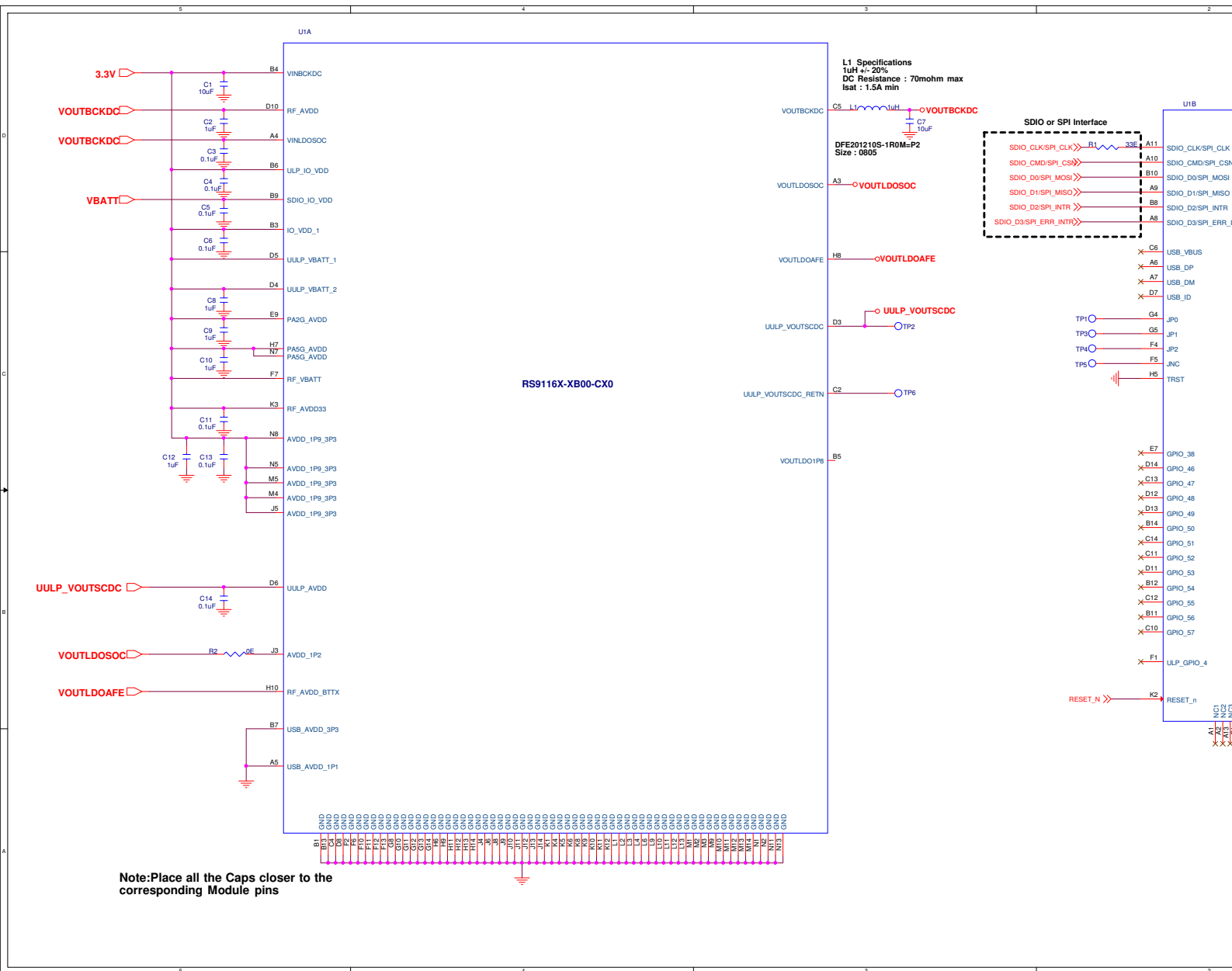


Figure 16. Schematics with SDIO/SPI/UART Host Interface

1. The supplies can be driven by different voltage sources within the recommended operating conditions specified in Specific
2. SDIO_IO_VDD can be driven by a different source irrespective of other sources to support different interfaces.
3. In the SDIO mode, pull-up resistors should be present on SDIO_CMD & SDIO Data lines as per the SDIO physical layer sp
4. In SPI mode, ensure that the input signals, SPI_CS and SPI_CLK are not floating when the device is powered up and rese ensuring that the host processor configures its signals (outputs) before deasserting the reset. SPI_INTR is the interrupt sig may be configured as Active-high or Active-low. If it is active-high, an external pull-down resistor may be required. If it is a be required. This resistor can be avoided if the following action needs to be carried out in the host processor
 - a. To use the signal in the Active-high or Active-low mode, ensure that, during the power up of the device, the Interru deasserting the reset. After deasserting the reset, the Interrupt needs to be enabled only after the SPI initialization programmed to either Active-high or Active-low mode as required.
 - b. The Host processor needs to be disable the interrupt before the ULP Sleep mode is entered and enable it after SP from ULP Sleep.
5. In UART mode, ensure that the input signals, UART_RX and UART_CTS are not floating when the device is powered up a by ensuring that the host processor configures its signals (outputs) before deasserting the reset.
6. Resistor "R1" should not be populated if UART is used as Host Interface.

5.1.2 Bill of Materials

S.No.	Quantity	Reference	Value	Description	JEDEC	Man
1	2	C1,C7	10uF	CAP CER 10UF 10V X5R 0805	0805	Mura
2	5	C2,C8,C9,C10, C12,	1uF	CAP CER 1UF 10V 10% X5R 0402	0402	Mura
3	7	C3,C4,C5,C6,C 11,C13,C14	0.1uF	CAP CER 0.1UF 10V X5R 0402	0402	Mura
4	2	J1,J2		Antenna/U.FL		
5	1	L1	1uH	FIXED IND 1UH 2.3A 70 MOHM SMD	0805	Mura
6	1	R1	33E	RES SMD 33 OHM 5% 1/10W	0402	Pan
7	1	R2	0E	RES SMD 0 OHM JUMPER 1/16W 0402	0402	Yag

S.No.	Quantity	Reference	Value	Description	JEDEC	Man
8	1	U1		Wireless Single/Dual Band Module		Silic
9	2	Z1,Z4	8.2pF	CER CHP 8.2P +/-0.25P C0G 0201 25V	0201	Mur
10	4	Z2,Z3,Z5,Z6		Optional Capacitors for Antenna Matching	0201	

Table 37. Bill of Materials with SDIO/SPI/UART Host Interface

5.2 USB/USB-CDC

5.2.1 Schematics

The diagram below shows the typical schematic with USB/USB-CDC Host Interface.

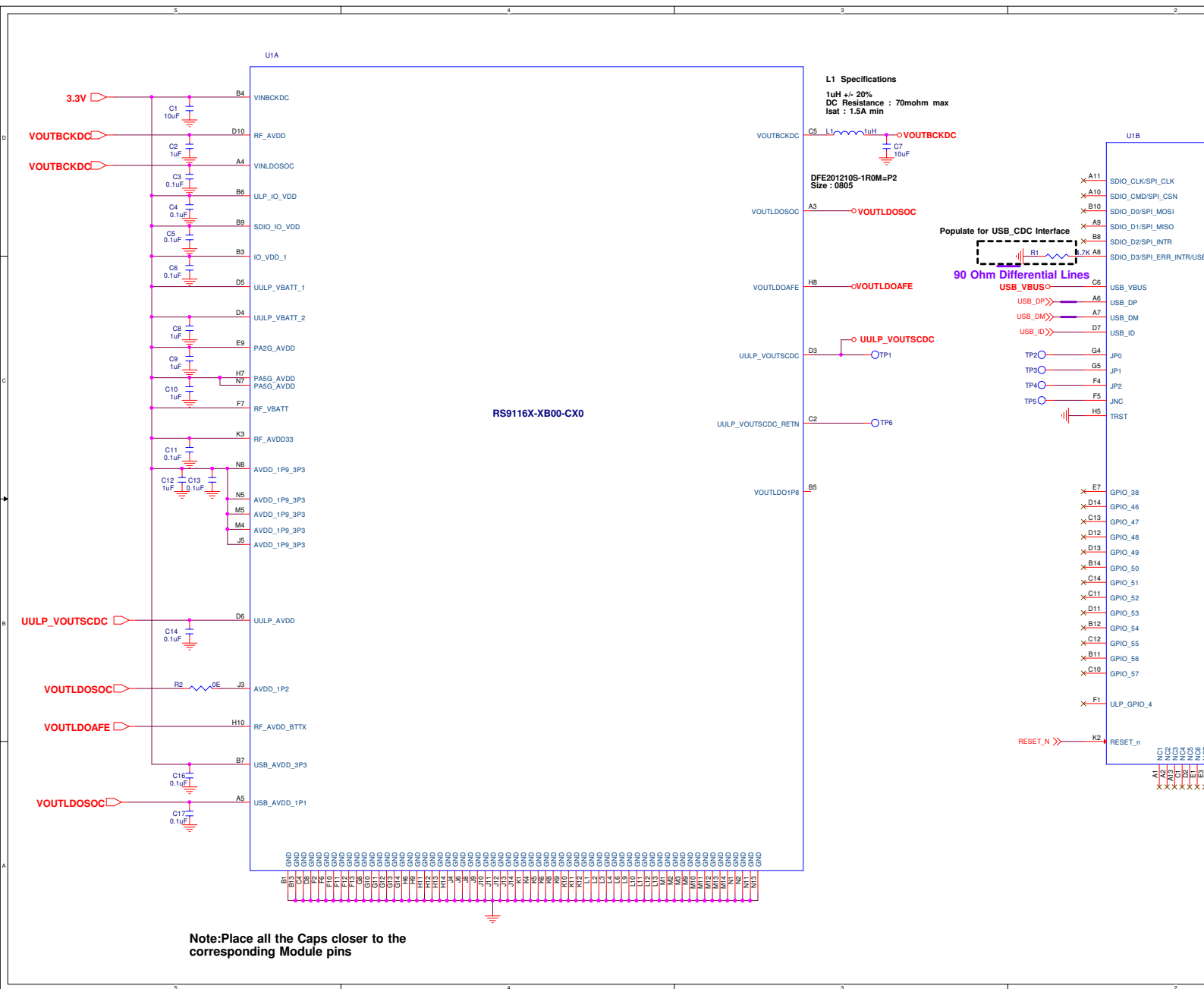


Figure 17. Schematics with USB/USB-CDC Host Interface

1. The supplies can be driven by different voltage sources within the recommended operating conditions specified in Specific
2. Ensure that the pin USB_CDC_DIS is left unconnected to ensure normal USB functionality.
3. Resistor "R1" should not be populated if normal USB is used as Host Interface.

5.2.2 Bill of Materials

S.No.	Quantity	Reference	Value	Description	JEDEC	Man
1	2	C1,C7	10uF	CAP CER 10UF 10V X5R 0805	0805	Mura
2	5	C2,C8,C9,C10, C12,	1uF	CAP CER 1UF 10V 10% X5R 0402	0402	Mura
3	9	C3,C4,C5,C6,C 11,C13,C14,C1 6,C17	0.1uF	CAP CER 0.1UF 10V X5R 0402	0402	Mura
4	2	J1,J2		Antenna/U.FL		
5	1	L1	1uH	FIXED IND 1UH 2.3A 70 MOHM SMD	0805	Mura
6	1	R1	4.7K	RES SMD 4.7K OHM 1% 1/16W 0402	0402	Yag
7	1	R2	0E	RES SMD 0 OHM JUMPER 1/16W 0402	0402	Yag
8	1	U1		Wireless Single/Dual Band Module		Silic
9	2	Z2,Z4	8.2pF	CER CHP 8.2P +/-0.25P C0G 0201 25V	0201	Mura
10	4	Z1,Z3,Z5,Z6		Optional Capacitors for Antenna Matching	0201	

Table 38. Bill of Materials with USB/USB-CDC Host Interface

5.3 Layout Guidelines

1. The following Supply Pins needs to be STAR routed from the Supply Source
 - a. VINBCKDC
 - b. ULP_IO_VDD
 - c. SDIO_IO_VDD
 - d. IO_VDD_1
 - e. UULP_VBATT_1
 - f. UULP_VBATT_2
 - g. PA2G_AVDD
 - h. PA5G_AVDD
 - i. RF_VBATT
 - j. RF_AVDD33
 - k. AVDD_1P9_3P3
2. The RF_PORT2 (Module Pin No. N14) signal may be directly connected to an on-board chip antenna or terminated in an RF connector of any form factor for enabling the use of external antennas.
3. There need to be DC blocking capacitors (8.2pF) on RF_PORT2 & RF_PORT1 if they are connected to Antennas
4. The RF trace on RF_OUT should have a characteristic impedance of 50 Ohms. Any standard 50 Ohms RF trace (Microstrip or Coplanar wave guide) may be used. The width of the 50 Ohms line depends on the PCB stack, e.g., the dielectric of the PCB, thickness of the copper, thickness of the dielectric and other factors. Consult the PCB fabrication unit to get these factors right.
5. To evaluate transmit and receive performance like Tx Power and EVM, Rx sensitivity and the like, an RF connector would be required. Since Antenna is connected to RF_PORT2, connect U.FI connector to RF_PORT1 for RF related test & evaluation.
6. The layout Guidelines for the BUCK are as follows:-

Minimise the loop area formed by inductor switching node, output capacitors & input capacitors. This helps keep high current paths as short as possible. Keeping high current paths shorter and wider would help decrease trace inductance & resistance. This would significantly help increase the efficiency in high current applications. This reduced loop area would also help in reducing the radiated EMI that may affect nearby components.

 - a. VINBCKDC Capacitor should be very close to the Module Pin & the Ground Pad of the capacitor should have direct vias to the Ground Plane underneath.
 - b. Buck Inductor should be close to Module VOUTBCKDC pin and buck capacitor should be placed closed to the Inductor, the Ground Pad of the capacitor should have direct vias to the Ground Plane underneath.
 - c. The Ground Plane underneath the Buck Inductor in the Top Layer should be made as an isolated copper patch and should descend down to the Second Layer (Main Ground) through multiple Vias.
 - d. The path from VOUTBCKDC to VINLDOSOC is a high current path. The Trace should be as short & wide as possible and is recommended to run a Grounded Shield Traces on either side of this High Current Trace
 - e. The capacitor on VINLDOSOC should be very close to the Module Pin & the Ground Pad of the capacitor should have direct vias to the ground plane underneath.
7. For USB, it is recommended that the components and their values in the BoM be adhered to.
8. It is highly recommended that the two USB differential signals (USB_DP and USB_DN) be routed in parallel with a spacing (say, a) which achieves 90 Ω of differential impedances, 45 Ω for each trace.

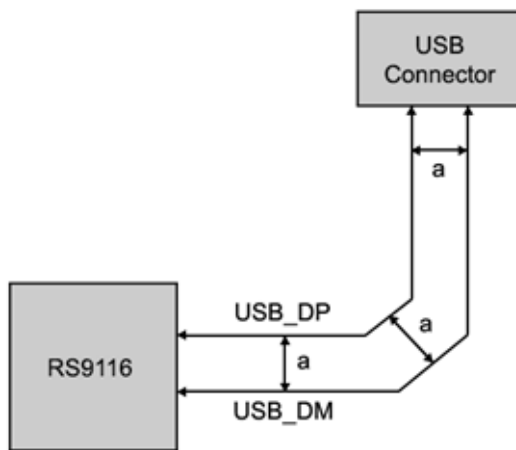


Figure 18. Spacing between USB_DP and USB_DM

- 9. In order to minimize crosstalk between the two USB differential signals (USB_DP and USB_DN) and other signal traces routed close to them, it is recommended that a minimum spacing of $3 \times a$ be maintained for low-speed non-periodic signals and a minimum spacing of $7 \times a$ be maintained for high-speed periodic signals.

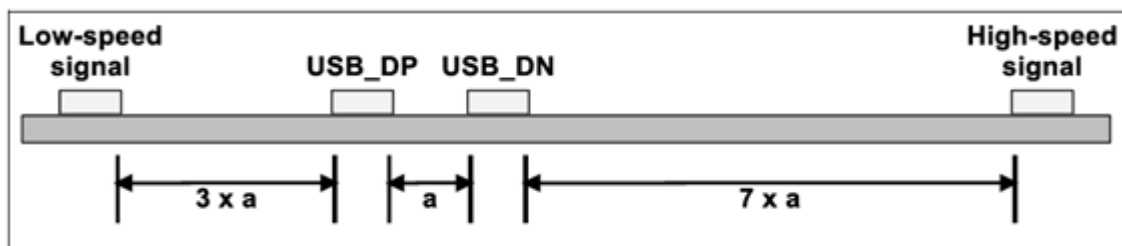


Figure 19. Spacing for Low-Speed and High-Speed Signals Around USB_DP/USB_DN

- 10. It is recommended that the total trace length of the signals between the RS9116 module and the USB connector be less than 450mm.
- 11. If the USB high-speed signals are routed on the Top layer, best results will be achieved if Layer2 is a Ground plane. Furthermore, there must be only one ground plane under high-speed signals in order to avoid the high-speed signals crossing to another ground plan

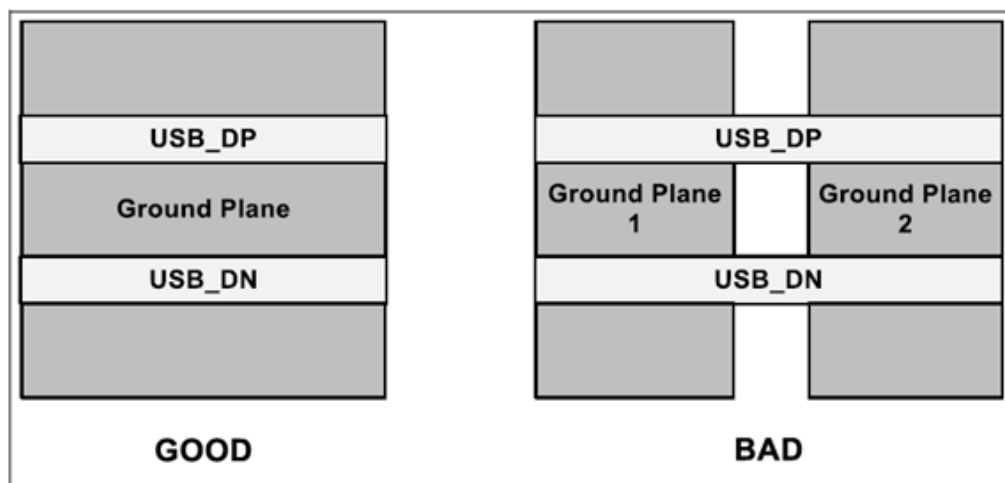


Figure 20. USB Signals and the Ground Plane

- 12. Each GND pin must have a separate GND via.

13. All decoupling capacitors placement must be as much close as possible to the corresponding power pins, and the trace lengths as short as possible.
14. Ensure all power supply traces widths are sufficient enough to carry corresponding currents.
15. Add GND copper pour underneath IC/Module in all layers, for better thermal dissipation.

Note:

When using Chip Antenna from vendors, the Chip Antenna layout guidelines provided by the vendor need to be used.

6 RS9116 CC0 Module Storage, Handling and Soldering Conditions

6.1 Recommended Reflow Profile

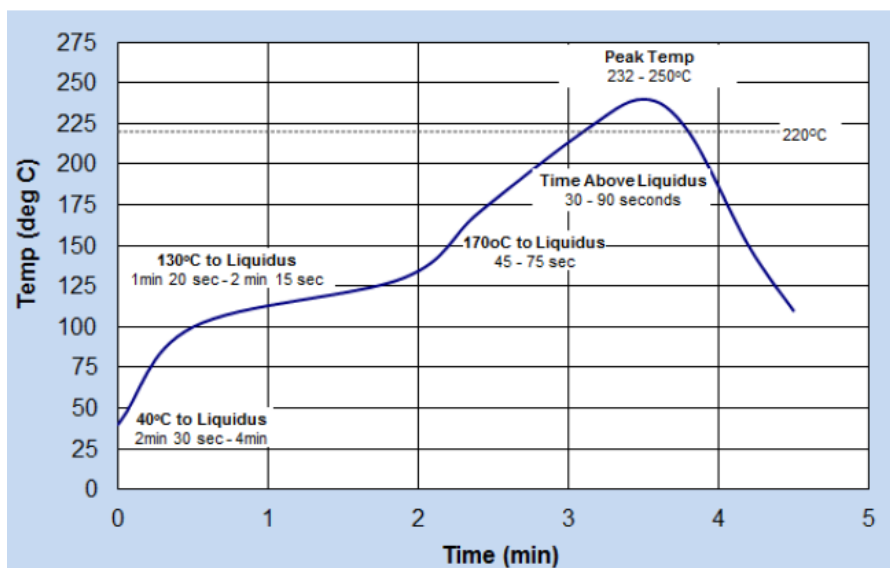


Figure 21 Reflow Diagram

Note:

The profile shown is based on SAC 305 solder (3% silver, 0.5% copper). We recommend the ALPHA OM-338 lead-free solder paste. This profile is provided mainly for guidance. The total dwell time depends on the thermal mass of the assembled board and the sensitivity of the components on it. The recommended belt speed is 50-60 Cm/Min. A finished module can go through two more reflow processes.

6.2 Baking Instructions

The packages are moisture sensitive (MSL3 grade) and devices must be handled appropriately. After the devices are removed from their vacuum-sealed packs, they should be taken through reflow for board assembly within 168 hours at room conditions or stored at under 10% relative humidity. If these conditions are not met, the devices must be baked before reflow. The recommended baking time is nine hours at 125°C.

7 RS9116 CC0 Module Package Description

7.1 Dimensions

Parameter	Value (LxWxH)	Units
Module Dimensions	9.1 x 9.8 x 1.6	mm
Tolerance	±0.2	mm

Table 39 Module Dimensions

7.2 Package Outline

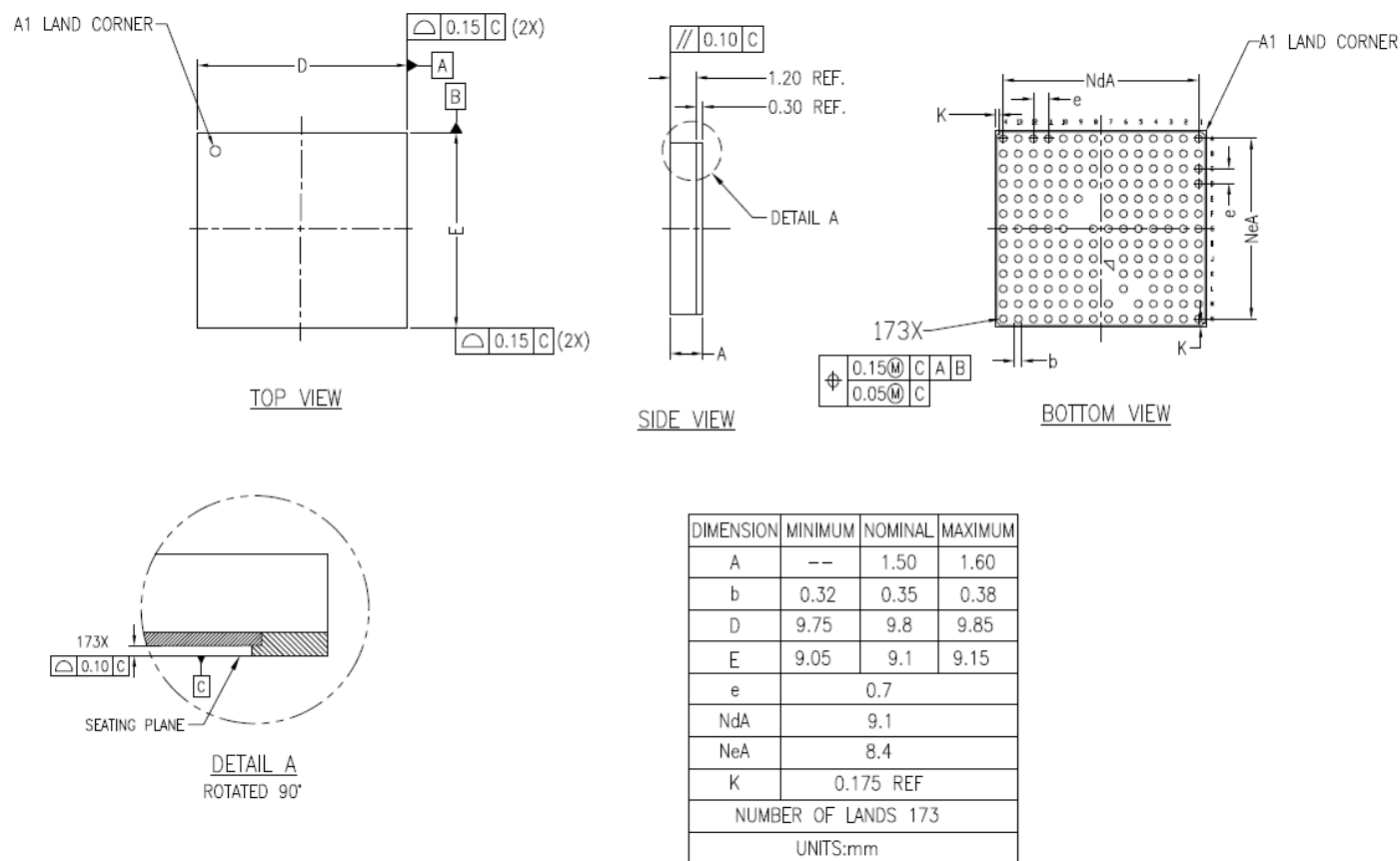


Figure 22. Package Outline

7.3 Pin Locations

All coordinates in the table below are in millimetres, and in TOP VIEW.

Pin Number	X-Coordinate	Y-Coordinate	Pin Number	X-Coordinate	Y-Coordinate	Pin Number	X-Coordinate	Y-Coordinate	Pin Number	X-Coordinate	Y-Coordinate
A1	-4.55	4.2	D3	-3.15	2.1	G8	0.35	0	K13	3.85	-2.1
A2	-3.85	4.2	D4	-2.45	2.1	G10	1.75	0	K14	4.55	-2.1
A3	-3.15	4.2	D5	-1.75	2.1	G11	2.45	0	L1	-4.55	-2.8
A4	-2.45	4.2	D6	-1.05	2.1	G12	3.15	0	L2	-3.85	-2.8
A5	-1.75	4.2	D7	-0.35	2.1	G13	3.85	0	L3	-3.15	-2.8
A6	-1.05	4.2	D8	0.35	2.1	G14	4.55	0	L4	-2.45	-2.8
A7	-0.35	4.2	D9	1.05	2.1	H1	-4.55	-0.7	L6	-1.05	-2.8
A8	0.35	4.2	D10	1.75	2.1	H2	-3.85	-0.7	L8	0.35	-2.8
A9	1.05	4.2	D11	2.45	2.1	H3	-3.15	-0.7	L9	1.05	-2.8
A10	1.75	4.2	D12	3.15	2.1	H4	-2.45	-0.7	L10	1.75	-2.8
A11	2.45	4.2	D13	3.85	2.1	H5	-1.75	-0.7	L11	2.45	-2.8
A12	3.15	4.2	D14	4.55	2.1	H6	-1.05	-0.7	L12	3.15	-2.8
A13	3.85	4.2	E1	-4.55	1.4	H7	-0.35	-0.7	L13	3.85	-2.8
A14	4.55	4.2	E2	-3.85	1.4	H8	0.35	-0.7	L14	4.55	-2.8
B1	-4.55	3.5	E3	-3.15	1.4	H9	1.05	-0.7	M1	-4.55	-3.5
B2	-3.85	3.5	E4	-2.45	1.4	H10	1.75	-0.7	M2	-3.85	-3.5
B3	-3.15	3.5	E5	-1.75	1.4	H11	2.45	-0.7	M3	-3.15	-3.5
B4	-2.45	3.5	E6	-1.05	1.4	H12	3.15	-0.7	M4	-2.45	-3.5
B5	-1.75	3.5	E7	-0.35	1.4	H13	3.85	-0.7	M5	-1.75	-3.5
B6	-1.05	3.5	E9	1.05	1.4	H14	4.55	-0.7	M7	-0.35	-3.5
B7	-0.35	3.5	E10	1.75	1.4	J1	-4.55	-1.4	M8	0.35	-3.5
B8	0.35	3.5	E11	2.45	1.4	J2	-3.85	-1.4	M9	1.05	-3.5
B9	1.05	3.5	E12	3.15	1.4	J3	-3.15	-1.4	M10	1.75	-3.5
B10	1.75	3.5	E13	3.85	1.4	J4	-2.45	-1.4	M11	2.45	-3.5
B11	2.45	3.5	E14	4.55	1.4	J5	-1.75	-1.4	M12	3.15	-3.5
B12	3.15	3.5	F1	-4.55	0.7	J6	-1.05	-1.4	M13	3.85	-3.5
B13	3.85	3.5	F2	-3.85	0.7	J8	0.35	-1.4	M14	4.55	-3.5
B14	4.55	3.5	F3	-3.15	0.7	J9	1.05	-1.4	N1	-4.55	-4.2
C1	-4.55	2.8	F4	-2.45	0.7	J10	1.75	-1.4	N2	-3.85	-4.2

Pin Number	X-Coordinate	Y-Coordinate	Pin Number	X-Coordinate	Y-Coordinate	Pin Number	X-Coordinate	Y-Coordinate	Pin Number	X-Coordinate	Y-Coordinate
C2	-3.85	2.8	F5	-1.75	0.7	J11	2.45	-1.4	N3	-3.15	-4.2
C3	-3.15	2.8	F6	-1.05	0.7	J12	3.15	-1.4	N4	-2.45	-4.2
C4	-2.45	2.8	F7	-0.35	0.7	J13	3.85	-1.4	N5	-1.75	-4.2
C5	-1.75	2.8	F10	1.75	0.7	J14	4.55	-1.4	N6	-1.05	-4.2
C6	-1.05	2.8	F11	2.45	0.7	K1	-4.55	-2.1	N7	-0.35	-4.2
C7	-0.35	2.8	F12	3.15	0.7	K2	-3.85	-2.1	N8	0.35	-4.2
C8	0.35	2.8	F13	3.85	0.7	K3	-3.15	-2.1	N9	1.05	-4.2
C9	1.05	2.8	F14	4.55	0.7	K4	-2.45	-2.1	N10	1.75	-4.2
C10	1.75	2.8	G1	-4.55	0	K5	-1.75	-2.1	N11	2.45	-4.2
C11	2.45	2.8	G2	-3.85	0	K6	-1.05	-2.1	N12	3.15	-4.2
C12	3.15	2.8	G3	-3.15	0	K8	0.35	-2.1	N13	3.85	-4.2
C13	3.85	2.8	G4	-2.45	0	K9	1.05	-2.1	N14	4.55	-4.2
C14	4.55	2.8	G5	-1.75	0	K10	1.75	-2.1			
D1	-4.55	2.1	G6	-1.05	0	K11	2.45	-2.1			
D2	-3.85	2.1	G7	-0.35	0	K12	3.15	-2.1			

Table 40. Pin Locations

7.4 PCB Landing Pattern

All dimensions are in millimetres

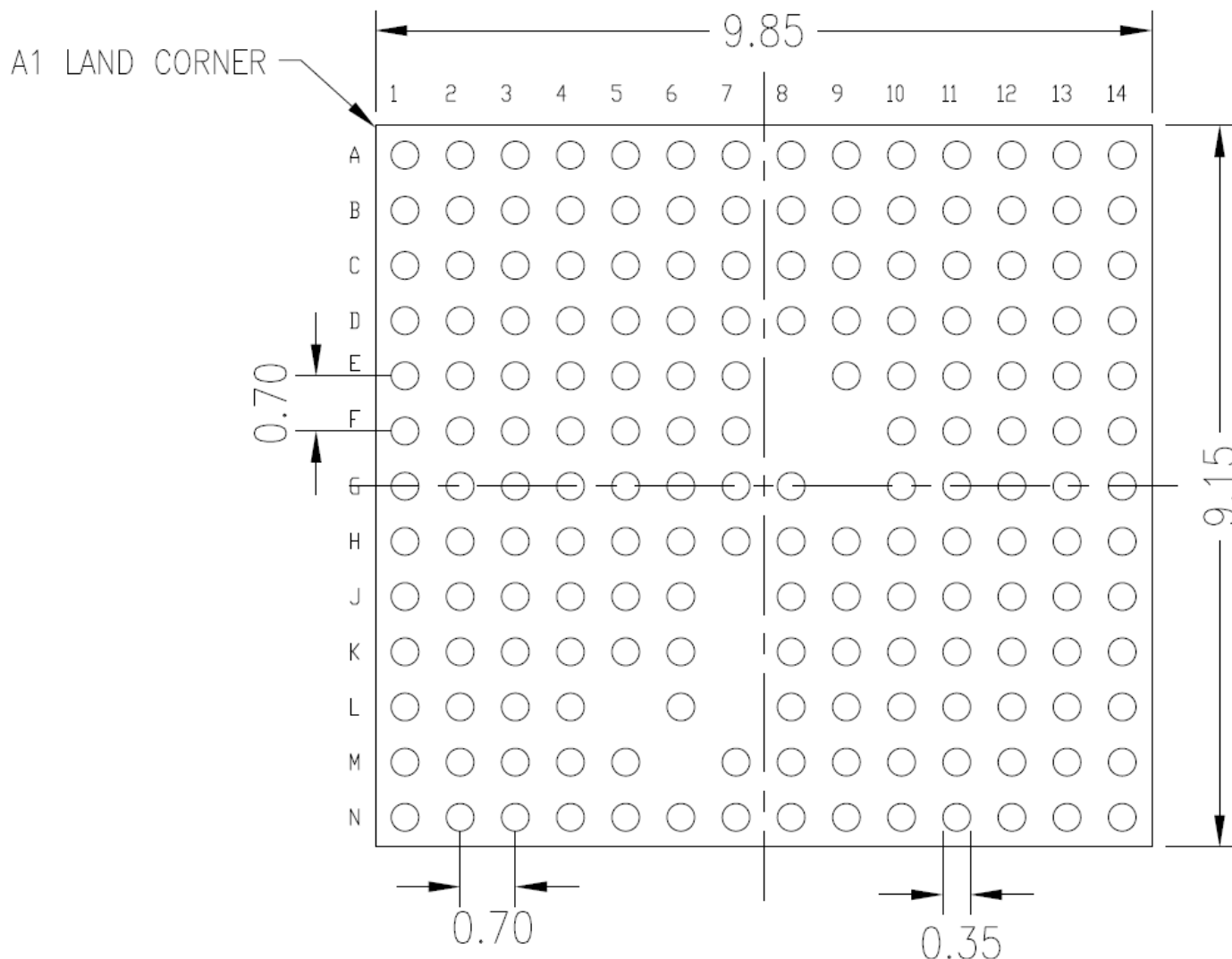


Figure 23. PCB Landing Pattern

7.4.1 Packing Information of Modules with Package Codes CC0

The modules are packaged and shipped in Trays. Each tray for the CC0 package can accommodate 168 modules. The mechanical details of the tray for the CC0 package are given in the figure below.

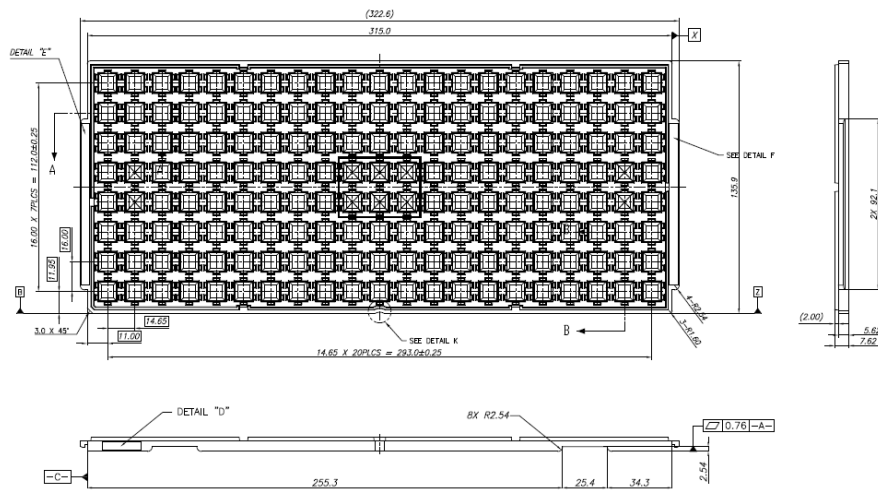


Figure 24. Packing Information of Modules with Package Codes CC0

8 RS9116 CC0 Module Certification and Ordering Information

8.1 Certification Information

This section will outline the regulatory certification information for the RS9116 modules for the countries listed below. This information will be updated when available.

1. United States
2. Canada
3. Europe
4. Japan
5. Other Regulatory Jurisdictions

The RS9116 Dual band CC0 module from Silicon Labs has undergone modular certification for FCC, IC and CE/ETSI . Note that any changes to the module's configuration including (but not limited to) the programming values of the RF Transceiver and Baseband can cause the performance to change beyond the scope of the certification. These changes, if made, may result in the module having to be certified afresh. The table below lists the details of the regulatory certifications. The certification for geographies not listed in the table is in progress.

8.2 Compliance and Certification

M7DB6 and M7DB7 modules are FCC/IC/CE certified. This section outlines the regulatory information for the M7DB6/M7DB7 modules. This allows integrating the modules in an end product without the need to obtain subsequent and separate approvals from these regulatory agencies. This is valid in the case no other intentional or un-intentional radiator components are incorporated into the product and no change in the module circuitry. Without these certifications, an end product cannot be marketed in the relevant regions.

- RF Testing Software is provided for any end product certification requirements.

8.2.1 Federal Communication Commission Statement

Any changes or modifications not expressly approved by the party responsible for compliance could void your authority to operate the equipment.

Note

This equipment has been tested and found to comply with the limits for a Class B digital device, pursuant to part 15 of the FCC Rules. These limits are designed to provide reasonable protection against harmful interference in a residential installation.

This equipment generates, uses and can radiate radio frequency energy and, if not installed and used in accordance with the instructions, may cause harmful interference to radio communications. However, there is no guarantee that interference will not occur in a particular installation.

If this equipment does cause harmful interference to radio or television reception, which can be determined by turning the equipment off and on, the user is encouraged to try to correct the interference by one or more of the following measures:

- Reorient or relocate the receiving antenna.
- Increase the separation between the equipment and receiver.
- Connect the equipment into an outlet on a circuit different from that to which the receiver is connected.
- Consult the dealer or an experienced radio/TV technician for help.

8.2.1.1 RF Exposure Statements

1. This Transmitter must not be co-located or operating in conjunction with any other antenna or transmitter.

2. This equipment complies with FCC RF radiation exposure limits set forth for an uncontrolled environment. This equipment should be installed and operated with a minimum distance of 20 centimeters between the radiator and your body or nearby persons.

For a host using a certified modular with a standard fixed label, if (1) the module's FCC ID is not visible when installed in the host, or (2) if the host is marketed so that end users do not have straightforward commonly used methods for access to remove the module so that the FCC ID of the module is visible; then an additional permanent label referring to the enclosed module should be used. For M7DB6 module, "Contains Transmitter Module FCC ID: XF6-M7DB6" or "Contains FCC ID: XF6-M7DB6" must be used; for M7DB7 module, "Contains Transmitter Module FCC ID: XF6-M7DB7" or "Contains FCC ID: XF6-M7DB7" must be used. The host OEM user manual must also contain clear instructions on how end users can find and/or access the module and the FCC ID.

8.2.1.2 Labeling and User Information

This device complies with part 15 of the FCC Rules. Operation is subject to the following two conditions:

1. This device may not cause harmful interference, and
2. this device must accept any interference received, including interference that may cause undesired operation.

8.2.2 Industry Canada / ISED Statement

This product meets the applicable Innovation, Science and Economic Development Canada technical specifications. Ce produit répond aux spécifications techniques applicables à l'innovation, Science et Développement économique Canada.

8.2.2.1 Radiation Exposure Statement

This equipment complies with IC radiation exposure limits set forth for an uncontrolled environment. This equipment should be installed and operated with minimum distance 20cm between the radiator & your body.

Cet équipement est conforme aux limites d'exposition aux rayonnements IC établies pour un environnement non contrôlé. Cet équipement doit être installé et utilisé avec un minimum de 20 cm de distance entre la source de rayonnement et votre corps.

This device complies with Industry Canada license-exempt RSSs. Operation is subject to the following two conditions:

1. This device may not cause interference, and
2. This device must accept any interference, including interference that may cause undesired operation of the device.

Le présent appareil est conforme aux CNR d'Industrie Canada applicables aux appareils radio exempts de licence. L'exploitation est autorisée aux deux conditions suivantes :

1. l'appareil ne doit pas produire de brouillage;
2. l'utilisateur de l'appareil doit accepter tout brouillage radioélectrique subi, même si le brouillage est susceptible d'en compromettre le fonctionnement.

8.2.2.2 Labeling and User Information

Innovation, Science and Economic Development Canada ICES003 Compliance Label: CAN ICES-3 (B)/NMB-3(B)

The M7DB6 module has been labeled with its own IC ID number (8407A-M7DB6) and if the IC ID is not visible when the module is installed inside another device, then the outside of the finished product into which the module is installed must also display a label referring to the enclosed module. This exterior label can use following wording: For M7DB6 modules, Contains Transmitter Module IC ID: 8407A-M7DB6 or Contains IC ID: 8407A-M7DB6. For M7DB7 modules, Contains Transmitter Module IC ID: 8407A-M7DB7 or Contains IC ID: 8407A-M7DB7. User manuals for license-exempt radio apparatus shall contain the above mentioned statement or equivalent notice in a conspicuous location in the user manual or alternatively on the device or both.

Warning:

1. The device for operation in the band 5150–5250 MHz is only for indoor use to reduce the potential for harmful interference to co-channel mobile satellite systems;
2. For devices with detachable antenna(s), the maximum antenna gain permitted for devices in the bands 5250-5350 MHz and 5470-5725 MHz shall be such that the equipment still complies with the e.i.r.p. limit;

- For devices with detachable antenna(s), the maximum antenna gain permitted for devices in the band 5725-5850 MHz shall be such that the equipment still complies with the e.i.r.p. limits specified for point-to-point and non-point-to-point operation as appropriate; and

The high-power radars are allocated as primary users (i.e. priority users) of the bands 5250-5350 MHz and 5650-5850 MHz and that these radars could cause interference and/or damage to LE-LAN devices.

DFS (Dynamic Frequency Selection) products that operate in the bands 5250- 5350 MHz, 5470-5600MHz, and 5650-5725MHz.

This device is not capable of transmitting in the band 5600-5650 MHz in Canada.

Avertissement:

- Le dispositif fonctionnant dans la bande 5150-5250 MHz est réservé uniquement pour une utilisation à l'intérieur afin de réduire les risques de brouillage préjudiciable aux systèmes de satellites mobiles utilisant les mêmes canaux;
- Le gain maximal d'antenne permis pour les dispositifs avec antenne(s) amovible(s) utilisant les bandes 5250-5350 MHz et 5470-5725 MHz doit se conformer à la limitation P.I.R.E.;
- Le gain maximal d'antenne permis pour les dispositifs avec antenne(s) amovible(s) utilisant la bande 5725-5850 MHz doit se conformer à la limitation P.I.R.E. spécifiée pour l'exploitation point à point et non point à point, selon le cas.

En outre, les utilisateurs devraient aussi être avisés que les utilisateurs de radars de haute puissance sont désignés utilisateurs principaux (c.-à-d., qu'ils ont la priorité) pour les bandes 5250-5350 MHz et 5650-5850 MHz et que ces radars pourraient causer du brouillage et/ou des dommages aux dispositifs LAN-EL.

Les produits utilisant la technique d'atténuation DFS (sélection dynamique des fréquences) sur les bandes 5250-5350 MHz, 5470-5600MHz et 5650-5725MHz.

Cet appareil ne peut pas émettre dans la bande 5600-5650 MHz au Canada.

8.2.3 CE

M7DB6 is in conformity with the essential requirements and other relevant requirements of the R&TTE Directive (1999/5/EC). The product is conformity with the following standards and/or normative documents.

- EMC (immunity only) EN 301 489-17 V.2.2.1 in accordance with EN 301 489-1 V1.9.2
- Radiated emissions EN 300 328 V1.9.1
- Safety standards: EN 60950-1:2006 + A11:2009 + A1:2010 + A12:2011 + A2:2013

8.2.4 TELEC

Telefication, operating as Conformity Assessment Body (CAB ID Number:201) with respect to Japan, declares that the M7DB6 complies with Technical Regulations Conformity Certification of specified Radio equipment (ordinance of MPT N° 37,1981)

- The validity of this Certificate is limited to products, which are equal to the one examined in the type-examination
- when the manufacturer (or holder of this certificate) is placing the product on the Japanese market, the product must affixed with the following Specified Radio Equipment marking R201-190292

8.2.5 Qualified Antenna Types

This device has been designed to operate with the antennas listed below. Antennas not included in this list or having a gain greater than listed gains in each region are strictly prohibited for use with this device. The required antenna impedance is 50 ohms.

Any antenna that is of the same type and of equal or less directional gain can be used without a need for retesting. To reduce potential radio interference to other users, the antenna type and its gain should be so chosen that the equivalent isotropically radiated power (e.i.r.p.) is not more than that permitted for successful communication. Using an antenna of a different type or gain more than certified gain will require additional testing.

8.2.5.1 M7DB6

Brand	Antenna Model	Antenna Type	Gain		Qualified Region
			2.4 GHz	5 GHz	
Taoglas	GW.71.5153	Dipole Antenna	3.8 dBi (Bent)	5.5 dBi (Bent)	FCC/IC, TELEC
			3.3 dBi (Straight)	4.9 dBi (Straight)	

Table 41 Qualified Antenna List for M7DB6

8.2.5.2 M7DB7

Brand	Antenna Model	Antenna Type	Gain		Qualified Region
			2.4 GHz	5 GHz	
Taoglas	GW.71.5153	Dipole Antenna	3.8 dBi (Bent)	5.5 dBi (Bent)	FCC/IC, TELEC
			3.3 dBi (Straight)	4.9 dBi (Straight)	
Smarteq	4211613980	PIFA	0 dBi	2.0 dBi	FCC/IC, TELEC
Inside WLAN	PRO-IS-299	Dipole	2.5 dBi	1.6 dBi	FCC/IC, TELEC
Joinsoon Electronics Mfg. Co., Ltd	MARS-31A8 WiFi Antenna	PIFA	2.0 dBi	2.0 dBi	FCC/IC, TELEC

Table 42. Qualified Antenna List for M7DB7

Note

If certification with PCB Trace Antenna is required, please use the CC1 module, which is certified with PCB Trace Antenna.

8.2.6 Module Marking Information

The figure and table below illustrates the marking on the Dual band module, and explains the marking on the module

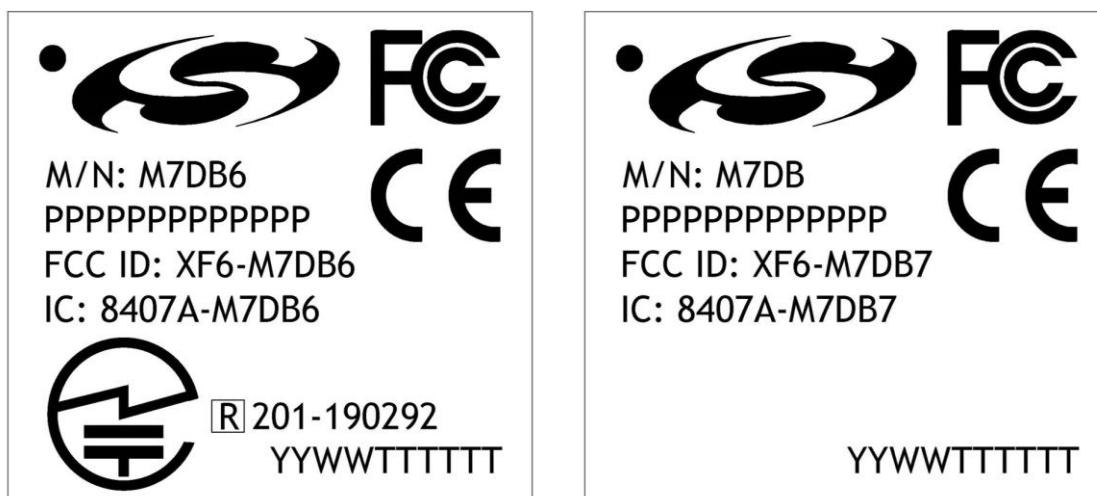





Figure 25. Module Marking Information

Marking		Description
Model	M7DB6 M7DB7	Model Number for Dual-band modules
Part Number	PPPPPPPPPPPP	Part Number Designation – refer to the Part Ordering Section for more details.
FCC	XF6-M7DB6 XF6-M7DB7	FCC Grant ID for Dual-band modules.
IC	8407A-M7DB6 8407A-M7DB7	IC Grant ID for Dual-band modules.
Lot Code Information	YYWWTTTTTT	YY – Year of assembly WW – 2 digit work week when device was assembled TTTTTT – Trace or manufacturing code. The first letter is the device revision.
Compliance Marks		FCC Compliance Mark
		CE Compliance Mark
		TELEC Compliance Mark

8.3 Module Package

Package Code	Package Type, Pins	Dimensions (mm)	Frequency Band	Integrated Antenna
CC0	SIP, LGA (173)	9.1 x 9.8 x 1.6	Dual Band (2.4 GHz / 5 GHz)	No

Table 43. CC0 Module Package

8.4 Ordering Information

Part Number	Wireless
Hosted Connectivity (n-Link)	
RS9116N-DB00-CC0-X00	DBW+BT5; Rev 1.3 Silicon
RS9116N-DB00-CC0-B00	DBW+BT5; Rev 1.4 Silicon
Embedded Connectivity (WiSeConnect)	
RS9116W-DB00-CC0-X24	DBW+BT5; Rev 1.3 Silicon; Firmware Version: 1.2.24
RS9116W-DB00-CC0-B24	DBW+BT5; Rev 1.4 Silicon; Firmware Version: 1.2.24
RS9116W-DB00-CC0-B2A	DBW+BT5; Rev 1.4 Silicon; Firmware Version: 2.0

Table 44. Part Ordering Options

Note: DBW: Dual Band Wi-Fi (2.4/5 GHz)

8.4.1 Device Nomenclature

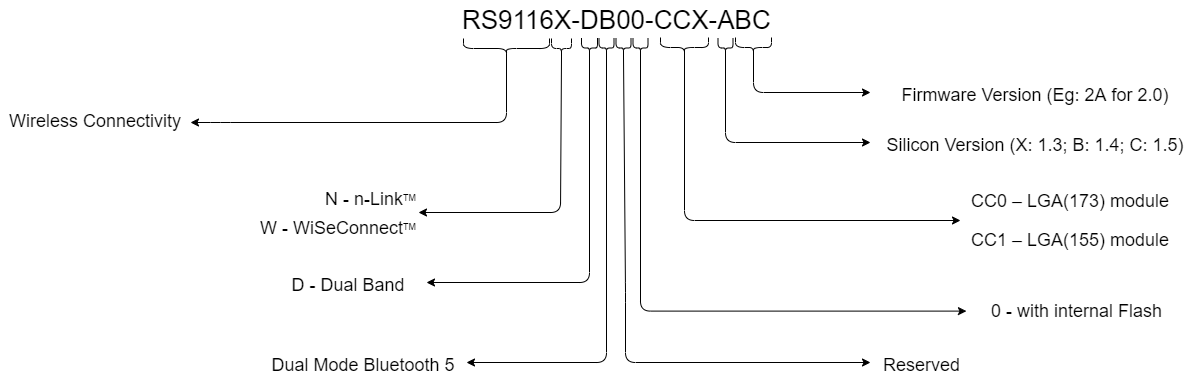


Figure 26. Device Nomenclature

9 RS9116 CC0 Module Documentation and Support

Silicon Labs offers a set of documents which provide further information required for evaluating, and developing products and applications using RS9116. These documents are available in [RS9116 Document Library](#) on the Silicon Labs website. The documents include information related to Software releases, Evaluation Kits, User Guides, Programming Reference Manuals, Application Notes, and others.

For further assistance, you can contact Silicon Labs Technical Support [here](#).

9.1 Resource Location

RS9116 Document Library : <https://docs.silabs.com/rs9116/>

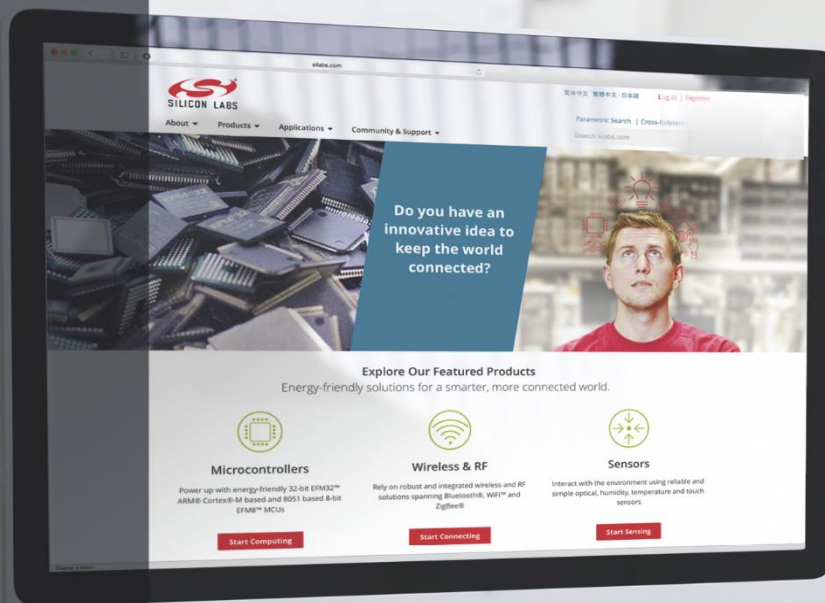
Technical Support : <http://www.silabs.com/support/>

10 RS9116 CC0 Module Revision History

Revision No.	Version No.	Date	Changes
1	1.0	April, 2019	Initial version
2	1.0.1	May, 2019	<ul style="list-style-type: none"> Updated host based schematics. Combined SDIO, SPI & UART host interfaces into one schematic. Combined USB and USB-CDC host interfaces into one schematic Updated 32 KHz external oscillator specifications Updated antenna layout recommendations for single band antenna Updated the Schematics for UART_RTS and UART_CTS Pin correction.
3	1.0.2	May, 2019	<p>Removed AVDD_1P3 from the Reference schematics, Pinout Diagram, Moved the pin from Power section to NC list.</p> <p>Removed 32KHz XTAL Pins and used UULP GPIO for feeding in the External Clock. Updated the below sections for the same</p> <ul style="list-style-type: none"> Pinout Description. Specifications Reference Schematics
4	1.0.3	July, 2019	<ul style="list-style-type: none"> Corrected the description of 32KHz external clock in Specifications section Added external control for POC_IN in Specifications Added host detection details and updated network processor memory details in Detailed description. Renamed LP_WAKEUP to LP_WAKEUP_IN and changed its description in Pinout section Removed PLL_AVDD from Recommended Operating conditions section Corrected the initial state of SDIO_D3 to pullup and SDIO_D2 to HighZ.
5	1.0.4	November, 2019	Bluetooth ACI specs corrected (earlier version shows under Typ - should have been under "Min")
6	1.0.5	July, 2020	<ul style="list-style-type: none"> Added Qualified Antenna list for TELEC certification Added WLAN 5 GHz Receiver Characteristics (for Dual Band WiFi modules) Updated Applications Section. Updated 40 MHz Clock specifications. Updated LED0 software configuration note for ULP_GPIO_8 under Pin Description. Mentioned need for weak pull up resistor under Pin Description to use Wake-on-Wireless feature on ULP_GPIO_6. Updated "Digital Input Output Signals" to separate readings at 3.3V and 1.8V.

Revision No.	Version No.	Date	Changes
			<ul style="list-style-type: none"> • Included TELEC certification details and updated Module Marking Information. • Updated Wireless Co-Existence modes in Features list. • The number of center roles supported by BLE changed from 8 to 6. • Added a note under Pin Description regarding functionalities that are available on multiple Pins, and their proper usage. Eg. SLEEP_IND_FROM_DEV • Updated Generic PCB Layout Guidelines. • Updated Power Sequence Diagrams under DC Characteristics for POC_IN and POC_OUT. • Features list updated. • Reflow profile diagram updated. • Updated Typical values for BLE ACI characteristics. • Updated GPIO pin descriptions.
7	1.0.6	August, 2020	<ul style="list-style-type: none"> • Updated datasheet to reflect data specific to CC0. • Updated Features List, removed redundant information. • Updated Applications, and Software Architecture Diagrams. • Updated pin descriptions - ULP_GPIO_0 and ULP_GPIO_6. • Updated Software section with latest information. • Rebranded to Silicon Labs.
8	1.0.7	September, 2020	<ul style="list-style-type: none"> • Updated Device Information with new nomenclature to include Silicon revision, and firmware version. • Updated schematics to include the new nomenclature. • SoC Ordering information updated with new OPNs; Device Nomenclature diagram updated.
9	1.0.8	December, 2020	<ul style="list-style-type: none"> • Updated 2.4 GHz TX numbers using new gain tables. • Band separation and updated values provided for TX and RX for 5 GHz RF characteristics. • Updated Feature Set for Embedded Mode. • Included DTIM 1 & 3 values at 5 GHz. • Included qualified antenna types for M7DB7 module. • Updated Module Marking Info to include M7DB7 and Silicon Labs logo. • Updated Layout Guidelines for Chip Antenna. • Updated Device Nomenclature.

Table 45. Revision History



Smart.
Connected.
Energy-Friendly



Products
www.silabs.com/products



Quality
www.silabs.com/quality



Support and Community
community.silabs.com

Disclaimer

Silicon Laboratories intends to provide customers with the latest, accurate, and in-depth documentation of all peripherals and modules available for system and software implementers using or intending to use the Silicon Laboratories products. Characterization data, available modules and peripherals, memory sizes and memory addresses refer to each specific device, and "Typical" parameters provided can and do vary in different applications. Application examples described herein are for illustrative purposes only. Silicon Laboratories reserves the right to make changes without further notice and limitation to product information, specifications, and descriptions herein, and does not give warranties as to the accuracy or completeness of the included information. Silicon Laboratories shall have no liability for the consequences of use of the information supplied herein. This document does not imply or express copyright licenses granted hereunder to design or fabricate any integrated circuits. The products must not be used within any Life Support System without the specific written consent of Silicon Laboratories. A "Life Support System" is any product or system intended to support or sustain life and/or health, which, if it fails, can be reasonably expected to result in significant personal injury or death. Silicon Laboratories products are generally not intended for military applications. Silicon Laboratories products shall under no circumstances be used in weapons of mass destruction including (but not limited to) nuclear, biological or chemical weapons, or missiles capable of delivering such weapons.

Trademark Information

Silicon Laboratories Inc., Silicon Laboratories, Silicon Labs, SiLabs and the Silicon Labs logo, CMEMS®, EFM, EFM32, EFR, Energy Micro, Energy Micro logo and combinations thereof, "the world's most energy friendly microcontrollers", Ember®, EZLink®, EZMac®, EZRadio®, EZRadioPRO®, DSPLL®, ISOModem®, Precision32®, ProSLIC®, SiPHY®, USBXpress® and others are trademarks or registered trademarks of Silicon Laboratories Inc. ARM, CORTEX, Cortex-M3 and THUMB are trademarks or registered trademarks of ARM Holdings. Keil is a registered trademark of ARM Limited. All other products or brand names mentioned herein are trademarks of their respective holders.



Silicon Laboratories Inc.
400 West Cesar Chavez
Austin, TX 78701

<http://www.silabs.com>

X-ON Electronics

Largest Supplier of Electrical and Electronic Components

Click to view similar products for [WiFi Modules - 802.11 category](#):

Click to view products by [Silicon Labs manufacturer](#):

Other Similar products are found below :

[KBPC10/15/2506WP](#) [WIFI-RT5392-SB-R10](#) [SX-PCEAN2C-SP](#) [849WM520100E](#) [WIFI-AT2350](#) [7265.NGWG.SW](#) [HDG204-DN-3](#) [FXX-3061-MIX](#) [EMIO-1533-00A2](#) [7265.NGWWB.W](#) [PPC-WL-KIT02-R11](#) [RC-CC2640-B](#) [HLK-7688A](#) [E70-433T14S](#) [WH-NB73-BA](#) [NF-02-PA](#) [EAR00364](#) [ATSAMW25H18-MR210PB1961](#) [3168.NGWG](#) [MY-WF003U](#) [AX210.NGWG.NV](#) [ESP-15F32Mbit](#) [ESP32-S32Mb](#) [TG-01M](#) [ESP-13](#) [ESP-01F-2M](#) [ESP-01E-2M](#) [ESP-12S-8285-2M](#) [ESP-20](#) [ESP32-SL](#) [ESP-12K-PSRAM](#) [ESP-12K](#) [ESP-12K-PSRAM-IPEX](#) [ESP-12H](#) [BW18](#) [BW12-16Mb](#) [BW14](#) [BW15](#) [BW16](#) [TG-12F](#) [SIM7600CE-L1S](#) [CB3S\(tjrl\)](#) [CB3S\(hvk9\)](#) [CB3S\(qh6\)](#) [WB2S\(csyd\)](#) [WB3S\(ppty\)](#) [WB3S\(h238\)](#) [WB3S\(uvmz\)](#) [1005869](#) [1012](#)