

### Description

The Si474x receiver family applies 100% RF CMOS technology to bring digital low-IF radio technology to the automotive receiver market. The Si474x receiver family builds on Silicon Laboratories' highly successful broadcast audio radio products, offering design simplicity, unmatched integration, programmability, and automotive quality and reliability.

The Si474x receiver family supports world-wide FM bands from 64–108 MHz and AM bands from 520–1710 kHz. The Si474x supports AM/FM, weather band, shortwave, and longwave radio bands. All odd-numbered part numbers in the family support international RDS/RBDS protocols.

The Si474x family leverages Silicon Laboratories' patented digital architecture, delivering superior RF performance and interference rejection. The proven digital radio technology provides excellent sensitivity in weak signal environments, and superb selectivity and inter-modulation immunity in strong signal environments.

The solution offers programmable AM/FM channel spacing and filters, auto-calibrated digital tuning, and proven AM/FM seek functionality based on multiple signal quality and band parameters. The family offers highly flexible and advanced audio features such as noise blanking, programmable soft mute, and multi-path detection and mitigation.

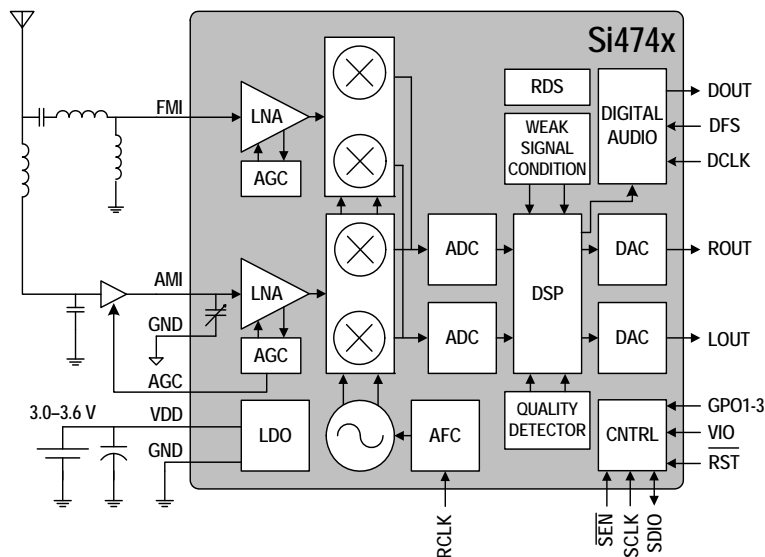
The Si474x receiver system has a minimal bill of materials requiring a small amount of board space. The high level of integration provides a complete, tested broadcast audio receiver that is ideal for primary automotive radio receivers.

### Features

- Worldwide FM band support (64–108 MHz)
- Worldwide AM band support (520–1710 kHz)
- Shortwave, longwave support (Si4742/43/44/45 only)
- Weather band support (Si4742/43 only)
- Received signal quality indicators (RSSI, SNR, adjacent channel, wideband AM)
- Multipath detection/mitigation
- AM and FM noise blankers (Si4742/43/44/45 only)
- AM and FM programmable seek tuning
- AM and FM programmable soft mute control
- AM and FM adjustable channel bandwidth filters
- FM stereo-mono blending
- FM Hi-Cut control (Si4742/43/44/45 only)
- Digital FM stereo decoder
- RDS/RBDS processor (Si4741/43/45 only)
- Automatic frequency control (AFC)
- Automatic gain control (AGC)
- Image rejection mixer
- Frequency synthesizer with integrated VCO
- Low-IF direct conversion with no ceramic filters
- Analog or digital (I<sup>2</sup>S) outputs
- 3.0 to 3.6 V supply voltage
- Programmable reference clock
- AECQ-100 certified
  - –40 to 85 °C operation
- 24-pin 4 x 4 mm QFN package
  - Pb-free/RoHS compliant

### Applications

- OEM automotive radio systems
- After-market automotive radio systems
- Automotive radio modules



### Selected Electrical Specifications<sup>1</sup>

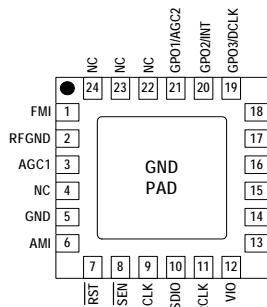
( $V_{DD} = 2.7$  to  $5.5$  V,  $V_{IO} = 1.5$  to  $3.6$  V,  $T_A = -40$  to  $85$  °C)

Parameter	Test Condition	Min	Typ	Max	Unit
<b>FM</b>					
Input Frequency		64	—	108	MHz
Sensitivity	(S+N)/N = 26 dB	—	2	—	μV EMF
RDS Sensitivity	$\Delta f = 2$ kHz, RDS BLER < 5%	—	8	—	μV EMF
Audio S/N (Mono) <sup>2,3</sup>	$f_{MOD} = 1$ kHz, $\Delta f = 22.5$ kHz, $V_{EMF} = 60$ dBμV <sub>EMF</sub>	—	63	—	dB
Audio THD (Mono) <sup>2,3</sup>	$f_{MOD} = 1$ kHz, $\Delta f = 75$ kHz, $V_{EMF} = 60$ dBμV <sub>EMF</sub>	—	0.1	—	%
Input IP3	$f_1 = 4000$ kHz; $f_2 = 8000$ kHz	—	105	—	dBμV EMF
Audio Output Voltage		—	80	—	mVrms
Adjacent Channel Selectivity	±200 kHz	—	50	—	dB
Alternate Channel Selectivity	±400 kHz	—	70	—	dB
AM Suppression <sup>4</sup>	$m = 0.3$ ; $\Delta f = 22.5$ kHz; $f_{RF} = 76$ to $108$ MHz; Measured at $V_{EMF} = 60$ dBμV <sub>EMF</sub>	—	55	—	dB
Audio Stereo Separation <sup>4</sup>	$f_{RF} = 76$ to $108$ MHz; Measured at $V_{EMF} = 60$ dBμV <sub>EMF</sub> ; $\Delta f = 75$ kHz	—	45	—	dB
Supply Voltage <sup>5</sup>		3	—	3.6	V
Supply Current <sup>5</sup>		—	26	—	mA
<b>AM</b>					
Input Frequency		520	—	1710	kHz
Sensitivity	(S+N)/N = 26 dB	—	28	—	μV EMF
Audio S/N <sup>4,6</sup>	30% modulation, $f_{MOD} = 1$ kHz, RF level = 74 dBμV EMF; $\Delta f = 22.5$ kHz	—	53	—	dB
Audio THD <sup>4,6</sup>	30% modulation, $f_{MOD} = 1$ kHz, RF level = 74 dBμV EMF; $\Delta f = 22.5$ kHz	—	0.3	—	%
Input IP3 <sup>7</sup>	$f_1 = 40$ kHz; $f_2 = 80$ kHz	—	112	—	dBμV
Audio Output Voltage <sup>4</sup>		54	60	66	mVrms
Adjacent Channel Selectivity	±10 kHz	—	40	—	dB
Alternate Channel Selectivity	±20 kHz	—	60	—	dB

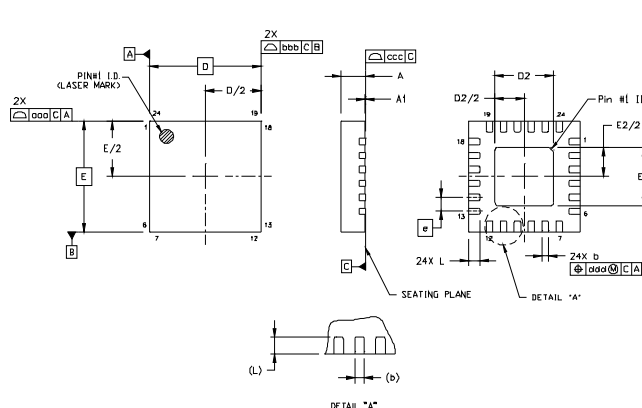
#### Notes:

- Specifications refer to Si474x application circuit input.
- $B_{AF} = 300$  Hz to 15 kHz.
- $f_{RF} = 76$  to 108 MHz.
- $F_{MOD} = 1$  kHz, 75 μs de-emphasis, MONO = enabled, and L = R unless noted otherwise.
- Applies to both FM and AM modes.
- AGC is disabled.
- Specification refers to Si474x input.

### Pin Assignments



### 4 x 4 x 0.85 mm 24-pin QFN Package Information



Symbol	Millimeters		
	Min	Nom	Max
A	0.80	0.85	0.90
A1	0.00	0.02	0.05
b	0.18	0.25	0.30
D	4.00 BSC		
D2	2.00	2.10	2.20
e	0.50 BSC		
E	4.00 BSC		
E2	2.00	2.10	2.20
L	0.30	0.40	0.50
aaa	—	—	0.10
bbb	—	—	0.10
ccc	—	—	0.08
ddd	—	—	0.10
eee	—	—	0.10



Smart.  
Connected.  
Energy-Friendly



**Products**  
[www.silabs.com/products](http://www.silabs.com/products)



**Quality**  
[www.silabs.com/quality](http://www.silabs.com/quality)



**Support and Community**  
[community.silabs.com](http://community.silabs.com)

#### Disclaimer

Silicon Laboratories intends to provide customers with the latest, accurate, and in-depth documentation of all peripherals and modules available for system and software implementers using or intending to use the Silicon Laboratories products. Characterization data, available modules and peripherals, memory sizes and memory addresses refer to each specific device, and "Typical" parameters provided can and do vary in different applications. Application examples described herein are for illustrative purposes only. Silicon Laboratories reserves the right to make changes without further notice and limitation to product information, specifications, and descriptions herein, and does not give warranties as to the accuracy or completeness of the included information. Silicon Laboratories shall have no liability for the consequences of use of the information supplied herein. This document does not imply or express copyright licenses granted hereunder to design or fabricate any integrated circuits. The products must not be used within any Life Support System without the specific written consent of Silicon Laboratories. A "Life Support System" is any product or system intended to support or sustain life and/or health, which, if it fails, can be reasonably expected to result in significant personal injury or death. Silicon Laboratories products are generally not intended for military applications. Silicon Laboratories products shall under no circumstances be used in weapons of mass destruction including (but not limited to) nuclear, biological or chemical weapons, or missiles capable of delivering such weapons.

#### Trademark Information

Silicon Laboratories Inc., Silicon Laboratories, Silicon Labs, SiLabs and the Silicon Labs logo, CMEMS®, EFM, EFM32, EFR, Energy Micro, Energy Micro logo and combinations thereof, "the world's most energy friendly microcontrollers", Ember®, EZLink®, EZMac®, EZRadio®, EZRadioPRO®, DSPLL®, ISOmodem®, Precision32®, ProSLIC®, SiPHY®, USBXpress® and others are trademarks or registered trademarks of Silicon Laboratories Inc. ARM, CORTEX, Cortex-M3 and THUMB are trademarks or registered trademarks of ARM Holdings. Keil is a registered trademark of ARM Limited. All other products or brand names mentioned herein are trademarks of their respective holders.



Silicon Laboratories Inc.  
400 West Cesar Chavez  
Austin, TX 78701  
USA

<http://www.silabs.com>

## X-ON Electronics

Largest Supplier of Electrical and Electronic Components

*Click to view similar products for [silicon labs](#) manufacturer:*

Other Similar products are found below :

[EZR32HG220F32R67G-B0](#) [FRONTPANEL2EK](#) [AMS001-E01](#) [C8051F040DK](#) [C8051F226DK](#) [C8051F346-GQ](#) [C8051F38C-GQ](#)  
[C8051F560DK](#) [C8051F714-GQ](#) [C8051F912-TB](#) [C8051F921-G-GM](#) [C8051T321DB28](#) [C8051T327DB28](#) [Si50X-FPB1-CUST](#) [SI51211-EVB](#)  
[SI53159-EVB](#) [SI5325/26-EVB](#) [SI5345-D-EVB](#) [Si7013EVB-UDP-M3L1](#) [SI826XSOIC8-KIT](#) [SI8420AB-D-IS](#) [Si8442AB-D-IS1](#) [Si8620EC-](#)  
[B-IS](#) [SI88244ED-IS](#) [SI8920ISO-KIT](#) [SiM3C1xx-B-DK](#) [SiM3U1xx-B-DK](#) [SIM3U1XX-B-EDK](#) [SLWRB4250A](#) [SLWRB4301A](#)  
[SLWRB4503B](#) [SLWSTK6222A](#) [SLWSTK6223A](#) [SLWSTK6224A](#) [SLWSTK6240A](#) [SLWSTK6241A](#) [AMW004-E03](#) [CP2103-GM](#) [CP2110-](#)  
[F01-GMR](#) [CP2130EK](#) [4010-AESK1W-315](#) [4455C-868-PDK](#) [4463CPCE27F868](#) [TOOLSTICK360DC](#) [TOOLSTICK502MPP](#)  
[ToolStick560DC](#) [TOOLSTICK990MPP](#) [515CAA000256AAG](#) [C8051F064EK](#) [C8051F340-TB](#)