

## PIN-PROGRAMMABLE PRECISION CLOCK MULTIPLIER

### Features

- Not recommended for new designs. For alternatives, see the Si533x family of products.
- Selectable output frequencies ranging from 19.44 to 1050 MHz
- Low jitter clock outputs with jitter generation as low as 0.6 pS<sub>RMS</sub> (50 kHz–80 MHz)
- Integrated loop filter with selectable loop bandwidth (150 kHz to 1.3 MHz)
- Dual clock inputs with manual or automatically controlled switching
- Dual clock outputs with selectable signal format: LVPECL, LVDS, CML, CMOS
- Support for ITU G.709 FEC ratios (255/238, 255/237, 255/236)
- LOS alarm output
- Pin-programmable settings
- On-chip voltage regulator for 1.8 V ±5%, 2.5 or 3.3 V ±10% operation
- Small size: 6 x 6 mm 36-lead QFN
- Pb-free, RoHS compliant

### Applications

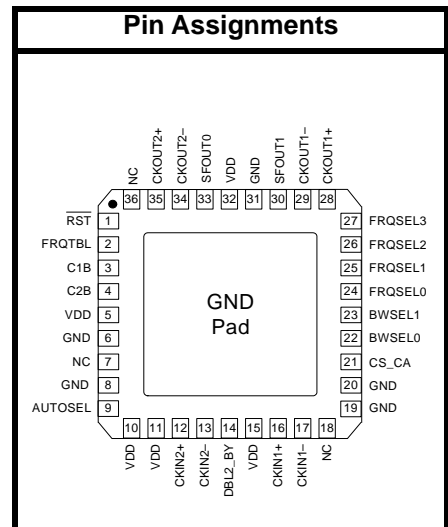
- SONET/SDH OC-48/STM-16 and OC-192/STM-64 line cards
- GbE/10GbE, 1/2/4/8/10GFC line cards
- ITU G.709 line cards
- Optical modules
- Test and measurement cards

### Description

The Si5322 is a low jitter, precision clock multiplier for high-speed communication systems, including SONET OC-48/OC-192, Ethernet, and Fibre Channel. The Si5322 accepts dual clock inputs ranging from 19.44 to 707 MHz and generates two equal frequency-multiplied clock outputs ranging from 19.44 to 1050 MHz. The input clock frequency and clock multiplication ratio are selectable from a table of popular SONET, Ethernet, and Fibre Channel rates.

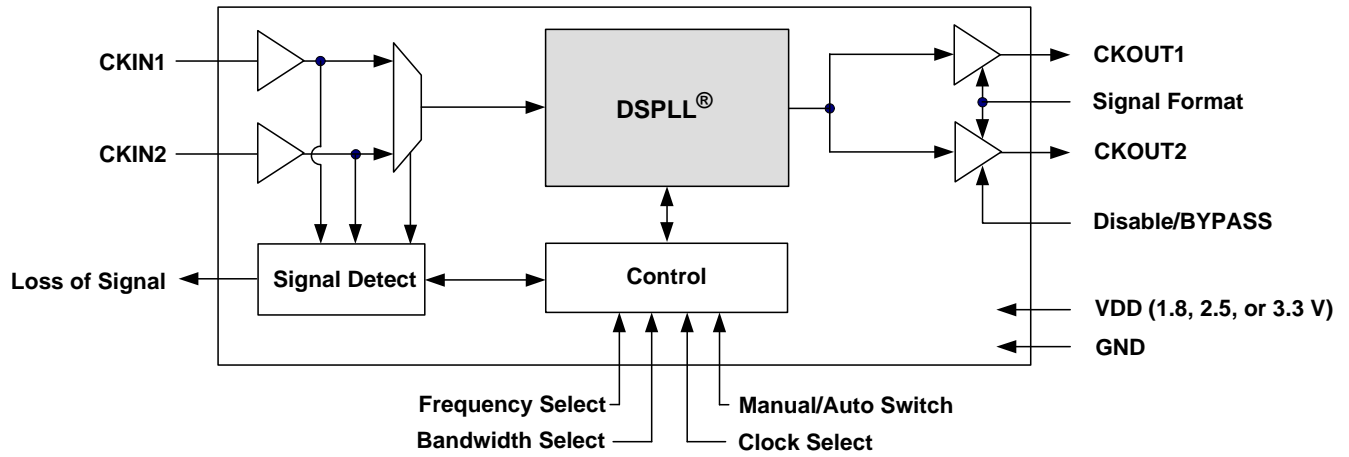
The Si5322 is based on Skyworks Solutions' 3rd-generation DSPLL<sup>®</sup> technology, which provides any-frequency synthesis in a highly-integrated PLL solution that eliminates the need for external VCXO and loop filter components. The DSPLL loop bandwidth is digitally programmable, providing jitter performance optimization at the application level.

Operating from a single 1.8, 2.5, or 3.3 V supply, the Si5322 is ideal for providing clock multiplication in high performance timing applications.



# Si5322

## Functional Block Diagram



---

**TABLE OF CONTENTS**

---

| <b>Section</b>  | <b>Page</b> |
|---|-------------|
| <b>1. Electrical Specifications</b> .....                           | <b>4</b>    |
| 1.1. Three-Level (3L) Input Pins (No External Resistors) .....      | 9           |
| 1.2. Three-Level Input Pins (Example with External Resistors) ..... | 9           |
| <b>2. Functional Description</b> .....                              | <b>13</b>   |
| 2.1. Further Documentation .....                                    | 13          |
| <b>3. Pin Descriptions: Si5322</b> .....                            | <b>14</b>   |
| <b>4. Ordering Guide</b> .....                                      | <b>18</b>   |
| <b>5. Package Outline: 36-Pin QFN</b> .....                         | <b>19</b>   |
| <b>6. Land Pattern: 36-Pin QFN</b> .....                            | <b>20</b>   |
| <b>7. Top Marking</b> .....   | <b>22</b>   |
| 7.1. Si5322 Top Marking (QFN) .....                                 | 22          |
| 7.2. Top Marking Explanation .....                                  | 22          |
| <b>Document Change List</b> .....                                   | <b>23</b>   |
| <b>Contact Information</b> .....                                    | <b>24</b>   |

## 1. Electrical Specifications

**Table 1. Recommended Operating Conditions**
 $(V_{DD} = 1.8 \pm 5\%, 2.5 \pm 10\%, \text{ or } 3.3 \text{ V} \pm 10\%, T_A = -40 \text{ to } 85 \text{ }^\circ\text{C})$ 

| Parameter         | Symbol   | Test Condition | Min  | Typ | Max  | Unit             |
|-------------------|----------|----------------|------|-----|------|------------------|
| Temperature Range | $T_A$    |                | -40  | 25  | 85   | $^\circ\text{C}$ |
| Supply Voltage    | $V_{DD}$ | 3.3 V nominal  | 2.97 | 3.3 | 3.63 | V                |
|                   |          | 2.5 V nominal  | 2.25 | 2.5 | 2.75 | V                |
|                   |          | 1.8 V nominal  | 1.71 | 1.8 | 1.89 | V                |

**Note:** All minimum and maximum specifications are guaranteed and apply across the recommended operating conditions. Typical values apply at nominal supply voltages and an operating temperature of 25  $^\circ\text{C}$  unless otherwise noted.

**Table 2. DC Characteristics**
 $(V_{DD} = 1.8 \pm 5\%, 2.5 \pm 10\%, \text{ or } 3.3 \text{ V} \pm 10\%, T_A = -40 \text{ to } 85 \text{ }^\circ\text{C})$ 

| Parameter  | Symbol      | Test Condition   | Min  | Typ | Max      | Unit      |
|--|-------------|--|------|-----|----------|-----------|
| Supply Current<br>(Supply current is independent of $V_{DD}$ ) | $I_{DD}$    | LVPECL Format<br>622.08 MHz Out<br>All CKOUTs Enabled <sup>1</sup>   | —    | 251 | 279      | mA        |
|  |             | LVPECL Format<br>622.08 MHz Out<br>Only 1 CKOUT Enabled <sup>1</sup> | —    | 217 | 243      | mA        |
|  |             | CMOS Format<br>19.44 MHz Out<br>All CKOUTs Enabled                   | —    | 204 | 234      | mA        |
|  |             | CMOS Format<br>19.44 MHz Out<br>Only CKOUT1 Enabled                  | —    | 194 | 220      | mA        |
| <b>CKIN Input Pins</b>   |             |  |      |     |          |           |
| Input Common Mode Voltage<br>(Input Threshold Voltage)         | $V_{ICM}$   | 1.8 V $\pm 5\%$  | 0.9  | —   | 1.4      | V         |
|  |             | 2.5 V $\pm 10\%$   | 1.0  | —   | 1.7      | V         |
|  |             | 3.3 V $\pm 10\%$   | 1.1  | —   | 1.95     | V         |
| Input Resistance   | $CKN_{RIN}$ | Single-ended   | 20   | 40  | 60       | $k\Omega$ |
| Input Voltage Level Limits                                     | $CKN_{VIN}$ | See Note <sup>2</sup>  | 0    | —   | $V_{DD}$ | V         |
| Single-Ended Input Voltage Swing                               | $V_{ISE}$   | $f_{CKIN} \leq 212.5 \text{ MHz}$<br>See Figure 2.                   | 0.2  | —   | —        | $V_{PP}$  |
|  |             | $f_{CKIN} > 212.5 \text{ MHz}$<br>See Figure 2.                      | 0.25 | —   | —        | $V_{PP}$  |

**Notes:**

- LVPECL outputs require nominal  $V_{DD} \geq 2.5 \text{ V}$ .
- No overshoot or undershoot.
- This is the amount of leakage that the 3L inputs can tolerate from an external driver. See Figure 3 on page 9. In most designs, an external resistor voltage divider is recommended.

**Table 2. DC Characteristics (Continued)** $(V_{DD} = 1.8 \pm 5\%, 2.5 \pm 10\%, \text{ or } 3.3 \text{ V} \pm 10\%, T_A = -40 \text{ to } 85 \text{ }^\circ\text{C})$ 

| Parameter   | Symbol        | Test Condition   | Min                 | Typ             | Max             | Unit      |
|---|---------------|--|---------------------|-----------------|-----------------|-----------|
| Differential Input Voltage Swing  | $V_{ID}$      | $f_{CKIN} \leq 212.5 \text{ MHz}$<br>See Figure 2.   | 0.2                 | —               | —               | $V_{PP}$  |
|   |               | $f_{CKIN} > 212.5 \text{ MHz}$<br>See Figure 2.  | 0.25                | —               | —               | $V_{PP}$  |
| <b>Output Clocks (CKOUTn)<sup>1</sup></b>   |               |  |                     |                 |                 |           |
| Common Mode   | $CKO_{VCM}$   | LVPECL 100 $\Omega$ load<br>line-to-line   | $V_{DD} - 1.42$     | —               | $V_{DD} - 1.25$ | V         |
| Differential Output Swing   | $CKO_{VD}$    | LVPECL 100 $\Omega$ load<br>line-to-line   | 1.1                 | —               | 1.9             | $V_{PP}$  |
| Single-ended Output Swing   | $CKO_{VSE}$   | LVPECL 100 $\Omega$ load<br>line-to-line   | 0.5                 | —               | 0.93            | $V_{PP}$  |
| Differential Output Voltage   | $CKO_{VD}$    | CML 100 $\Omega$ load<br>line-to-line  | 350                 | 425             | 500             | $mV_{PP}$ |
| Common Mode Output Voltage  | $CKO_{VCM}$   | CML 100 $\Omega$ load<br>line-to-line  | —                   | $V_{DD} - 0.36$ | —               | V         |
| Differential Output Voltage   | $CKO_{VD}$    | LVDS 100 $\Omega$ load<br>line-to-line   | 500                 | 700             | 900             | $mV_{PP}$ |
|   |               | Low swing LVDS 100 $\Omega$ load<br>line-to-line   | 350                 | 425             | 500             | $mV_{PP}$ |
| Common Mode Output Voltage  | $CKO_{VCM}$   | LVDS 100 $\Omega$ load<br>line-to-line   | 1.125               | 1.2             | 1.275           | V         |
| Differential Output Resistance  | $CKO_{RD}$    | CML, LVDS, LVPECL  | —                   | 200             | —               | $\Omega$  |
| Output Voltage Low  | $CKO_{VOLLH}$ | CMOS   | —                   | —               | 0.4             | V         |
| Output Voltage High   | $CKO_{VOHLH}$ | $V_{DD} = 1.71 \text{ V}$<br>CMOS  | $0.8 \times V_{DD}$ | —               | —               | V         |
| Output Drive Current  | $CKO_{IO}$    | CMOS<br>Driving into $CKO_{VOL}$ for output low or $CKO_{VOH}$ for output high. CKOUT+ and CKOUT–shorted externally. |                     |                 |                 |           |
|   |               | $V_{DD} = 1.8 \text{ V}$   | —                   | 7.5             | —               | mA        |
|   |               | $V_{DD} = 3.3 \text{ V}$   | —                   | 32              | —               | mA        |
| <b>Notes:</b>   |               |  |                     |                 |                 |           |
| 1. LVPECL outputs require nominal $V_{DD} \geq 2.5 \text{ V}$ .   |               |  |                     |                 |                 |           |
| 2. No overshoot or undershoot.  |               |  |                     |                 |                 |           |
| 3. This is the amount of leakage that the 3L inputs can tolerate from an external driver. See Figure 3 on page 9. In most designs, an external resistor voltage divider is recommended. |               |  |                     |                 |                 |           |

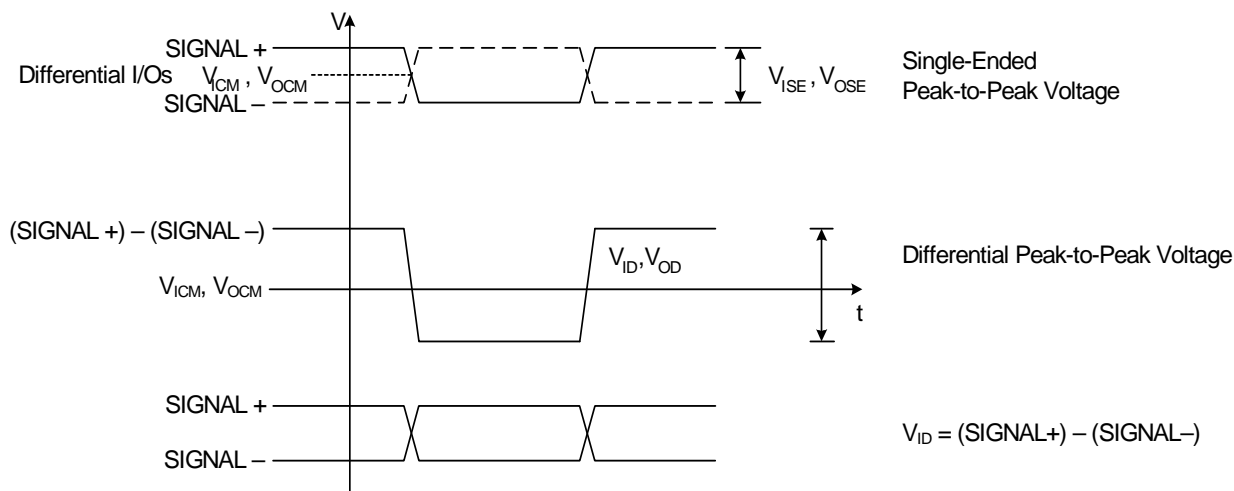
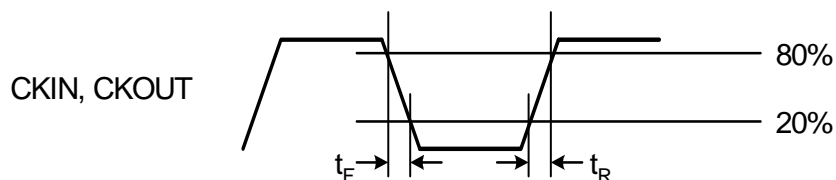
**Table 2. DC Characteristics (Continued)**

( $V_{DD} = 1.8 \pm 5\%$ ,  $2.5 \pm 10\%$ , or  $3.3 \text{ V} \pm 10\%$ ,  $T_A = -40$  to  $85 \text{ }^\circ\text{C}$ )

| Parameter  | Symbol      | Test Condition            | Min                  | Typ | Max                  | Unit             |
|--|-------------|---------------------------|----------------------|-----|----------------------|------------------|
| <b>2-Level LVCMOS Input Pins</b>   |             |                           |                      |     |                      |                  |
| Input Voltage Low  | $V_{IL}$    | $V_{DD} = 1.71 \text{ V}$ | —                    | —   | 0.5                  | V                |
|  |             | $V_{DD} = 2.25 \text{ V}$ | —                    | —   | 0.7                  | V                |
|  |             | $V_{DD} = 2.97 \text{ V}$ | —                    | —   | 0.8                  | V                |
| Input Voltage High   | $V_{IH}$    | $V_{DD} = 1.89 \text{ V}$ | 1.4                  | —   | —                    | V                |
|  |             | $V_{DD} = 2.25 \text{ V}$ | 1.8                  | —   | —                    | V                |
|  |             | $V_{DD} = 3.63 \text{ V}$ | 2.5                  | —   | —                    | V                |
| Input Low Current  | $I_{IL}$    |                           | —                    | —   | 50                   | $\mu\text{A}$    |
| Input High Current   | $I_{IH}$    |                           | —                    | —   | 50                   | $\mu\text{A}$    |
| Weak Internal Input Pull-up Resistor   | $R_{PUP}$   |                           | —                    | 75  | —                    | $\text{k}\Omega$ |
| Weak Internal Input Pull-down Resistor   | $R_{PDN}$   |                           | —                    | 75  | —                    | $\text{k}\Omega$ |
| <b>3-Level Input Pins</b>  |             |                           |                      |     |                      |                  |
| Input Voltage Low  | $V_{ILL}$   |                           | —                    | —   | $0.15 \times V_{DD}$ | V                |
| Input Voltage Mid  | $V_{IMM}$   |                           | $0.45 \times V_{DD}$ | —   | $0.55 \times V_{DD}$ | V                |
| Input Voltage High   | $V_{IHH}$   |                           | $0.85 \times V_{DD}$ | —   | —                    | V                |
| Input Low Current  | $I_{ILL}^3$ |                           | -20                  | —   | —                    | $\mu\text{A}$    |
| Input Mid Current  | $I_{IMM}^3$ |                           | -2                   | —   | 2                    | $\mu\text{A}$    |
| Input High Current   | $I_{IHH}^3$ |                           | —                    | —   | 20                   | $\mu\text{A}$    |
| <b>Notes:</b>  |             |                           |                      |     |                      |                  |
| <ol style="list-style-type: none"> <li>1. LVPECL outputs require nominal <math>V_{DD} \geq 2.5 \text{ V}</math>.</li> <li>2. No overshoot or undershoot.</li> <li>3. This is the amount of leakage that the 3L inputs can tolerate from an external driver. See Figure 3 on page 9. In most designs, an external resistor voltage divider is recommended.</li> </ol> |             |                           |                      |     |                      |                  |

**Table 2. DC Characteristics (Continued)** $(V_{DD} = 1.8 \pm 5\%, 2.5 \pm 10\%, \text{ or } 3.3 \text{ V} \pm 10\%, T_A = -40 \text{ to } 85 \text{ }^\circ\text{C})$ 

| Parameter   | Symbol   | Test Condition                                     | Min            | Typ | Max | Unit          |
|---|----------|--|----------------|-----|-----|---------------|
| <b>LVC MOS Output Pins</b>  |          |  |                |     |     |               |
| Output Voltage Low  | $V_{OL}$ | $I_O = 2 \text{ mA}$<br>$V_{DD} = 1.71 \text{ V}$  | —              | —   | 0.4 | V             |
|   |          | $I_O = 2 \text{ mA}$<br>$V_{DD} = 2.97 \text{ V}$  | —              | —   | 0.4 | V             |
| Output Voltage High   | $V_{OH}$ | $I_O = -2 \text{ mA}$<br>$V_{DD} = 1.71 \text{ V}$ | $V_{DD} - 0.4$ | —   | —   | V             |
|   |          | $I_O = -2 \text{ mA}$<br>$V_{DD} = 2.97 \text{ V}$ | $V_{DD} - 0.4$ | —   | —   | V             |
| Disabled Leakage Current  | $I_{OZ}$ | $\overline{RST} = 0$                               | -100           | —   | 100 | $\mu\text{A}$ |
| <b>Notes:</b>   |          |  |                |     |     |               |
| 1. LVPECL outputs require nominal $V_{DD} \geq 2.5 \text{ V}$ .   |          |  |                |     |     |               |
| 2. No overshoot or undershoot.  |          |  |                |     |     |               |
| 3. This is the amount of leakage that the 3L inputs can tolerate from an external driver. See Figure 3 on page 9. In most designs, an external resistor voltage divider is recommended. |          |  |                |     |     |               |

**Figure 1. Voltage Characteristics****Figure 2. Rise/Fall Time Characteristics**

**Table 3. AC Characteristics** $(V_{DD} = 1.8 \pm 5\%, 2.5 \pm 10\%, \text{ or } 3.3 \text{ V} \pm 10\%, T_A = -40 \text{ to } 85 \text{ }^\circ\text{C})$ 

| Parameter   | Symbol        | Test Condition  | Min         | Typ  | Max      | Units        |
|---|---------------|---|-------------|------|----------|--------------|
| <b>CKIN Input Pins</b>  |               |   |             |      |          |              |
| Input Frequency   | $CKN_F$       |   | 19.44       | —    | 707.35   | MHz          |
| Input Duty Cycle<br>(Minimum Pulse Width)                       | $CKN_{DC}$    | Whichever is smaller<br>(i.e., the 40%/60% limitation<br>applies only to high clock<br>frequencies) | 40          | —    | 60       | %            |
|   |               |   | 2           | —    | —        | ns           |
| Input Capacitance   | $CKN_{CIN}$   |   | —           | —    | 3        | pF           |
| Input Rise/Fall Time  | $CKN_{TRF}$   | 20–80%<br>See Figure 2  | —           | —    | 11       | ns           |
| <b>CKOUTn Output Pins</b>                                       |               |   |             |      |          |              |
| Output Frequency (Output not<br>configured for CMOS or disable) | $CKO_{OF}$    |   | 19.44       | —    | 1050     | MHz          |
| Maximum Output Frequency in<br>CMOS Format                      | $CKO_{FMC}$   |   | —           | —    | 212.5    | MHz          |
| Single-ended Output Rise/Fall<br>(20–80%)                       | $CKO_{TRF}$   | CMOS Output<br>$V_{DD} = 1.71$<br>Clod = 5 pF   | —           | —    | 8        | ns           |
|   |               |   | —           | —    | 2        | ns           |
| Differential Output Rise/Fall Time                              | $CKO_{TRF}$   | 20 to 80 %, $f_{OUT} = 622.08$  | —           | 230  | 350      | ps           |
| Output Duty Cycle Differential<br>Uncertainty                   | $CKO_{DC}$    | 100 $\Omega$ Load<br>Line to Line<br>Measured at 50% Point<br>(not for CMOS)                        | —           | —    | $\pm 40$ | ps           |
| <b>LVC MOS Input Pins</b>                                       |               |   |             |      |          |              |
| Minimum Reset Pulse Width                                       | $t_{RSTMIN}$  |   | 1           | —    | —        | $\mu$ s      |
| Input Capacitance   | $C_{IN}$      |   | —           | —    | 3        | pF           |
| <b>LVC MOS Output Pins</b>                                      |               |   |             |      |          |              |
| Rise/Fall Times   | $t_{RF}$      | $C_{LOAD} = 20$ pf<br>See Figure 2  | —           | 25   | —        | ns           |
| LOSn Trigger Window   | $LOS_{TRIG}$  | From last $CKIN \uparrow$ to $LOS \uparrow$   |             | —    | 750      | $\mu$ s      |
| <b>PLL Performance</b>  |               |   |             |      |          |              |
| Output Clock Phase Change                                       | $t_{P\_STEP}$ | After clock switch<br>$f_3 \geq 128$ kHz  | —           | 200  | —        | ps           |
| Closed Loop Jitter Peaking                                      | $J_{PK}$      |   | —           | 0.05 | 0.1      | dB           |
| Jitter Tolerance  | $J_{TOL}$     | BW determined by<br>$BWSEL[1:0]$  | 5000/<br>BW | —    | —        | ns pk-<br>pk |
| Spurious Noise  | $SP_{SPUR}$   | Max spur @ $n \times f_3$<br>( $n \geq 1, n \times f_3 < 100$ MHz)                                  | —           | –93  | –70      | dBc          |
| Phase Change due to Temperature<br>Variation                    | $t_{TEMP}$    | Max phase changes from –<br>40 to +85 $^\circ$ C  | —           | 300  | 500      | ps           |



### 1.1. Three-Level (3L) Input Pins (No External Resistors)

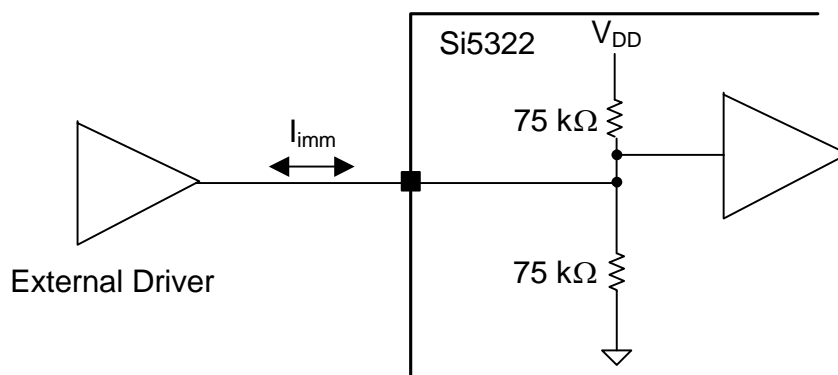
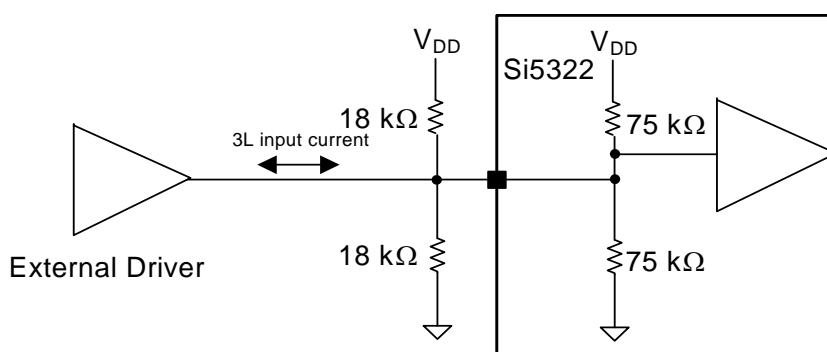


Figure 3. Three-Level Input Pins

### 1.2. Three-Level Input Pins (Example with External Resistors)



One of eight resistors from a Panasonic EXB-D10C183J (or similar) resistor pack

Figure 4. Three-Level Input Pins

Table 4. Three-Level Input Pins<sup>1,2,3,4</sup>

| Parameter          | Min         | Max         |
|--------------------|-------------|-------------|
| Input Low Current  | -30 $\mu$ A | —           |
| Input Mid Current  | -11 $\mu$ A | -11 $\mu$ A |
| Input High Current | —           | -30 $\mu$ A |

**Notes:**

1. The current parameters are the amount of leakage that the 3L inputs can tolerate from an external driver using the external resistor values indicated in this example. In most designs, an external resistor voltage divider is recommended.
2. Resistor packs are only needed if the leakage current of the external driver exceeds the current specified in Table 2,  $I_{imm}$ . Any resistor pack may be used (e.g., Panasonic EXB-D10C183J). PCB layout is not critical.
3. If a pin is tied to ground or  $V_{DD}$ , no resistors are needed.
4. If a pin is left open (no connect), no resistors are needed.

**Table 5. Performance Specifications<sup>1, 2, 3, 4</sup>**

( $V_{DD} = 1.8 \pm 5\%$ ,  $2.5 \pm 10\%$ , or  $3.3 \text{ V} \pm 10\%$ ,  $T_A = -40$  to  $85 \text{ }^\circ\text{C}$ )

| Parameter   | Symbol     | Test Condition | Min | Typ  | Max | Unit   |
|---|------------|----------------|-----|------|-----|--------|
| Jitter Generation<br>$f_{IN} = f_{OUT} = 622.08 \text{ MHz}$ ,<br>LVPECL Output Format<br>BW = 877 Hz | $J_{GEN}$  | 50 kHz–80 MHz  | —   | .47  | —   | ps rms |
|   |            | 12 kHz–20 MHz  | —   | .48  | —   | ps rms |
|   |            | 4 MHz–80 MHz   | —   | .23  | —   | ps rms |
| Phase Noise<br>$f_{IN} = f_{OUT} = 622.08 \text{ MHz}$<br>LVPECL Output Format                        | $CKO_{PN}$ | 1 kHz offset   | —   | –90  | —   | dBc/Hz |
|   |            | 10 kHz offset  | —   | –113 | —   | dBc/Hz |
|   |            | 100 kHz offset | —   | –118 | —   | dBc/Hz |
|   |            | 1 MHz offset   | —   | –132 | —   | dBc/Hz |

**Notes:**

1. BWSEL [1:0] loop bandwidth settings provided in by DSPLLsim.
2.  $V_{DD} = 3.3 \text{ V}$
3.  $T_A = 85 \text{ }^\circ\text{C}$
4. Test condition:  $f_{IN} = 622.08 \text{ MHz}$ ,  $f_{OUT} = 622.08 \text{ MHz}$ , LVPECL clock input: 1.19 Vppd with 0.5 ns rise/fall time (20-80%), LVPECL clock output.

**Table 6. Thermal Characteristics**

( $V_{DD} = 1.8 \pm 5\%$ ,  $2.5 \pm 10\%$ , or  $3.3 \text{ V} \pm 10\%$ ,  $T_A = -40$  to  $85 \text{ }^\circ\text{C}$ )

| Parameter                                 | Symbol        | Test Condition | Min | Typ | Max | Unit               |
|---|---------------|----------------|-----|-----|-----|--------------------|
| Thermal Resistance<br>Junction to Ambient | $\theta_{JA}$ | Still Air      | —   | 32  | —   | $^\circ\text{C/W}$ |
| Thermal Resistance<br>Junction to Case    | $\theta_{JC}$ | Still Air      | —   | 14  | —   | $^\circ\text{C/W}$ |

**Table 7. Absolute Maximum Ratings**

| Parameter  | Symbol      | Value                      | Unit |
|--|-------------|----------------------------|------|
| DC Supply Voltage  | $V_{DD}$    | –0.5 to 3.8                | V    |
| LVC MOS Input Voltage  | $V_{DIG}$   | –0.3 to ( $V_{DD} + 0.3$ ) | V    |
| CKINn Voltage Level Limits   | $CKN_{VIN}$ | 0 to $V_{DD}$              | V    |
| Operating Junction Temperature   | $T_{JCT}$   | –55 to 150                 | C    |
| Storage Temperature Range  | $T_{STG}$   | –55 to 150                 | C    |
| ESD HBM Tolerance (100 pF, 1.5 k $\Omega$ ); All pins except CKIN+/CKIN– |             | 2                          | kV   |
| ESD MM Tolerance; All pins except CKIN+/CKIN–                            |             | 150                        | V    |
| ESD HBM Tolerance (100 pF, 1.5 k $\Omega$ ); CKIN+/CKIN–                 |             | 750                        | V    |
| ESD MM Tolerance; CKIN+/CKIN–  |             | 100                        | V    |
| Latch-Up Tolerance   |             | JESD78 Compliant           |      |

**Note:** Permanent device damage may occur if the Absolute Maximum Ratings are exceeded. Functional operation should be restricted to the conditions as specified in the operation sections of this data sheet. Exposure to absolute maximum rating conditions for extended periods of time may affect device reliability.

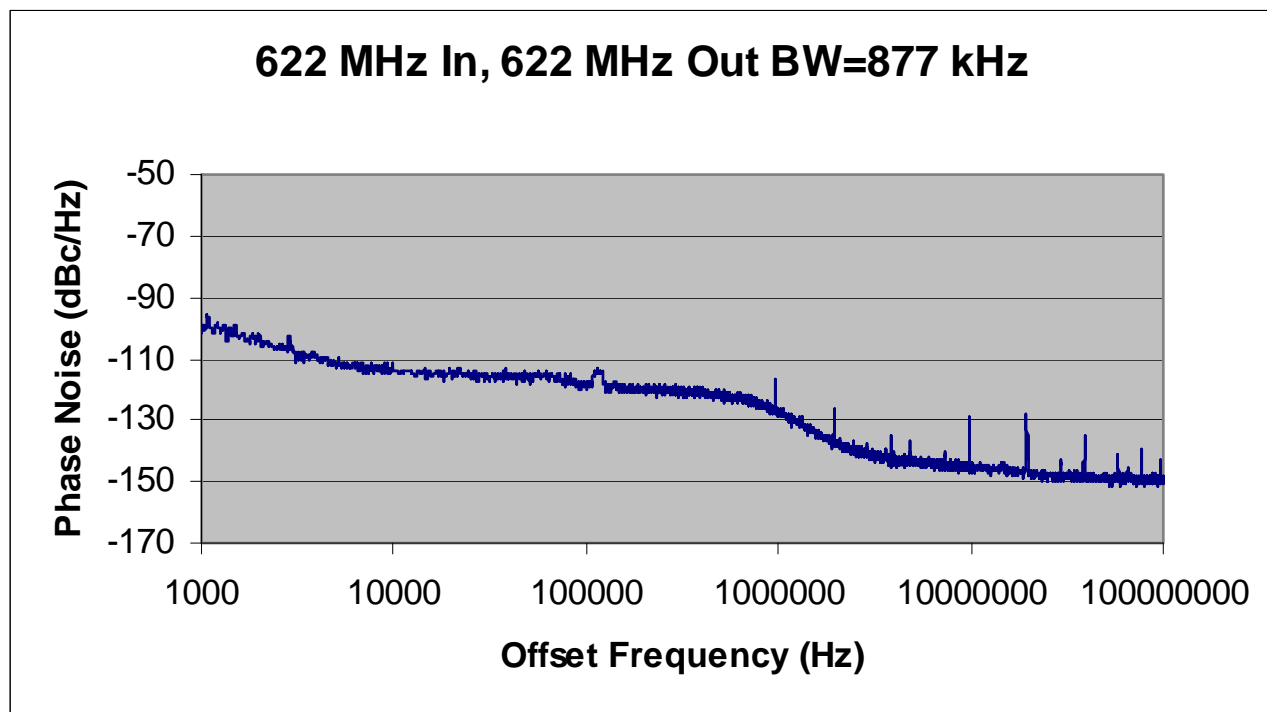
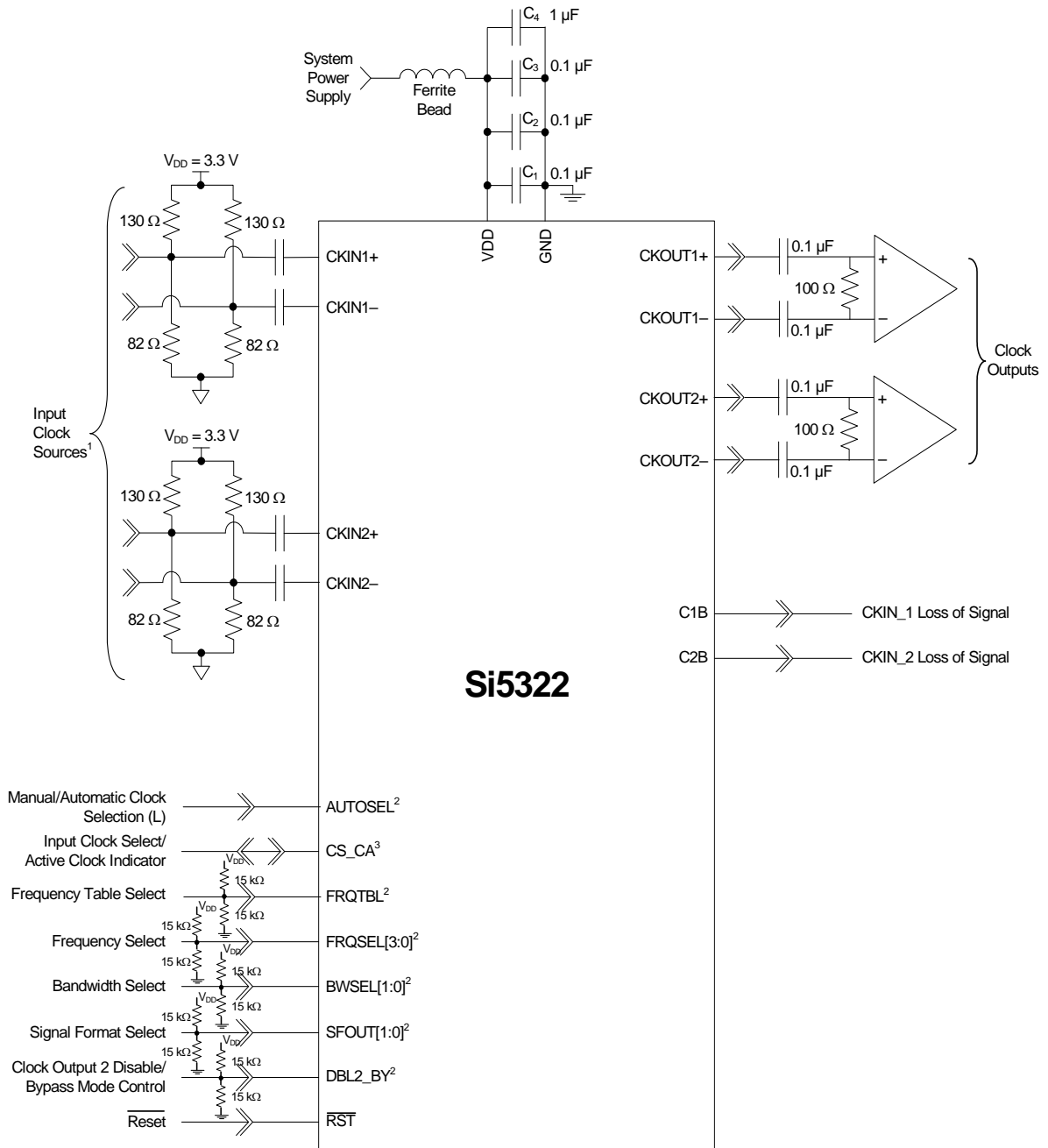


Figure 5. Typical Phase Noise Plot

Table 8. Typical Jitter Data

| Jitter Bandwidth            | RMS Jitter (fs) |
|-----------------------------|-----------------|
| OC-48, 12 kHz to 20 MHz     | 374             |
| OC-192, 20 kHz to 80 MHz    | 388             |
| OC-192, 4 MHz to 80 MHz     | 181             |
| OC-192, 50 kHz to 80 MHz    | 377             |
| Broadband, 800 Hz to 80 MHz | 420             |



- Notes:**
1. Assumes differential LVEPECL termination (3.3 V) on clock inputs.
  2. Denotes tri-level input pins with states designated as L (ground), M ( $V_{DD}/2$ ), and H ( $V_{DD}$ ).
  3. Assumes manual input clock selection.

**Figure 6. Si5322 Typical Application Circuit**

## 2. Functional Description

The Si5322 is a low jitter, precision clock multiplier for high-speed communication systems, including SONET OC-48/OC-192, SDH STM-16/64 Ethernet, and Fibre Channel. The Si5322 accepts dual clock inputs ranging from 19.44 to 707 MHz and generates two frequency-multiplied clock outputs ranging from 19.44 to 1050 MHz. The two input clocks are at the same frequency and the two output clocks are at the same frequency.

The input clock frequency and clock multiplication ratio are selectable from a table of popular SONET, Ethernet, and Fibre Channel rates. In addition to providing clock multiplication in SONET and datacom applications, the Si5322 supports SONET-to-datacom frequency translations.

Skyworks Solutions offers a PC-based software utility, *DSPLLsim*, that can be used to look up valid Si5322 frequency translations. This utility can be downloaded from <https://www.skyworksinc.com/en/Products/Timing>.

The Si5322 is recommended for applications in which the input clock is relatively low jitter and only clock multiplication is required. The Si5322 is based on Skyworks Solutions' 3rd-generation DSPLL<sup>®</sup> technology, which provides any-frequency synthesis in a highly integrated PLL solution that eliminates the need for external VCXO and loop filter components. The Si5322 PLL loop bandwidth is selectable via the BWSEL[1:0] pins and supports a range from 150 kHz to 1.5 MHz. The *DSPLLsim* software utility can be used to calculate valid loop bandwidth settings for a given input clock frequency/clock multiplication ratio. The Si5322 monitors all input clocks for loss of signal and provides a LOS alarm when it detects a missing clock.

In the case when the input clocks enter alarm conditions, the PLL will freeze the DCO output frequency near its last value to maintain operation with an internal state close to the last valid operating state.

The Si5322 has two differential clock outputs. The electrical format of the clock outputs is programmable to support LVPECL, LVDS, CML, or CMOS loads. If not required, the second clock output can be powered down to minimize power consumption. For system-level debugging, a bypass mode is available which drives the output clock directly from the input clock, bypassing the internal DSPLL. The device is powered by a single 1.8, 2.5, or 3.3 V supply.

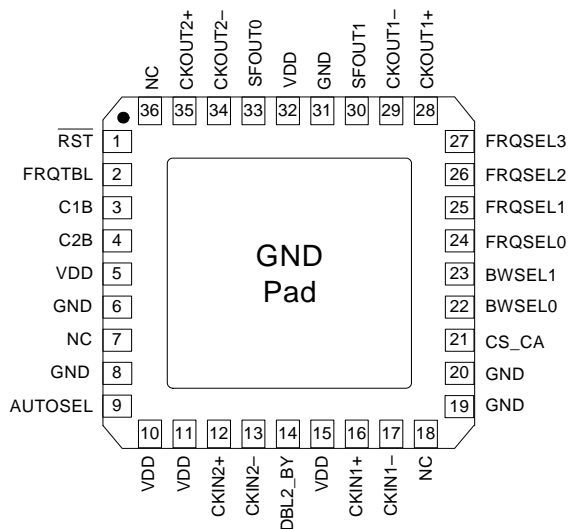
## 2.1. Further Documentation

Consult the Skyworks Solutions Any-Frequency Precision Clock Family Reference Manual (FRM) for detailed information about the Si5322. Additional design support is available from Skyworks Solutions through your distributor.

Skyworks Solutions has developed a PC-based software utility called *DSPLLsim* to simplify device configuration, including frequency planning and loop bandwidth selection.

The FRM and this utility can be downloaded from <https://www.skyworksinc.com/en/Products/Timing>.

## 3. Pin Descriptions: Si5322



**Table 9. Si5322 Pin Descriptions**

| Pin # | Pin Name                | I/O | Signal Level | Description   |
|-------|-------------------------|-----|--------------|---|
| 1     | $\overline{\text{RST}}$ | I   | LVC MOS      | <b>External Reset.</b><br>Active low input that performs external hardware reset of device. Resets all internal logic to a known state. Clock outputs are tristated during reset. After rising edge of $\overline{\text{RST}}$ signal, the Si5322 will perform an internal self-calibration. This pin has a weak pull-up.                                       |
| 2     | FRQTBL                  | I   | 3-Level      | <b>Frequency Table Select.</b><br>Selects SONET/SDH, datacom, or SONET/SDH to datacom frequency table.<br>L = SONET/SDH.<br>M = Datacom.<br>H = SONET/SDH to Datacom.<br>The pin has a weak pull-up and weak pull-down and defaults to M.<br>Some designs may require an external resistor voltage divider when driven by an active device that will tri-state. |
| 3     | C1B                     | O   | LVC MOS      | <b>CKIN1 Loss of Signal.</b><br>Active high loss-of-signal indicator for CKIN1. Once triggered, the alarm will remain active until CKIN1 is validated.<br>0 = CKIN1 present.<br>1 = LOS on CKIN1.   |
| 4     | C2B                     | O   | LVC MOS      | <b>CKIN2 Loss of Signal.</b><br>Active high loss-of-signal indicator for CKIN2. Once triggered, the alarm will remain active until CKIN2 is validated.<br>0 = CKIN2 present.<br>1 = LOS on CKIN2.   |

Table 9. Si5322 Pin Descriptions (Continued)

| Pin #                | Pin Name         | I/O             | Signal Level | Description  |   |        |    |        |    |        |
|----------------------|------------------|-----------------|--------------|--|---|--------|----|--------|----|--------|
| 5, 10, 11,<br>15, 32 | V <sub>DD</sub>  | V <sub>DD</sub> | Supply       | <p><b>Supply.</b><br/>The device operates from a 1.8, 2.5, or 3.3 V supply. Bypass capacitors should be associated with the following V<sub>DD</sub> pins:</p> <table> <tr> <td>5</td> <td>0.1 μF</td> </tr> <tr> <td>10</td> <td>0.1 μF</td> </tr> <tr> <td>32</td> <td>0.1 μF</td> </tr> </table> <p>A 1.0 μF should be placed as close to device as is practical.</p>   | 5 | 0.1 μF | 10 | 0.1 μF | 32 | 0.1 μF |
| 5                    | 0.1 μF           |                 |              |  |   |        |    |        |    |        |
| 10                   | 0.1 μF           |                 |              |  |   |        |    |        |    |        |
| 32                   | 0.1 μF           |                 |              |  |   |        |    |        |    |        |
| 6, 8, 19,<br>20, 31  | GND              | GND             | Supply       | <p><b>Ground.</b><br/>Must be connected to system ground. Minimize the ground path impedance for optimal performance of this device.</p>   |   |        |    |        |    |        |
| 9                    | AUTOSEL          | I               | 3-Level      | <p><b>Manual/Automatic Clock Selection.</b><br/>Three level input that selects the method of input clock selection to be used.<br/>L = Manual.<br/>M = Automatic non-revertive.<br/>H = Automatic revertive.<br/>The pin has a weak pull-up and weak pull-down and defaults to M.<br/>Some designs may require an external resistor voltage divider when driven by an active device that will tri-state.</p>   |   |        |    |        |    |        |
| 12<br>13             | CKIN2+<br>CKIN2– | I               | Multi        | <p><b>Clock Input 2.</b><br/>Differential input clock. This input can also be driven with a single-ended signal. Input frequency selected from a table of values. The same frequency must be applied to CKIN1 and CKIN2.</p>   |   |        |    |        |    |        |
| 14                   | DBL2_BY          | I               | 3-Level      | <p><b>Output 2 Disable/Bypass Mode Control.</b><br/>Controls enable of CKOUT2 divider/output buffer path and PLL bypass mode.<br/>L = CKOUT2 enabled.<br/>M = CKOUT2 disabled.<br/>H = Bypass mode with CKOUT2 enabled.<br/>CMOS outputs do not support Bypass Mode.<br/>The pin has a weak pull-up and weak pull-down and defaults to M.<br/>Some designs may require an external resistor voltage divider when driven by an active device that will tri-state.</p> |   |        |    |        |    |        |
| 16<br>17             | CKIN1+<br>CKIN1– | I               | Multi        | <p><b>Clock Input 1.</b><br/>Differential input clock. This input can also be driven with a single-ended signal. Input frequency selected from a table of values. The same frequency must be applied to CKIN1 and CKIN2.</p>   |   |        |    |        |    |        |

Table 9. Si5322 Pin Descriptions (Continued)

| Pin #                | Pin Name                                 | I/O | Signal Level | Description   |
|----------------------|--|-----|--------------|---|
| 21                   | CS_CA                                    | I/O | LVC MOS      | <p><b>Input Clock Select/Active Clock Indicator.</b></p> <p><b>Input:</b> If manual clock selection mode is chosen (AUTOSEL = L), this pin functions as the manual input clock selector. This input is internally deglitched to prevent inadvertent clock switching during changes in the CS input state.<br/>0 = Select CKIN1.<br/>1 = Select CKIN2.<br/>If configured as input, must be set high or low.</p> <p><b>Output:</b> If automatic clock selection mode is chosen (AUTOSEL = M or H), this pin indicates which of the two input clocks is currently the active clock. If alarms exist on both CKIN1 and CKIN2, indicating that the digital hold state has been entered, CA will indicate the last active clock that was used before entering the hold state.<br/>0 = CKIN1 active input clock.<br/>1 = CKIN2 active input clock.</p> |
| 23<br>22             | BWSEL1<br>BWSEL0                         | I   | 3-Level      | <p><b>Bandwidth Select.</b></p> <p>Three level inputs that select the DSPLL closed loop bandwidth. Detailed operations and timing characteristics for these pins may be found in the Any-Frequency Precision Clock Family Reference Manual.</p> <p>These pins have both weak pull-ups and weak pull-downs and default to M.</p> <p>Some designs may require an external resistor voltage divider when driven by an active device that will tri-state.</p>   |
| 27<br>26<br>25<br>24 | FRQSEL3<br>FRQSEL2<br>FRQSEL1<br>FRQSEL0 | I   | 3-Level      | <p><b>Multiplier Select.</b></p> <p>Three level inputs that select the input clock and clock multiplication ratio, depending on the FRQTBL setting. Consult the Any-Frequency Precision Clock Family Reference Manual or DSPLLsim configuration software for settings, both available for download at <a href="https://www.skyworksinc.com/en/Products/Timing">https://www.skyworksinc.com/en/Products/Timing</a></p> <p>These pins have both weak pull-ups and weak pull-downs and default to M.</p> <p>Some designs may require an external resistor voltage divider when driven by an active device that will tri-state.</p>   |



Table 9. Si5322 Pin Descriptions (Continued)

| Pin #      | Pin Name           | I/O | Signal Level | Description  |            |               |    |          |    |      |    |     |    |        |    |          |    |                |    |      |    |          |    |          |
|------------|--------------------|-----|--------------|--|------------|---------------|----|----------|----|------|----|-----|----|--------|----|----------|----|----------------|----|------|----|----------|----|----------|
| 33<br>30   | SFOUT0<br>SFOUT1   | I   | 3-Level      | <p><b>Signal Format Select.</b><br/>Three level inputs that select the output signal format (common mode voltage and differential swing) for both CKOUT1 and CKOUT2. Valid settings include LVPECL, LVDS, and CML. Also includes selections for CMOS mode, tristate mode, and tristate/sleep mode.</p> <table border="1"> <thead> <tr> <th>SFOUT[1:0]</th> <th>Signal Format</th> </tr> </thead> <tbody> <tr> <td>HH</td> <td>Reserved</td> </tr> <tr> <td>HM</td> <td>LVDS</td> </tr> <tr> <td>HL</td> <td>CML</td> </tr> <tr> <td>MH</td> <td>LVPECL</td> </tr> <tr> <td>MM</td> <td>Reserved</td> </tr> <tr> <td>ML</td> <td>LVDS—Low Swing</td> </tr> <tr> <td>LH</td> <td>CMOS</td> </tr> <tr> <td>LM</td> <td>Disabled</td> </tr> <tr> <td>LL</td> <td>Reserved</td> </tr> </tbody> </table> <p>CMOS outputs do not support Bypass Mode.<br/>These pins have both weak pull-ups and weak pull-downs and default to M.<br/>Some designs may require an external resistor voltage divider when driven by an active device that will tri-state.</p> | SFOUT[1:0] | Signal Format | HH | Reserved | HM | LVDS | HL | CML | MH | LVPECL | MM | Reserved | ML | LVDS—Low Swing | LH | CMOS | LM | Disabled | LL | Reserved |
| SFOUT[1:0] | Signal Format      |     |              |  |            |               |    |          |    |      |    |     |    |        |    |          |    |                |    |      |    |          |    |          |
| HH         | Reserved           |     |              |  |            |               |    |          |    |      |    |     |    |        |    |          |    |                |    |      |    |          |    |          |
| HM         | LVDS               |     |              |  |            |               |    |          |    |      |    |     |    |        |    |          |    |                |    |      |    |          |    |          |
| HL         | CML                |     |              |  |            |               |    |          |    |      |    |     |    |        |    |          |    |                |    |      |    |          |    |          |
| MH         | LVPECL             |     |              |  |            |               |    |          |    |      |    |     |    |        |    |          |    |                |    |      |    |          |    |          |
| MM         | Reserved           |     |              |  |            |               |    |          |    |      |    |     |    |        |    |          |    |                |    |      |    |          |    |          |
| ML         | LVDS—Low Swing     |     |              |  |            |               |    |          |    |      |    |     |    |        |    |          |    |                |    |      |    |          |    |          |
| LH         | CMOS               |     |              |  |            |               |    |          |    |      |    |     |    |        |    |          |    |                |    |      |    |          |    |          |
| LM         | Disabled           |     |              |  |            |               |    |          |    |      |    |     |    |        |    |          |    |                |    |      |    |          |    |          |
| LL         | Reserved           |     |              |  |            |               |    |          |    |      |    |     |    |        |    |          |    |                |    |      |    |          |    |          |
| 34<br>35   | CKOUT2–<br>CKOUT2+ | O   | Multi        | <p><b>Clock Output 2.</b><br/>Differential output clock with a frequency selected from a table of values. Output signal format is selected by SFOUT pins. Output is differential for LVPECL, LVDS, and CML compatible modes. For CMOS format, both output pins drive identical single-ended clock outputs.</p>   |            |               |    |          |    |      |    |     |    |        |    |          |    |                |    |      |    |          |    |          |
| 29<br>28   | CKOUT1–<br>CKOUT1+ | O   | Multi        | <p><b>Clock Output 1.</b><br/>Differential output clock with a frequency selected from a table of values. Output signal format is selected by SFOUT pins. Output is differential for LVPECL, LVDS, and CML compatible modes. For CMOS format, both output pins drive identical single-ended clock outputs.</p>   |            |               |    |          |    |      |    |     |    |        |    |          |    |                |    |      |    |          |    |          |
| 7, 18, 36  | NC                 | —   | —            | <p><b>No Connect.</b><br/>These pins must be left unconnected for normal operation.</p>  |            |               |    |          |    |      |    |     |    |        |    |          |    |                |    |      |    |          |    |          |
| GND PAD    | GND                | GND | Supply       | <p><b>Ground Pad.</b><br/>The ground pad must provide a low thermal and electrical impedance to a ground plane.</p>  |            |               |    |          |    |      |    |     |    |        |    |          |    |                |    |      |    |          |    |          |

# Si5322

---

## 4. Ordering Guide

| Ordering Part Number | Package              | ROHS6, Pb-Free | Temperature Range |
|----------------------|----------------------|----------------|-------------------|
| Si5322-C-GM*         | 36-Lead 6 x 6 mm QFN | Yes            | -40 to 85 °C      |

**\*Note:** Not recommended for new designs. For alternatives, see the Si533x family.

## 5. Package Outline: 36-Pin QFN

Figure 7 illustrates the package details for the Si5322. Table 10 lists the values for the dimensions shown in the illustration.

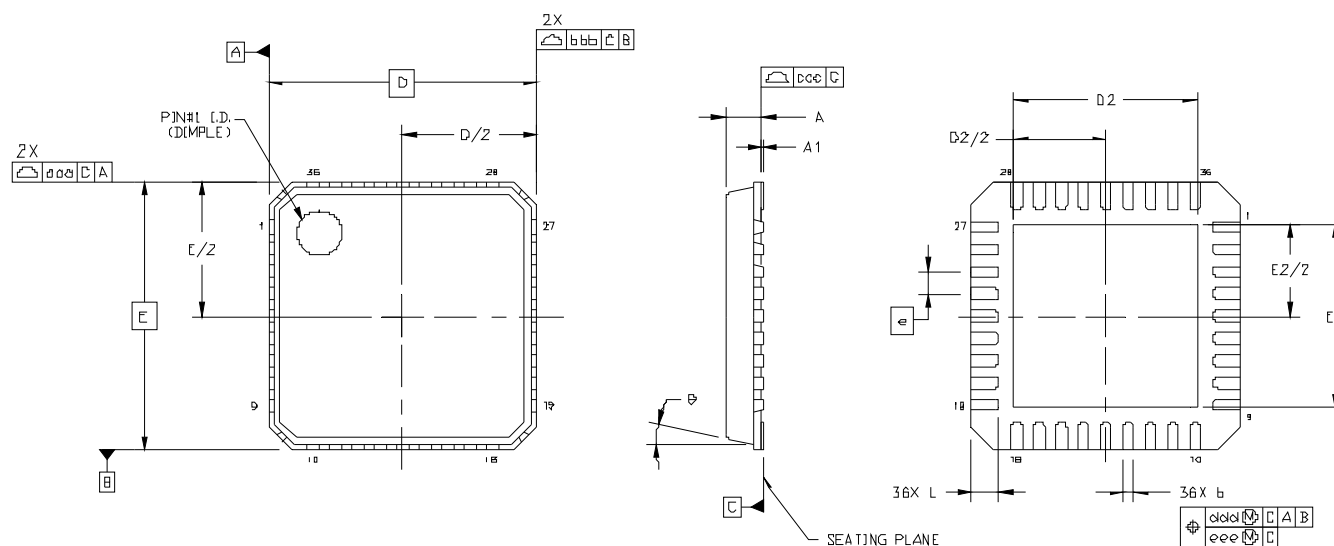


Figure 7. 36-Pin Quad Flat No-lead (QFN)

Table 10. Package Dimensions

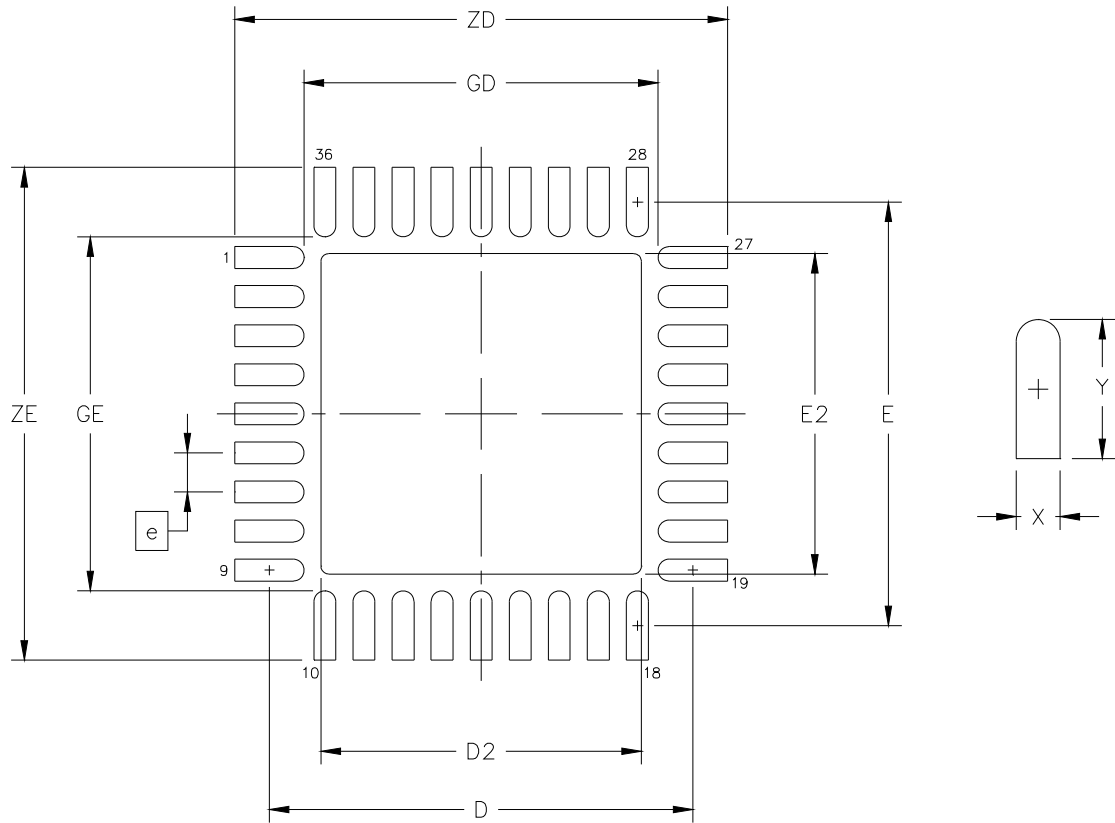
| Symbol | Millimeters |      |      |
|--------|-------------|------|------|
|        | Min         | Nom  | Max  |
| A      | 0.80        | 0.85 | 0.90 |
| A1     | 0.00        | 0.02 | 0.05 |
| b      | 0.18        | 0.25 | 0.30 |
| D      | 6.00 BSC    |      |      |
| D2     | 3.95        | 4.10 | 4.25 |
| e      | 0.50 BSC    |      |      |
| E      | 6.00 BSC    |      |      |
| E2     | 3.95        | 4.10 | 4.25 |

| Symbol   | Millimeters |      |      |
|----------|-------------|------|------|
|          | Min         | Nom  | Max  |
| L        | 0.50        | 0.60 | 0.70 |
| $\theta$ | —           | —    | 12°  |
| aaa      | —           | —    | 0.10 |
| bbb      | —           | —    | 0.10 |
| ccc      | —           | —    | 0.08 |
| ddd      | —           | —    | 0.10 |
| eee      | —           | —    | 0.05 |

### Notes:

1. All dimensions shown are in millimeters (mm) unless otherwise noted.
2. Dimensioning and Tolerancing per ANSI Y14.5M-1994.
3. This drawing conforms to JEDEC outline MO-220, variation VJJD.
4. Recommended card reflow profile is per the JEDEC/IPC J-STD-020C specification for Small Body Components.

## 6. Land Pattern: 36-Pin QFN



**Figure 8. 36-Pin QFN Land Pattern**

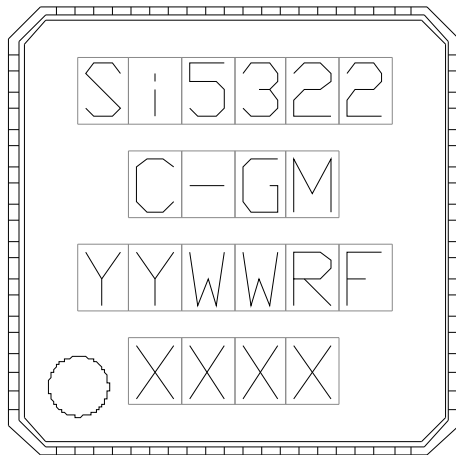
Table 11. PCB Land Pattern Dimensions

| Dimension  | MIN       | MAX  |
|--|-----------|------|
| e  | 0.50 BSC. |      |
| E  | 5.42 REF. |      |
| D  | 5.42 REF. |      |
| E2   | 4.00      | 4.20 |
| D2   | 4.00      | 4.20 |
| GE   | 4.53      | —    |
| GD   | 4.53      | —    |
| X  | —         | 0.28 |
| Y  | 0.89 REF. |      |
| ZE   | —         | 6.31 |
| ZD   | —         | 6.31 |
| <b>Notes:</b><br><b>General</b> <ol style="list-style-type: none"> <li>All dimensions shown are in millimeters (mm) unless otherwise noted.</li> <li>Dimensioning and Tolerancing is per the ANSI Y14.5M-1994 specification.</li> <li>This Land Pattern Design is based on IPC-SM-782 guidelines.</li> <li>All dimensions shown are at Maximum Material Condition (MMC). Least Material Condition (LMC) is calculated based on a Fabrication Allowance of 0.05 mm.</li> </ol> <b>Solder Mask Design</b> <ol style="list-style-type: none"> <li>All metal pads are to be non-solder mask defined (NSMD). Clearance between the solder mask and the metal pad is to be 60 <math>\mu</math>m minimum, all the way around the pad.</li> </ol> <b>Stencil Design</b> <ol style="list-style-type: none"> <li>A stainless steel, laser-cut and electro-polished stencil with trapezoidal walls should be used to assure good solder paste release.</li> <li>The stencil thickness should be 0.125 mm (5 mils).</li> <li>The ratio of stencil aperture to land pad size should be 1:1 for the perimeter pads.</li> <li>A 4 x 4 array of 0.80 mm square openings on 1.05 mm pitch should be used for the center ground pad.</li> </ol> <b>Card Assembly</b> <ol style="list-style-type: none"> <li>A No-Clean, Type-3 solder paste is recommended.</li> <li>The recommended card reflow profile is per the JEDEC/IPC J-STD-020C specification for Small Body Components.</li> </ol> |           |      |

# Si5322

## 7. Top Marking

### 7.1. Si5322 Top Marking (QFN)



### 7.2. Top Marking Explanation

|                        |                            |   |
|------------------------|----------------------------|---|
| <b>Mark Method:</b>    | Lasers                     |   |
| <b>Font Size:</b>      | 0.80 mm<br>Right-Justified |   |
| <b>Line 1 Marking:</b> | Si5322                     | Customer Part Number<br>See Ordering Guide for options  |
| <b>Line 2 Marking:</b> | C-GM                       | C = Product Revision<br>G = Temperature Range -40 to 85 °C (RoHS6)<br>M = QFN Package   |
| <b>Line 3 Marking:</b> | YYWWRF                     | YY = Year<br>WW = Work Week<br>R = Die Revision<br>F = Internal code<br>Assigned by the Assembly House. Corresponds to the year and work week of the mold date. |
| <b>Line 4 Marking:</b> | Pin 1 Identifier           | Circle = 0.75 mm Diameter<br>Lower-Left Justified   |
|                        | XXXX                       | Internal Code   |

---

## DOCUMENT CHANGE LIST

### Revision 0.44 to Revision 0.45

- Condensed format.

### Revision 0.45 to Revision 0.46

- Removed references to latency control, INC, and DEC in figures and text.
- Changed LVTTTL to LVCMOS in Table 2, "Absolute Maximum Ratings," on page 5.
- Added Figure 1, "Typical Phase Noise Plot," on page 4.
- Updated "3. Pin Descriptions: Si5322".
- Added "6. Land Pattern: 36-Pin QFN".

### Revision 0.46 to Revision 0.47

- Removed Figure 1. "Typical Phase Noise Plot."
- Changed pins 11 and 15 from NC to VDD in "3. Pin Descriptions: Si5322".

### Revision 0.47 to Revision 0.5

- Changed 1.8 V operating range to  $\pm 5\%$ .
- Updated Table 1 on page 4.
- Updated Table 2 on page 5.
- Updated Figure 6 on page 12 to add pull-up/pull-down resistors for 3-level inputs.
- Added figure and table on page 11.
- Updated "2. Functional Description" on page 13.
- Clarified "3. Pin Descriptions: Si5322" on page 14.
- Updated SFOUT values.

### Revision 0.5 to Revision 0.51

- Changed "any-rate" to "any-frequency" throughout.
- Expanded spec tables 1 through 7.
- Updated Table 5 on page 10.
- Added "7. Top Marking" on page 22.
- Added clarification that CMOS output format is not available in PLL bypass mode.
- Updated "4. Ordering Guide" on page 18.
- Removed note from "3. Pin Descriptions: Si5322" on page 14.

### Revision 0.51 to Revision 1.0

- Updated logo.
- Transitioned to full production.



# SKYWORKS®

## ClockBuilder Pro

Customize Skyworks clock generators, jitter attenuators and network synchronizers with a single tool. With CBPro you can control evaluation boards, access documentation, request a custom part number, export for in-system programming and more!

[www.skyworksinc.com/CBPro](http://www.skyworksinc.com/CBPro)



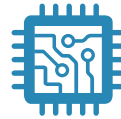
**Portfolio**

[www.skyworksinc.com/ia/timing](http://www.skyworksinc.com/ia/timing)



**SW/HW**

[www.skyworksinc.com/CBPro](http://www.skyworksinc.com/CBPro)



**Quality**

[www.skyworksinc.com/quality](http://www.skyworksinc.com/quality)



**Support & Resources**

[www.skyworksinc.com/support](http://www.skyworksinc.com/support)

### Copyright © 2021 Skyworks Solutions, Inc. All Rights Reserved.

Information in this document is provided in connection with Skyworks Solutions, Inc. ("Skyworks") products or services. These materials, including the information contained herein, are provided by Skyworks as a service to its customers and may be used for informational purposes only by the customer. Skyworks assumes no responsibility for errors or omissions in these materials or the information contained herein. Skyworks may change its documentation, products, services, specifications or product descriptions at any time, without notice. Skyworks makes no commitment to update the materials or information and shall have no responsibility whatsoever for conflicts, incompatibilities, or other difficulties arising from any future changes.

No license, whether express, implied, by estoppel or otherwise, is granted to any intellectual property rights by this document. Skyworks assumes no liability for any materials, products or information provided hereunder, including the sale, distribution, reproduction or use of Skyworks products, information or materials, except as may be provided in Skyworks' Terms and Conditions of Sale.

THE MATERIALS, PRODUCTS AND INFORMATION ARE PROVIDED "AS IS" WITHOUT WARRANTY OF ANY KIND, WHETHER EXPRESS, IMPLIED, STATUTORY, OR OTHERWISE, INCLUDING FITNESS FOR A PARTICULAR PURPOSE OR USE, MERCHANTABILITY, PERFORMANCE, QUALITY OR NON-INFRINGEMENT OF ANY INTELLECTUAL PROPERTY RIGHT; ALL SUCH WARRANTIES ARE HEREBY EXPRESSLY DISCLAIMED. SKYWOKS DOES NOT WARRANT THE ACCURACY OR COMPLETENESS OF THE INFORMATION, TEXT, GRAPHICS OR OTHER ITEMS CONTAINED WITHIN THESE MATERIALS. SKYWOKS SHALL NOT BE LIABLE FOR ANY DAMAGES, INCLUDING BUT NOT LIMITED TO ANY SPECIAL, INDIRECT, INCIDENTAL, STATUTORY, OR CONSEQUENTIAL DAMAGES, INCLUDING WITHOUT LIMITATION, LOST REVENUES OR LOST PROFITS THAT MAY RESULT FROM THE USE OF THE MATERIALS OR INFORMATION, WHETHER OR NOT THE RECIPIENT OF MATERIALS HAS BEEN ADVISED OF THE POSSIBILITY OF SUCH DAMAGE.

Skyworks products are not intended for use in medical, lifesaving or life-sustaining applications, or other equipment in which the failure of the Skyworks products could lead to personal injury, death, physical or environmental damage. Skyworks customers using or selling Skyworks products for use in such applications do so at their own risk and agree to fully indemnify Skyworks for any damages resulting from such improper use or sale.

Customers are responsible for their products and applications using Skyworks products, which may deviate from published specifications as a result of design defects, errors, or operation of products outside of published parameters or design specifications. Customers should include design and operating safeguards to minimize these and other risks. Skyworks assumes no liability for applications assistance, customer product design, or damage to any equipment resulting from the use of Skyworks products outside of Skyworks' published specifications or parameters.

Skyworks, the Skyworks symbol, Sky5®, SkyOne®, SkyBlue™, Skyworks Green™, Clockbuilder®, DSPLL®, ISOModem®, ProSLIC®, and SiPHY® are trademarks or registered trademarks of Skyworks Solutions, Inc. or its subsidiaries in the United States and other countries. Third-party brands and names are for identification purposes only and are the property of their respective owners. Additional information, including relevant terms and conditions, posted at [www.skyworksinc.com](http://www.skyworksinc.com), are incorporated by reference.



## X-ON Electronics

Largest Supplier of Electrical and Electronic Components

*Click to view similar products for [Clock Synthesizer/Jitter Cleaner](#) category:*

*Click to view products by [Silicon Labs](#) manufacturer:*

Other Similar products are found below :

[MPC9230EIR2](#) [PL902166USY](#) [954204CGLF](#) [9LPRS485DGLF](#) [PL902167USY](#) [MAXREFDES161#](#) [8V19N490ABDGI](#) [LMK04821NKDT](#)  
[CDCE937QPWRQ1](#) [PI6CX201ALE](#) [9LPRS355BGLF](#) [CDCEL913IPWRQ1](#) [ABMJB-903-101UMG-T5](#) [ABMJB-903-150UMG-T5](#) [ABMJB-903-151UMG-T5](#) [AD9542BCPZ](#) [AD9578BCPZ](#) [9FG104EFILF](#) [9FG104EFLF](#) [308RILF](#) [840001BGI-25LF](#) [843004AGLF](#) [843801AGI-24LF](#)  
[844004BGI-01LF](#) [844S42BKILF](#) [8A34044C-000NLG](#) [954226AGLF](#) [9FG108EFLF](#) [9LPR363EGLF](#) [9LPRS355BKLF](#) [9LPRS365BGLF](#)  
[MK2703BSILF](#) [GS4915-INE3](#) [9DB306BLLF](#) [ABMJB-902-155USY-T5](#) [ABMJB-902-156USY-T5](#) [ABMJB-902-Q76USY-T5](#) [ABMJB-902-Q82USY-T5](#) [ABMJB-902-104USY-T5](#) [ABMJB-902-153USY-T5](#) [ABMJB-902-154USY-T5](#) [ABMJB-902-Q42USY-T5](#) [ABMJB-902-Q57USY-T5](#) [ABMJB-902-Q74USY-T5](#) [ABMJB-902-Q78USY-T5](#) [LTC6951IUHF-1#PBF](#) [650GI-44LF](#) [8430252CGI-45LF](#) [8432DYI-101LF](#)  
[84329BYLF](#)