

## ANY-FREQUENCY PRECISION CLOCK MULTIPLIER/ JITTER ATTENUATOR

### Features

- Generates any frequency from 2 kHz to 945 MHz and select frequencies to 1.4 GHz from an input frequency of 2 kHz to 710 MHz
- Ultra-low jitter clock outputs as low as 290 fs rms (12 kHz–20 MHz), 320 fs rms (50 kHz–80 MHz)
- Integrated loop filter with selectable loop bandwidth (4– 525 Hz)
- Meets ITU-T G.8251 and Telcordia GR-253-CORE jitter specification
- Hitless input clock switching with phase build-out
- Freerun, Digital Hold operation
- Configurable signal format per output (LVPECL, LVDS, CML, CMOS)
- Support for ITU G.709 and custom FEC ratios (255/238, 255/237, 255/236, 239/237, 66/64, 239/238, 15/14, 253/221, 255/238)
- LOL, LOS, FOS alarm outputs
- I<sup>2</sup>C or SPI programmable
- On-chip voltage regulator with high PSNR
- Single supply 1.8 ±5%, 2.5 ±10%, or 3.3 V ±10%
- Small size: 6 x 6 mm 36-lead QFN
- Pb-free, ROHS-compliant

### Applications

- Broadcast video –3G/HD/SD-SDI, Genlock
- Packet Optical Transport Systems (P-OTS), MSPP
- OTN/OTU-1/2/3/4 Asynchronous Demapping (Gapped Clock)
- SONET OC-48/192/768, SDH/STM-16/64/256 line cards
- 1/2/4/8/10G Fibre Channel line cards
- GbE/10/40/100G Synchronous Ethernet (LAN/WAN)
- Data converter clocking
- Wireless base stations
- Test and measurement

### Description

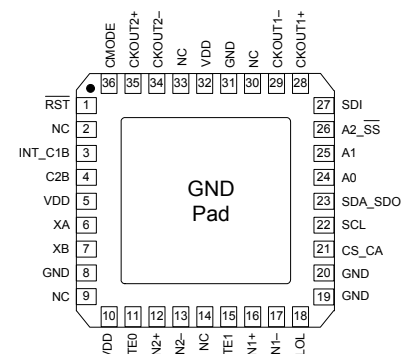
The Si5324 is a low-bandwidth, jitter-attenuating, precision clock multiplier for applications requiring sub 1 ps jitter performance with loop bandwidths between 4 Hz and 525 Hz. The Si5324 accepts two input clocks ranging from 2 kHz to 710 MHz and generates two output clocks ranging from 2 kHz to 945 MHz and select frequencies to 1.4 GHz. The two outputs are divided down separately from a common source. The Si5324 can also use its external reference as a clock source for frequency synthesis. The device provides virtually any frequency translation combination across this operating range. The Si5324 input clock frequency and clock multiplication ratio are programmable via an I<sup>2</sup>C or SPI interface. The Si5324 is based on Silicon Laboratories' 3rd-generation DSPLL<sup>®</sup> technology, which provides any-frequency synthesis and jitter attenuation in a highly integrated PLL solution that eliminates the need for external VCXO and filter components. The DSPLL loop bandwidth is digitally programmable, providing jitter performance optimization at the application level. The Si5324 is ideal for providing clock multiplication and jitter attenuation in high performance timing applications.



### Ordering Information:

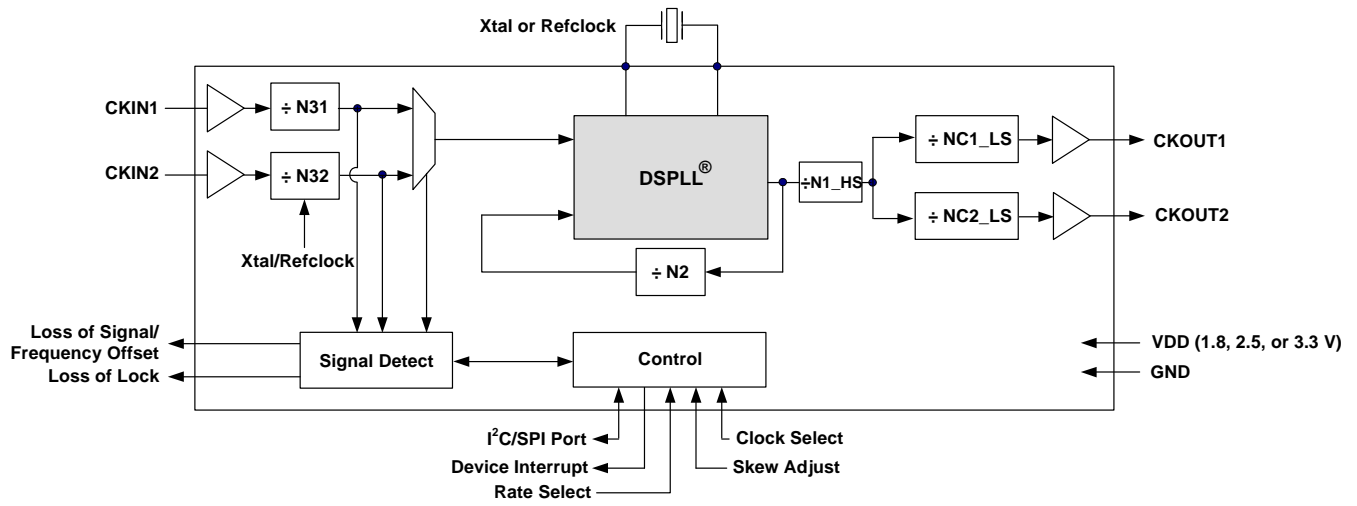
See page 64.

### Pin Assignments



# Si5324

## Functional Block Diagram



---

**TABLE OF CONTENTS**


---

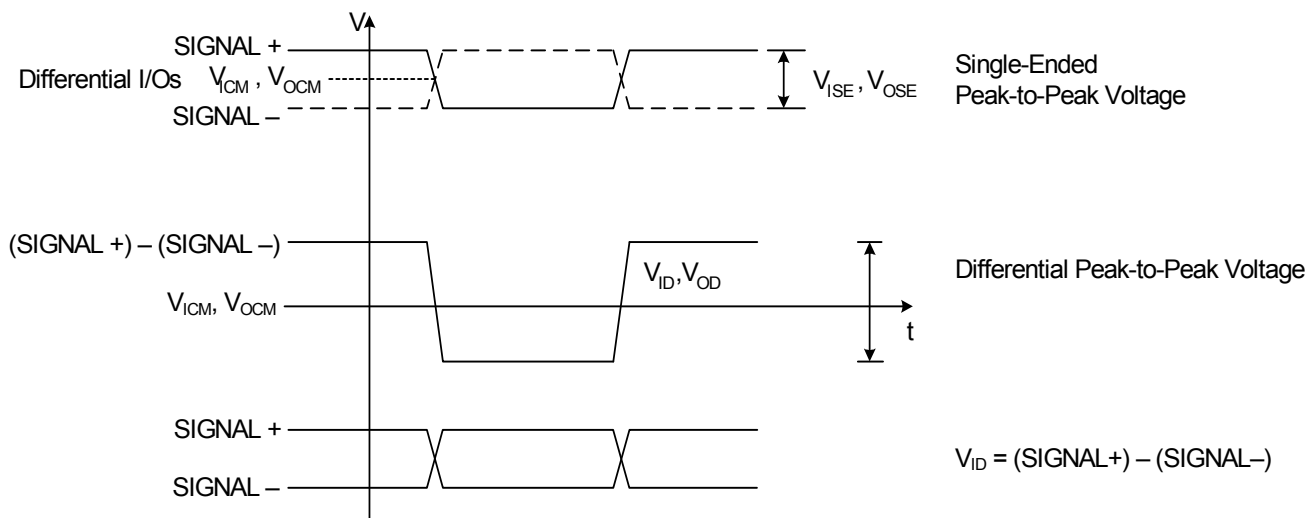
| <b><u>Section</u></b>                        | <b><u>Page</u></b> |
|--|--------------------|
| <b>1. Electrical Specifications</b> .....    | <b>4</b>           |
| <b>2. Typical Application Circuits</b> ..... | <b>17</b>          |
| <b>3. Functional Description</b> .....       | <b>19</b>          |
| 3.1. External Reference .....                | 20                 |
| 3.2. Additional Documentation .....          | 20                 |
| 3.3. Typical Phase Noise Performance .....   | 21                 |
| <b>4. Register Map</b> .....                 | <b>24</b>          |
| <b>5. Register Descriptions</b> .....        | <b>26</b>          |
| 5.1. ICAL .....                              | 59                 |
| <b>6. Pin Descriptions</b> .....             | <b>60</b>          |
| <b>7. Ordering Guide</b> .....               | <b>64</b>          |
| <b>8. Package Outline: 36-Pin QFN</b> .....  | <b>67</b>          |
| <b>9. PCB Land Pattern</b> .....             | <b>68</b>          |
| <b>10. Top Marking</b> .....                 | <b>70</b>          |
| 10.1. Si5324 Top Marking (QFN) .....         | 70                 |
| 10.2. Top Marking Explanation .....          | 70                 |
| <b>Document Change List</b> .....            | <b>71</b>          |
| <b>Contact Information</b> .....             | <b>72</b>          |

## 1. Electrical Specifications

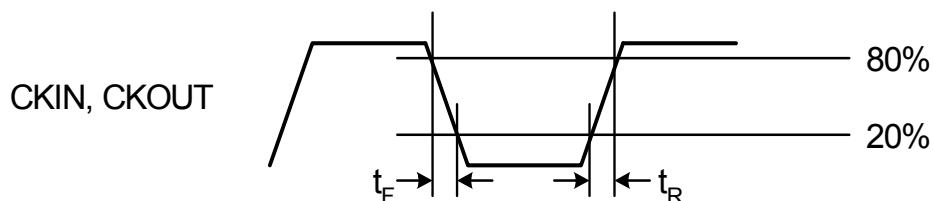
**Table 1. Recommended Operating Conditions**

| Parameter                              | Symbol   | Test Condition | Min  | Typ | Max  | Unit |
|--|----------|----------------|------|-----|------|------|
| Ambient Temperature                    | $T_A$    |                | -40  | 25  | 85   | °C   |
| Supply Voltage during Normal Operation | $V_{DD}$ | 3.3 V Nominal  | 2.97 | 3.3 | 3.63 | V    |
|  |          | 2.5 V Nominal  | 2.25 | 2.5 | 2.75 | V    |
|  |          | 1.8 V Nominal  | 1.71 | 1.8 | 1.89 | V    |

**Note:** All minimum and maximum specifications are guaranteed and apply across the recommended operating conditions. Typical values apply at nominal supply voltages and an operating temperature of 25 °C unless otherwise stated.



**Figure 1. Differential Voltage Characteristics**



**Figure 2. Rise/Fall Time Characteristics**

**Table 2. DC Characteristics** $(V_{DD} = 1.8 \pm 5\%, 2.5 \pm 10\%, \text{ or } 3.3 \text{ V} \pm 10\%, T_A = -40 \text{ to } 85 \text{ }^\circ\text{C})$ 

| Parameter   | Symbol      | Test Condition   | Min  | Typ | Max  | Unit       |
|---|-------------|--|------|-----|------|------------|
| Supply Current <sup>1</sup>   | $I_{DD}$    | LVPECL Format<br>622.08 MHz Out<br>Both CKOUTs Enabled | —    | 251 | 279  | mA         |
|   |             | LVPECL Format<br>622.08 MHz Out<br>1 CKOUT Enabled     | —    | 217 | 243  | mA         |
|   |             | CMOS Format<br>19.44 MHz Out<br>Both CKOUTs Enabled    | —    | 204 | 234  | mA         |
|   |             | CMOS Format<br>19.44 MHz Out<br>1 CKOUT Enabled        | —    | 194 | 220  | mA         |
|   |             | Disable Mode   | —    | 165 | —    | mA         |
| <b>CKINn Input Pins<sup>2</sup></b>   |             |  |      |     |      |            |
| Input Common Mode Voltage (Input Threshold Voltage)   | $V_{ICM}$   | 1.8 V $\pm$ 5%   | 0.9  | —   | 1.4  | V          |
|   |             | 2.5 V $\pm$ 10%  | 1    | —   | 1.7  | V          |
|   |             | 3.3 V $\pm$ 10%  | 1.1  | —   | 1.95 | V          |
| Input Resistance  | $CKN_{RIN}$ | Single-ended   | 20   | 40  | 60   | k $\Omega$ |
| Single-Ended Input Voltage Swing (See Absolute Specs)   | $V_{ISE}$   | $f_{CKIN} < 212.5 \text{ MHz}$<br>See Figure 1.        | 0.2  | —   | —    | $V_{PP}$   |
|   |             | $f_{CKIN} > 212.5 \text{ MHz}$<br>See Figure 1.        | 0.25 | —   | —    | $V_{PP}$   |
| Differential Input Voltage Swing (See Absolute Specs)   | $V_{ID}$    | $f_{CKIN} < 212.5 \text{ MHz}$<br>See Figure 1.        | 0.2  | —   | —    | $V_{PP}$   |
|   |             | $f_{CKIN} > 212.5 \text{ MHz}$<br>See Figure 1.        | 0.25 | —   | —    | $V_{PP}$   |
| <b>Notes:</b>   |             |  |      |     |      |            |
| 1. Current draw is independent of supply voltage  |             |  |      |     |      |            |
| 2. No under- or overshoot is allowed.   |             |  |      |     |      |            |
| 3. LVPECL outputs require nominal $V_{DD} \geq 2.5 \text{ V}$ .   |             |  |      |     |      |            |
| 4. This is the amount of leakage that the 3-Level inputs can tolerate from an external driver. See Si53xx Family Reference Manual for more details. |             |  |      |     |      |            |
| 5. LVPECL, CML, LVDS and low-swing LVDS measured with $F_o = 622.08 \text{ MHz}$ .  |             |  |      |     |      |            |

**Table 2. DC Characteristics (Continued)**

( $V_{DD} = 1.8 \pm 5\%$ ,  $2.5 \pm 10\%$ , or  $3.3 \text{ V} \pm 10\%$ ,  $T_A = -40$  to  $85 \text{ }^\circ\text{C}$ )

| Parameter   | Symbol        | Test Condition                                | Min                 | Typ             | Max             | Unit      |
|---|---------------|---|---------------------|-----------------|-----------------|-----------|
| <b>Output Clocks (CKOUTn)<sup>3,5</sup></b>   |               |   |                     |                 |                 |           |
| Common Mode   | $CKO_{VCM}$   | LVPECL 100 $\Omega$ load line-to-line         | $V_{DD} - 1.42$     | —               | $V_{DD} - 1.25$ | V         |
| Differential Output Swing   | $CKO_{VD}$    | LVPECL 100 $\Omega$ load line-to-line         | 1.1                 | —               | 1.9             | $V_{PP}$  |
| Single Ended Output Swing   | $CKO_{VSE}$   | LVPECL 100 $\Omega$ load line-to-line         | 0.5                 | —               | 0.93            | $V_{PP}$  |
| Differential Output Voltage   | $CKO_{VD}$    | CML 100 $\Omega$ load line-to-line            | 350                 | 425             | 500             | $mV_{PP}$ |
| Common Mode Output Voltage  | $CKO_{VCM}$   | CML 100 $\Omega$ load line-to-line            | —                   | $V_{DD} - 0.36$ | —               | V         |
| Differential Output Voltage   | $CKO_{VD}$    | LVDS 100 $\Omega$ load line-to-line           | 500                 | 700             | 900             | $mV_{PP}$ |
|   |               | Low Swing LVDS 100 $\Omega$ load line-to-line | 350                 | 425             | 500             | $mV_{PP}$ |
| Common Mode Output Voltage  | $CKO_{VCM}$   | LVDS 100 $\Omega$ load line-to-line           | 1.125               | 1.2             | 1.275           | V         |
| Differential Output Resistance  | $CKO_{RD}$    | CML, LVPECL, LVDS                             | —                   | 200             | —               | $\Omega$  |
| Output Voltage Low  | $CKO_{VOLLH}$ | CMOS  | —                   | —               | 0.4             | V         |
| Output Voltage High   | $CKO_{VOHLH}$ | $V_{DD} = 1.71 \text{ V}$<br>CMOS             | $0.8 \times V_{DD}$ | —               | —               | V         |
| <b>Notes:</b>   |               |   |                     |                 |                 |           |
| 1. Current draw is independent of supply voltage  |               |   |                     |                 |                 |           |
| 2. No under- or overshoot is allowed.   |               |   |                     |                 |                 |           |
| 3. LVPECL outputs require nominal $V_{DD} \geq 2.5 \text{ V}$ .   |               |   |                     |                 |                 |           |
| 4. This is the amount of leakage that the 3-Level inputs can tolerate from an external driver. See Si53xx Family Reference Manual for more details. |               |   |                     |                 |                 |           |
| 5. LVPECL, CML, LVDS and low-swing LVDS measured with $F_o = 622.08 \text{ MHz}$ .  |               |   |                     |                 |                 |           |

**Table 2. DC Characteristics (Continued)** $(V_{DD} = 1.8 \pm 5\%, 2.5 \pm 10\%, \text{ or } 3.3 \text{ V} \pm 10\%, T_A = -40 \text{ to } 85 \text{ }^\circ\text{C})$ 

| Parameter  | Symbol            | Test Condition                             | Min | Typ  | Max | Unit |
|--|-------------------|--|-----|------|-----|------|
| Output Drive Current (CMOS driving into CKO <sub>VOL</sub> for output low or CKO <sub>VOH</sub> for output high. CKOUT+ and CKOUT– shorted externally)   | CKO <sub>IO</sub> | ICMOS[1:0] = 11<br>V <sub>DD</sub> = 1.8 V | —   | 7.5  | —   | mA   |
|  |                   | ICMOS[1:0] = 10<br>V <sub>DD</sub> = 1.8 V | —   | 5.5  | —   | mA   |
|  |                   | ICMOS[1:0] = 01<br>V <sub>DD</sub> = 1.8 V | —   | 3.5  | —   | mA   |
|  |                   | ICMOS[1:0] = 00<br>V <sub>DD</sub> = 1.8 V | —   | 1.75 | —   | mA   |
|  |                   | ICMOS[1:0] = 11<br>V <sub>DD</sub> = 3.3 V | —   | 32   | —   | mA   |
|  |                   | ICMOS[1:0] = 10<br>V <sub>DD</sub> = 3.3 V | —   | 24   | —   | mA   |
|  |                   | ICMOS[1:0] = 01<br>V <sub>DD</sub> = 3.3 V | —   | 16   | —   | mA   |
|  |                   | ICMOS[1:0] = 00<br>V <sub>DD</sub> = 3.3 V | —   | 8    | —   | mA   |
| <b>2-Level LVCMOS Input Pins</b>   |                   |  |     |      |     |      |
| Input Voltage Low  | V <sub>IL</sub>   | V <sub>DD</sub> = 1.71 V                   | —   | —    | 0.5 | V    |
|  |                   | V <sub>DD</sub> = 2.25 V                   | —   | —    | 0.7 | V    |
|  |                   | V <sub>DD</sub> = 2.97 V                   | —   | —    | 0.8 | V    |
| Input Voltage High   | V <sub>IH</sub>   | V <sub>DD</sub> = 1.89 V                   | 1.4 | —    | —   | V    |
|  |                   | V <sub>DD</sub> = 2.25 V                   | 1.8 | —    | —   | V    |
|  |                   | V <sub>DD</sub> = 3.63 V                   | 2.5 | —    | —   | V    |
| <b>Notes:</b>  |                   |  |     |      |     |      |
| <ol style="list-style-type: none"> <li>1. Current draw is independent of supply voltage</li> <li>2. No under- or overshoot is allowed.</li> <li>3. LVPECL outputs require nominal V<sub>DD</sub> ≥ 2.5 V.</li> <li>4. This is the amount of leakage that the 3-Level inputs can tolerate from an external driver. See Si53xx Family Reference Manual for more details.</li> <li>5. LVPECL, CML, LVDS and low-swing LVDS measured with F<sub>o</sub> = 622.08 MHz.</li> </ol> |                   |  |     |      |     |      |

**Table 2. DC Characteristics (Continued)**

( $V_{DD} = 1.8 \pm 5\%$ ,  $2.5 \pm 10\%$ , or  $3.3 \text{ V} \pm 10\%$ ,  $T_A = -40$  to  $85 \text{ }^\circ\text{C}$ )

| Parameter   | Symbol    | Test Condition                                     | Min                  | Typ | Max                  | Unit          |
|---|-----------|--|----------------------|-----|----------------------|---------------|
| <b>3-Level Input Pins<sup>4</sup></b>   |           |  |                      |     |                      |               |
| Input Voltage Low   | $V_{ILL}$ |  | —                    | —   | $0.15 \times V_{DD}$ | V             |
| Input Voltage Mid   | $V_{IMM}$ |  | $0.45 \times V_{DD}$ | —   | $0.55 \times V_{DD}$ | V             |
| Input Voltage High  | $V_{IHH}$ |  | $0.85 \times V_{DD}$ | —   | —                    | V             |
| Input Low Current   | $I_{ILL}$ | See Note 4   | -20                  | —   | —                    | $\mu\text{A}$ |
| Input Mid Current   | $I_{IMM}$ | See Note 4   | -2                   | —   | +2                   | $\mu\text{A}$ |
| Input High Current  | $I_{IHH}$ | See Note 4   | —                    | —   | 20                   | $\mu\text{A}$ |
| <b>LVC MOS Output Pins</b>  |           |  |                      |     |                      |               |
| Output Voltage Low  | $V_{OL}$  | $I_O = 2 \text{ mA}$<br>$V_{DD} = 1.71 \text{ V}$  | —                    | —   | 0.4                  | V             |
| Output Voltage Low  |           | $I_O = 2 \text{ mA}$<br>$V_{DD} = 2.97 \text{ V}$  | —                    | —   | 0.4                  | V             |
| Output Voltage High   | $V_{OH}$  | $I_O = -2 \text{ mA}$<br>$V_{DD} = 1.71 \text{ V}$ | $V_{DD} - 0.4$       | —   | —                    | V             |
| Output Voltage High   |           | $I_O = -2 \text{ mA}$<br>$V_{DD} = 2.97 \text{ V}$ | $V_{DD} - 0.4$       | —   | —                    | V             |
| <b>Notes:</b>   |           |  |                      |     |                      |               |
| <ol style="list-style-type: none"> <li>1. Current draw is independent of supply voltage</li> <li>2. No under- or overshoot is allowed.</li> <li>3. LVPECL outputs require nominal <math>V_{DD} \geq 2.5 \text{ V}</math>.</li> <li>4. This is the amount of leakage that the 3-Level inputs can tolerate from an external driver. See Si53xx Family Reference Manual for more details.</li> <li>5. LVPECL, CML, LVDS and low-swing LVDS measured with <math>F_o = 622.08 \text{ MHz}</math>.</li> </ol> |           |  |                      |     |                      |               |



**Table 3. AC Characteristics** $(V_{DD} = 1.8 \pm 5\%, 2.5 \pm 10\%, \text{ or } 3.3 \text{ V} \pm 10\%, T_A = -40 \text{ to } 85 \text{ }^\circ\text{C})$ 

| Parameter   | Symbol        | Test Condition  | Min   | Typ | Max   | Unit       |
|---|---------------|---|-------|-----|-------|------------|
| <b>Single-Ended Reference Clock Input Pin XA (XB with cap to GND)</b>   |               |   |       |     |       |            |
| Input Resistance  | $XA_{RIN}$    | RATE[1:0] = LM, ML, MH, or HM, ac coupled   | —     | 12  | —     | k $\Omega$ |
| Input Voltage Swing   | $XA_{VPP}$    | RATE[1:0] = LM, ML, MH, or HM, ac coupled   | 0.5   | —   | 1.2   | $V_{PP}$   |
| <b>Differential Reference Clock Input Pins (XA/XB)</b>  |               |   |       |     |       |            |
| Input Voltage Swing   | $XA/XB_{VPP}$ | RATE[1:0] = LM, ML, MH, or HM   | 0.5   | —   | 2.4   | $V_{PP}$   |
| <b>CKINn Input Pins</b>   |               |   |       |     |       |            |
| Input Frequency   | $CKN_F$       |   | 0.002 | —   | 710   | MHz        |
| Input Duty Cycle<br>(Minimum Pulse Width)   | $CKN_{DC}$    | Whichever is smaller (i.e., the 40% / 60% limitation applies only to high frequency clocks) | 40    | —   | 60    | %          |
|   |               |   | 2     | —   | —     | ns         |
| Input Capacitance   | $CKN_{CIN}$   |   | —     | —   | 3     | pF         |
| Input Rise/Fall Time  | $CKN_{TRF}$   | 20–80%<br>See Figure 2  | —     | —   | 11    | ns         |
| <b>CKOUTn Output Pins</b>   |               |   |       |     |       |            |
| (See ordering section for speed grade vs frequency limits)  |               |   |       |     |       |            |
| Output Frequency<br>(Output not configured for CMOS or Disabled)  | $CKO_F$       | $N1 \geq 6$   | 0.002 | —   | 945   | MHz        |
|   |               | $N1 = 5$  | 970   | —   | 1134  | MHz        |
|   |               | $N1 = 4$  | 1.213 | —   | 1.4   | GHz        |
| Maximum Output Frequency in CMOS Format   | $CKO_F$       |   | —     | —   | 212.5 | MHz        |
| <b>Notes:</b>   |               |   |       |     |       |            |
| 1. Input to output phase skew after an ICAL is not controlled and can assume any value.   |               |   |       |     |       |            |
| 2. Lock and settle time performance is dependent on the frequency plan, the XAXB reference frequency, and LOCKT setting (see application note, "AN803: Lock and Settling Time Considerations for Si5324/27/69/74 Any-Frequency Jitter Attenuating Clock ICs". Visit the Silicon Labs Technical Support web page at: <a href="https://www.silabs.com/support/pages/contacttechnicalsupport.aspx">https://www.silabs.com/support/pages/contacttechnicalsupport.aspx</a> to submit a technical support request regarding the lock time of your frequency plan. |               |   |       |     |       |            |
| 3. LOCKT = 3.3 ms   |               |   |       |     |       |            |

**Table 3. AC Characteristics (Continued)**(V<sub>DD</sub> = 1.8 ± 5%, 2.5 ± 10%, or 3.3 V ± 10%, T<sub>A</sub> = -40 to 85 °C)

| Parameter   | Symbol              | Test Condition   | Min | Typ | Max      | Unit              |
|---|---------------------|--|-----|-----|----------|-------------------|
| Output Rise/Fall (20–80 %) @ 622.08 MHz output  | CKO <sub>TRF</sub>  | Output not configured for CMOS or Disabled<br>See Figure 2                             | —   | 230 | 350      | ps                |
| Output Rise/Fall (20–80%) @ 212.5 MHz output  | CKO <sub>TRF</sub>  | CMOS Output<br>V <sub>DD</sub> = 1.71<br>C <sub>LOAD</sub> = 5 pF                      | —   | —   | 8        | ns                |
| Output Rise/Fall (20–80%) @ 212.5 MHz output  | CKO <sub>TRF</sub>  | CMOS Output<br>V <sub>DD</sub> = 2.97<br>C <sub>LOAD</sub> = 5 pF                      | —   | —   | 2        | ns                |
| Output Duty Cycle Uncertainty @ 622.08 MHz  | CKO <sub>DC</sub>   | 100 Ω Load<br>Line-to-Line<br>Measured at 50% Point<br>(Not for CMOS)                  | —   | —   | +/-40    | ps                |
| <b>LVC MOS Input Pins</b>   |                     |  |     |     |          |                   |
| Minimum Reset Pulse Width   | t <sub>RSTMN</sub>  |  | 1   |     |          | μs                |
| Reset to Microprocessor Access Ready  | t <sub>READY</sub>  |  |     |     | 10       | ms                |
| <b>LVC MOS Output Pins</b>  |                     |  |     |     |          |                   |
| Rise/Fall Times   | t <sub>RF</sub>     | C <sub>LOAD</sub> = 20pf<br>See Figure 2   | —   | 25  | —        | ns                |
| LOS <sub>n</sub> Trigger Window   | LOS <sub>TRIG</sub> | From last CKIN <sub>n</sub> ↑ to ↓<br>Internal detection of LOS <sub>n</sub><br>N3 ≠ 1 | —   | —   | 4.5 x N3 | T <sub>CKIN</sub> |
| Time to Clear LOL after LOS Cleared   | t <sub>CLRLOL</sub> | ↓LOS to ↓LOL<br>Fold = F <sub>new</sub><br>Stable Xa/XB reference                      | —   | 10  | —        | ms                |
| <b>Notes:</b>   |                     |  |     |     |          |                   |
| 1. Input to output phase skew after an ICAL is not controlled and can assume any value.   |                     |  |     |     |          |                   |
| 2. Lock and settle time performance is dependent on the frequency plan, the XAXB reference frequency, and LOCKT setting (see application note, "AN803: Lock and Settling Time Considerations for Si5324/27/69/74 Any-Frequency Jitter Attenuating Clock ICs". Visit the Silicon Labs Technical Support web page at: <a href="https://www.silabs.com/support/pages/contacttechnicalsupport.aspx">https://www.silabs.com/support/pages/contacttechnicalsupport.aspx</a> to submit a technical support request regarding the lock time of your frequency plan. |                     |  |     |     |          |                   |
| 3. LOCKT = 3.3 ms   |                     |  |     |     |          |                   |

**Table 3. AC Characteristics (Continued)**(V<sub>DD</sub> = 1.8 ± 5%, 2.5 ± 10%, or 3.3 V ± 10%, T<sub>A</sub> = -40 to 85 °C)

| Parameter  | Symbol              | Test Condition  | Min     | Typ  | Max | Unit     |
|--|---------------------|---|---------|------|-----|----------|
| <b>Device Skew</b>   |                     |   |         |      |     |          |
| Output Clock Skew  | t <sub>SKEW</sub>   | ↑ of CKOUT <sub>n</sub> to ↑ of CKOUT <sub>m</sub> , CKOUT <sub>n</sub> and CKOUT <sub>m</sub> at same frequency and signal format<br>PHASEOFFSET = 0<br>CKOUT_ALWAYS_ON = 1<br>SQ_ICAL = 1 | —       | —    | 100 | ps       |
| Phase Change due to Temperature Variation <sup>1</sup>                                     | t <sub>TEMP</sub>   | Max phase changes from -40 to +85 °C  | —       | 300  | 500 | ps       |
| <b>PLL Performance</b><br>(fin = fout = 622.08 MHz; BW = 7 Hz; LVPECL, XAXB = 114.285 MHz) |                     |   |         |      |     |          |
| Lock Time <sup>2</sup><br>Si5324E-C-GM <sup>3</sup>  | t <sub>LOCKMP</sub> | Start of ICAL to ↓ of LOL   | —       | 1    | 1.5 | s        |
| Si5324A/B/C/D-C-GM   |                     |   | —       | 0.8  | 1.0 |          |
| Settle Time <sup>2</sup><br>Si5324E-C-GM   | t <sub>SETTLE</sub> | Start of ICAL to Fout within 5 ppm of final value   | —       | 1.2  | 1.5 | s        |
| Si5324A/B/C/D-C-GM   |                     |   | —       | 4.2  | 5.0 |          |
| Output Clock Phase Change  | t <sub>P_STEP</sub> | After clock switch<br>f3 ≥ 128 kHz  | —       | 200  | —   | ps       |
| Closed Loop Jitter Peaking   | J <sub>PK</sub>     |   | —       | 0.05 | 0.1 | dB       |
| Jitter Tolerance   | J <sub>TOL</sub>    | Jitter Frequency ≥ Loop Bandwidth   | 5000/BW | —    | —   | ns pk-pk |

**Notes:**

1. Input to output phase skew after an ICAL is not controlled and can assume any value.
2. Lock and settle time performance is dependent on the frequency plan, the XAXB reference frequency, and LOCKT setting (see application note, "AN803: Lock and Settling Time Considerations for Si5324/27/69/74 Any-Frequency Jitter Attenuating Clock ICs". Visit the Silicon Labs Technical Support web page at: <https://www.silabs.com/support/pages/contacttechnicalsupport.aspx> to submit a technical support request regarding the lock time of your frequency plan.
3. LOCKT = 3.3 ms

**Table 3. AC Characteristics (Continued)**(V<sub>DD</sub> = 1.8 ± 5%, 2.5 ± 10%, or 3.3 V ± 10%, T<sub>A</sub> = -40 to 85 °C)

| Parameter                                    | Symbol             | Test Condition                                 | Min | Typ  | Max | Unit   |
|--|--------------------|--|-----|------|-----|--------|
| Phase Noise<br>f <sub>out</sub> = 622.08 MHz | CKO <sub>PN</sub>  | 100 Hz Offset                                  | —   | -90  | —   | dBc/Hz |
|  |                    | 1 kHz Offset                                   | —   | -106 | —   | dBc/Hz |
|  |                    | 10 kHz Offset                                  | —   | -121 | —   | dBc/Hz |
|  |                    | 100 kHz Offset                                 | —   | -132 | —   | dBc/Hz |
|  |                    | 1 MHz Offset                                   | —   | -132 | —   | dBc/Hz |
| Subharmonic Noise                            | SP <sub>SUBH</sub> | Phase Noise @ 100 kHz Offset                   | —   | -88  | -76 | dBc    |
| Spurious Noise                               | SP <sub>SPUR</sub> | Max spur @ n x F3<br>(n ≥ 1, n x F3 < 100 MHz) | —   | -93  | -70 | dBc    |

**Notes:**

1. Input to output phase skew after an ICAL is not controlled and can assume any value.
2. Lock and settle time performance is dependent on the frequency plan, the XAXB reference frequency, and LOCKT setting (see application note, "AN803: Lock and Settling Time Considerations for Si5324/27/69/74 Any-Frequency Jitter Attenuating Clock ICs". Visit the Silicon Labs Technical Support web page at: <https://www.silabs.com/support/pages/contacttechnicalsupport.aspx> to submit a technical support request regarding the lock time of your frequency plan.
3. LOCKT = 3.3 ms

**Table 4. Microprocessor Control** $(V_{DD} = 1.8 \pm 5\%, 2.5 \pm 10\%, \text{ or } 3.3 \text{ V} \pm 10\%, T_A = -40 \text{ to } 85 \text{ }^\circ\text{C})$ 

| Parameter                                  | Symbol          | Test Condition   | Min                  | Typ | Max                  | Unit |
|--|-----------------|--|----------------------|-----|----------------------|------|
| <b>I<sup>2</sup>C Bus Lines (SDA, SCL)</b> |                 |  |                      |     |                      |      |
| Input Voltage Low                          | $V_{IL_{I2C}}$  |  | —                    | —   | $0.25 \times V_{DD}$ | V    |
| Input Voltage High                         | $V_{IH_{I2C}}$  |  | $0.7 \times V_{DD}$  | —   | $V_{DD}$             | V    |
| Hysteresis of Schmitt trigger inputs       | $V_{HYS_{I2C}}$ | $V_{DD} = 1.8\text{V}$   | $0.1 \times V_{DD}$  | —   | —                    | V    |
|  |                 | $V_{DD} = 2.5 \text{ or } 3.3 \text{ V}$                         | $0.05 \times V_{DD}$ | —   | —                    | V    |
| Output Voltage Low                         | $V_{OL_{I2C}}$  | $V_{DD} = 1.8 \text{ V}$<br>$I_O = 3 \text{ mA}$                 | —                    | —   | $0.2 \times V_{DD}$  | V    |
|  |                 | $V_{DD} = 2.5 \text{ or } 3.3 \text{ V}$<br>$I_O = 3 \text{ mA}$ | —                    | —   | 0.4                  | V    |

**Table 4. Microprocessor Control (Continued)**

( $V_{DD} = 1.8 \pm 5\%$ ,  $2.5 \pm 10\%$ , or  $3.3 V \pm 10\%$ ,  $T_A = -40$  to  $85\text{ }^\circ\text{C}$ )

| Parameter                               | Symbol    | Test Condition | Min | Typ | Max | Unit |
|---|-----------|----------------|-----|-----|-----|------|
| <b>SPI Specifications</b>               |           |                |     |     |     |      |
| Duty Cycle, SCLK                        | $t_{DC}$  | SCLK = 10 MHz  | 40  | —   | 60  | %    |
| Cycle Time, SCLK                        | $t_c$     |                | 100 | —   | —   | ns   |
| Rise Time, SCLK                         | $t_r$     | 20–80%         | —   | —   | 25  | ns   |
| Fall Time, SCLK                         | $t_f$     | 20–80%         | —   | —   | 25  | ns   |
| Low Time, SCLK                          | $t_{lsc}$ | 20–20%         | 30  | —   | —   | ns   |
| High Time, SCLK                         | $t_{hsc}$ | 80–80%         | 30  | —   | —   | ns   |
| Delay Time, SCLK Fall to SDO Active     | $t_{d1}$  |                | —   | —   | 25  | ns   |
| Delay Time, SCLK Fall to SDO Transition | $t_{d2}$  |                | —   | —   | 25  | ns   |
| Delay Time, SS Rise to SDO Tri-state    | $t_{d3}$  |                | —   | —   | 25  | ns   |
| Setup Time, SS to SCLK Fall             | $t_{su1}$ |                | 25  | —   | —   | ns   |
| Hold Time, SS to SCLK Rise              | $t_{h1}$  |                | 20  | —   | —   | ns   |
| Setup Time, SDI to SCLK Rise            | $t_{su2}$ |                | 25  | —   | —   | ns   |
| Hold Time, SDI to SCLK Rise             | $t_{h2}$  |                | 20  | —   | —   | ns   |
| Delay Time between Slave Selects        | $t_{cs}$  |                | 25  | —   | —   | ns   |

Table 5. Jitter Generation

| Parameter         | Symbol | Test Condition*    |                       | Min | Typ | Max  | GR-253-Specification | Unit              |
|-------------------|--------|--------------------|-----------------------|-----|-----|------|----------------------|-------------------|
|                   |        | Measurement Filter | DSPLL BW <sup>2</sup> |     |     |      |                      |                   |
| Jitter Gen OC-192 | JGEN   | 0.02–80 MHz        | 120 Hz                | —   | 4.2 | 6.2  | 30                   | ps <sub>pp</sub>  |
|                   |        |                    |                       | —   | .27 | .42  | N/A                  | ps <sub>rms</sub> |
|                   |        | 4–80 MHz           | 120 Hz                | —   | 3.7 | 6.4  | 10                   | ps <sub>pp</sub>  |
|                   |        |                    |                       | —   | .14 | 0.31 | N/A                  | ps <sub>rms</sub> |
|                   |        | 0.05–80 MHz        | 120 Hz                | —   | 4.4 | 6.9  | 10                   | ps <sub>pp</sub>  |
|                   |        |                    |                       | —   | .26 | 0.41 | 1.0                  | ps <sub>rms</sub> |
| Jitter Gen OC-48  | JGEN   | 0.12–20 MHz        | 120 Hz                | —   | 3.5 | 5.4  | 40.2                 | ps <sub>pp</sub>  |
|                   |        |                    |                       | —   | .27 | 0.41 | 4.02                 | ps <sub>rms</sub> |

**\*Note:** Test conditions:  
1. f<sub>IN</sub> = f<sub>OUT</sub> = 622.08 MHz  
2. Clock input: LVPECL  
3. Clock output: LVPECL  
4. PLL bandwidth: 120 Hz  
5. 114.285 MHz 3rd OT crystal used as XA/XB input  
6. V<sub>DD</sub> = 2.5 V  
7. T<sub>A</sub> = 85 °C

Table 6. Thermal Characteristics

(V<sub>DD</sub> = 1.8 ±5%, 2.5 ±10%, or 3.3 V ±10%, T<sub>A</sub> = –40 to 85 °C)

| Parameter                              | Symbol          | Test Condition | Value | Unit |
|--|-----------------|----------------|-------|------|
| Thermal Resistance Junction to Ambient | θ <sub>JA</sub> | Still Air      | 32    | C°/W |
| Thermal Resistance Junction to Case    | θ <sub>JC</sub> | Still Air      | 14    | C°/W |

**Table 7. Absolute Maximum Ratings\***

| Parameter   | Symbol      | Test Condition | Min              | Typ | Max          | Unit |
|---|-------------|----------------|------------------|-----|--------------|------|
| DC Supply Voltage   | $V_{DD}$    |                | -0.5             | —   | 3.8          | V    |
| LVC MOS Input Voltage   | $V_{DIG}$   |                | -0.3             |     | $V_{DD}+0.3$ | V    |
| CKINn Voltage Level Limits  | $CKN_{VIN}$ |                | 0                | —   | $V_{DD}$     | V    |
| XA/XB Voltage Level Limits  | $XA_{VIN}$  |                | 0                | —   | 1.2          | V    |
| Operating Junction Temperature  | $T_{JCT}$   |                | -55              | —   | 150          | °C   |
| Storage Temperature Range   | $T_{STG}$   |                | -55              | —   | 150          | °C   |
| ESD HBM Tolerance<br>(100 pF, 1.5 kΩ); All pins except<br>CKIN+/CKIN-   |             |                | 2                | —   | —            | kV   |
| ESD MM Tolerance; All pins<br>except CKIN+/CKIN-  |             |                | 150              | —   | —            | V    |
| ESD HBM Tolerance<br>(100 pF, 1.5 kΩ); CKIN+/CKIN-  |             |                | 750              | —   | —            | V    |
| ESD MM Tolerance;<br>CKIN+/CKIN-  |             |                | 100              | —   | —            | V    |
| Latch-up Tolerance  |             |                | JESD78 Compliant |     |              |      |
| <p><b>*Note:</b> Permanent device damage may occur if the absolute maximum ratings are exceeded. Functional operation should be restricted to the conditions specified in the operation sections of this data sheet. Exposure to absolute maximum rating conditions for extended periods of time may affect device reliability.</p> |             |                |                  |     |              |      |



## 2. Typical Application Circuits

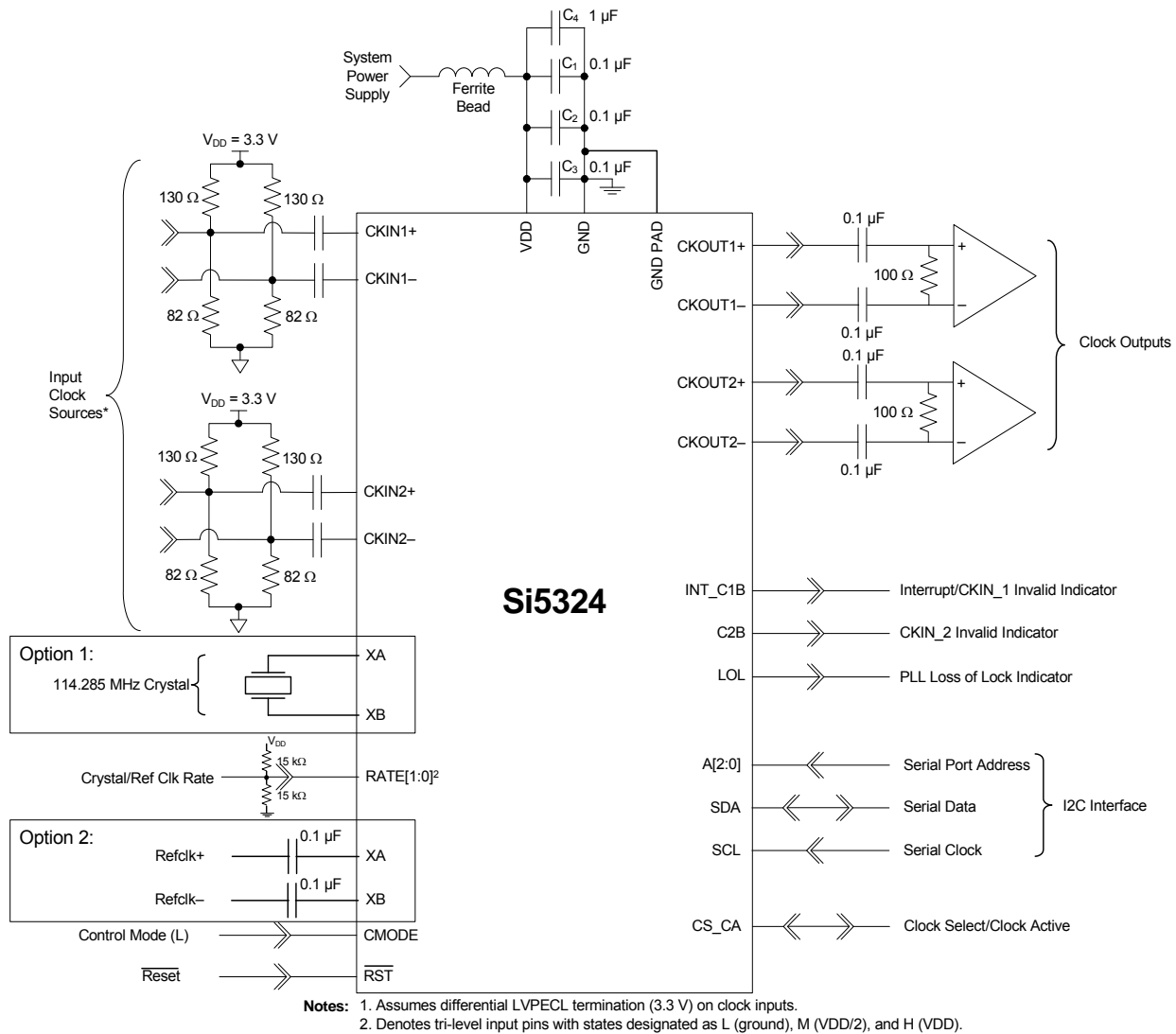
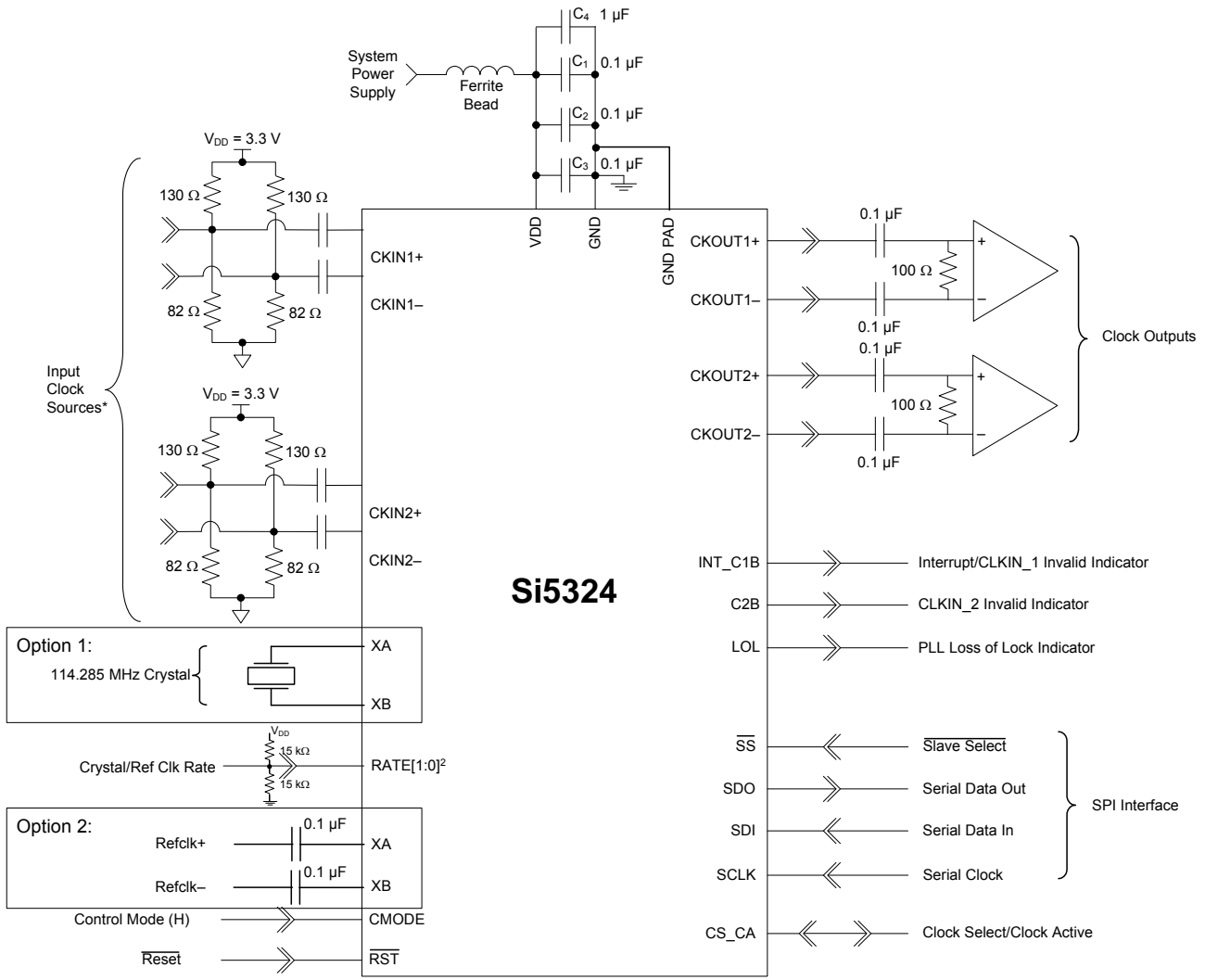


Figure 3. Si5324 Typical Application Circuit (I<sup>2</sup>C Control Mode)



**Notes:** 1. Assumes differential LVPECL termination (3.3 V) on clock inputs.  
 2. Denotes tri-level input pins with states designated as L (ground), M (VDD/2), and H (VDD).

**Figure 4. Si5324 Typical Application Circuit (SPI Control Mode)**

### 3. Functional Description

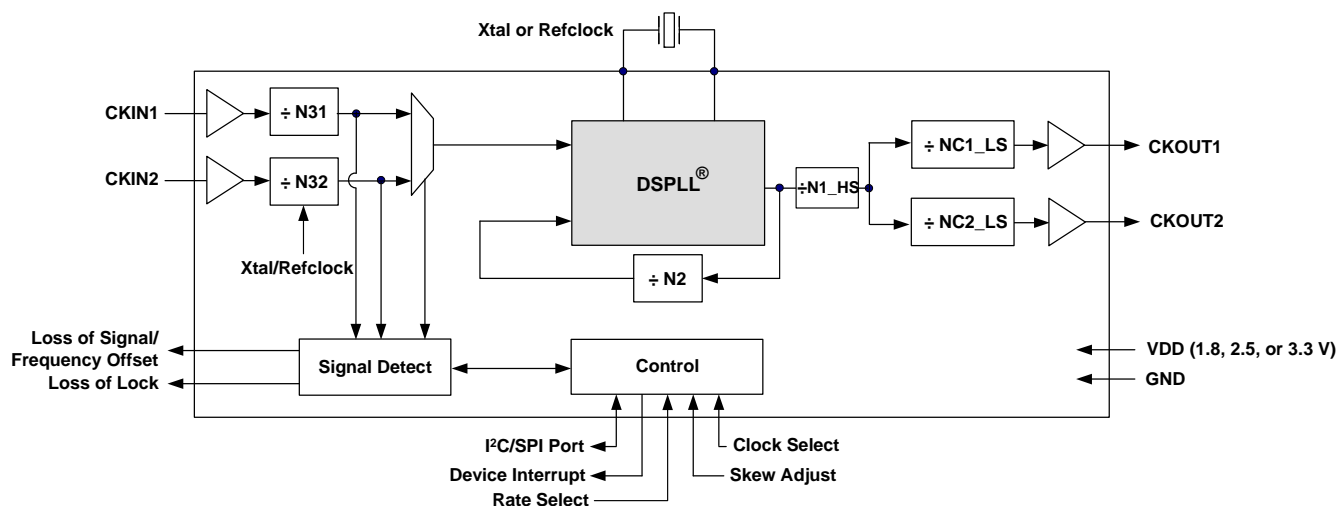


Figure 5. Si5324 Functional Block Diagram

The Si5324 is a low loop bandwidth, jitter-attenuating clock multiplier for high performance applications. The Si5324 accepts two input clocks ranging from 2 kHz to 710 MHz and generates two output clocks ranging from 2 kHz to 945 MHz and select frequencies to 1.4 GHz. The Si5324 can also use its external reference as a clock source for frequency synthesis. The device provides virtually any frequency translation combination across this operating range. Independent dividers are available for each input clock and output clock, so the Si5324 can accept input clocks at different frequencies and it can generate output clocks at different frequencies. The Si5324 input clock frequency and clock multiplication ratio are programmable through an I<sup>2</sup>C or SPI interface. Silicon Laboratories offers a PC-based software utility, *DSPLLsim*, that can be used to determine the optimum PLL divider settings for a given input frequency/clock multiplication ratio combination that minimizes phase noise and power consumption. This utility can be downloaded from <http://www.silabs.com/timing>.

The Si5324 is based on Silicon Laboratories' 3rd-generation DSPLL<sup>®</sup> technology, which provides any-frequency synthesis and jitter attenuation in a highly integrated PLL solution that eliminates the need for external VCXO and loop filter components. The Si5324 PLL loop bandwidth is digitally programmable and supports a range from 4 Hz to 525 Hz. A fast lock feature is available to reduce lock times inherent with low loop bandwidth PLLs. The *DSPLLsim* software utility can be used to calculate valid loop bandwidth settings for a given input clock frequency/clock multiplication ratio.

The Si5324 supports hitless switching between the two synchronous input clocks in compliance with Telcordia GR-253-CORE that greatly minimizes the propagation of phase transients to the clock outputs during an input clock transition (maximum 200 ps phase change). Manual and automatic revertive and non-revertive input clock switching options are available. The Si5324 monitors both input clocks for loss-of-signal (LOS) and provides a LOS alarm when it detects missing pulses on either input clock. The device monitors the lock status of the PLL. The lock detect algorithm works by continuously monitoring the phase of the input clock in relation to the phase of the feedback clock. Due to the low loop bandwidth of the part, the LOL indicator clears before the loop fully settles (see "AN803: Lock and Settling Time Considerations for Si5324/27/69/74 Any-Frequency Jitter Attenuating Clock ICs" for additional details).

The Si5324 also monitors frequency offset alarms (FOS), which indicate if an input clock is within a specified frequency ppm accuracy relative to the frequency of an XA/XB reference clock. Both Stratum 3/3E and SONET Minimum Clock (SMC) FOS thresholds are supported.

The Si5324 provides a digital hold capability that allows the device to continue generation of a stable output clock when the selected input reference is lost. During digital hold, the DSPLL generates an output frequency based on a historical average frequency that existed a fixed amount of time before the error event occurred, eliminating the effects of phase and frequency transients that may occur immediately preceding digital hold.

The Si5324 has two differential clock outputs. The signal format of each clock output is independently programmable to support LVPECL, LVDS, CML, or CMOS loads. When configured for CMOS, four clock outputs are available. If not required, the second clock output can be powered down to minimize power consumption. In addition, the phase of one output clock may be adjusted in relation to the phase of the other output clock. The resolution varies from 800 ps to 2.2 ns depending on the PLL divider settings. The *DSPLLsim* software utility determines the phase offset resolution for a given combination of input clock and multiplication ratio. For system-level debugging, a bypass mode is available which drives the output clock directly from the input clock, bypassing the internal DSPLL. The device is powered by a single 1.8, 2.5, or 3.3 V supply with best-in-class PSNR.

### 3.1. External Reference

An external, high quality 38.88 MHz clock or a low-cost 114.285 MHz 3rd overtone crystal or external reference is used as part of a fixed-frequency oscillator within the DSPLL. This external reference is required for the device to perform jitter attenuation. Specific recommendations can be found in the Family Reference Manual.

In digital hold, the DSPLL remains locked and tracks the external reference. Note that crystals can have temperature sensitivities.

Due to the low bandwidth capabilities of this part, any low-frequency wander or instability on the external reference will transfer to the output clocks. To address this issue, a stable external reference, TXCO, OCXO, or thermally-isolated crystal is recommended.

For example, with a 20 ppm oscillator as the reference on the XA/XB pins, temperature changes cause the oscillator to change frequency slightly. Although the Si5324 is locked to its input on CLKIN, it also uses the XA/XB as a reference.

If there is a need to use a reference oscillator instead of a crystal, Silicon Labs does not recommend using MEMS based oscillators. Instead, Silicon Labs recommends the Si530EB121M109DG, which is a very low-jitter/wander, LVPECL, 2.5 V crystal oscillator. The very low loop BW of the Si5324 means that it can be susceptible to XAXB reference sources that have high wander. Experience has shown that in spite of having low jitter, some MEMS oscillators have high wander, and these devices should be avoided. Contact Silicon Labs for details.

### 3.2. Additional Documentation

Consult the Silicon Laboratories Any-Frequency Precision Clock Family Reference Manual (FRM) for detailed information about the Si5324. Additional design support is available from Silicon Laboratories through your distributor.

Silicon Laboratories offers a PC-based software utility called *DSPLLsim* to simplify device configuration, including frequency planning and loop bandwidth selection. The FRM and this utility can be downloaded from <http://www.silabs.com/timing> (see “AN803: Lock and Settling Time Considerations for Si5324/27/69/74 Any-Frequency Jitter Attenuating Clock ICs” for additional details).

### 3.3. Typical Phase Noise Performance

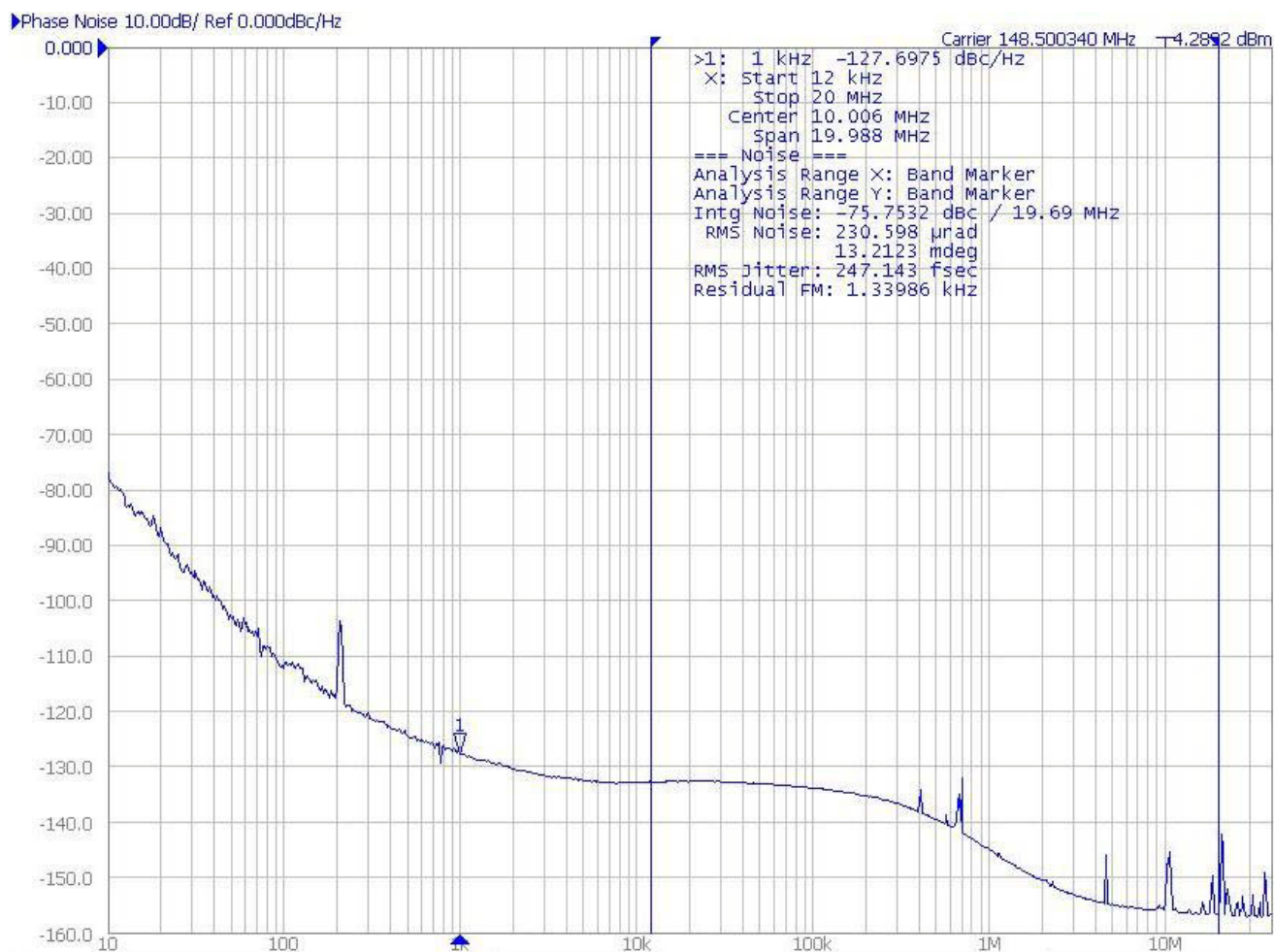


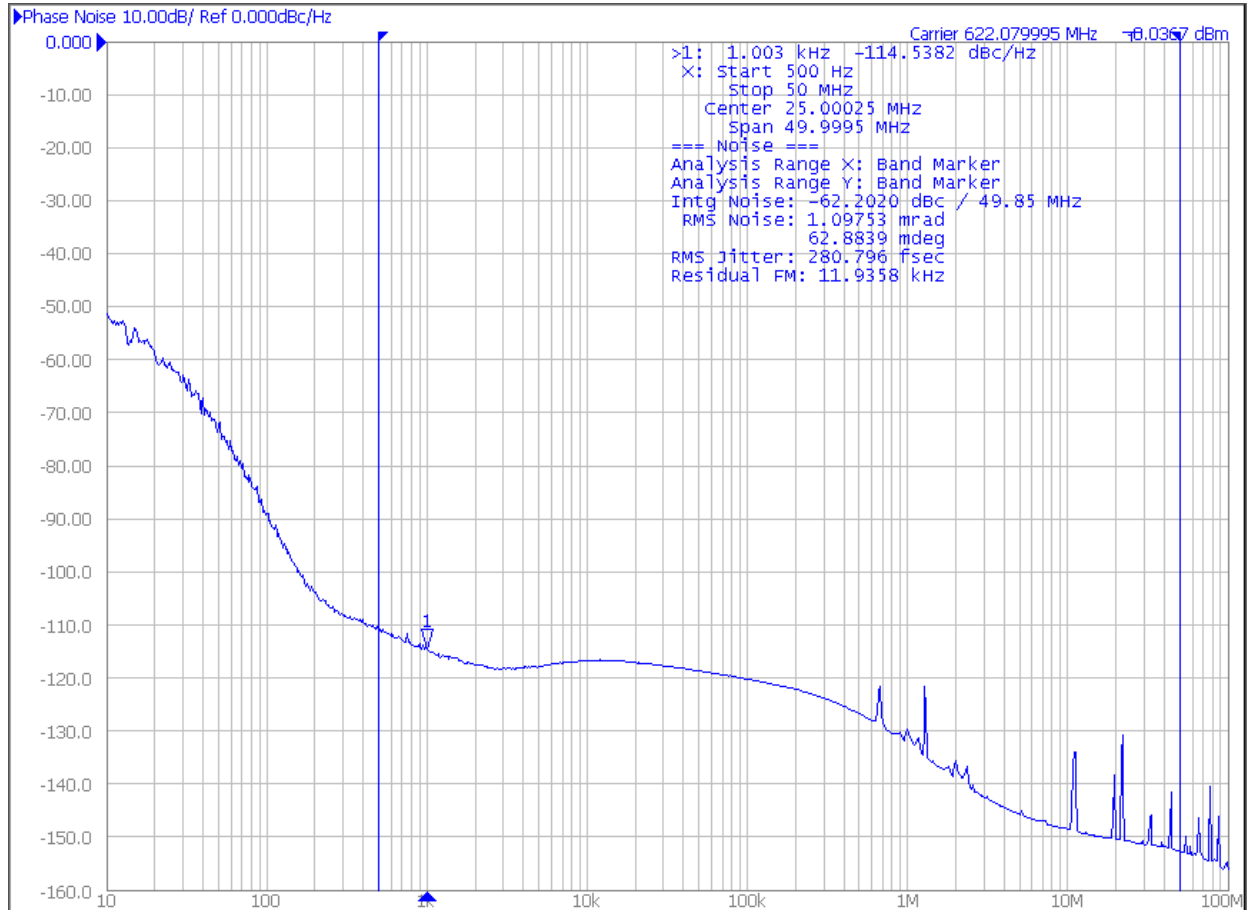
Figure 6. Broadcast Video

Table 8. Broadcast Video Jitter<sup>1</sup>

| Jitter Bandwidth <sup>2</sup> | Jitter (Peak-Peak) | Jitter (RMS) |
|-------------------------------|--------------------|--------------|
| 10 Hz to 20 MHz               | 5.24 ps            | 484 fs       |

**Notes:**

- Number of samples: 8.91E9.
- Jitter integration bands include low-pass (-20 dB/Dec) and hi-pass (-60 dB/Dec) roll-offs per Telecordia GR-253-CORE.



**Figure 7. OTN/SONET/SDH Phase Noise**

**Note:** Phase noise plot uses brick wall integration.

**Table 9. SONET Jitter**

| Jitter Bandwidth*               | Jitter, RMS |
|---------------------------------|-------------|
| SONET_OC48, 12 kHz to 20 MHz    | 266 fs      |
| SONET_OC192_A, 20 kHz to 80 MHz | 283 fs      |
| SONET_OC192_B, 4 MHz to 80 MHz  | 155 fs      |
| SONET_OC192_C, 50 kHz to 80 MHz | 275 fs      |
| Brick Wall_800 Hz to 80 MHz     | 287 fs      |

\***Note:** Jitter integration bands include low-pass (-20 dB/Dec) and hi-pass (-60 dB/Dec) roll-offs per Telecordia GR-253-CORE.

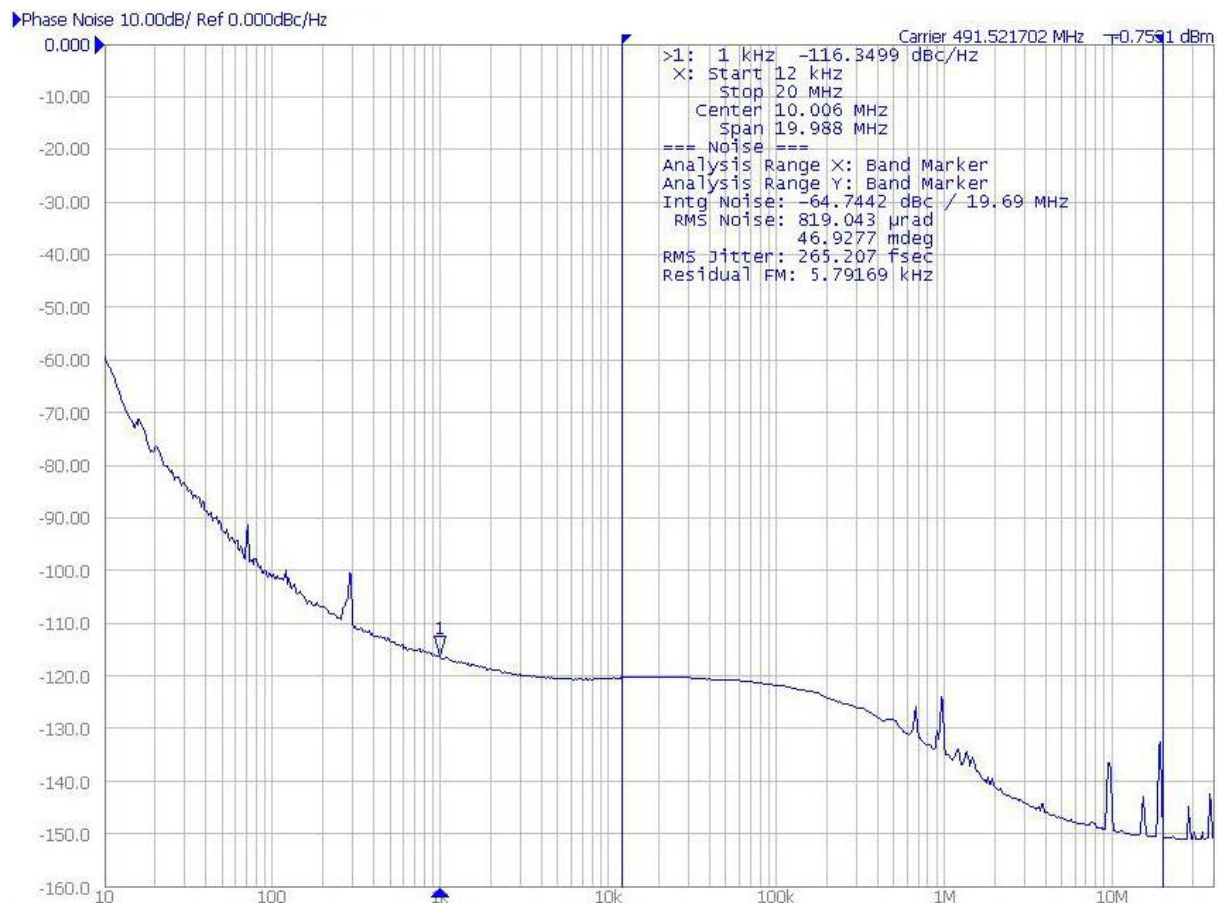


Figure 8. Wireless Base Station Phase Noise

Table 10. Wireless Base Station Jitter\*

| Jitter Bandwidth                       | Jitter (peak-peak) | Jitter (RMS) |
|--|--------------------|--------------|
| 10 Hz to 20 MHz                        | 7.28 ps            | 581 fs       |
| <b>Note:</b> Number of samples: 8.91E9 |                    |              |

## 4. Register Map

All register bits that are not defined in this map should always be written with the specified Reset Values. The writing to these bits of values other than the specified Reset Values may result in undefined device behavior. Registers not listed, e.g. Register 64, should never be written to.

| Register | D7               | D6           | D5              | D4           | D3             | D2              | D1             | D0        |
|----------|------------------|--------------|-----------------|--------------|----------------|-----------------|----------------|-----------|
| 0        |                  | FREE_RUN     | CKOUT_ALWAYS_ON |              |                |                 | BYPASS_REG     |           |
| 1        |                  |              |                 |              | CK_PRIOR2[1:0] |                 | CK_PRIOR1[1:0] |           |
| 2        | BWSEL_REG[3:0]   |              |                 |              |                |                 |                |           |
| 3        | CKSEL_REG[1:0]   |              | DHOLD           | SQ_ICAL      |                |                 |                |           |
| 4        | AUTOSEL_REG[1:0] |              |                 | HST_DEL[4:0] |                |                 |                |           |
| 5        | ICMOS[1:0]       |              |                 |              |                |                 |                |           |
| 6        |                  |              | SFOUT2_REG[2:0] |              |                | SFOUT1_REG[2:0] |                |           |
| 7        |                  |              |                 |              |                | FOSREFSEL[2:0]  |                |           |
| 8        | HLOG_2[1:0]      |              | HLOG_1[1:0]     |              |                |                 |                |           |
| 9        | HIST_AVG[4:0]    |              |                 |              |                |                 |                |           |
| 10       |                  |              |                 |              | DSBL2_REG      | DSBL1_REG       |                |           |
| 11       |                  |              |                 |              |                |                 | PD_CK2         | PD_CK1    |
| 19       | FOS_EN           | FOS_THR[1:0] |                 | VALTIME[1:0] |                | LOCK[T2:0]      |                |           |
| 20       |                  |              |                 |              | CK2_BAD_PIN    | CK1_BAD_PIN     | LOL_PIN        | INT_PIN   |
| 21       |                  |              |                 |              |                |                 | CK1_ACTV_PIN   | CKSEL_PIN |
| 22       |                  |              |                 |              | CK_ACTV_POL    | CK_BAD_POL      | LOL_POL        | INT_POL   |
| 23       |                  |              |                 |              |                | LOS2_MSK        | LOS1_MSK       | LOSX_MSK  |
| 24       |                  |              |                 |              |                | FOS2_MSK        | FOS1_MSK       | LOL_MSK   |
| 25       | N1_HS[2:0]       |              |                 |              |                |                 |                |           |
| 31       |                  |              |                 |              | NC1_LS[19:16]  |                 |                |           |
| 32       | NC1_LS[15:8]     |              |                 |              |                |                 |                |           |
| 33       | NC1_LS[7:0]      |              |                 |              |                |                 |                |           |
| 34       |                  |              |                 |              | NC2_LS[19:16]  |                 |                |           |
| 35       | NC2_LS[15:8]     |              |                 |              |                |                 |                |           |
| 36       | NC2_LS[7:0]      |              |                 |              |                |                 |                |           |
| 40       | N2_HS[2:0]       |              |                 |              | N2_LS[19:16]   |                 |                |           |
| 41       | N2_LS[15:8]      |              |                 |              |                |                 |                |           |
| 42       | N2_LS[7:0]       |              |                 |              |                |                 |                |           |
| 43       |                  |              |                 |              |                | N31[18:16]      |                |           |
| 44       | N31[15:8]        |              |                 |              |                |                 |                |           |
| 45       | N31[7:0]         |              |                 |              |                |                 |                |           |
| 46       |                  |              |                 |              |                | N32[18:16]      |                |           |



| Register | D7                    | D6                | D5              | D4           | D3            | D2              | D1            | D0            |
|----------|-----------------------|-------------------|-----------------|--------------|---------------|-----------------|---------------|---------------|
| 47       | N32[15:8]             |                   |                 |              |               |                 |               |               |
| 48       | N32[7:0]              |                   |                 |              |               |                 |               |               |
| 55       |                       |                   | CLKIN2RATE[2:0] |              |               | CLKIN1RATE[2:0] |               |               |
| 128      |                       |                   |                 |              |               |                 | CK2_ACTV_REG  | CK1_ACTV_REG  |
| 129      |                       |                   |                 |              |               | LOS2_INT        | LOS1_INT      | LOSX_INT      |
| 130      |                       | DIGHOLD-<br>VALID |                 |              |               | FOS2_INT        | FOS1_INT      | LOL_INT       |
| 131      |                       |                   |                 |              |               | LOS2_FLG        | LOS1_FLG      | LOSX_FLG      |
| 132      |                       |                   |                 |              | FOS2_FLG      | FOS1_FLG        | LOL_FLG       |               |
| 134      | PARTNUM_RO[11:4]      |                   |                 |              |               |                 |               |               |
| 135      | PARTNUM_RO[3:0]       |                   |                 |              | REVID_RO[3:0] |                 |               |               |
| 136      | RST_REG               | ICAL              |                 |              |               |                 |               |               |
| 137      |                       |                   |                 |              |               |                 |               | FASTLOCK      |
| 138      |                       |                   |                 |              |               |                 | LOS2_EN [1:1] | LOS1_EN [1:1] |
| 139      |                       |                   | LOS2_EN[0:0]    | LOS1_EN[0:0] |               |                 | FOS2_EN       | FOS1_EN       |
| 142      | INDEPENDENTSKEW1[7:0] |                   |                 |              |               |                 |               |               |
| 143      | INDEPENDENTSKEW2[7:0] |                   |                 |              |               |                 |               |               |

Table 11. CKOUT\_ALWAYS\_ON and SQ\_ICAL Truth Table

| CKOUT_ALWAYS_ON | SQ_ICAL | Results   |
|-----------------|---------|---|
| 0               | 0       | CKOUT OFF until after the first ICAL  |
| 0               | 1       | CKOUT OFF until after the first successful ICAL (i.e., when LOL is low)                         |
| 1               | 0       | CKOUT always ON, including during an ICAL   |
| 1               | 1       | CKOUT always ON, including during an ICAL. Use these settings to preserve output-to-output skew |

## 5. Register Descriptions

### Register 0.

| Bit  | D7 | D6       | D5                  | D4 | D3 | D2 | D1             | D0 |
|------|----|----------|---------------------|----|----|----|----------------|----|
| Name |    | FREE_RUN | CKOUT_<br>ALWAYS_ON |    |    |    | BYPASS_<br>REG |    |
| Type | R  | R/W      | R/W                 | R  | R  | R  | R/W            | R  |

Reset value = 0001 0100

| Bit | Name                | Function   |
|-----|---------------------|--|
| 7   | Reserved            | <b>Reserved.</b>   |
| 6   | FREE_RUN            | <b>Free Run.</b><br>Internal to the device, route XA/XB to CKIN2. This allows the device to lock to its XA-XB reference.<br>0: Disable<br>1: Enable  |
| 5   | CKOUT_<br>ALWAYS_ON | <b>CKOUT Always On.</b><br>This will bypass the SQ_ICAL function. Output will be available even if SQ_ICAL is on and ICAL is not complete or successful. See Table 11 on page 25.<br>0: Squelch output until part is calibrated (ICAL).<br>1: Provide an output.<br><b>Notes:</b><br>1. The frequency may be significantly off until the part is calibrated.<br>2. Must be 1 to control output to output skew. |
| 4:2 | Reserved            | <b>Reserved.</b>   |
| 1   | BYPASS_<br>REG      | <b>Bypass Register.</b><br>This bit enables or disables the PLL bypass mode. Use only when the device is in digital hold or before the first ICAL. Bypass mode is not supported for CMOS output clocks.<br>0: Normal operation<br>1: Bypass mode. Selected input clock is connected to CKOUT buffers, bypassing PLL.   |
| 0   | Reserved            | <b>Reserved.</b>   |

**Register 1.**

| Bit         | D7 | D6 | D5 | D4 | D3              | D2 | D1              | D0 |
|-------------|----|----|----|----|-----------------|----|-----------------|----|
| <b>Name</b> |    |    |    |    | CK_PRIOR2 [1:0] |    | CK_PRIOR1 [1:0] |    |
| <b>Type</b> | R  | R  | R  | R  | R/W             |    | R/W             |    |

Reset value = 1110 0100

| Bit | Name            | Function   |
|-----|-----------------|--|
| 7:4 | Reserved        | <b>Reserved.</b>   |
| 3:2 | CK_PRIOR2 [1:0] | <b>CK_PRIOR 2.</b><br>Selects which of the input clocks will be 2nd priority in the autoselection state machine.<br>00: CKIN1 is 2nd priority.<br>01: CKIN2 is 2nd priority.<br>10: Reserved<br>11: Reserved |
| 1:0 | CK_PRIOR1 [1:0] | <b>CK_PRIOR 1.</b><br>Selects which of the input clocks will be 1st priority in the autoselection state machine.<br>00: CKIN1 is 1st priority.<br>01: CKIN2 is 1st priority.<br>10: Reserved<br>11: Reserved |

**Register 2.**

| Bit         | D7              | D6 | D5 | D4 | D3 | D2 | D1 | D0 |
|-------------|-----------------|----|----|----|----|----|----|----|
| <b>Name</b> | BWSEL_REG [3:0] |    |    |    |    |    |    |    |
| <b>Type</b> | R/W             |    |    |    | R  | R  | R  | R  |

Reset value = 0100 0010

| Bit | Name            | Function  |
|-----|-----------------|---|
| 7:4 | BWSEL_REG [3:0] | <b>BWSEL_REG.</b><br>Selects nominal f3dB bandwidth for PLL. See the DSPLLsim for settings. After BWSEL_REG is written with a new value, an ICAL is required for the change to take effect. |
| 3:0 | Reserved        | <b>Reserved.</b>  |

## Register 3.

| Bit         | D7              | D6 | D5    | D4      | D3 | D2 | D1 | D0 |
|-------------|-----------------|----|-------|---------|----|----|----|----|
| <b>Name</b> | CKSEL_REG [1:0] |    | DHOLD | SQ_ICAL |    |    |    |    |
| <b>Type</b> | R/W             |    | R/W   | R/W     | R  | R  | R  | R  |

Reset value = 0000 0101

| Bit | Name            | Function   |
|-----|-----------------|--|
| 7:6 | CKSEL_REG [1:0] | <p><b>CKSEL_REG.</b></p> <p>If the device is operating in register-based manual clock selection mode (AUTOSEL_REG = 00), and CKSEL_PIN = 0, then these bits select which input clock will be the active input clock. If CKSEL_PIN = 1 and AUTOSEL_REG = 00, the CS_CA input pin continues to control clock selection and CKSEL_REG is of no consequence.</p> <p>00: CKIN_1 selected.<br/>           01: CKIN_2 selected.<br/>           10: Reserved<br/>           11: Reserved</p> |
| 5   | DHOLD           | <p><b>DHOLD.</b></p> <p>Forces the part into digital hold. This bit overrides all other manual and automatic clock selection controls.</p> <p>0: Normal operation.<br/>           1: Force digital hold mode. Overrides all other settings and ignores the quality of all of the input clocks.</p>   |
| 4   | SQ_ICAL         | <p><b>SQ_ICAL.</b></p> <p>This bit determines if the output clocks will remain enabled or be squelched (disabled) during an internal calibration. See Table 11 on page 25.</p> <p>0: Output clocks enabled during ICAL.<br/>           1: Output clocks disabled during ICAL.</p>  |
| 3:0 | Reserved        | <b>Reserved.</b>   |

**Register 4.**

| Bit         | D7                | D6 | D5 | D4             | D3 | D2 | D1 | D0 |
|-------------|-------------------|----|----|----------------|----|----|----|----|
| <b>Name</b> | AUTOSEL_REG [1:0] |    |    | HIST_DEL [4:0] |    |    |    |    |
| <b>Type</b> | R/W               |    | R  | R/W            |    |    |    |    |

Reset value = 0001 0010

| Bit | Name              | Function  |
|-----|-------------------|---|
| 7:6 | AUTOSEL_REG [1:0] | <b>AUTOSEL_REG [1:0].</b><br>Selects method of input clock selection to be used.<br>00: Manual (either register or pin controlled, see CKSEL_PIN)<br>01: Automatic Non-Revertive<br>10: Automatic Revertive<br>11: Reserved |
| 5   | Reserved          | <b>Reserved.</b>  |
| 4:0 | HIST_DEL [4:0]    | <b>HIST_DEL [4:0].</b><br>Selects amount of delay to be used in generating the history information used for Digital Hold.   |

**Register 5.**

| Bit         | D7          | D6 | D5 | D4 | D3 | D2 | D1 | D0 |
|-------------|-------------|----|----|----|----|----|----|----|
| <b>Name</b> | ICMOS [1:0] |    |    |    |    |    |    |    |
| <b>Type</b> | R/W         |    | R  | R  | R  | R  | R  | R  |

Reset value = 1110 1101

| Bit | Name        | Function   |
|-----|-------------|--|
| 7:6 | ICMOS [1:0] | <b>ICMOS [1:0].</b><br>When the output buffer is set to CMOS mode, these bits determine the output buffer drive strength. The first number below refers to 3.3 V operation; the second to 1.8 V operation. These values assume CKOUT+ is tied to CKOUT-.<br>00: 8mA/2mA.<br>01: 16mA/4mA<br>10: 24mA/6mA<br>11: 32mA/8mA |
| 5:0 | Reserved    | <b>Reserved.</b>   |

## Register 6.

| Bit  | D7 | D6 | D5               | D4 | D3 | D2               | D1 | D0 |
|------|----|----|------------------|----|----|------------------|----|----|
| Name |    |    | SFOUT2_REG [2:0] |    |    | SFOUT1_REG [2:0] |    |    |
| Type | R  | R  | R/W              |    |    | R/W              |    |    |

Reset value = 0010 1101

| Bit | Name             | Function   |
|-----|------------------|--|
| 7:6 | Reserved         | <b>Reserved.</b>   |
| 5:3 | SFOUT2_REG [2:0] | <b>SFOUT2_REG [2:0].</b><br>Controls output signal format and disable for CKOUT2 output buffer. Bypass mode is not supported for CMOS output clocks.<br>000: Reserved<br>001: Disable<br>010: CMOS<br>011: Low swing LVDS<br>100: Reserved<br>101: LVPECL<br>110: CML<br>111: LVDS |
| 2:0 | SFOUT1_REG [2:0] | <b>SFOUT1_REG [2:0].</b><br>Controls output signal format and disable for CKOUT1 output buffer. Bypass mode is not supported for CMOS output clocks.<br>000: Reserved<br>001: Disable<br>010: CMOS<br>011: Low swing LVDS<br>100: Reserved<br>101: LVPECL<br>110: CML<br>111: LVDS |

**Register 7.**

| Bit         | D7 | D6 | D5 | D4 | D3 | D2              | D1 | D0 |
|-------------|----|----|----|----|----|-----------------|----|----|
| <b>Name</b> |    |    |    |    |    | FOSREFSEL [2:0] |    |    |
| <b>Type</b> | R  | R  | R  | R  | R  | R/W             |    |    |

Reset value = 0010 1010

| Bit | Name            | Function  |
|-----|-----------------|---|
| 7:3 | Reserved.       | <b>Reserved.</b>  |
| 2:0 | FOSREFSEL [2:0] | <b>FOSREFSEL [2:0].</b><br>Selects which input clock is used as the reference frequency for Frequency Off-Set (FOS) alarms.<br>000: XA/XB (External reference)<br>001: CKIN1<br>010: CKIN2<br>011: Reserved<br>100: Reserved<br>101: Reserved<br>110: Reserved<br>111: Reserved |

## Register 8.

| Bit         | D7          | D6 | D5          | D4 | D3 | D2 | D1 | D0 |
|-------------|-------------|----|-------------|----|----|----|----|----|
| <b>Name</b> | HLOG_2[1:0] |    | HLOG_1[1:0] |    |    |    |    |    |
| <b>Type</b> | R/W         |    | R/W         |    | R  | R  | R  | R  |

Reset value = 0000 0000

| Bit | Name         | Function   |
|-----|--------------|--|
| 7:6 | HLOG_2 [1:0] | <b>HLOG_2 [1:0].</b><br>00: Normal operation<br>01: Holds CKOUT2 output at static logic 0.<br>Entrance and exit from this state will occur without glitches or runt pulses.<br>10: Holds CKOUT2 output at static logic 1.<br>Entrance and exit from this state will occur without glitches or runt pulses.<br>11: Reserved |
| 5:4 | HLOG_1 [1:0] | <b>HLOG_1 [1:0].</b><br>00: Normal operation<br>01: Holds CKOUT1 output at static logic 0.<br>Entrance and exit from this state will occur without glitches or runt pulses.<br>10: Holds CKOUT1 output at static logic 1.<br>Entrance and exit from this state will occur without glitches or runt pulses.<br>11: Reserved |
| 3:0 | Reserved     | <b>Reserved.</b>   |

## Register 9.

| Bit         | D7             | D6 | D5 | D4 | D3 | D2 | D1 | D0 |
|-------------|----------------|----|----|----|----|----|----|----|
| <b>Name</b> | HIST_AVG [4:0] |    |    |    |    |    |    |    |
| <b>Type</b> | R/W            |    |    |    |    | R  | R  | R  |

Reset value = 1100 0000

| Bit | Name           | Function  |
|-----|----------------|---|
| 7:3 | HIST_AVG [4:0] | <b>HIST_AVG [4:0].</b><br>Selects amount of averaging time to be used in generating the history information for Digital Hold. |
| 2:0 | Reserved       | <b>Reserved.</b>  |



**Register 10.**

| Bit  | D7 | D6 | D5 | D4 | D3        | D2        | D1 | D0 |
|------|----|----|----|----|-----------|-----------|----|----|
| Name |    |    |    |    | DSBL2_REG | DSBL1_REG |    |    |
| Type | R  | R  | R  | R  | R/W       | R/W       | R  | R  |

Reset value = 0000 0000

| Bit | Name      | Function  |
|-----|-----------|---|
| 7:4 | Reserved  | <b>Reserved.</b>  |
| 3   | DSBL2_REG | <b>DSBL2_REG.</b><br>This bit controls the powerdown of the CKOUT2 output buffer. If disable mode is selected, the NC2_LS output divider is also powered down.<br>0: CKOUT2 enabled.<br>1: CKOUT2 disabled. |
| 2   | DSBL1_REG | <b>DSBL1_REG.</b><br>This bit controls the powerdown of the CKOUT1 output buffer. If disable mode is selected, the NC1_LS output divider is also powered down.<br>0: CKOUT1 enabled.<br>1: CKOUT1 disabled. |
| 1:0 | Reserved  | <b>Reserved.</b>  |

**Register 11.**

| Bit  | D7 | D6 | D5 | D4 | D3 | D2 | D1     | D0     |
|------|----|----|----|----|----|----|--------|--------|
| Name |    |    |    |    |    |    | PD_CK2 | PD_CK1 |
| Type | R  | R  | R  | R  | R  | R  | R/W    | R/W    |

Reset value = 0100 0000

| Bit | Name     | Function  |
|-----|----------|---|
| 7:2 | Reserved | <b>Reserved.</b>  |
| 1   | PD_CK2   | <b>PD_CK2.</b><br>This bit controls the powerdown of the CKIN2 input buffer.<br>0: CKIN2 enabled.<br>1: CKIN2 disabled. |
| 0   | PD_CK1   | <b>PD_CK1.</b><br>This bit controls the powerdown of the CKIN1 input buffer.<br>0: CKIN1 enabled.<br>1: CKIN1 disabled. |

## Register 19.

| Bit         | D7     | D6            | D5 | D4            | D3 | D2          | D1 | D0 |
|-------------|--------|---------------|----|---------------|----|-------------|----|----|
| <b>Name</b> | FOS_EN | FOS_THR [1:0] |    | VALTIME [1:0] |    | LOCKT [2:0] |    |    |
| <b>Type</b> | R/W    | R/W           |    | R/W           |    | R/W         |    |    |

Reset value = 0010 1100

| Bit | Name          | Function  |
|-----|---------------|---|
| 7   | FOS_EN        | <p><b>FOS_EN.</b><br/>Frequency Offset Enable globally disables FOS. See the individual FOS enables (FOSx_EN, register 139).<br/>0: FOS disable<br/>1: FOS enabled by FOSx_EN</p>   |
| 6:5 | FOS_THR [1:0] | <p><b>FOS_THR [1:0].</b><br/>Frequency Offset at which FOS is declared:<br/>00: ± 11 to 12 ppm (Stratum 3/3E compliant, with a Stratum 3/3E used for REFCLK)<br/>01: ± 48 to 49 ppm (SMC)<br/>10: ± 30 ppm (SONET Minimum Clock (SMC), with a Stratum 3/3E used for REFCLK).<br/>11: ± 200 ppm</p>  |
| 4:3 | VALTIME [1:0] | <p><b>VALTIME [1:0].</b><br/>Sets amount of time for input clock to be valid before the associated alarm is removed.<br/>00: 2 ms<br/>01: 100 ms<br/>10: 200 ms<br/>11: 13 seconds</p>  |
| 2:0 | LOCKT [2:0]   | <p><b>LOCKT [2:0].</b><br/>Sets retrigger interval for one shot monitoring phase detector output. One shot is triggered by phase slip in DSPLL. Refer to the Family Reference Manual for more details. To minimize lock time, the value 001 for LOCKT is recommended (see “AN803: Lock and Settling Time Considerations for Si5324/27/69/74 Any-Frequency Jitter Attenuating Clock ICs” for additional details).<br/>000: 106 ms<br/>001: 53 ms<br/>010: 26.5 ms<br/>011: 13.3 ms<br/>100: 6.6 ms<br/>101: 3.3 ms<br/>110: 1.66 ms<br/>111: .833 ms</p> |

**Register 20.**

| Bit         | D7 | D6 | D5 | D4 | D3          | D2          | D1      | D0      |
|-------------|----|----|----|----|-------------|-------------|---------|---------|
| <b>Name</b> |    |    |    |    | CK2_BAD_PIN | CK1_BAD_PIN | LOL_PIN | INT_PIN |
| <b>Type</b> | R  | R  | R  | R  | R/W         | R/W         | R/W     | R/W     |

Reset value = 0011 1110

| Bit | Name        | Function   |
|-----|-------------|--|
| 7:4 | Reserved    | <b>Reserved.</b>   |
| 3   | CK2_BAD_PIN | <b>CK2_BAD_PIN.</b><br>The CK2_BAD status can be reflected on the C2B output pin.<br>0: C2B output pin tristated<br>1: C2B status reflected to output pin  |
| 2   | CK1_BAD_PIN | <b>CK1_BAD_PIN.</b><br>The CK1_BAD status can be reflected on the C1B output pin.<br>0: C1B output pin tristated<br>1: C1B status reflected to output pin  |
| 1   | LOL_PIN     | <b>LOL_PIN.</b><br>The LOL_INT status bit can be reflected on the LOL output pin.<br>0: LOL output pin tristated<br>1: LOL_INT status reflected to output pin  |
| 0   | INT_PIN     | <b>INT_PIN.</b><br>Reflects the interrupt status on the INT_C1B output pin.<br>0: Interrupt status not displayed on INT_C1B output pin. If CK1_BAD_PIN = 0, INT_C1B output pin is tristated.<br>1: Interrupt status reflected to output pin. Instead, the INT_C1B pin indicates when CKIN1 is bad. |

## Register 21.

| Bit  | D7 | D6 | D5 | D4 | D3 | D2 | D1           | D0        |
|------|----|----|----|----|----|----|--------------|-----------|
| Name |    |    |    |    |    |    | CK1_ACTV_PIN | CKSEL_PIN |
| Type | R  | R  | R  | R  | R  | R  | R/W          | R/W       |

Reset value = 1111 1111

| Bit | Name         | Function   |
|-----|--------------|--|
| 7:2 | Reserved     | <b>Reserved.</b>   |
| 1   | CK1_ACTV_PIN | <p><b>CK1_ACTV_PIN.</b></p> <p>The CK1_ACTV_REG status bit can be reflected to the CS_CA output pin using the CK1_ACTV_PIN enable function. CK1_ACTV_PIN is of consequence only when pin controlled clock selection is not being used.</p> <p>0: CS_CA output pin tristated.</p> <p>1: Clock Active status reflected to output pin.</p>                              |
| 0   | CKSEL_PIN    | <p><b>CKSEL_PIN.</b></p> <p>If manual clock selection is being used, clock selection can be controlled via the CKSEL_REG[1:0] register bits or the CS_CA input pin. This bit is only active when AUTOSEL_REG = Manual.</p> <p>0: CS_CA pin is ignored. CKSEL_REG[1:0] register bits control clock selection.</p> <p>1: CS_CA input pin controls clock selection.</p> |

**Register 22.**

| Bit         | D7 | D6 | D5 | D4 | D3          | D2         | D1      | D0      |
|-------------|----|----|----|----|-------------|------------|---------|---------|
| <b>Name</b> |    |    |    |    | CK_ACTV_POL | CK_BAD_POL | LOL_POL | INT_POL |
| <b>Type</b> | R  | R  | R  | R  | R/W         | R/W        | R/W     | R/W     |

Reset value = 1101 1111

| Bit | Name        | Function  |
|-----|-------------|---|
| 7:4 | Reserved    | <b>Reserved.</b>  |
| 3   | CK_ACTV_POL | <b>CK_ACTV_POL.</b><br>Sets the active polarity for the CS_CA signals when reflected on an output pin.<br>0: Active low<br>1: Active high         |
| 2   | CK_BAD_POL  | <b>CK_BAD_POL.</b><br>Sets the active polarity for the INT_C1B and C2B signals when reflected on output pins.<br>0: Active low<br>1: Active high  |
| 1   | LOL_POL     | <b>LOL_POL.</b><br>Sets the active polarity for the LOL status when reflected on an output pin.<br>0: Active low<br>1: Active high                |
| 0   | INT_POL     | <b>INT_POL.</b><br>Sets the active polarity for the interrupt status when reflected on the INT_C1B output pin.<br>0: Active low<br>1: Active high |

## Register 23.

| Bit  | D7 | D6 | D5 | D4 | D3 | D2       | D1       | D0       |
|------|----|----|----|----|----|----------|----------|----------|
| Name |    |    |    |    |    | LOS2_MSK | LOS1_MSK | LOSX_MSK |
| Type | R  | R  | R  | R  | R  | R/W      | R/W      | R/W      |

Reset value = 0001 1111

| Bit | Name     | Function  |
|-----|----------|---|
| 7:3 | Reserved | <b>Reserved.</b>  |
| 2   | LOS2_MSK | <b>LOS2_MSK.</b><br>Determines if a LOS on CKIN2 (LOS2_FLG) is used in the generation of an interrupt. Writes to this register do not change the value held in the LOS2_FLG register.<br>0: LOS2 alarm triggers active interrupt on INT_C1B output (if INT_PIN=1).<br>1: LOS2_FLG ignored in generating interrupt output. |
| 1   | LOS1_MSK | <b>LOS1_MSK.</b><br>Determines if a LOS on CKIN1 (LOS1_FLG) is used in the generation of an interrupt. Writes to this register do not change the value held in the LOS1_FLG register.<br>0: LOS1 alarm triggers active interrupt on INT_C1B output (if INT_PIN=1).<br>1: LOS1_FLG ignored in generating interrupt output. |
| 0   | LOSX_MSK | <b>LOSX_MSK.</b><br>Determines if a LOS on XA/XB(LOSX_FLG) is used in the generation of an interrupt. Writes to this register do not change the value held in the LOSX_FLG register.<br>0: LOSX alarm triggers active interrupt on INT_C1B output (if INT_PIN=1).<br>1: LOSX_FLG ignored in generating interrupt output.  |

**Register 24.**

| Bit  | D7 | D6 | D5 | D4 | D3 | D2       | D1       | D0      |
|------|----|----|----|----|----|----------|----------|---------|
| Name |    |    |    |    |    | FOS2_MSK | FOS1_MSK | LOL_MSK |
| Type | R  | R  | R  | R  | R  | R/W      | R/W      | R/W     |

Reset value = 0011 1111

| Bit | Name     | Function  |
|-----|----------|---|
| 7:3 | Reserved | <b>Reserved.</b>  |
| 2   | FOS2_MSK | <b>FOS2_MSK.</b><br>Determines if the FOS2_FLG is used to in the generation of an interrupt. Writes to this register do not change the value held in the FOS2_FLG register.<br>0: FOS2 alarm triggers active interrupt on INT_C1B output (if INT_PIN=1).<br>1: FOS2_FLG ignored in generating interrupt output. |
| 1   | FOS1_MSK | <b>FOS1_MSK.</b><br>Determines if the FOS1_FLG is used in the generation of an interrupt. Writes to this register do not change the value held in the FOS1_FLG register.<br>0: FOS1 alarm triggers active interrupt on INT_C1B output (if INT_PIN=1).<br>1: FOS1_FLG ignored in generating interrupt output.    |
| 0   | LOL_MSK  | <b>LOL_MSK.</b><br>Determines if the LOL_FLG is used in the generation of an interrupt. Writes to this register do not change the value held in the LOL_FLG register.<br>0: LOL alarm triggers active interrupt on INT_C1B output (if INT_PIN=1).<br>1: LOL_FLG ignored in generating interrupt output.         |

## Register 25.

| Bit  | D7          | D6 | D5 | D4 | D3 | D2 | D1 | D0 |
|------|-------------|----|----|----|----|----|----|----|
| Name | N1_HS [2:0] |    |    |    |    |    |    |    |
| Type | R/W         |    |    | R  | R  | R  | R  | R  |

Reset value = 0010 0000

| Bit | Name        | Function   |
|-----|-------------|--|
| 7:5 | N1_HS [2:0] | <b>N1_HS [2:0].</b><br>Sets value for N1 high speed divider which drives NCn_LS (n = 1 to 2) low-speed divider.<br>000: N1= 4<br>001: N1= 5<br>010: N1=6<br>011: N1= 7<br>100: N1= 8<br>101: N1= 9<br>110: N1= 10<br>111: N1= 11 |
| 4:0 | Reserved    | <b>Reserved.</b>   |

## Register 31.

| Bit  | D7 | D6 | D5 | D4 | D3             | D2 | D1 | D0 |
|------|----|----|----|----|----------------|----|----|----|
| Name |    |    |    |    | NC1_LS [19:16] |    |    |    |
| Type | R  | R  | R  | R  | R/W            |    |    |    |

Reset value = 0000 0000

| Bit | Name           | Function  |
|-----|----------------|---|
| 7:4 | Reserved       | <b>Reserved.</b>  |
| 3:0 | NC1_LS [19:16] | <b>NC1_LS [19:16].</b><br>Sets value for NC1 low-speed divider, which drives CKOUT1 output. Must be 0 or odd.<br>00000000000000000000 = 1<br>00000000000000000001 = 2<br>00000000000000000011 = 4<br>00000000000000000101 = 6<br>...<br>11111111111111111111=2^20<br>Valid divider values=[1, 2, 4, 6, ..., 2^20] |



**Register 32.**

| Bit         | D7            | D6 | D5 | D4 | D3 | D2 | D1 | D0 |
|-------------|---------------|----|----|----|----|----|----|----|
| <b>Name</b> | NC1_LS [15:8] |    |    |    |    |    |    |    |
| <b>Type</b> | R/W           |    |    |    |    |    |    |    |

Reset value = 0000 0000

| Bit | Name          | Function   |
|-----|---------------|--|
| 7:0 | NC1_LS [15:8] | <b>NC1_LS [15:8].</b><br>Sets value for NC1 low-speed divider, which drives CKOUT1 output. Must be 0 or odd.<br>00000000000000000000 = 1<br>00000000000000000001 = 2<br>00000000000000000011 = 4<br>00000000000000000101 = 6<br>...<br>11111111111111111111=2^20<br>Valid divider values=[1, 2, 4, 6, ..., 2^20] |

**Register 33.**

| Bit         | D7           | D6 | D5 | D4 | D3 | D2 | D1 | D0 |
|-------------|--------------|----|----|----|----|----|----|----|
| <b>Name</b> | NC1_LS [7:0] |    |    |    |    |    |    |    |
| <b>Type</b> | R/W          |    |    |    |    |    |    |    |

Reset value = 0011 0001

| Bit | Name          | Function  |
|-----|---------------|---|
| 7:0 | NC1_LS [19:0] | <b>NC1_LS [7:0].</b><br>Sets value for NC1 low-speed divider, which drives CKOUT1 output. Must be 0 or odd.<br>00000000000000000000 = 1<br>00000000000000000001 = 2<br>00000000000000000011 = 4<br>00000000000000000101 = 6<br>...<br>11111111111111111111=2^20<br>Valid divider values=[1, 2, 4, 6, ..., 2^20] |

## Register 34.

| Bit  | D7             | D6 | D5 | D4 | D3 | D2 | D1 | D0  |
|------|----------------|----|----|----|----|----|----|-----|
| Name | NC2_LS [19:16] |    |    |    |    |    |    |     |
| Type | R              | R  | R  | R  |    |    |    | R/W |

Reset value = 0000 0000

| Bit | Name           | Function   |
|-----|----------------|--|
| 7:4 | Reserved       | <b>Reserved.</b>   |
| 3:0 | NC2_LS [19:16] | <b>NC2_LS [19:16].</b><br>Sets value for NC2 low-speed divider, which drives CKOUT2 output. Must be 0 or odd.<br>00000000000000000000=1<br>00000000000000000001=2<br>00000000000000000011=4<br>00000000000000000101=6<br>...<br>11111111111111111111=2 <sup>20</sup><br>Valid divider values=[1, 2, 4, 6, ..., 2 <sup>20</sup> ] |

## Register 35.

| Bit  | D7            | D6 | D5 | D4 | D3 | D2 | D1 | D0 |
|------|---------------|----|----|----|----|----|----|----|
| Name | NC2_LS [15:8] |    |    |    |    |    |    |    |
| Type | R/W           |    |    |    |    |    |    |    |

Reset value = 0000 0000

| Bit | Name          | Function  |
|-----|---------------|---|
| 7:0 | NC2_LS [15:8] | <b>NC2_LS [15:8].</b><br>Sets value for NC2 low-speed divider, which drives CKOUT2 output. Must be 0 or odd.<br>00000000000000000000 = 1<br>00000000000000000001 = 2<br>00000000000000000011 = 4<br>00000000000000000101 = 6<br>...<br>11111111111111111111=2 <sup>20</sup><br>Valid divider values=[1, 2, 4, 6, ..., 2 <sup>20</sup> ] |

**Register 36.**

| Bit         | D7           | D6 | D5 | D4 | D3 | D2 | D1 | D0 |
|-------------|--------------|----|----|----|----|----|----|----|
| <b>Name</b> | NC2_LS [7:0] |    |    |    |    |    |    |    |
| <b>Type</b> | R/W          |    |    |    |    |    |    |    |

Reset value = 0011 0001

| Bit | Name         | Function   |
|-----|--------------|--|
| 7:0 | NC2_LS [7:0] | <p><b>NC2_LS [7:0].</b><br/> Sets value for NC2 low-speed divider, which drives CKOUT2 output. Must be 0 or odd.<br/> 00000000000000000000 = 1<br/> 00000000000000000001 = 2<br/> 00000000000000000011 = 4<br/> 00000000000000000101 = 6<br/> ...<br/> 11111111111111111111 = <math>2^{20}</math><br/> Valid divider values = [1, 2, 4, 6, ..., <math>2^{20}</math>]</p> |

## Register 40.

| Bit         | D7          | D6 | D5 | D4 | D3            | D2  | D1 | D0 |
|-------------|-------------|----|----|----|---------------|-----|----|----|
| <b>Name</b> | N2_HS [2:0] |    |    |    | N2_LS [19:16] |     |    |    |
| <b>Type</b> | R/W         |    |    | R  |               | R/W |    |    |

Reset value = 1100 0000

| Bit | Name          | Function   |
|-----|---------------|--|
| 7:5 | N2_HS [2:0]   | <b>N2_HS [2:0].</b><br>Sets value for N2 high speed divider which drives N2LS low-speed divider.<br>000: 4<br>001: 5<br>010: 6<br>011: 7<br>100: 8<br>101: 9<br>110: 10<br>111: 11   |
| 4   | Reserved      | <b>Reserved.</b>   |
| 3:0 | N2_LS [19:16] | <b>N2_LS [19:16].</b><br>Sets value for N2 low-speed divider, which drives phase detector.<br>00000000000000000001 = 2<br>00000000000000000011 = 4<br>00000000000000000101 = 6<br>...<br>11111111111111111111 = $2^{20}$<br>Valid divider values = [2, 4, 6, ..., $2^{20}$ ] |

**Register 41.**

| Bit         | D7           | D6 | D5 | D4 | D3 | D2 | D1 | D0 |
|-------------|--------------|----|----|----|----|----|----|----|
| <b>Name</b> | N2_LS [15:8] |    |    |    |    |    |    |    |
| <b>Type</b> | R/W          |    |    |    |    |    |    |    |

Reset value = 0000 0000

| Bit | Name         | Function  |
|-----|--------------|---|
| 7:0 | N2_LS [15:8] | <p><b>N2_LS [15:8].</b><br/> Sets value for N2 low-speed divider, which drives phase detector.<br/> 00000000000000000001 = 2<br/> 00000000000000000011 = 4<br/> 00000000000000000101 = 6<br/> ...<br/> 11111111111111111111 = <math>2^{20}</math><br/> Valid divider values = [2, 4, 6, ..., <math>2^{20}</math>]</p> |

**Register 42.**

| Bit         | D7          | D6 | D5 | D4 | D3 | D2 | D1 | D0 |
|-------------|-------------|----|----|----|----|----|----|----|
| <b>Name</b> | N2_LS [7:0] |    |    |    |    |    |    |    |
| <b>Type</b> | R/W         |    |    |    |    |    |    |    |

Reset value = 1111 1001

| Bit | Name        | Function   |
|-----|-------------|--|
| 7:0 | N2_LS [7:0] | <p><b>N2_LS [7:0].</b><br/> Sets value for N2 low-speed divider, which drives phase detector.<br/> 00000000000000000001 = 2<br/> 00000000000000000011 = 4<br/> 00000000000000000101 = 6<br/> ...<br/> 11111111111111111111 = <math>2^{20}</math><br/> Valid divider values = [2, 4, 6, ..., <math>2^{20}</math>]</p> |

# Si5324

## Register 43.

| Bit  | D7          | D6 | D5 | D4 | D3 | D2  | D1 | D0 |
|------|-------------|----|----|----|----|-----|----|----|
| Name | N31 [18:16] |    |    |    |    |     |    |    |
| Type | R           | R  | R  | R  | R  | R/W |    |    |

Reset value = 0000 0000

| Bit | Name        | Function   |
|-----|-------------|--|
| 7:3 | Reserved    | <b>Reserved.</b>   |
| 2:0 | N31 [18:16] | <b>N31 [18:16].</b><br>Sets value for input divider for CKIN1.<br>00000000000000000000 = 1<br>00000000000000000001 = 2<br>00000000000000000010 = 3<br>...<br>11111111111111111111 = $2^{19}$<br>Valid divider values = [1, 2, 3, ..., $2^{19}$ ] |

## Register 44.

| Bit  | D7         | D6 | D5 | D4 | D3 | D2 | D1 | D0 |
|------|------------|----|----|----|----|----|----|----|
| Name | N31_[15:8] |    |    |    |    |    |    |    |
| Type | R/W        |    |    |    |    |    |    |    |

Reset value = 0000 0000

| Bit | Name       | Function  |
|-----|------------|---|
| 7:0 | N31_[15:8] | <b>N31_[15:8].</b><br>Sets value for input divider for CKIN1.<br>00000000000000000000 = 1<br>00000000000000000001 = 2<br>00000000000000000010 = 3<br>...<br>11111111111111111111 = $2^{19}$<br>Valid divider values = [1, 2, 3, ..., $2^{19}$ ] |

**Register 45.**

| Bit         | D7        | D6 | D5 | D4 | D3 | D2 | D1 | D0 |
|-------------|-----------|----|----|----|----|----|----|----|
| <b>Name</b> | N31_[7:0] |    |    |    |    |    |    |    |
| <b>Type</b> | R/W       |    |    |    |    |    |    |    |

Reset value = 0000 1001

| Bit | Name      | Function   |
|-----|-----------|--|
| 7:0 | N31_[7:0] | <b>N31_[7:0].</b><br>Sets value for input divider for CKIN1.<br>00000000000000000000 = 1<br>00000000000000000001 = 2<br>00000000000000000010 = 3<br>...<br>11111111111111111111 = $2^{19}$<br>Valid divider values = [1, 2, 3, ..., $2^{19}$ ] |

**Register 46.**

| Bit         | D7 | D6 | D5 | D4 | D3 | D2 | D1          | D0 |
|-------------|----|----|----|----|----|----|-------------|----|
| <b>Name</b> |    |    |    |    |    |    | N32_[18:16] |    |
| <b>Type</b> | R  | R  | R  | R  | R  |    | R/W         |    |

Reset value = 0000 0000

| Bit | Name        | Function   |
|-----|-------------|--|
| 7:3 | Reserved    | <b>Reserved.</b>   |
| 2:0 | N32_[18:16] | <b>N32_[18:16].</b><br>Sets value for input divider for CKIN2.<br>00000000000000000000 = 1<br>00000000000000000001 = 2<br>00000000000000000010 = 3<br>...<br>11111111111111111111 = $2^{19}$<br>Valid divider values = [1, 2, 3, ..., $2^{19}$ ] |

# Si5324

## Register 47.

| Bit  | D7         | D6 | D5 | D4 | D3 | D2 | D1 | D0 |
|------|------------|----|----|----|----|----|----|----|
| Name | N32_[15:8] |    |    |    |    |    |    |    |
| Type | R/W        |    |    |    |    |    |    |    |

Reset value = 0000 0000

| Bit | Name       | Function  |
|-----|------------|---|
| 7:0 | N32_[15:8] | <b>N32_[15:8].</b><br>Sets value for input divider for CKIN2.<br>00000000000000000000 = 1<br>00000000000000000001 = 2<br>00000000000000000010 = 3<br>...<br>11111111111111111111 = $2^{19}$<br>Valid divider values = [1, 2, 3, ..., $2^{19}$ ] |

## Register 48.

| Bit  | D7        | D6 | D5 | D4 | D3 | D2 | D1 | D0 |
|------|-----------|----|----|----|----|----|----|----|
| Name | N32_[7:0] |    |    |    |    |    |    |    |
| Type | R/W       |    |    |    |    |    |    |    |

Reset value = 0000 1001

| Bit | Name      | Function   |
|-----|-----------|--|
| 7:0 | N32_[7:0] | <b>N32_[7:0].</b><br>Sets value for input divider for CKIN2.<br>00000000000000000000 = 1<br>00000000000000000001 = 2<br>00000000000000000010 = 3<br>...<br>11111111111111111111 = $2^{19}$<br>Valid divider values = [1, 2, 3, ..., $2^{19}$ ] |



**Register 55.**

| Bit         | D7 | D6 | D5               | D4 | D3 | D2              | D1 | D0 |
|-------------|----|----|------------------|----|----|-----------------|----|----|
| <b>Name</b> |    |    | CLKIN2RATE_[2:0] |    |    | CLKIN1RATE[2:0] |    |    |
| <b>Type</b> | R  | R  | R/W              |    |    | R/W             |    |    |

Reset value = 0000 0000

| Bit | Name             | Function  |
|-----|------------------|---|
| 7:6 | Reserved         | <b>Reserved.</b>  |
| 5:3 | CLKIN2RATE[2:0]  | <b>CLKIN2RATE_[2:0].</b><br>CKINn frequency selection for FOS alarm monitoring.<br>000: 10–27 MHz<br>001: 25–54 MHz<br>002: 50–105 MHz<br>003: 95–215 MHz<br>004: 190–435 MHz<br>005: 375–710 MHz<br>006: Reserved<br>007: Reserved |
| 2:0 | CLKIN1RATE [2:0] | <b>CLKIN1RATE[2:0].</b><br>CKINn frequency selection for FOS alarm monitoring.<br>000: 10–27 MHz<br>001: 25–54 MHz<br>002: 50–105 MHz<br>003: 95–215 MHz<br>004: 190–435 MHz<br>005: 375–710 MHz<br>006: Reserved<br>007: Reserved  |

## Register 128.

| Bit  | D7 | D6 | D5 | D4 | D3 | D2 | D1           | D0           |
|------|----|----|----|----|----|----|--------------|--------------|
| Name |    |    |    |    |    |    | CK2_ACTV_REG | CK1_ACTV_REG |
| Type | R  | R  | R  | R  | R  | R  | R            | R            |

Reset value = 0010 0000

| Bit | Name         | Function  |
|-----|--------------|---|
| 7:2 | Reserved     | <b>Reserved.</b>  |
| 1   | CK2_ACTV_REG | <b>CK2_ACTV_REG.</b><br>Indicates if CKIN2 is currently the active clock for the PLL input.<br>0: CKIN2 is not the active input clock. Either it is not selected or LOS2_INT is 1.<br>1: CKIN2 is the active input clock. |
| 0   | CK1_ACTV_REG | <b>CK1_ACTV_REG.</b><br>Indicates if CKIN1 is currently the active clock for the PLL input.<br>0: CKIN1 is not the active input clock. Either it is not selected or LOS1_INT is 1.<br>1: CKIN1 is the active input clock. |

## Register 129.

| Bit  | D7 | D6 | D5 | D4 | D3 | D2       | D1       | D0       |
|------|----|----|----|----|----|----------|----------|----------|
| Name |    |    |    |    |    | LOS2_INT | LOS1_INT | LOSX_INT |
| Type | R  | R  | R  | R  | R  | R        | R        | R        |

Reset value = 0000 0110

| Bit | Name     | Function  |
|-----|----------|---|
| 7:3 | Reserved | <b>Reserved.</b>  |
| 2   | LOS2_INT | <b>LOS2_INT.</b><br>Indicates the LOS status on CKIN2.<br>0: Normal operation.<br>1: Internal loss-of-signal alarm on CKIN2 input.  |
| 1   | LOS1_INT | <b>LOS1_INT.</b><br>Indicates the LOS status on CKIN1.<br>0: Normal operation.<br>1: Internal loss-of-signal alarm on CKIN1 input.  |
| 0   | LOSX_INT | <b>LOSX_INT.</b><br>Indicates the LOS status of the external reference on the XA/XB pins.<br>0: Normal operation.<br>1: Internal loss-of-signal alarm on XA/XB reference clock input. |

**Register 130.**

| Bit  | D7 | D6           | D5 | D4 | D3 | D2       | D1       | D0      |
|------|----|--------------|----|----|----|----------|----------|---------|
| Name |    | DIGHOLDVALID |    |    |    | FOS2_INT | FOS1_INT | LOL_INT |
| Type | R  | R            | R  | R  | R  | R        | R        | R       |

Reset value = 0000 0001

| Bit | Name         | Function  |
|-----|--------------|---|
| 7   | Reserved     | <b>Reserved.</b>  |
| 6   | DIGHOLDVALID | <b>Digital Hold Valid.</b><br>Indicates if the digital hold circuit has enough samples of a valid clock to meet digital hold specifications.<br>0: Indicates digital hold history registers have not been filled. The digital hold output frequency may not meet specifications.<br>1: Indicates digital hold history registers have been filled. The digital hold output frequency is valid. |
| 5:3 | Reserved     | <b>Reserved.</b>  |
| 2   | FOS2_INT     | <b>CKIN2 Frequency Offset Status.</b><br>0: Normal operation.<br>1: Internal frequency offset alarm on CKIN2 input.   |
| 1   | FOS1_INT     | <b>CKIN1 Frequency Offset Status.</b><br>0: Normal operation.<br>1: Internal frequency offset alarm on CKIN1 input.   |
| 0   | LOL_INT      | <b>PLL Loss of Lock Status.</b><br>0: PLL locked.<br>1: PLL unlocked.   |

## Register 131.

| Bit  | D7 | D6 | D5 | D4 | D3 | D2       | D1       | D0       |
|------|----|----|----|----|----|----------|----------|----------|
| Name |    |    |    |    |    | LOS2_FLG | LOS1_FLG | LOSX_FLG |
| Type | R  | R  | R  | R  | R  | R/W      | R/W      | R/W      |

Reset value = 0001 1111

| Bit | Name     | Function  |
|-----|----------|---|
| 7:3 | Reserved | <b>Reserved.</b>  |
| 2   | LOS2_FLG | <b>CKIN2 Loss-of-Signal Flag.</b><br>0: Normal operation.<br>1: Held version of LOS2_INT. Generates active output interrupt if output interrupt pin is enabled (INT_PIN = 1) and if not masked by LOS2_MSK bit. Flag cleared by writing 0 to this bit.                                    |
| 1   | LOS1_FLG | <b>CKIN1 Loss-of-Signal Flag.</b><br>0: Normal operation<br>1: Held version of LOS1_INT. Generates active output interrupt if output interrupt pin is enabled (INT_PIN = 1) and if not masked by LOS1_MSK bit. Flag cleared by writing 0 to this bit.                                     |
| 0   | LOSX_FLG | <b>External Reference (signal on pins XA/XB) Loss-of-Signal Flag.</b><br>0: Normal operation<br>1: Held version of LOSX_INT. Generates active output interrupt if output interrupt pin is enabled (INT_PIN = 1) and if not masked by LOSX_MSK bit. Flag cleared by writing 0 to this bit. |

**Register 132.**

| Bit  | D7 | D6 | D5 | D4 | D3       | D2       | D1      | D0 |
|------|----|----|----|----|----------|----------|---------|----|
| Name |    |    |    |    | FOS2_FLG | FOS1_FLG | LOL_FLG |    |
| Type | R  | R  | R  | R  | R/W      | R/W      | R/W     | R  |

Reset value = 0000 0010

| Bit | Name     | Function   |
|-----|----------|--|
| 7:4 | Reserved | <b>Reserved.</b>   |
| 3   | FOS2_FLG | <b>CLKIN_2 Frequency Offset Flag.</b><br>0: Normal operation.<br>1: Held version of FOS2_INT. Generates active output interrupt if output interrupt pin is enabled (INT_PIN = 1) and if not masked by FOS2_MSK bit. Flag cleared by writing 0 to this bit. |
| 2   | FOS1_FLG | <b>CLKIN_1 Frequency Offset Flag.</b><br>0: Normal operation<br>1: Held version of FOS1_INT. Generates active output interrupt if output interrupt pin is enabled (INT_PIN = 1) and if not masked by FOS1_MSK bit. Flag cleared by writing 0 to this bit.  |
| 1   | LOL_FLG  | <b>PLL Loss of Lock Flag.</b><br>0: PLL locked<br>1: Held version of LOL_INT. Generates active output interrupt if output interrupt pin is enabled (INT_PIN = 1) and if not masked by LOL_MSK bit. Flag cleared by writing 0 to this bit.                  |
| 0   | Reserved | <b>Reserved.</b>   |

# Si5324

## Register 134.

| Bit  | D7                | D6 | D5 | D4 | D3 | D2 | D1 | D0 |
|------|-------------------|----|----|----|----|----|----|----|
| Name | PARTNUM_RO [11:4] |    |    |    |    |    |    |    |
| Type | R                 |    |    |    |    |    |    |    |

Reset value = 0000 0001

| Bit | Name              | Function  |
|-----|-------------------|---|
| 7:0 | PARTNUM_RO [11:0] | <b>Device ID (1 of 2).</b><br>0000 0001 1000: Si5324<br>Others Reserved |

## Register 135.

| Bit  | D7               | D6 | D5 | D4 | D3             | D2 | D1 | D0 |
|------|------------------|----|----|----|----------------|----|----|----|
| Name | PARTNUM_RO [3:0] |    |    |    | REVID_RO [3:0] |    |    |    |
| Type | R                |    |    |    | R              |    |    |    |

Reset value = 1000 0010

| Bit | Name              | Function  |
|-----|-------------------|---|
| 7:4 | PARTNUM_RO [11:0] | <b>Device ID (2 of 2).</b><br>0000 0001 1000: Si5324<br>Others Reserved             |
| 3:0 | REVID_RO [3:0]    | <b>Indicates Revision Number of Device.</b><br>0010: Revision C<br>Others Reserved. |

**Register 136.**

| Bit         | D7      | D6   | D5 | D4 | D3 | D2 | D1 | D0 |
|-------------|---------|------|----|----|----|----|----|----|
| <b>Name</b> | RST_REG | ICAL |    |    |    |    |    |    |
| <b>Type</b> | R/W     | R/W  | R  | R  | R  | R  | R  | R  |

Reset value = 0000 0000

| Bit | Name     | Function   |
|-----|----------|--|
| 7   | RST_REG  | <p><b>Internal Reset (Same as Pin Reset).</b></p> <p><b>Note:</b> The I<sup>2</sup>C (or SPI) port may not be accessed until 10 ms after RST_REG is asserted.</p> <p>0: Normal operation.</p> <p>1: Reset of all internal logic. Outputs disabled or tristated during reset.</p>   |
| 6   | ICAL     | <p><b>Start an Internal Calibration Sequence.</b></p> <p>For proper operation, the device must go through an internal calibration sequence. ICAL is a self-clearing bit. Writing a one to this location initiates an ICAL. The calibration is complete once the LOL alarm goes low. A valid stable clock (within 100 ppm) must be present to begin ICAL.</p> <p><b>Note:</b> Any divider, CLKINn_RATE or BWSEL_REG changes require an ICAL to take effect.</p> <p>0: Normal operation.</p> <p>1: Writing a "1" initiates internal self-calibration. Upon completion of internal self-calibration, LOL will go low.</p> |
| 5:0 | Reserved | <b>Reserved.</b>   |

## Register 137.

| Bit  | D7 | D6 | D5 | D4 | D3 | D2 | D1 | D0       |
|------|----|----|----|----|----|----|----|----------|
| Name |    |    |    |    |    |    |    | FASTLOCK |
| Type | R  | R  | R  | R  | R  | R  | R  | R/W      |

Reset value = 0000 0000

| Bit | Name     | Function  |
|-----|----------|---|
| 7:1 | Reserved | Do not modify.  |
| 0   | FASTLOCK | This bit must be set to 1 to enable FASTLOCK. This improves initial lock time by dynamically changing the loop bandwidth. |

## Register 138.

| Bit  | D7 | D6 | D5 | D4 | D3 | D2 | D1            | D0            |
|------|----|----|----|----|----|----|---------------|---------------|
| Name |    |    |    |    |    |    | LOS2_EN [1:1] | LOS1_EN [1:1] |
| Type | R  | R  | R  | R  | R  | R  | R/W           | R/W           |

Reset value = 0000 1111

| Bit | Name          | Function  |
|-----|---------------|---|
| 7:2 | Reserved      | <b>Reserved.</b>  |
| 1   | LOS2_EN [1:0] | <p><b>Enable CKIN2 LOS Monitoring on the Specified Input (2 of 2).</b></p> <p><b>Note:</b> LOS2_EN is split between two registers.<br/>           00: Disable LOS monitoring.<br/>           01: Reserved.<br/>           10: Enable LOSA monitoring.<br/>           11: Enable LOS monitoring.<br/>           LOSA is a slower and less sensitive version of LOS. See the Family Reference Manual for details.</p> |
| 0   | LOS1_EN [1:0] | <p><b>Enable CKIN1 LOS Monitoring on the Specified Input (1 of 2).</b></p> <p><b>Note:</b> LOS1_EN is split between two registers.<br/>           00: Disable LOS monitoring.<br/>           01: Reserved.<br/>           10: Enable LOSA monitoring.<br/>           11: Enable LOS monitoring.<br/>           LOSA is a slower and less sensitive version of LOS. See the Family Reference Manual for details.</p> |



**Register 139.**

| Bit  | D7 | D6 | D5            | D4            | D3 | D2 | D1      | D0      |
|------|----|----|---------------|---------------|----|----|---------|---------|
| Name |    |    | LOS2_EN [0:0] | LOS1_EN [0:0] |    |    | FOS2_EN | FOS1_EN |
| Type | R  | R  | R/W           | R/W           | R  | R  | R/W     | R/W     |

Reset value = 1111 1111

| Bit | Name          | Function   |
|-----|---------------|--|
| 7:6 | Reserved      | <b>Reserved.</b>   |
| 5   | LOS2_EN [1:0] | <b>Enable CKIN2 LOS Monitoring on the Specified Input (2 of 2).</b><br><b>Note:</b> LOS2_EN is split between two registers.<br>00: Disable LOS monitoring.<br>01: Reserved.<br>10: Enable LOSA monitoring.<br>11: Enable LOS monitoring.<br>LOSA is a slower and less sensitive version of LOS. See the family reference manual for details. |
| 4   | LOS_EN [1:0]  | <b>Enable CKIN1 LOS Monitoring on the Specified Input (1 of 2).</b><br><b>Note:</b> LOS1_EN is split between two registers.<br>00: Disable LOS monitoring.<br>01: Reserved.<br>10: Enable LOSA monitoring.<br>11: Enable LOS monitoring.<br>LOSA is a slower and less sensitive version of LOS. See the family reference manual for details. |
| 3:2 | Reserved      | <b>Reserved.</b>   |
| 1   | FOS2_EN       | <b>Enables FOS on a Per Channel Basis.</b><br>0: Disable FOS monitoring.<br>1: Enable FOS monitoring.  |
| 0   | FOS1_EN       | <b>Enables FOS on a Per Channel Basis.</b><br>0: Disable FOS monitoring.<br>1: Enable FOS monitoring.  |

---

**Register 142.**

---

| Bit  | D7                     | D6 | D5 | D4 | D3 | D2 | D1 | D0 |
|------|------------------------|----|----|----|----|----|----|----|
| Name | INDEPENDENTSKEW1 [7:0] |    |    |    |    |    |    |    |
| Type | R/W                    |    |    |    |    |    |    |    |

Reset value = 0000 0000

| Bit | Name                   | Function  |
|-----|------------------------|---|
| 7:0 | INDEPENDENTSKEW1 [7:0] | <b>INDEPENDENTSKEW1.</b><br>8 bit field that represents a twos complement of the phase offset in terms of clocks from the high speed output divider. Default = 0. |

---

**Register 143.**

---

| Bit  | D7                     | D6 | D5 | D4 | D3 | D2 | D1 | D0 |
|------|------------------------|----|----|----|----|----|----|----|
| Name | INDEPENDENTSKEW2 [7:0] |    |    |    |    |    |    |    |
| Type | R/W                    |    |    |    |    |    |    |    |

Reset value = 0000 0000

| Bit | Name                   | Function  |
|-----|------------------------|---|
| 7:0 | INDEPENDENTSKEW2 [7:0] | <b>INDEPENDENTSKEW2.</b><br>8 bit field that represents a twos complement of the phase offset in terms of clocks from the high speed output divider. Default = 0. |

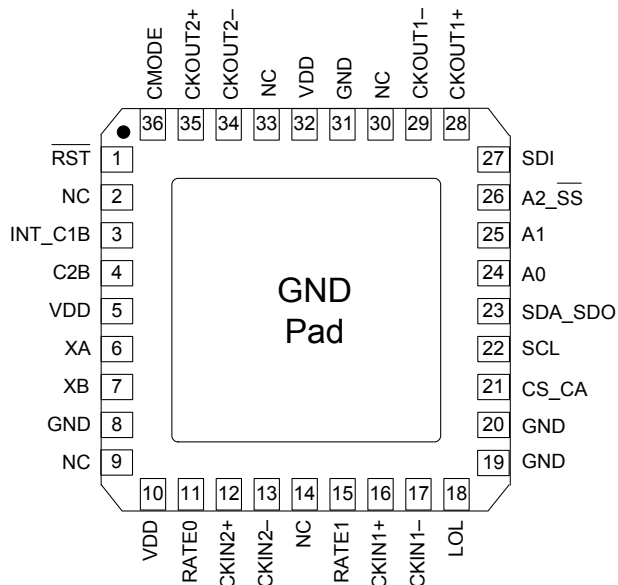
## 5.1. ICAL

The device's registers must be configured for the intended applications. After the part is configured, the part must perform a calibration procedure when there is a stable clock on the selected CLKINn input. The calibration process is triggered by writing a "1" to bit D6 in register 136. See the Family Reference Manual for details. In addition, after a successful calibration operation, changing any of the Registers indicated in Table 12 requires that a calibration be performed again by the same procedure (writing a "1" to bit D6 in register 136).

**Table 12. ICAL-Sensitive Registers**

| Address | Register        |
|---------|-----------------|
| 0       | BYPASS_REG      |
| 0       | CKOUT_ALWAYS_ON |
| 1       | CK_PRIOR1       |
| 1       | CK_PRIOR2       |
| 2       | BWSEL_REG       |
| 4       | HIST_DEL        |
| 5       | ICMOS           |
| 7       | FOSREFSEL       |
| 9       | HIST_AVG        |
| 10      | DSBL1_REG       |
| 10      | DSBL2_REG       |
| 11      | PD_CK1          |
| 11      | PD_CK2          |
| 19      | FOS_EN          |
| 19      | FOS_THR         |
| 19      | LOCKT           |
| 19      | VALTIME         |
| 25      | N1HS            |
| 31      | NC1_LS          |
| 34      | NC2_LS          |
| 40      | N2_HS           |
| 40      | N2_LS           |
| 43      | N31             |
| 46      | N32             |
| 55      | CLKIN1RATE      |
| 55      | CLKIN2RATE      |

## 6. Pin Descriptions



| Pin #   | Pin Name                | I/O | Signal Level | Description  |
|---|-------------------------|-----|--------------|--|
| 1   | $\overline{\text{RST}}$ | I   | LVC MOS      | <p><b>External Reset.</b></p> <p>Active low input that performs external hardware reset of device. Resets all internal logic to a known state and forces the device registers to their default value. Clock outputs are disabled during reset. The part must be programmed after a reset or power-on to get a clock output. See Family Reference Manual for details. This pin has a weak pull-up.</p>  |
| 2, 9, 14, 30, 33  | NC                      |     |              | <p><b>No Connection.</b></p> <p>Leave floating. Make no external connections to this pin for normal operation.</p>   |
| 3   | INT_C1B                 | O   | LVC MOS      | <p><b>Interrupt/CKIN1 Invalid Indicator.</b></p> <p>This pin functions as a device interrupt output or an alarm output for CKIN1. If used as an interrupt output, <i>INT_PIN</i> must be set to 1. The pin functions as a maskable interrupt output with active polarity controlled by the <i>INT_POL</i> register bit.</p> <p>If used as an alarm output, the pin functions as a LOS (and optionally FOS) alarm indicator for CKIN1. Set <i>CK1_BAD_PIN</i> = 1 and <i>INT_PIN</i> = 0.</p> <p>0 = CKIN1 present.<br/>1 = LOS (FOS) on CKIN1.</p> <p>The active polarity is controlled by <i>CK_BAD_POL</i>. If no function is selected, the pin tristates.</p> |
| <p><b>Note:</b> Internal register names are indicated by underlined italics, e.g., <i>INT_PIN</i>. See Si5324 Register Map.</p> |                         |     |              |  |

| Pin #   | Pin Name         | I/O             | Signal Level | Description  |
|---|------------------|-----------------|--------------|--|
| 4   | C2B              | O               | LVC MOS      | <b>CKIN2 Invalid Indicator.</b><br>This pin functions as a LOS (and optionally FOS) alarm indicator for CKIN2 if CK2_BAD_PIN = 1.<br>0 = CKIN2 present.<br>1 = LOS (FOS) on CKIN2.<br>The active polarity can be changed by CK_BAD_POL. If CK2_BAD_PIN = 0, the pin tristates.   |
| 5, 10, 32   | V <sub>DD</sub>  | V <sub>DD</sub> | Supply       | <b>Supply.</b><br>The device operates from a 1.8, 2.5, or 3.3 V supply. Bypass capacitors should be associated with the following V <sub>DD</sub> pins:<br>5      0.1 μF<br>10     0.1 μF<br>32     0.1 μF<br>A 1.0 μF should also be placed as close to the device as is practical.   |
| 7<br>6  | XB<br>XA         | I               | Analog       | <b>External Crystal or Reference Clock.</b><br>External crystal should be connected to these pins to use internal oscillator based reference. Refer to Family Reference Manual for interfacing to an external reference. External reference must be from a high-quality clock source (TCXO, OCXO). Frequency of crystal or external clock is set by RATE[1:0] pins.  |
| 8, 31, 20,<br>19  | GND              | GND             | Supply       | <b>Ground.</b><br>Must be connected to system ground. Minimize the ground path impedance for optimal performance of this device. Grounding these pins does not eliminate the requirement to ground the GND PAD on the bottom of the package.   |
| 11<br>15  | RATE0<br>RATE1   | I               | 3-Level      | <b>External Crystal or Reference Clock Rate.</b><br>Three level inputs that select the type and rate of external crystal or reference clock to be applied to the XA/XB port. Refer to the Family Reference Manual for settings. These pins have both a weak pull-up and a weak pull-down; they default to M.<br>L setting corresponds to ground.<br>M setting corresponds to V <sub>DD</sub> /2.<br>H setting corresponds to V <sub>DD</sub> .<br>Some designs may require an external resistor voltage divider when driven by an active device that will tri-state. |
| 16<br>17  | CKIN1+<br>CKIN1- | I               | Multi        | <b>Clock Input 1.</b><br>Differential input clock. This input can also be driven with a single-ended signal. Input frequency range is 2 kHz to 710 MHz.  |
| 12<br>13  | CKIN2+<br>CKIN2- | I               | Multi        | <b>Clock Input 2.</b><br>Differential input clock. This input can also be driven with a single-ended signal. Input frequency range is 2 kHz to 710 MHz.  |
| <b>Note:</b> Internal register names are indicated by underlined italics, e.g., <i>INT_PIN</i> . See Si5324 Register Map. |                  |                 |              |  |

| Pin #   | Pin Name | I/O | Signal Level | Description   |
|---|----------|-----|--------------|---|
| 18  | LOL      | O   | LVC MOS      | <p><b>PLL Loss of Lock Indicator.</b></p> <p>This pin functions as the active high PLL loss of lock indicator if the LOL_PIN register bit is set to 1.</p> <p>0 = PLL locked.<br/>1 = PLL unlocked.</p> <p>If <i>LOL_PIN</i> = 0, this pin will tristate. Active polarity is controlled by the <i>LOL_POL</i> bit. The PLL lock status will always be reflected in the <i>LOL_INT</i> read only register bit (see “AN803: Lock and Settling Time Considerations for Si5324/27/69/74 Any-Frequency Jitter Attenuating Clock ICs” for additional details).</p>  |
| 21  | CS_CA    | I/O | LVC MOS      | <p><b>Input Clock Select/Active Clock Indicator.</b></p> <p><b>Input:</b> In manual clock selection mode, this pin functions as the manual input clock selector if the <i>CKSEL_PIN</i> is set to 1.</p> <p>0 = Select CKIN1.<br/>1 = Select CKIN2.</p> <p>If <i>CKSEL_PIN</i> = 0, the <i>CKSEL_REG</i> register bit controls this function and this input tristates. If configured for input, must be tied high or low.</p> <p><b>Output:</b> In automatic clock selection mode, this pin indicates which of the two input clocks is currently the active clock. If alarms exist on both clocks, <i>CK_ACTV</i> will indicate the last active clock that was used before entering the digital hold state. The <i>CK_ACTV_PIN</i> register bit must be set to 1 to reflect the active clock status to the <i>CK_ACTV</i> output pin.</p> <p>0 = CKIN1 active input clock.<br/>1 = CKIN2 active input clock.</p> <p>If <i>CK_ACTV_PIN</i> = 0, this pin will tristate. The <i>CK_ACTV</i> status will always be reflected in the <i>CK_ACTV_REG</i> read only register bit.</p> |
| 22  | SCL      | I   | LVC MOS      | <p><b>Serial Clock.</b></p> <p>This pin functions as the serial clock input for both SPI and I<sup>2</sup>C modes.</p> <p>This pin has a weak pull-down.</p>  |
| 23  | SDA_SDO  | I/O | LVC MOS      | <p><b>Serial Data.</b></p> <p>In I<sup>2</sup>C control mode (CMODE = 0), this pin functions as the bidirectional serial data port.</p> <p>In SPI control mode (CMODE = 1), this pin functions as the serial data output.</p>   |
| 25<br>24  | A1<br>A0 | I   | LVC MOS      | <p><b>Serial Port Address.</b></p> <p>In I<sup>2</sup>C control mode (CMODE = 0), these pins function as hardware controlled address bits. The I<sup>2</sup>C address is 1101 [A2] [A1] [A0].</p> <p>In SPI control mode (CMODE = 1), these pins are ignored.</p> <p>These pins have a weak pull-down.</p>  |
| <p><b>Note:</b> Internal register names are indicated by underlined italics, e.g., <i>INT_PIN</i>. See Si5324 Register Map.</p> |          |     |              |   |

| Pin #   | Pin Name           | I/O | Signal Level | Description  |
|---|--------------------|-----|--------------|--|
| 26  | A2_SS              | I   | LVC MOS      | <b>Serial Port Address/Slave Select.</b><br>In I <sup>2</sup> C control mode (CMODE = 0), this pin functions as a hardware controlled address bit [A2].<br>In SPI control mode (CMODE = 1), this pin functions as the slave select input.<br>This pin has a weak pull-down.  |
| 27  | SDI                | I   | LVC MOS      | <b>Serial Data In.</b><br>In I <sup>2</sup> C control mode (CMODE = 0), this pin is ignored.<br>In SPI control mode (CMODE = 1), this pin functions as the serial data input.<br>This pin has a weak pull-down.  |
| 29<br>28  | CKOUT1–<br>CKOUT1+ | O   | Multi        | <b>Output Clock 1.</b><br>Differential output clock with a frequency range of 8 kHz to 1.4175 GHz. Output signal format is selected by <i>SFOUT1_REG</i> register bits. Output is differential for LVPECL, LVDS, and CML compatible modes. For CMOS format, both output pins drive identical single-ended clock outputs. |
| 34<br>35  | CKOUT2–<br>CKOUT2+ | O   | Multi        | <b>Output Clock 2.</b><br>Differential output clock with a frequency range of 8 kHz to 1.4175 GHz. Output signal format is selected by <i>SFOUT2_REG</i> register bits. Output is differential for LVPECL, LVDS, and CML compatible modes. For CMOS format, both output pins drive identical single-ended clock outputs. |
| 36  | CMODE              | I   | LVC MOS      | <b>Control Mode.</b><br>Selects I <sup>2</sup> C or SPI control mode for the Si5324.<br>0 = I <sup>2</sup> C Control Mode<br>1 = SPI Control Mode<br>This pin must not be NC. Tie either high or low.  |
| GND PAD   | GND                | GND | Supply       | <b>Ground Pad.</b><br>The ground pad must provide a low thermal and electrical impedance to a ground plane.  |
| <b>Note:</b> Internal register names are indicated by underlined italics, e.g., <i>INT_PIN</i> . See Si5324 Register Map. |                    |     |              |  |

## 7. Ordering Guide

| Ordering Part Number <sup>1</sup> | Output Clock Frequency Range                     | Package              | ROHS6, Pb-Free | Temperature Range |
|-----------------------------------|--|----------------------|----------------|-------------------|
| Si5324A-C-GM <sup>2</sup>         | 2 kHz–945 MHz<br>970–1134 MHz<br>1.213–1.417 GHz | 36-Lead 6 x 6 mm QFN | Yes            | –40 to 85 °C      |
| Si5324B-C-GM <sup>2</sup>         | 2 kHz–808 MHz                                    | 36-Lead 6 x 6 mm QFN | Yes            | –40 to 85 °C      |
| Si5324C-C-GM <sup>2</sup>         | 2 kHz–346 MHz                                    | 36-Lead 6 x 6 mm QFN | Yes            | –40 to 85 °C      |
| Si5324D-C-GM <sup>2</sup>         | 2 kHz–150 MHz                                    | 36-Lead 6 x 6 mm QFN | Yes            | –40 to 85 °C      |
| Si5324E-C-GM <sup>3</sup>         | 2 kHz–945 MHz<br>970–1134 MHz<br>1.213–1.417 GHz | 36-Lead 6 x 6 mm QFN | Yes            | –40 to 85 °C      |

**Notes:**

1. Add an R at the end of the device to denote tape and reel options.
2. These OPNs are recommended for all new designs. Refer to AN803 for more information.
3. This OPN is intended for use in legacy designs in which the Si5324 device must retain the original lock time behavior as described in AN803 and Product Bulletin (PB-1312191): “Si5324, Si5374, Si5374 Loss of Lock (LOL) Time Behavior: New Applications Note and Ordering Options”.



Table 13. Product Selection Guide

| Part Number | Control              | Number of Inputs and Outputs | Input Frequency (MHz)* | Output Frequency (MHz)* | RMS Phase Jitter (12 kHz–20 MHz) | PLL Bandwidth  | Hitless Switching | Free Run Mode | Package           |
|-------------|----------------------|------------------------------|------------------------|-------------------------|----------------------------------|----------------|-------------------|---------------|-------------------|
| Si5315      | Pin                  | 1PLL, 2   2                  | 0.008–644              | 0.008–644               | 0.45 ps                          | 60 Hz to 8 kHz | •                 |               | 6x6 mm 36-QFN     |
| Si5316      | Pin                  | 1PLL, 2   1                  | 19–710                 | 19–710                  | 0.3 ps                           | 60 Hz to 8 kHz |                   |               | 6x6 mm 36-QFN     |
| Si5317      | Pin                  | 1PLL, 1   2                  | 1–710                  | 1–710                   | 0.3 ps                           | 60 Hz to 8 kHz |                   |               | 6x6 mm 36-QFN     |
| Si5319      | I <sup>2</sup> C/SPI | 1PLL, 1   1                  | 0.002–710              | 0.002–1417              | 0.3 ps                           | 60 Hz to 8 kHz |                   | •             | 6x6 mm 36-QFN     |
| Si5323      | Pin                  | 1PLL, 2   2                  | 0.008–707              | 0.008–1050              | 0.3 ps                           | 60 Hz to 8 kHz | •                 |               | 6x6 mm 36-QFN     |
| Si5324      | I <sup>2</sup> C/SPI | 1PLL, 2   2                  | 0.002–710              | 0.002–1417              | 0.3 ps                           | 4 Hz to 525 Hz | •                 | •             | 6x6 mm 36-QFN     |
| Si5326      | I <sup>2</sup> C/SPI | 1PLL, 2   2                  | 0.002–710              | 0.002–1417              | 0.3 ps                           | 60 Hz to 8 kHz | •                 | •             | 6x6 mm 36-QFN     |
| Si5327      | I <sup>2</sup> C/SPI | 1PLL, 2   2                  | 0.002–710              | 0.002–808               | 0.5 ps                           | 60 Hz to 8 kHz | •                 | •             | 6x6 mm 36-QFN     |
| Si5366      | Pin                  | 1PLL, 4   5                  | 0.008–707              | 0.008–1050              | 0.3 ps                           | 60 Hz to 8 kHz | •                 |               | 14x14 mm 100-TQFP |
| Si5368      | I <sup>2</sup> C/SPI | 1PLL, 4   5                  | 0.002–710              | 0.002–1417              | 0.3 ps                           | 60 Hz to 8 kHz | •                 | •             | 14x14 mm 100-TQFP |
| Si5369      | I <sup>2</sup> C/SPI | 1PLL, 4   5                  | 0.002–710              | 0.002–1417              | 0.3 ps                           | 4 Hz to 525 Hz | •                 | •             | 14x14 mm 100-TQFP |
| Si5374      | I <sup>2</sup> C     | 4PLL, 8   8                  | 0.002–710              | 0.002–808               | 0.4 ps                           | 4 Hz to 525 Hz | •                 | •             | 10x10 mm 80-BGA   |
| Si5375      | I <sup>2</sup> C     | 4PLL, 4   4                  | 0.002–710              | 0.002–808               | 0.4 ps                           | 60 Hz to 8 kHz | •                 | •             | 10x10 mm 80-BGA   |

**\*Note:** Maximum input and output rates may be limited by speed rating of device. See each device's data sheet for ordering information.

**Table 14. Product Selection Guide (Si5322/25/65/67)**

| Device   | Clock Inputs | Clock Outputs | μP Control | Max Input Freq (MHz) <sup>1</sup> | Max Output Frequency (MHz) | Jitter Generation<br>(12 kHz – 20 MHz) | LOS | Hitless Switching | FOS Alarm | LOL Alarm | FSYNC Realignment | 36 Lead 6 mm x 6 mm QFN | 100 Lead 14 x 14 mm TQFP | 1.8, 2.5, 3.3 V Operation | 1.8, 2.5 V Operation |
|--|--------------|---------------|------------|-----------------------------------|----------------------------|--|-----|-------------------|-----------|-----------|-------------------|-------------------------|--------------------------|---------------------------|----------------------|
| <b>Low Jitter Precision Clock Multipliers (Wideband)</b>   |              |               |            |                                   |                            |  |     |                   |           |           |                   |                         |                          |                           |                      |
| Si5322   | 2            | 2             |            | 707                               | 1050                       | 0.6 ps rms typ                         | •   |                   |           |           |                   | •                       |                          | •                         |                      |
| Si5325   | 2            | 2             | •          | 710                               | 1400                       | 0.6 ps rms typ                         | •   |                   | •         |           |                   | •                       |                          | •                         |                      |
| Si5365   | 4            | 5             |            | 707                               | 1050                       | 0.6 ps rms typ                         | •   |                   | •         |           |                   |                         | •                        |                           | •                    |
| Si5367   | 4            | 5             | •          | 710                               | 1400                       | 0.6 ps rms typ                         | •   |                   | •         |           |                   |                         | •                        |                           | •                    |
| <b>Notes:</b>  |              |               |            |                                   |                            |  |     |                   |           |           |                   |                         |                          |                           |                      |
| 1. Maximum input and output rates may be limited by speed rating of device. See each device's data sheet for ordering information. |              |               |            |                                   |                            |  |     |                   |           |           |                   |                         |                          |                           |                      |
| 2. Requires external low-cost, fixed frequency 3rd overtone 114.285 MHz crystal or reference clock.                                |              |               |            |                                   |                            |  |     |                   |           |           |                   |                         |                          |                           |                      |

## 8. Package Outline: 36-Pin QFN

Figure 9 illustrates the package details for the Si5324. Table 15 lists the values for the dimensions shown in the illustration.

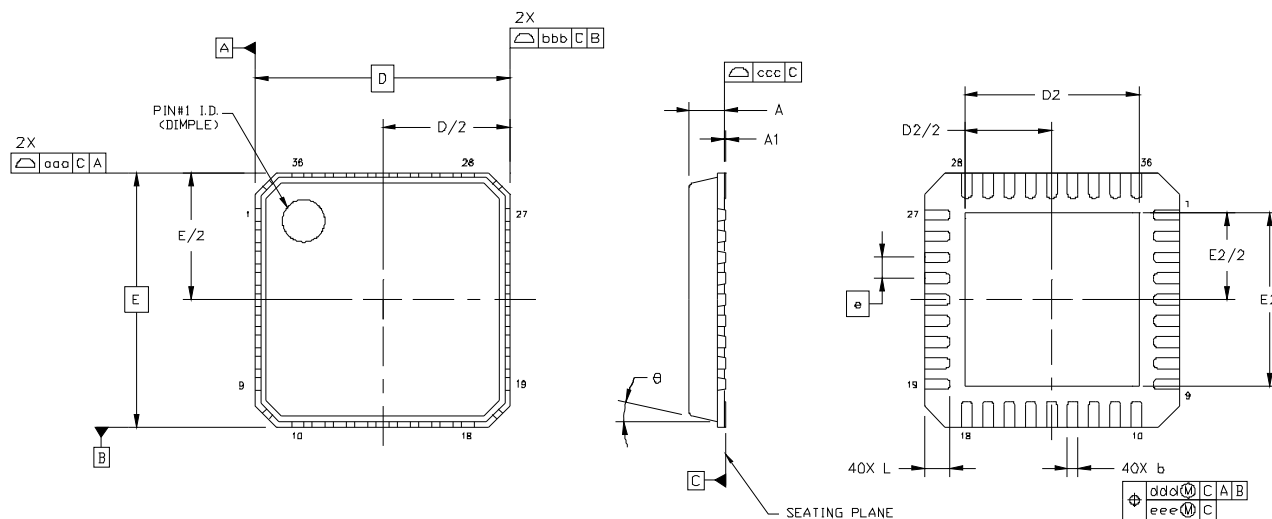


Figure 9. 36-Pin Quad Flat No-lead (QFN)

Table 15. Package Dimensions

| Symbol | Millimeters |      |      | Symbol   | Millimeters |      |      |
|--------|-------------|------|------|----------|-------------|------|------|
|        | Min         | Nom  | Max  |          | Min         | Nom  | Max  |
| A      | 0.80        | 0.85 | 0.90 | L        | 0.50        | 0.60 | 0.70 |
| A1     | 0.00        | 0.02 | 0.05 | $\theta$ | —           | —    | 12°  |
| b      | 0.18        | 0.25 | 0.30 | aaa      | —           | —    | 0.10 |
| D      | 6.00 BSC    |      |      | bbb      | —           | —    | 0.10 |
| D2     | 3.95        | 4.10 | 4.25 | ccc      | —           | —    | 0.08 |
| e      | 0.50 BSC    |      |      | ddd      | —           | —    | 0.10 |
| E      | 6.00 BSC    |      |      | eee      | —           | —    | 0.05 |
| E2     | 3.95        | 4.10 | 4.25 |          |             |      |      |

**Notes:**

- All dimensions shown are in millimeters (mm) unless otherwise noted.
- Dimensioning and Tolerancing per ANSI Y14.5M-1994.
- This drawing conforms to JEDEC outline MO-220, variation VJJD.
- Recommended card reflow profile is per the JEDEC/IPC J-STD-020 specification for Small Body Components.

## 9. PCB Land Pattern

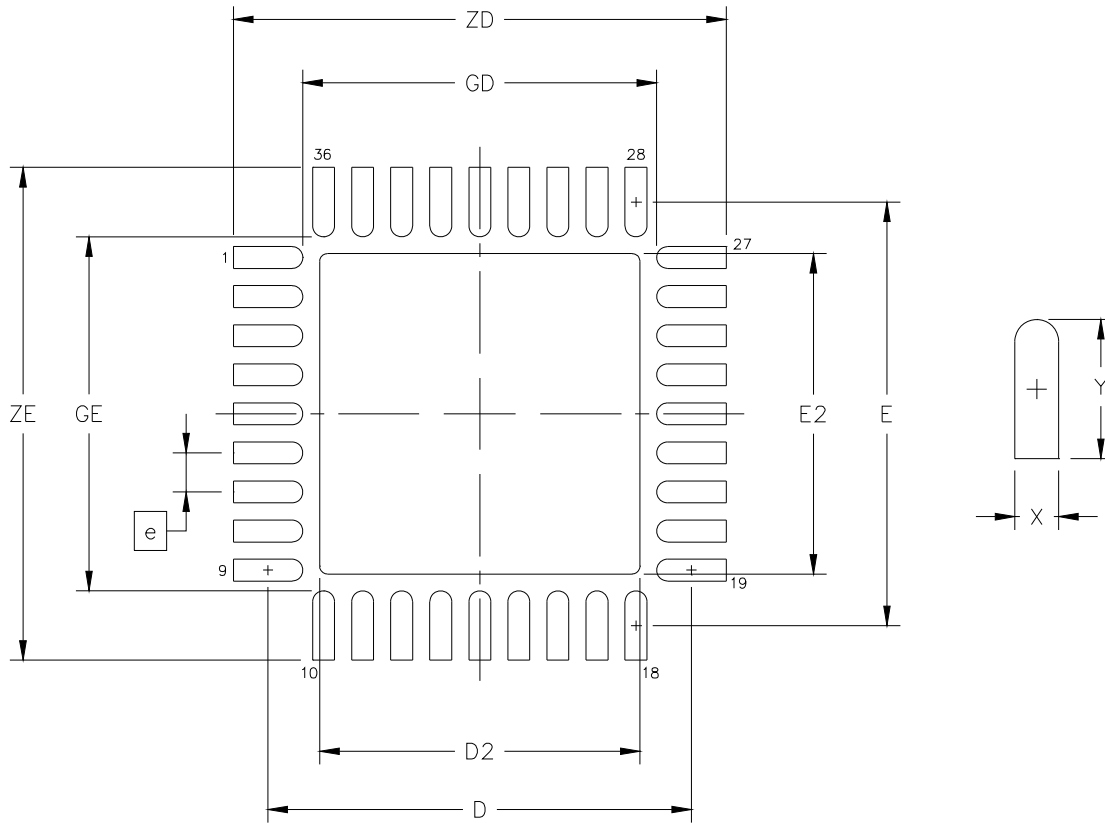


Figure 10. PCB Land Pattern Diagram

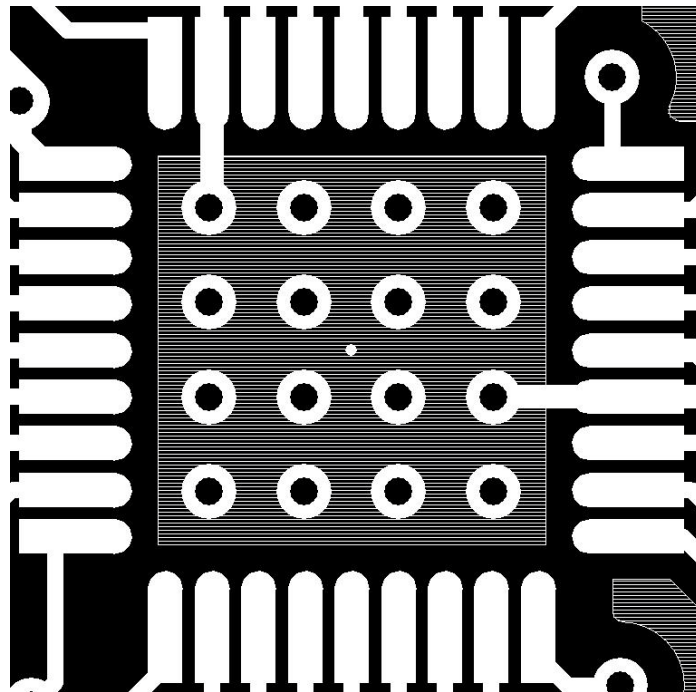


Figure 11. Ground Pad Recommended Layout

Table 16. PCB Land Pattern Dimensions

| Dimension | MIN       | MAX  |
|-----------|-----------|------|
| e         | 0.50 BSC. |      |
| E         | 5.42 REF. |      |
| D         | 5.42 REF. |      |
| E2        | 4.00      | 4.20 |
| D2        | 4.00      | 4.20 |
| GE        | 4.53      | —    |
| GD        | 4.53      | —    |
| X         | —         | 0.28 |
| Y         | 0.89 REF. |      |
| ZE        | —         | 6.31 |
| ZD        | —         | 6.31 |

**Notes:**

**General**

- All dimensions shown are in millimeters (mm) unless otherwise noted.
- Dimensioning and Tolerancing is per the ANSI Y14.5M-1994 specification.
- This Land Pattern Design is based on IPC-SM-782 guidelines.
- All dimensions shown are at Maximum Material Condition (MMC). Least Material Condition (LMC) is calculated based on a Fabrication Allowance of 0.05 mm.

**Solder Mask Design**

- All metal pads are to be non-solder mask defined (NSMD). Clearance between the solder mask and the metal pad is to be 60  $\mu\text{m}$  minimum, all the way around the pad.

**Stencil Design**

- A stainless steel, laser-cut and electro-polished stencil with trapezoidal walls should be used to assure good solder paste release.
- The stencil thickness should be 0.125 mm (5 mils).
- The ratio of stencil aperture to land pad size should be 1:1 for the perimeter pads.
- A 4 x 4 array of 0.80 mm square openings on 1.05 mm pitch should be used for the center ground pad.

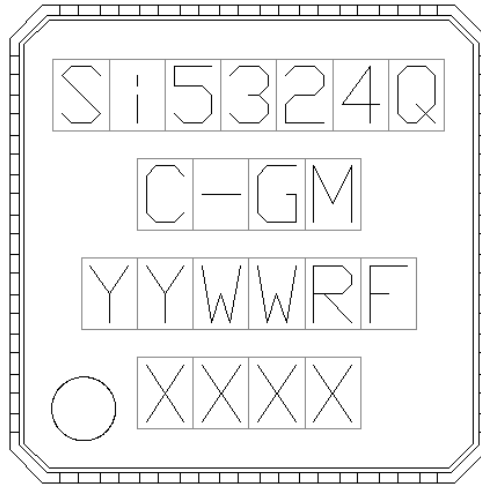
**Card Assembly**

- A No-Clean, Type-3 solder paste is recommended.
- The recommended card reflow profile is per the JEDEC/IPC J-STD-020 specification for Small Body Components.

# Si5324

## 10. Top Marking

### 10.1. Si5324 Top Marking (QFN)



### 10.2. Top Marking Explanation

|                        |                            |   |
|------------------------|----------------------------|---|
| <b>Mark Method:</b>    | Laser                      |   |
| <b>Font Size:</b>      | 0.80 mm<br>Right-Justified |   |
| <b>Line 1 Marking:</b> | Si5324Q                    | Customer Part Number<br>Q = Speed Code: A, B, C, D<br>See Ordering Guide for options.   |
| <b>Line 2 Marking:</b> | C-GM                       | C = Product Revision<br>G = Temperature Range -40 to 85 °C (RoHS6)<br>M = QFN Package   |
| <b>Line 3 Marking:</b> | YYWWRF                     | YY = Year<br>WW = Work Week<br>R = Die Revision<br>F = Internal code<br>Assigned by the Assembly House. Corresponds to the year and work week of the mold date. |
| <b>Line 4 Marking:</b> | Pin 1 Identifier           | Circle = 0.75 mm Diameter<br>Lower-Left Justified   |
|                        | XXXX                       | Internal Code   |

## DOCUMENT CHANGE LIST

### Revision 0.1 to Revision 0.2

- Updated Rise/Fall Time values.
- Updated minimum loop BW value.

### Revision 0.2 to Revision 0.25

- Updated features and applications.
- Changed maximum loop bandwidth to 525 Hz (global).
- Updated PLL performance specifications in Table 1.
- Added Typical Video Phase Noise Plot and data.
- Removed references to Si5325.
- Added note to register CKOUT\_ALWAYS\_ON on how to control output to output skew.
- Added Product Selection Guide to Section “7. Ordering Guide”.
- Corrected typographical errors in Table 1.
- Updated typical phase noise performance page.
- Updated functional description.
- Added additional phase noise plots to Section “3.3. Typical Phase Noise Performance”.
- Updated Register Map.
- Revised Device Top Mark.

### Revision 0.25 to Revision 0.3

- Changed Any-Rate to Any-Frequency
- Changed Table 2, “Absolute Maximum Ratings,” on page 6.
- Added Table 11, “CKOUT\_ALWAYS\_ON and SQ\_ICAL Truth Table,” on page 25
- Added “no bypass with CMOS outputs”

### Revision 0.3 to Revision 1.0

- Expanded spec Tables 1 and 2 to include all specifications in the Reference Manual.
- Reordered sections to conform to data sheet quality convention.
- Added  $t_{SETTLE}$  specification.
- Corrected minor register map typos.
- Minor changes to Table 2.
- Added maximum lock and settle times to Table 3.
- Added titles to Tables 8, 9, and 10.
- Updated/added selection guide Tables 13 and 14.
- Removed SLEEP from register map.
- Added warning about MEMS reference oscillators to “3.1. External Reference” on page 20.

### Revision 1.0 to Revision 1.1

- Added reference to AN803 on pages 11,19,20,34,62.
- Added additional LOL and Settling Time Specs on page 11.
- Added new part numbers on page 64.



## ClockBuilder Pro

One-click access to Timing tools, documentation, software, source code libraries & more. Available for Windows and iOS (CBGo only).

[www.silabs.com/CBPro](http://www.silabs.com/CBPro)



**Timing Portfolio**  
[www.silabs.com/timing](http://www.silabs.com/timing)



**SW/HW**  
[www.silabs.com/CBPro](http://www.silabs.com/CBPro)



**Quality**  
[www.silabs.com/quality](http://www.silabs.com/quality)



**Support and Community**  
[community.silabs.com](http://community.silabs.com)

### Disclaimer

Silicon Laboratories intends to provide customers with the latest, accurate, and in-depth documentation of all peripherals and modules available for system and software implementers using or intending to use the Silicon Laboratories products. Characterization data, available modules and peripherals, memory sizes and memory addresses refer to each specific device, and "Typical" parameters provided can and do vary in different applications. Application examples described herein are for illustrative purposes only. Silicon Laboratories reserves the right to make changes without further notice and limitation to product information, specifications, and descriptions herein, and does not give warranties as to the accuracy or completeness of the included information. Silicon Laboratories shall have no liability for the consequences of use of the information supplied herein. This document does not imply or express copyright licenses granted hereunder to design or fabricate any integrated circuits. The products must not be used within any Life Support System without the specific written consent of Silicon Laboratories. A "Life Support System" is any product or system intended to support or sustain life and/or health, which, if it fails, can be reasonably expected to result in significant personal injury or death. Silicon Laboratories products are generally not intended for military applications. Silicon Laboratories products shall under no circumstances be used in weapons of mass destruction including (but not limited to) nuclear, biological or chemical weapons, or missiles capable of delivering such weapons.

### Trademark Information

Silicon Laboratories Inc., Silicon Laboratories, Silicon Labs, SiLabs and the Silicon Labs logo, CMEMS®, EFM, EFM32, EFR, Energy Micro, Energy Micro logo and combinations thereof, "the world's most energy friendly microcontrollers", Ember®, EZLink®, EZMac®, EZRadio®, EZRadioPRO®, DSPLL®, ISOmodem®, Precision32®, ProSLIC®, SiPHY®, USBXpress® and others are trademarks or registered trademarks of Silicon Laboratories Inc. ARM, CORTEX, Cortex-M3 and THUMB are trademarks or registered trademarks of ARM Holdings. Keil is a registered trademark of ARM Limited. All other products or brand names mentioned herein are trademarks of their respective holders.



Silicon Laboratories Inc.  
400 West Cesar Chavez  
Austin, TX 78701  
USA

<http://www.silabs.com>



## X-ON Electronics

Largest Supplier of Electrical and Electronic Components

*Click to view similar products for [Clock Synthesizer / Jitter Cleaner](#) category:*

*Click to view products by [Silicon Labs](#) manufacturer:*

Other Similar products are found below :

[CY28323OXC](#) [MPC9230EIR2](#) [8T49N287A-998NLGI](#) [8T49N286A-999NLGI](#) [PI6CX201ALE](#) [8T49N285A-999NLGI](#) [PL902166USY](#)  
[954204CGLF](#) [252MI-52LF](#) [9LPRS485DGLF](#) [8T49N285A-998NLGI](#) [P1P8160AG-10CR](#) [DS31406GN+](#) [PL902167USY](#) [8T49N287A-](#)  
[999NLGI](#) [8T49N286A-998NLGI](#) [AD9542BCPZ](#) [8T49N287A-041NLGI](#) [Si5344H-D-GM](#) [8A34001E-000AJG](#) [HMC822LP6CETR](#) [SI5345D-](#)  
[A03700-GM](#) [83PN187DKILF](#) [CS230009-CZZ](#) [8T49N287-999NLGI](#) [84330CYLN](#) [83PN625DKILF](#) [83PN156DKILF](#) [MK2703BSLFTR](#)  
[954101DFLF](#) [AD9578BCPZ-REEL7](#) [SM802124UMG](#) [8T49N286-999NLGI](#) [840001BGLF](#) [251PMLF](#) [SI5324E-C-GM](#) [SI5324D-C-GM](#)  
[PI6CX201ALE](#) [841S101EGILFT](#) [LMK04808BISQ/NOPB](#) [8T49N287-998NLGI](#) [291PGILF](#) [9LRS3165BGLFT](#) [SI2168-D60-GMR](#) [SI5347A-](#)  
[B03693-GM](#) [SI5347A-D-GM](#) [SI5347A-D04325-GM](#) [83PN15639ANRGI](#) [8430252CGI-45LF](#) [9LPRS365BGLFT](#)