

Si5345-D EVALUATION BOARD USER'S GUIDE

Description

The Si5345-D-EVB is used for evaluating the Si5345 Any-Frequency, Any-Output, Jitter-Attenuating Clock Multiplier revision D. The device revision is distinguished by a white 1 inch x 0.187 inch label with the text "Si5345-D-EB" installed in the lower left hand corner of the board. (For ordering purposes only, the terms "EB" and "EVB" refer to the board and the kit respectively. For the purpose of this document, the terms are synonymous in context.)

EVB Features

- Powered from USB port or external power supply.
- Onboard 48 MHz XTAL or Reference SMA Inputs allow holdover mode of operation on the Si5345.
- ClockBuilder® Pro (CBPro) GUI programmable V_{DD} supply allows device to operate from 3.3, 2.5, or 1.8 V.
- CBPro GUI programmable V_{DDO} supplies allow each of the 10 outputs to have its own power supply voltage selectable from 3.3, 2.5, or 1.8 V.
- CBPro GUI-controlled voltage, current, and power measurements of V_{DD} and all V_{DDO} supplies.
- Status LEDs for power supplies and control/status signals of Si5345.
- SMA connectors for input clocks, output clocks, and optional external timing reference clock.



Figure 1. Si5345-D Evaluation Board

Si5345-D-EVB

1. Functional Block Diagram

Below is a functional block diagram of the Si5345-D-EB. This evaluation board can be connected to a PC via the main USB connector for programming, control, and monitoring. See section “3. Quick Start” or section “10.3. Overview of ClockBuilder Pro Applications” for more information.

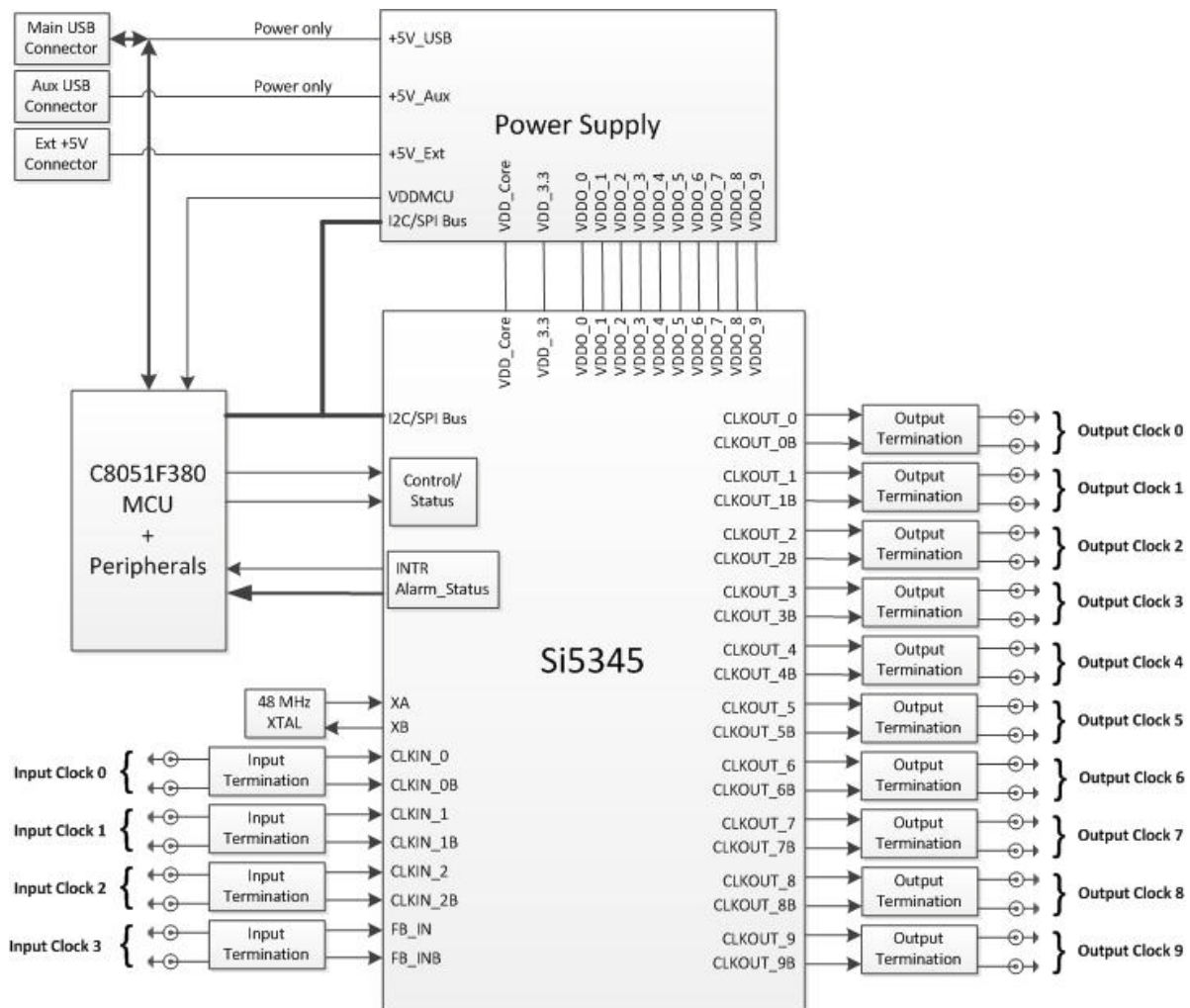


Figure 2. Si5345-D-EB Functional Block Diagram

2. Si5345-D-EVB Support Documentation and ClockBuilder Pro Software

All Si5345-D-EVB schematics, BOMs, User's Guides, and software can be found online at the following link:
<http://www.silabs.com/products/clocksoscillators/pages/si538x-4x-evb.aspx>

3. Quick Start

1. Install ClockBuilder Pro desktop software from <http://www.silabs.com/CBPro>.
2. Connect a USB cable from Si5345-D-EB to the PC where the software was installed.
3. Confirm jumpers are installed as shown in Table 1.
4. Launch the ClockBuilder Pro Software.
5. You can use ClockBuilder Pro to create, download, and run a frequency plan on the Si5345-D-EB.
6. For the Si5345 data sheet, go to <http://www.silabs.com/timing>.

4. Jumper Defaults

Table 1. Si5345-D-EB Jumper Defaults*

Location	Type	I = Installed 0 = Open	Location	Type	I = Installed 0 = Open
JP1	2 pin	O	JP23	2 pin	O
JP2	2 pin	I	JP24	2 pin	O
JP3	2 pin	O	JP25	2 pin	O
JP4	2 pin	I	JP26	2 pin	O
JP5	2 pin	I	JP27	2 pin	O
JP6	2 pin	I	JP28	2 pin	O
JP7	2 pin	I	JP29	2 pin	O
JP8	2 pin	O	JP30	2 pin	O
JP9	2 pin	O	JP31	2 pin	O
JP10	2 pin	I	JP32	2 pin	O
JP13	2 pin	O	JP33	2 pin	O
JP14	2 pin	I	JP34	2 pin	O
JP15	3 pin	1 to 2	JP35	2 pin	O
JP16	3 pin	1 to 2	JP36	2 pin	O
JP17	2 pin	O	JP38	3 pin	All Open
JP18	2 pin	O	JP39	2 pin	O
JP19	2 pin	O	JP40	2 pin	O
JP20	2 pin	O	JP41	2 pin	O
JP21	2 pin	O	J36	5 x 2 Hdr	All 5 installed
JP22	2 pin	O			

*Note: Refer to the Si5345-D-EB schematics for the functionality associated with each jumper.

Si5345-D-EVB

5. Status LEDs

Table 2. Si5345-D-EB Status LEDs

Location	Silkscreen	Color	Status Function Indication
D27	5VUSBMAIN	Blue	Main USB +5 V present
D22	3P3V	Blue	DUT +3.3 V is present
D26	VDD DUT	Blue	DUT VDD voltage present
D25	INTR	Red	MCU INTR (Interrupt) active
D21	READY	Green	MCU Ready
D24	BUSY	Green	MCU Busy

D27, D22, and D26 are illuminated when USB +5 V, Si5345 +3.3 V, and Si5345 V_{DD} supply voltages, respectively, are present. D25, D21, and D24 are status LEDs showing on-board MCU activity.

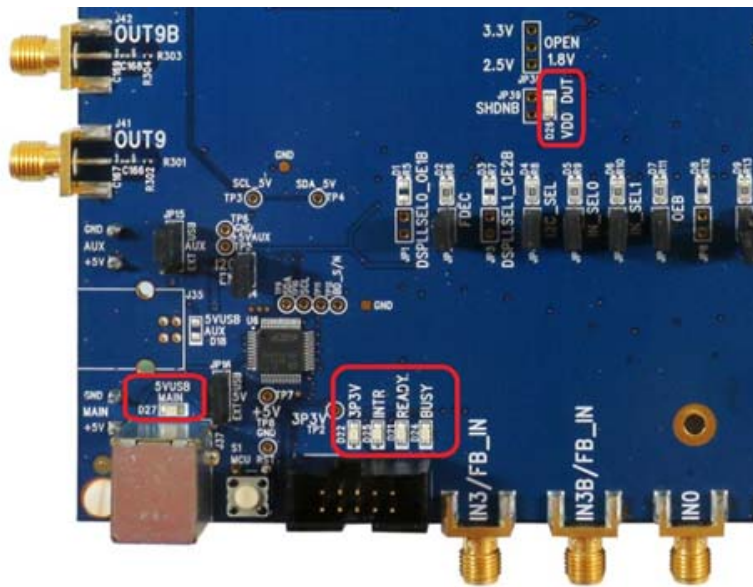


Figure 3. Status LEDs

6. External Reference Input (XA/XB)

An external reference (XTAL) is used in combination with the internal oscillator to produce an ultra-low jitter reference clock for the DSPLL and for providing a stable reference for the free-run and holdover modes. The Si5345-D-EVB can also accommodate an external reference clock instead of a crystal. To evaluate the device with a REFCLK, C111 and C113 must be populated and the XTAL removed (see Figure 4 below). The REFCLK can then be supplied to J39 and J40.

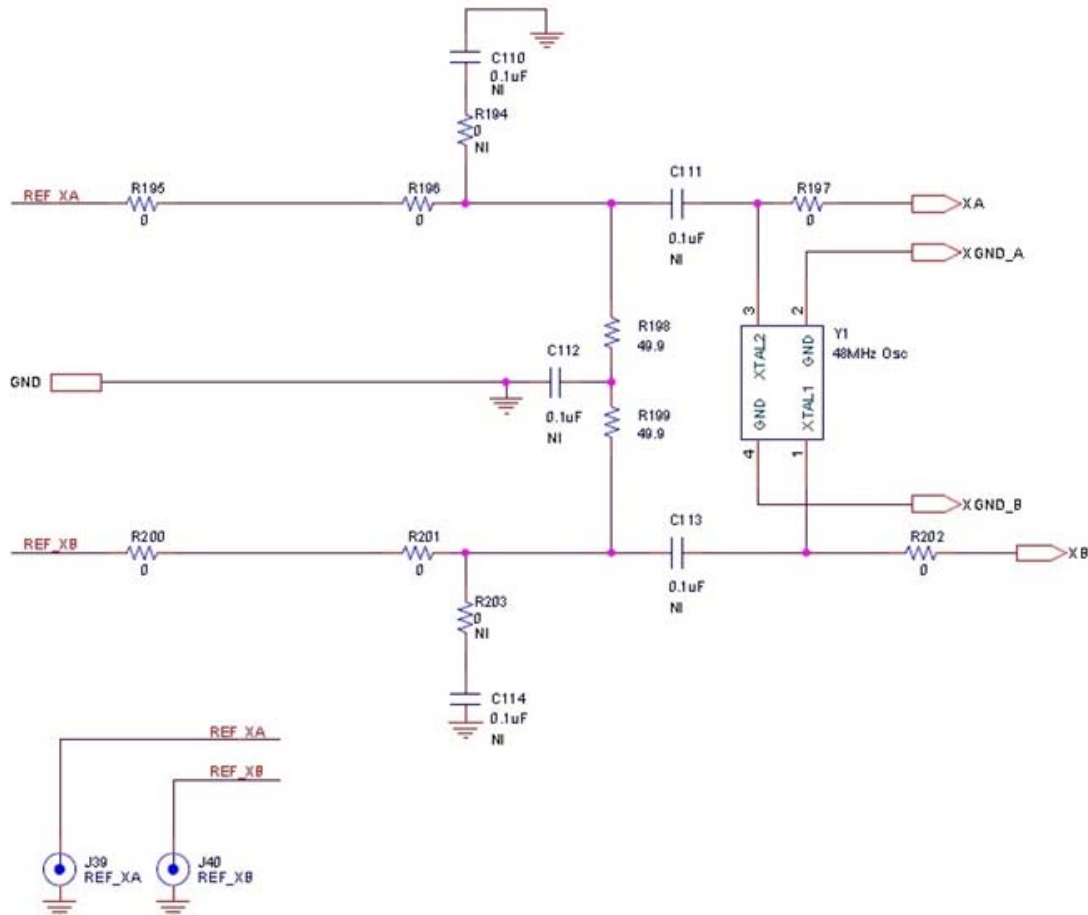


Figure 4. External Reference Input Circuit

7. Clock Input Circuits (INx/INxB)

The Si5345-D-EB has eight SMA connectors (IN0, IN0B–IN3, IN3B) for receiving external clock signals. All input clocks are terminated as shown in Figure 5 below. Note input clocks are ac-coupled and 50 Ω terminated. This represents four differential input clock pairs. Single-ended clocks can be used by appropriately driving one side of the differential pair with a single-ended clock. For details on how to configure inputs as single-ended, please refer to the Si5345 data sheet.

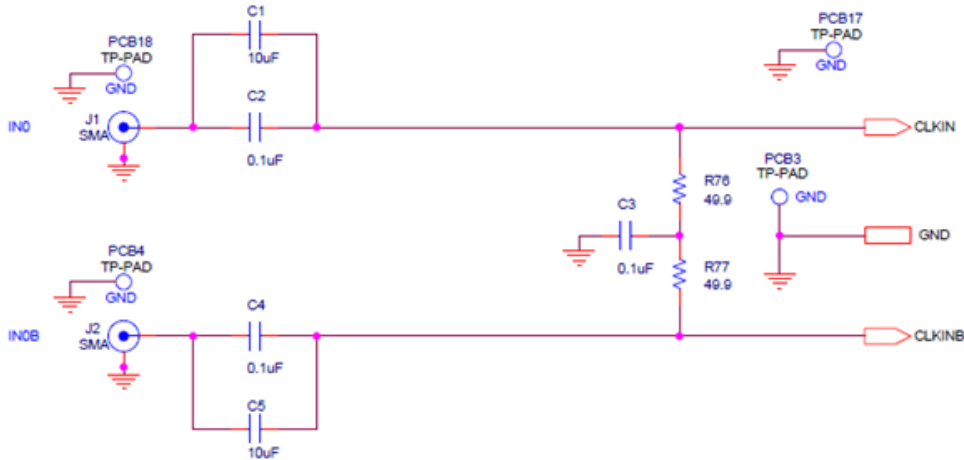


Figure 5. Input Clock Termination Circuit

8. Clock Output Circuits (OUTx/OUTxB)

Each of the twenty output drivers (10 differential pairs) is ac-coupled to its respective SMA connector. The output clock termination circuit is shown in Figure 6 below. The output signal will have no dc bias. If dc coupling is required, the ac coupling capacitors can be replaced with a resistor of appropriate value. The Si5345-D-EVB provides pads for optional output termination resistors and/or low frequency capacitors. Note that components with schematic “NI” designation are not normally populated on the Si5345-D-EB and provide locations on the PCB for optional dc/ac terminations by the end user.

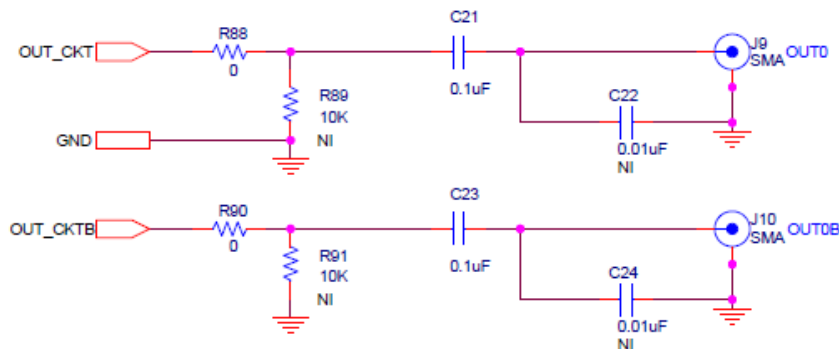


Figure 6. Output Clock Termination Circuit

9. Installing ClockBuilder Pro Desktop Software

To install the CBPro software on any **Windows 7** (or above) PC:

Go to <http://www.silabs.com/CBPro> and download ClockBuilder Pro software.

Installation instructions and User's Guide for ClockBuilder Pro can be found at the download link shown above. Please follow the instructions as indicated.

10. Using the Si5345-D-EVB

10.1. Connecting the EVB to Your Host PC

Once ClockBuilder Pro software is installed, connect to the EVB with a USB cable as shown below.

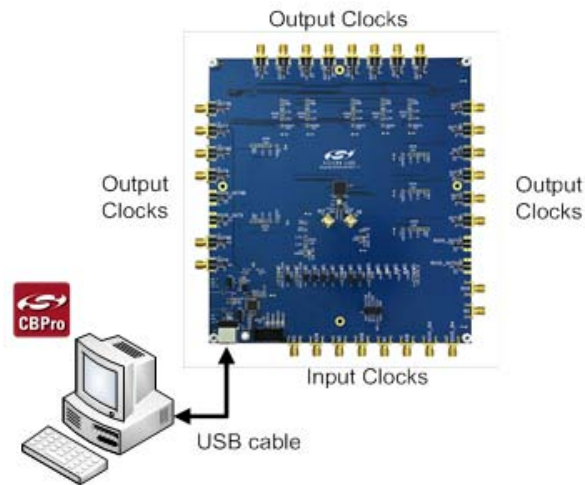


Figure 7. EVB Connection Diagram

10.2. Additional Power Supplies

Although additional power (besides the power supplied by the host PC's USB port) is not needed for most configurations, two additional +5 VDC power supplies (MAIN and AUX) can be connected to J33 and J34 (located on the bottom of the board, near the USB connector). Refer to the Si5345-D-EB schematic for details.

The Si5345-D-EB comes pre-configured with jumpers installed at JP15 and JP16 (pins 1-2 in both cases) in order to select "USB". These jumpers, together with the components installed, configure the evaluation board to obtain all +5 V power solely through the main USB connector at J37. This setup is the default configuration and should normally be sufficient.

Figure 8 shows the correct installation of the jumper shunts at JP15 and JP16 for default or standard operation.

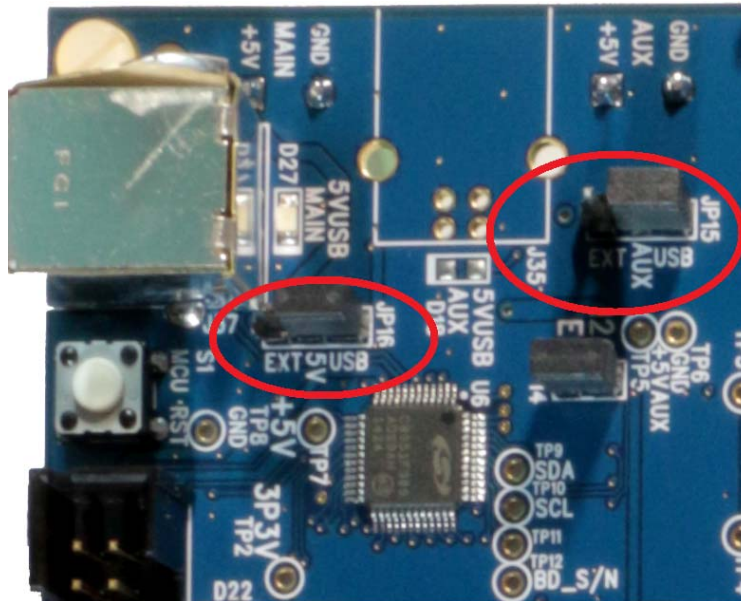


Figure 8. JP15-JP16 Standard Jumper Shunt Installation

Errata Note: Some early versions of the 64-pin Si534x-EVBs may have the silkscreen text at JP15-JP16 reversed regarding EXT and USB, i.e., USB EXT instead of EXT USB. Regardless, the correct installation of the jumper shunts for default or standard operation is on the right hand side as read and viewed in Figure 8.

The general guidelines for single USB power supply operation are listed below:

- Use either a USB 3.0 or USB 2.0 port. These ports are specified to supply 900 mA and 500 mA respectively at +5 V.
- If you are working with a USB 2.0 port and you are current limited, turn off enough DUT output voltage regulators to drop the total DUT current ≤ 470 mA. (Note: USB 2.0 ports may supply > 500 mA. Provided the nominal +5 V drops gracefully by less than 10%, the EVB will still work.)
- If you are working with a USB 2.0 and you are current limited and need all output clock drivers enabled, re-configure the EVB to drive the DUT output voltage regulators from an external +5 V power supply as follows:
 - Connect external +5 V power supply to terminal block J33 on the back side of the PCB.
 - Move the jumper at JP15 from pins 1-2 USB to pins 2-3 EXT.

10.3. Overview of ClockBuilder Pro Applications

Note: The following instructions and screen captures may vary slightly depending on your version of ClockBuilder Pro. The ClockBuilder Pro installer will install **two** main applications:

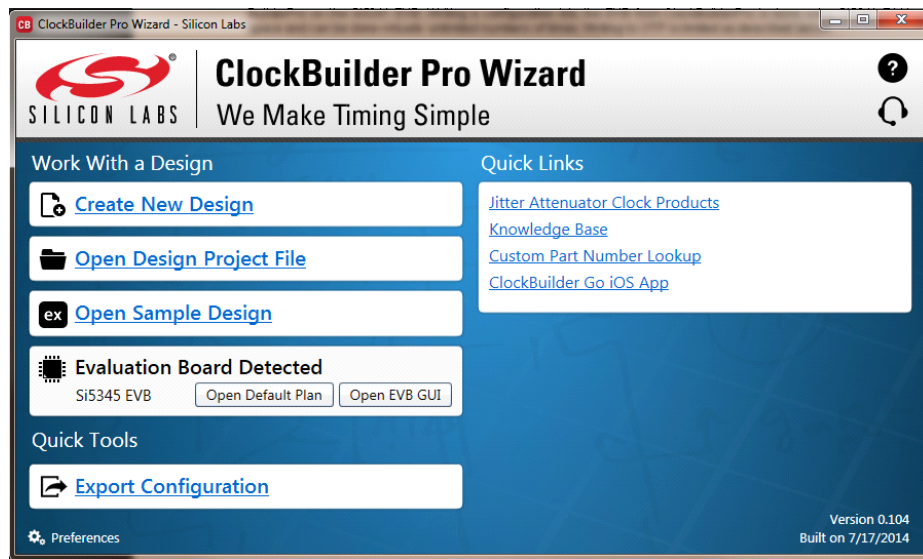


Figure 9. Application #1: ClockBuilder Pro Wizard

Use the CBPro Wizard to:

- Create a new design
- Review or edit an existing design
- Export: create in-system programming

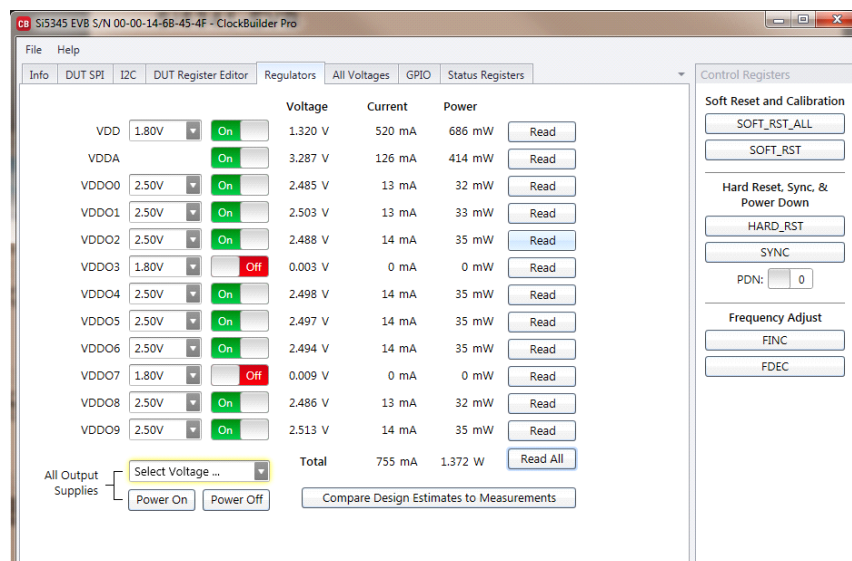


Figure 10. Application #2: EVB GUI

Use the EVB GUI to:

- Download configuration to EVB's DUT (Si5345)
- Control the EVB's regulators
- Monitor voltage, current, power on the EVB

10.4. Common ClockBuilder Pro Work Flow Scenarios

There are three common workflow scenarios when using CBPro and the Si5345-D-EVB. These workflow scenarios are:

- Workflow Scenario #1: Testing a Silicon Labs-Created Default Configuration
- Workflow Scenario #2: Modifying the Default Silicon Labs-Created Device Configuration
- Workflow Scenario #3: Testing a User-Created Device Configuration

Each is described in more detail in the following sections.

10.5. Workflow Scenario #1: Testing a Silicon Labs-Created Default Configuration

The flow for using the EVB GUI to initialize and control a device on the EVB is as follows.

Once the PC and EVB are connected, launch **ClockBuilder Pro** by clicking on this icon on your PC's desktop.



Figure 11. ClockBuilder Pro Desktop Icon

If an EVB is detected, click on the “Open Default Plan” button on the Wizard’s main menu. CBPro automatically detects the EVB and device type.

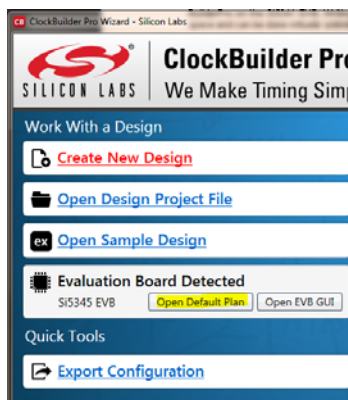


Figure 12. Open Default Plan

Once you open the default plan (based on your EVB model number), a popup will appear.

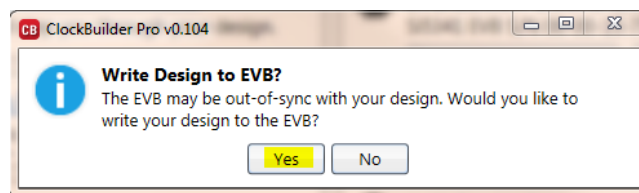


Figure 13. Write Design to EVB Dialog

Select “Yes” to write the default plan to the Si5345 device mounted on your EVB. This ensures the device is completely reconfigured per the Silicon Labs default plan for the DUT type mounted on the EVB.

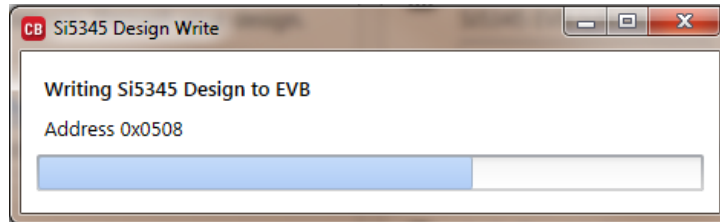


Figure 14. Writing Design Status

After CBPro writes the default plan to the EVB, click on “Open EVB GUI” as shown below.

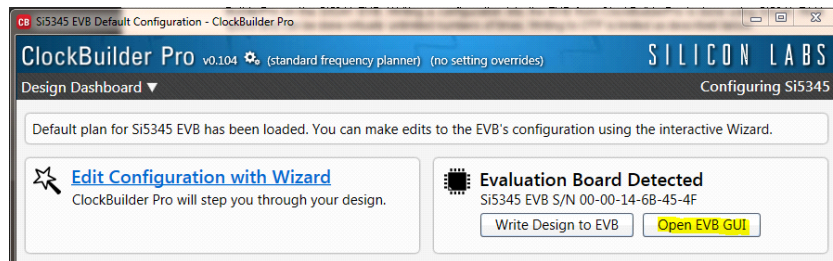


Figure 15. Open EVB GUI

The EVB GUI will appear. Note all power supplies will be set to the values defined in the device's default CBPro project file created by Silicon Labs, as shown below.

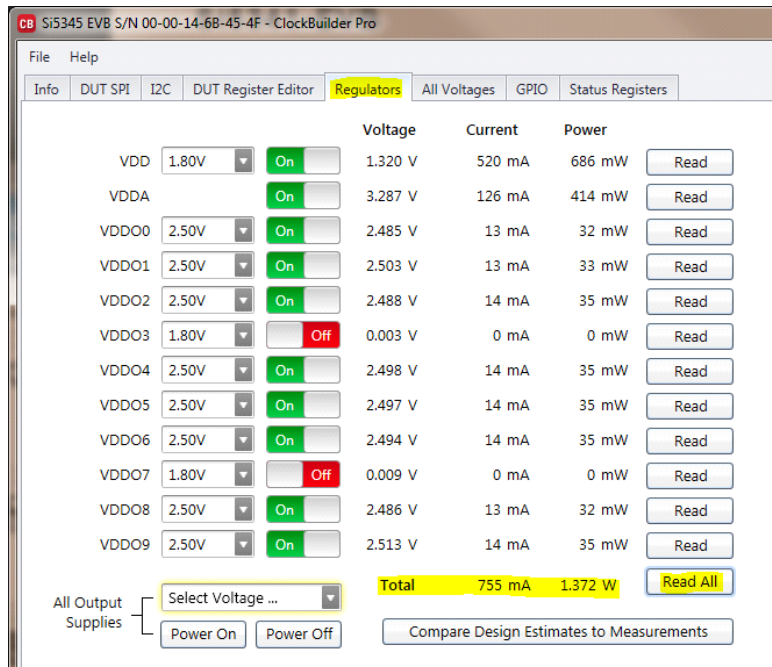


Figure 16. EVB GUI Window

10.5.1. Verify Free-Run Mode Operation

Assuming no external clocks have been connected to the INPUT CLOCK differential SMA connectors (labeled “INx/INxB”) located around the perimeter of the EVB, the DUT should now be operating in free-run mode, as the DUT will be locked to the crystal in this case.

You can run a quick check to determine if the device is powered up and generating output clocks (and consuming power) by clicking on the Read All button highlighted above and then reviewing the voltage, current and power readings for each VDDx supply.

Note: Shutting “Off” then “On” of the VDD and VDDA supplies will power-down and reset the DUT. Every time you do this, to reload the Silicon Labs-created default plan into the DUT’s register space, you must go back to the Wizard’s main menu and select “Write Design to EVB”:

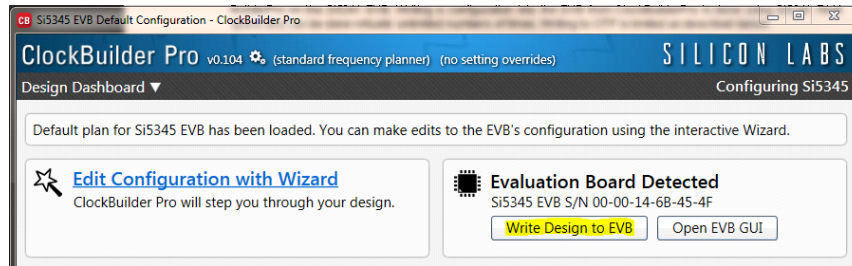


Figure 17. Write Design to EVB

Failure to do the step above will cause the device to read in a pre-programmed plan from its non-volatile memory (NVM). However, the plan loaded from the NVM may not be the latest plan recommended by Silicon Labs for evaluation.

At this point, you should verify the presence and frequencies of the output clocks (running to free-run mode from the crystal) using appropriate external instrumentation connected to the output clock SMA connectors. To verify the output clocks are toggling at the correct frequency and signal format, click on View Design Report as highlighted below.

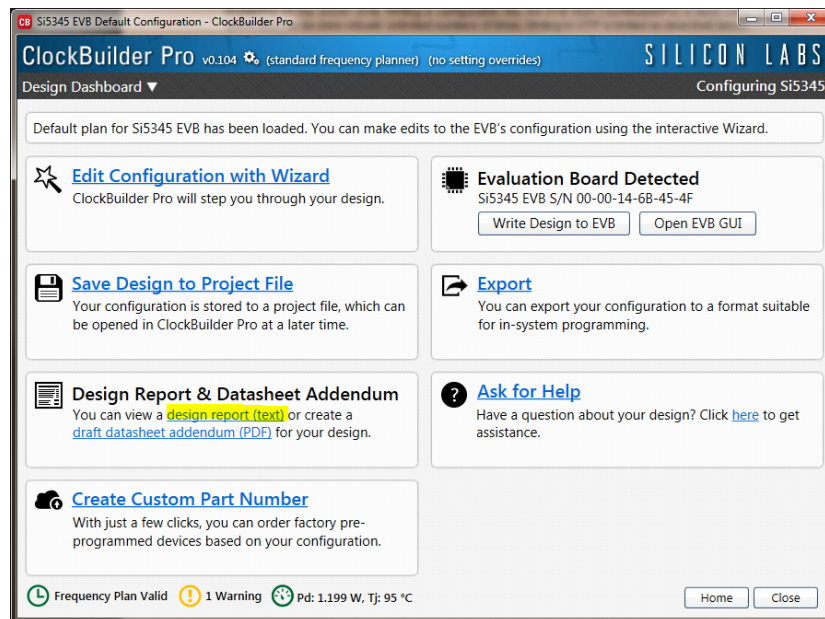


Figure 18. View Design Report

Your configuration's design report will appear in a new window, as shown below. Compare the observed output clocks to the frequencies and formats noted in your default project's Design Report.

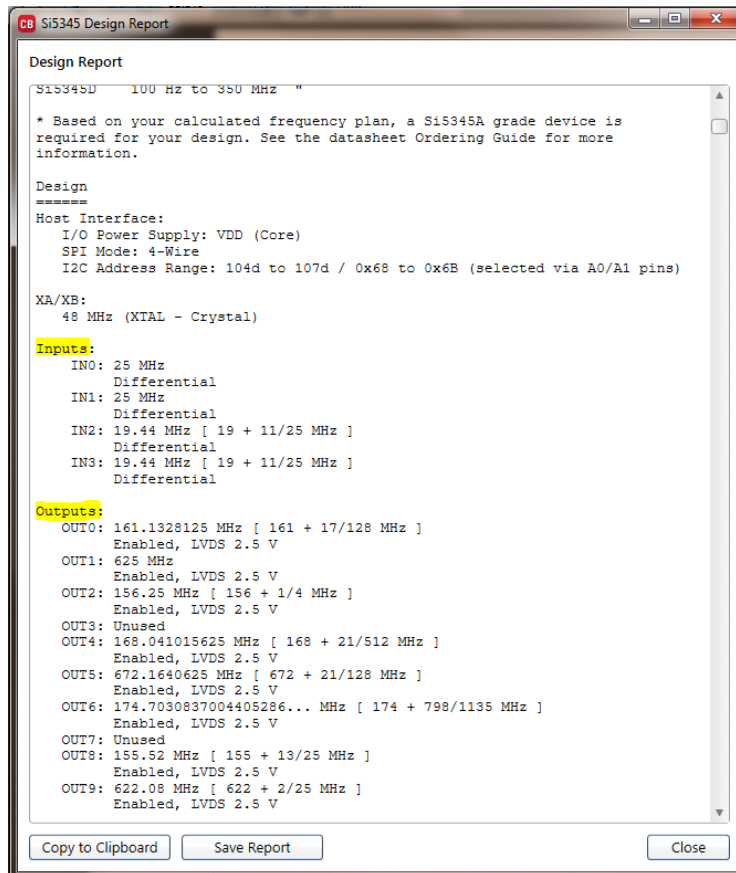


Figure 19. Design Report Window

10.5.2. Verify Locked Mode Operation

Assuming you connect the correct input clocks to the EVB (as noted in the Design Report shown above), the DUT on your EVB will be running in "locked" mode.

10.6. Workflow Scenario #2: Modifying the Default Silicon Labs-Created Device Configuration

To modify the “default” configuration using the CBPro Wizard, click on Edit Configuration with Wizard:

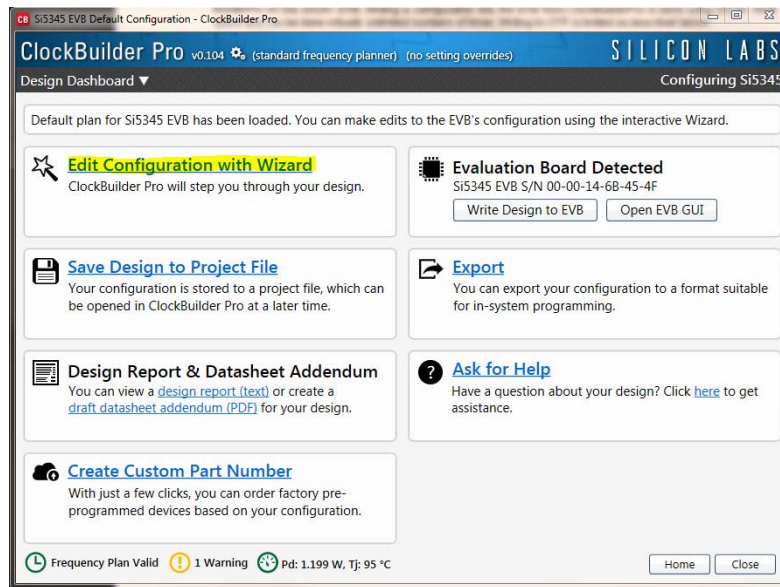


Figure 20. Edit Configuration with Wizard

You will now be taken to the Wizard’s step-by-step menus to allow you to change any of the default plan’s operating configurations.

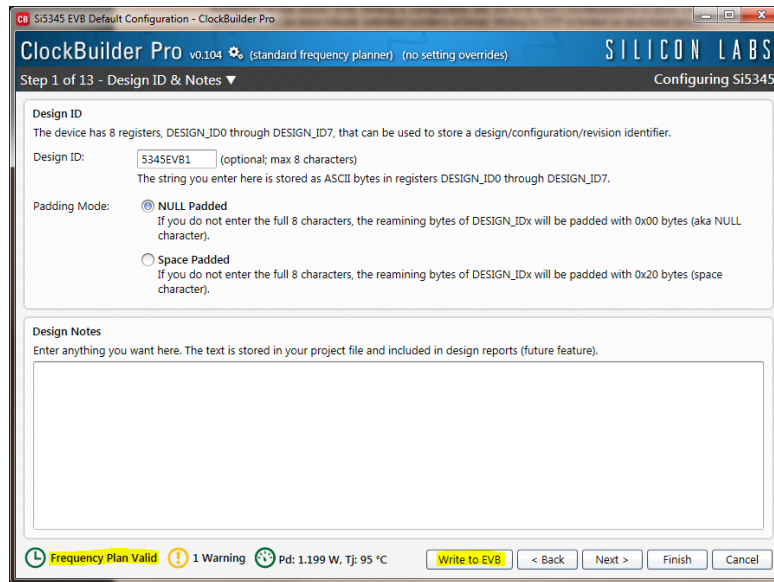


Figure 21. Design Wizard

Note you can click on the icon on the lower left hand corner of the menu to confirm if your frequency plan is valid. After making your desired changes, you can click on Write to EVB to update the DUT to reconfigure your device real-time. The Design Write status window will appear each time you make a change.

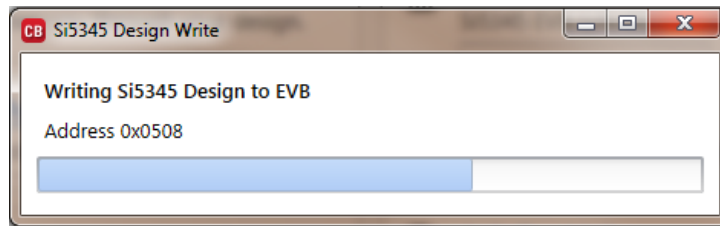


Figure 22. Writing Design Status

10.7. Workflow Scenario #3: Testing a User-Created Device Configuration

To test a previously created user configuration, open the CBPro Wizard by clicking on the icon on your desktop and then selecting Open Design Project File.

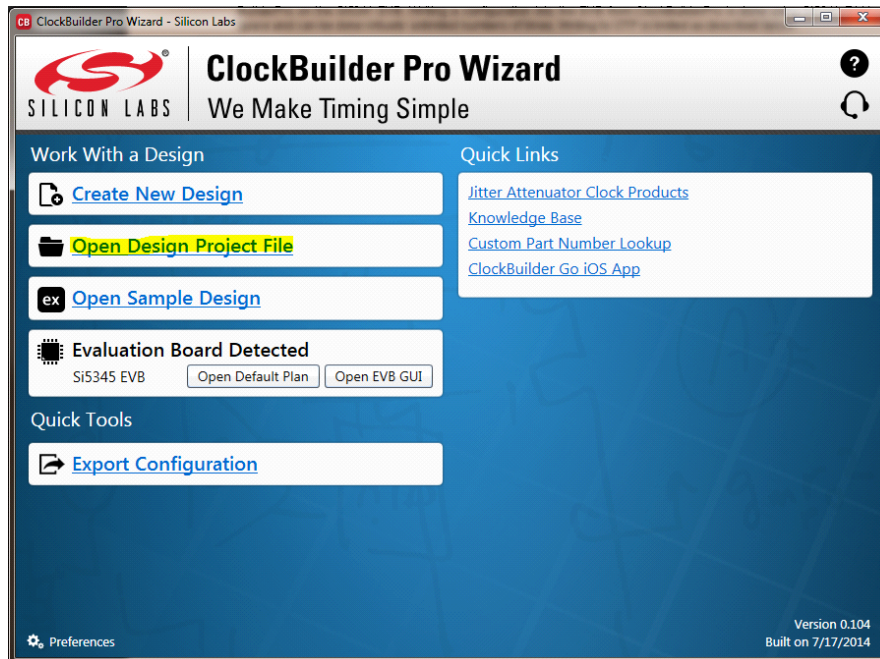


Figure 23. Open Design Project File

Si5345-D-EVB

Locate your CBPro design file (*.slabtimeproj or *.sitproj file).design file in the Windows file browser.

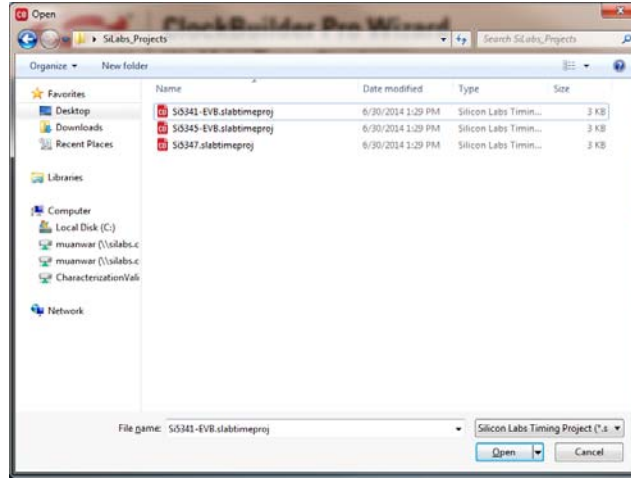


Figure 24. Browse to Project File

Select Yes when the WRITE DESIGN to EVB popup appears:

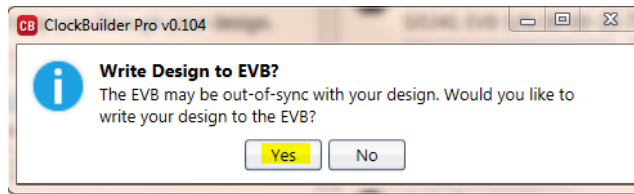


Figure 25. Write Design to EVB Dialog

The progress bar will be launched. Once the new design project file has been written to the device, verify the presence and frequencies of your output clocks and other operating configurations using external instrumentation.

10.8. Exporting the Register Map File for Device Programming by a Host Processor

You can also export your configuration to a file format suitable for in-system programming by selecting Export as shown below:

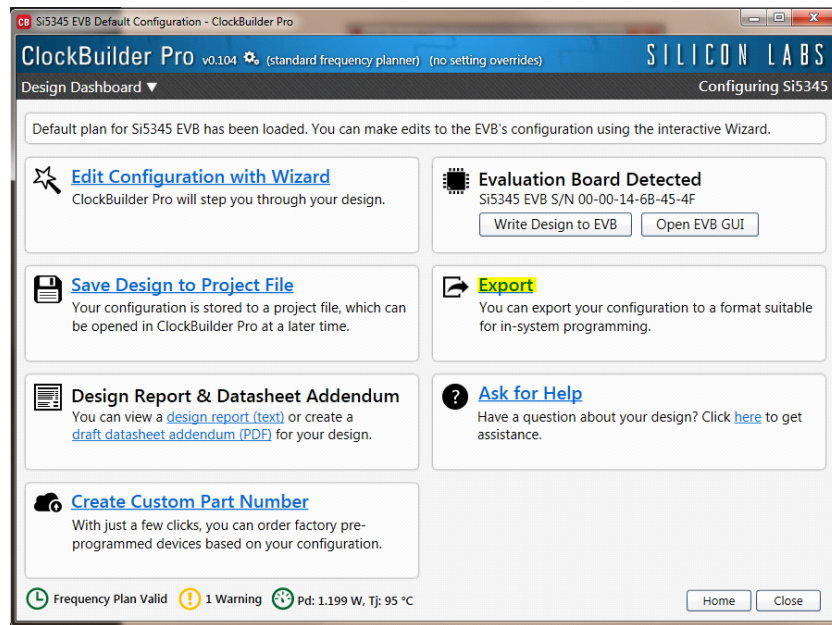


Figure 26. Export Register Map File

You can now write your device's complete configuration to file formats suitable for in-system programming.

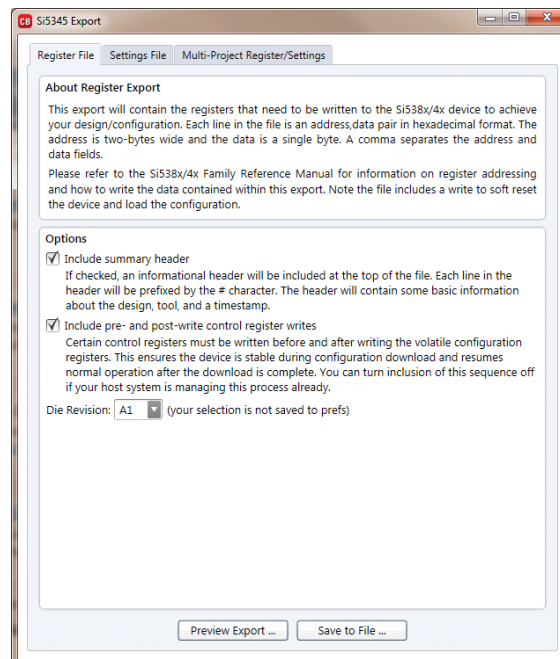


Figure 27. Export Settings

11. Writing a New Frequency Plan or Device Configuration to Non-Volatile Memory (OTP)

Note: Writing to the device non-volatile memory (OTP) is **NOT** the same as writing a configuration into the Si5345 using ClockBuilder Pro on the Si5345-D-EB. Writing a configuration into the EVB from ClockBuilder Pro is done using Si5345 RAM space and can be done virtually unlimited numbers of times. Writing to OTP is limited as described below.

Refer to the Si534x/8x Family Reference Manuals and device data sheets for information on how to write a configuration to the EVB DUT's non-volatile memory (OTP). The OTP can be programmed a maximum of **two** times only. Care must be taken to ensure the configuration desired is valid when choosing to write to OTP.

12. Si5345-D-EVB Schematic, Layout, and Bill of Materials (BOM)

The Si5345-D-EVB Schematic, Layout, and Bill of Materials (BOM) can be found online at:

<http://www.silabs.com/products/clocksoscillators/pages/si538x-4x-evb.aspx>

Note: Please be aware that the Si5345-D-EB schematic is in **OrCad Capture** *hierarchical format* and not in a typical "flat" schematic format.



ClockBuilder Pro

One-click access to Timing tools, documentation, software, source code libraries & more. Available for Windows and iOS (CBGo only).

www.silabs.com/CBPro



Timing Portfolio
www.silabs.com/timing



SW/HW
www.silabs.com/CBPro



Quality
www.silabs.com/quality



Support and Community
community.silabs.com

Disclaimer

Silicon Labs intends to provide customers with the latest, accurate, and in-depth documentation of all peripherals and modules available for system and software implementers using or intending to use the Silicon Labs products. Characterization data, available modules and peripherals, memory sizes and memory addresses refer to each specific device, and "Typical" parameters provided can and do vary in different applications. Application examples described herein are for illustrative purposes only. Silicon Labs reserves the right to make changes without further notice and limitation to product information, specifications, and descriptions herein, and does not give warranties as to the accuracy or completeness of the included information. Silicon Labs shall have no liability for the consequences of use of the information supplied herein. This document does not imply or express copyright licenses granted hereunder to design or fabricate any integrated circuits. The products are not designed or authorized to be used within any Life Support System without the specific written consent of Silicon Labs. A "Life Support System" is any product or system intended to support or sustain life and/or health, which, if it fails, can be reasonably expected to result in significant personal injury or death. Silicon Labs products are not designed or authorized for military applications. Silicon Labs products shall under no circumstances be used in weapons of mass destruction including (but not limited to) nuclear, biological or chemical weapons, or missiles capable of delivering such weapons.

Trademark Information

Silicon Laboratories Inc.®, Silicon Laboratories®, Silicon Labs®, SiLabs® and the Silicon Labs logo®, Bluegiga®, Bluegiga Logo®, Clockbuilder®, CMEMS®, DSPLL®, EFM®, EFM32®, EFR, Ember®, Energy Micro, Energy Micro logo and combinations thereof, "the world's most energy friendly microcontrollers", Ember®, EZLink®, EZRadio®, EZRadioPRO®, Gecko®, ISOModem®, Micrium, Precision32®, ProSLIC®, Simplicity Studio®, SiPHY®, Telegesis, the Telegesis Logo®, USBXpress®, Zentri, Z-Wave, and others are trademarks or registered trademarks of Silicon Labs. ARM, CORTEX, Cortex-M3 and THUMB are trademarks or registered trademarks of ARM Holdings. Keil is a registered trademark of ARM Limited. All other products or brand names mentioned herein are trademarks of their respective holders.



Silicon Laboratories Inc.
400 West Cesar Chavez
Austin, TX 78701
USA

<http://www.silabs.com>

X-ON Electronics

Largest Supplier of Electrical and Electronic Components

Click to view similar products for [Silicon Labs](#) manufacturer:

Other Similar products are found below :

[EFM32G222F128-QFP48T](#) [EZR32HG220F32R67G-B0](#) [FRONTPANEL2EK](#) [AMS001-E01](#) [EFM32GG280F1024G-E-QFP100R](#)
[C8051F040DK](#) [C8051F226DK](#) [C8051F346-GQ](#) [C8051F350-TB](#) [C8051F365-C-GM](#) [C8051F502-IM](#) [C8051F560DK](#) [C8051F714-GQ](#)
[C8051F912-TB](#) [C8051F921-G-GM](#) [C8051T321DB28](#) [C8051T327DB28](#) [SI3050E1EG01SL1EVB](#) [Si50X-FPB1-CUST](#) [SI51211-EVB](#)
[SI53159-EVB](#) [SI5325/26-EVB](#) [Si5356-EVB](#) [Si7013EVB-UDP-M3L1](#) [SI826XSOIC8-KIT](#) [SI8274DB1-IS1](#) [SI8420AB-D-IS](#) [Si8442AB-D-](#)
[IS1](#) [SI88244ED-IS](#) [SiM3C1xx-B-DK](#) [SiM3U1xx-B-DK](#) [SIM3U1XX-B-EDK](#) [SLWRB4250A](#) [SLWRB4503B](#) [SLWSTK6223A](#)
[SLWSTK6224A](#) [SLWSTK6240A](#) [SLWSTK6241A](#) [AMW004-E03](#) [CP2103-GM](#) [CP2110-F01-GMR](#) [4010-AESK1W-315](#) [4455C-868-PDK](#)
[4455CPCE10D434M](#) [4463CPCE27F868](#) [TOOLSTICK360DC](#) [TOOLSTICK502MPP](#) [ToolStick560DC](#) [TOOLSTICK990MPP](#)
[515CAA000256AAG](#)