

**4-PLL ANY-FREQUENCY PRECISION CLOCK MULTIPLIER/JITTER ATTENUATOR****Features**

- Highly integrated, 4-PLL clock multiplier/jitter attenuator
- Four independent DSPLLs support any-frequency synthesis and jitter attenuation
- Four inputs/four outputs
- Each DSPLL can generate any frequency from 2 kHz to 808 MHz from a 2 kHz to 710 MHz input
- Ultra-low jitter clock outputs: 350 fs rms (12 kHz– 20 MHz) and 410 fs rms (50 kHz–80 MHz) typical
- Meets ITU-T G.8251 and Telcordia GR-253-CORE OC-192 jitter specifications
- Integrated loop filter with programmable bandwidth as low as 60 Hz
- Simultaneous free-run and synchronous operation
- Automatic/manual hitless input clock switching
- Selectable output clock signal format (LVPECL, LVDS, CML, CMOS)
- LOL and interrupt alarm outputs
- I²C programmable
- Single 1.8 V ±5% or 2.5 V ±10% operation with high PSRR on-chip voltage regulator
- 10x10 mm PBGA

**Applications**

- High density any-port, any-protocol, any-frequency line cards
- ITU-T G.709 OTN custom FEC
- 10/40/100G
- OC-48/192, STM-16/64
- 1/2/4/8/10G Fibre Channel
- GbE/10GbE Synchronous Ethernet
- Carrier Ethernet, multi-service switches and routers
- MSPP, ROADM, P-OTS, muxponders

Description

The Si5375 is a highly-integrated, 4-PLL, jitter-attenuating precision clock multiplier for applications requiring sub 1 ps jitter performance. Each of the DSPLL[®] clock multiplier engines accepts an input clock ranging from 2 kHz to 710 MHz and generates an output clock ranging from 2 kHz to 808 MHz. The device provides virtually any frequency translation combination across this operating range. For asynchronous, free-running clock generation applications, the Si5375's reference oscillator can be used as a clock source for any of the four DSPLLs. The Si5375 input clock frequency and clock multiplication ratio are programmable through an I²C interface. The Si5375 is based on Skyworks Solutions' third-generation DSPLL[®] technology, which provides any-frequency synthesis and jitter attenuation in a highly-integrated PLL solution that eliminates the need for external VCXO and loop filter components. Each DSPLL loop bandwidth is digitally-programmable, providing jitter performance optimization at the application level. The device operates from a single 1.8 or 2.5 V supply with on-chip voltage regulators with excellent PSRR. The Si5375 is ideal for providing clock multiplication and jitter attenuation in high port count optical line cards requiring independent timing domains.

Functional Block Diagram

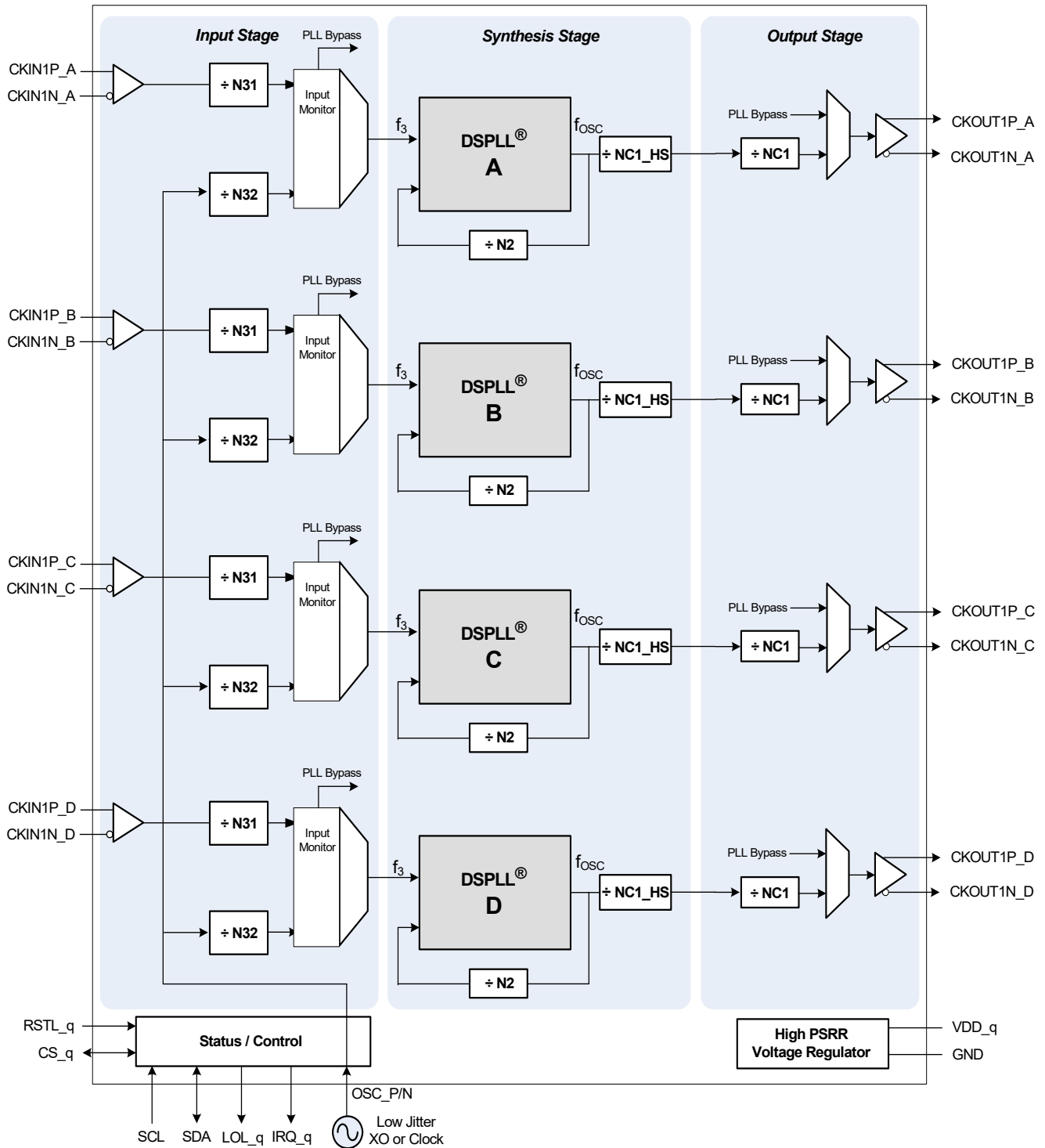


TABLE OF CONTENTS

| Section | Page |
|---|-------------|
| 1. Electrical Specifications | 4 |
| 2. Typical Application Schematic | 13 |
| 3. Typical Phase Noise Plot | 14 |
| 4. Functional Description | 15 |
| 5. Si5375 Application Examples and Suggestions | 16 |
| 5.1. Schematic and PCB Layout | 16 |
| 5.2. Thermal Considerations | 16 |
| 5.3. SCL Leakage | 16 |
| 5.4. RSTL_x Pins | 16 |
| 5.5. Reference Oscillator Selection | 17 |
| 5.6. Alarms | 17 |
| 5.7. OSC_P and OSC_N Connection | 18 |
| 6. Register Map | 19 |
| 7. Register Descriptions | 21 |
| 7.1. ICAL | 43 |
| 8. Pin Descriptions: Si5375 | 44 |
| 9. Ordering Guide | 48 |
| 10. Package Outline | 49 |
| 11. Recommended PCB Layout | 50 |
| 12. Top Markings | 51 |
| 12.1. Si5375 Top Marking (PBGA, Lead-Free) | 51 |
| 12.2. Top Marking Explanation (PBGA, Lead-Free) | 51 |
| 12.3. Si5375 Top Marking (PBGA, Lead-Finish) | 52 |
| 12.4. Top Marking Explanation (PBGA, Lead-Finish) | 52 |
| Document Change List | 53 |
| Contact Information | 54 |

1. Electrical Specifications

Table 1. Recommended Operating Conditions

| Parameter | Symbol | Test Condition | Min | Typ | Max | Unit |
|--|----------|----------------|------|-----|------|------|
| Ambient Temperature | T_A | | -40 | 25 | 85 | °C |
| Supply Voltage during Normal Operation | V_{DD} | 2.5 V Nominal | 2.25 | 2.5 | 2.75 | V |
| | | 1.8 V Nominal | 1.71 | 1.8 | 1.89 | V |

Note: All minimum and maximum specifications are guaranteed and apply across the recommended operating conditions. Typical values apply at nominal supply voltages and an operating temperature of 25 °C unless otherwise stated.

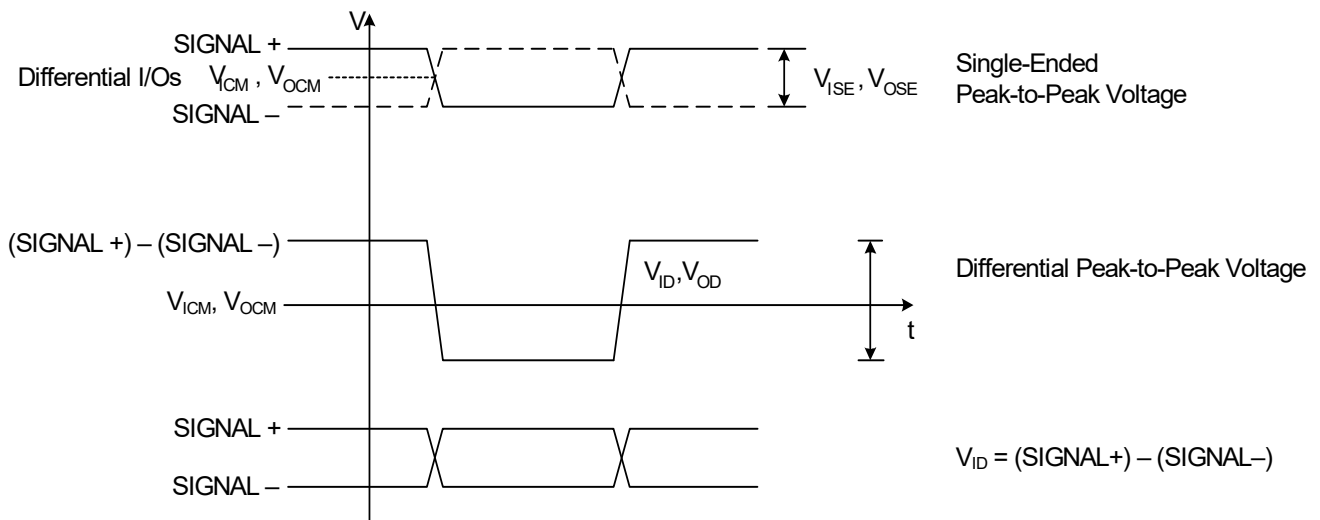


Figure 1. Differential Voltage Characteristics

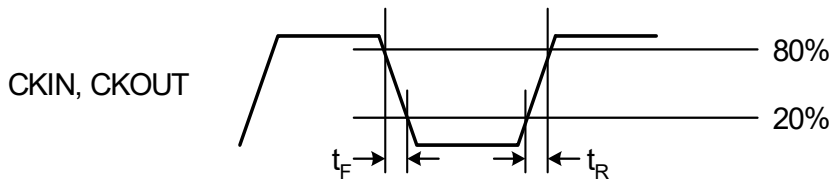


Figure 2. Rise/Fall Time Characteristics

Table 2. DC Characteristics $(V_{DD} = 1.8 \pm 5\%, 2.5 \pm 10\%, T_A = -40 \text{ to } 85 \text{ }^\circ\text{C})$

| Parameter | Symbol | Test Condition | Min | Typ | Max | Unit |
|---|-------------|---|-----------------|-----------------|-----------------|------------|
| Supply Current ¹ | I_{DD} | LVPECL Format 622.08 MHz Out All CKOUTs Enabled | — | 870 | 980 | mA |
| | | CMOS Format 19.44 MHz Out All CKOUTs Enabled | — | 780 | 880 | mA |
| | | Disable Mode | — | 660 | — | mA |
| CKINn Input Pins² | | | | | | |
| Input Common Mode Voltage (Input Threshold Voltage) | V_{ICM} | 1.8 V \pm 5% | 0.9 | — | 1.4 | V |
| | | 2.5 V \pm 10% | 1 | — | 1.7 | V |
| Input Resistance | CKN_{RIN} | Single-ended | 20 | 40 | 60 | k Ω |
| Single-Ended Input Voltage Swing (See Absolute Specs) | V_{ISE} | $f_{CKIN} < 212.5$ MHz See Figure 1. | 0.2 | — | — | V_{PP} |
| | | $f_{CKIN} > 212.5$ MHz See Figure 1. | 0.25 | — | — | V_{PP} |
| Differential Input Voltage Swing (See Absolute Specs) | V_{ID} | $f_{CKIN} < 212.5$ MHz See Figure 1. | 0.2 | — | — | V_{PP} |
| | | $f_{CKIN} > 212.5$ MHz See Figure 1. | 0.25 | — | — | V_{PP} |
| Output Clocks (CKOUTn)^{3,4} | | | | | | |
| Common Mode | CKO_{VCM} | LVPECL 100 Ω load line-to-line | $V_{DD} - 1.42$ | — | $V_{DD} - 1.25$ | V |
| Differential Output Swing | CKO_{VD} | LVPECL 100 Ω load line-to-line | 1.1 | — | 1.9 | V_{PP} |
| Single Ended Output Swing | CKO_{VSE} | LVPECL 100 Ω load line-to-line | 0.5 | — | 0.93 | V_{PP} |
| Differential Output Voltage | CKO_{VD} | CML 100 Ω load line-to-line | 350 | 425 | 500 | m V_{PP} |
| Common Mode Output Voltage | CKO_{VCM} | CML 100 Ω load line-to-line | — | $V_{DD} - 0.36$ | — | V |
| Notes: | | | | | | |
| 1. Current draw is independent of supply voltage. | | | | | | |
| 2. No under- or overshoot is allowed. | | | | | | |
| 3. LVPECL outputs require nominal $V_{DD} = 2.5$ V. | | | | | | |
| 4. LVPECL, CML, LVDS and low-swing LVDS measured with $F_o = 622.08$ MHz. | | | | | | |

Table 2. DC Characteristics (Continued) $(V_{DD} = 1.8 \pm 5\%, 2.5 \pm 10\%, T_A = -40 \text{ to } 85 \text{ }^\circ\text{C})$

| Parameter | Symbol | Test Condition | Min | Typ | Max | Unit |
|--|----------------------|--|---------------------|------|-------|------------------|
| Differential Output Voltage | CKO _{VD} | LVDS 100 Ω load line-to-line | 500 | 700 | 900 | mV _{PP} |
| | | Low Swing LVDS 100 Ω load line-to-line | 350 | 425 | 500 | mV _{PP} |
| Common Mode Output Voltage | CKO _{VCM} | LVDS 100 Ω load line-to-line | 1.125 | 1.2 | 1.275 | V |
| Differential Output Resistance | CKO _{RD} | CML, LVPECL, LVDS | — | 200 | — | Ω |
| Output Voltage Low | CKO _{VOLLH} | CMOS | — | — | 0.4 | V |
| Output Voltage High | CKO _{VOHLH} | $V_{DD} = 1.71 \text{ V}$ CMOS | $0.8 \times V_{DD}$ | — | — | V |
| Output Drive Current (CMOS driving into CKO _{VOL} for output low or CKO _{VOH} for output high. CKOUT+ and CKOUT– shorted externally) | CKO _{IO} | ICMOS[1:0] = 11 $V_{DD} = 1.8 \text{ V}$ | — | 7.5 | — | mA |
| | | ICMOS[1:0] = 10 $V_{DD} = 1.8 \text{ V}$ | — | 5.5 | — | mA |
| | | ICMOS[1:0] = 01 $V_{DD} = 1.8 \text{ V}$ | — | 3.5 | — | mA |
| | | ICMOS[1:0] = 00 $V_{DD} = 1.8 \text{ V}$ | — | 1.75 | — | mA |
| | | ICMOS[1:0] = 11 $V_{DD} = 2.5 \text{ V}$ | — | 20 | — | mA |
| | | ICMOS[1:0] = 10 $V_{DD} = 2.5 \text{ V}$ | — | 15 | — | mA |
| | | ICMOS[1:0] = 01 $V_{DD} = 2.5 \text{ V}$ | — | 10 | — | mA |
| | | ICMOS[1:0] = 00 $V_{DD} = 2.5 \text{ V}$ | — | 5 | — | mA |

Notes:

1. Current draw is independent of supply voltage.
2. No under- or overshoot is allowed.
3. LVPECL outputs require nominal $V_{DD} = 2.5 \text{ V}$.
4. LVPECL, CML, LVDS and low-swing LVDS measured with $F_o = 622.08 \text{ MHz}$.

Table 2. DC Characteristics (Continued) $(V_{DD} = 1.8 \pm 5\%, 2.5 \pm 10\%, T_A = -40 \text{ to } 85 \text{ }^\circ\text{C})$

| Parameter | Symbol | Test Condition | Min | Typ | Max | Unit |
|--|----------|--|----------------|-----|-----|------|
| 2-Level LVCMOS Input Pins | | | | | | |
| Input Voltage Low | V_{IL} | $V_{DD} = 1.71 \text{ V}$ | — | — | 0.5 | V |
| | | $V_{DD} = 2.25 \text{ V}$ | — | — | 0.7 | V |
| Input Voltage High | V_{IH} | $V_{DD} = 1.89 \text{ V}$ | 1.4 | — | — | V |
| | | $V_{DD} = 2.25 \text{ V}$ | 1.8 | — | — | V |
| LVCMOS Output Pins | | | | | | |
| Output Voltage Low | V_{OL} | $I_O = 2 \text{ mA}$ $V_{DD} = 1.71 \text{ V}$ | — | — | 0.4 | V |
| Output Voltage Low | | $I_O = 2 \text{ mA}$ $V_{DD} = 2.25 \text{ V}$ | — | — | 0.4 | V |
| Output Voltage High | V_{OH} | $I_O = -2 \text{ mA}$ $V_{DD} = 1.71 \text{ V}$ | $V_{DD} - 0.4$ | — | — | V |
| Output Voltage High | | $I_O = -2 \text{ mA}$ $V_{DD} = 2.25 \text{ V}$ | $V_{DD} - 0.4$ | — | — | V |
| Notes: | | | | | | |
| 1. Current draw is independent of supply voltage. | | | | | | |
| 2. No under- or overshoot is allowed. | | | | | | |
| 3. LVPECL outputs require nominal $V_{DD} = 2.5 \text{ V}$. | | | | | | |
| 4. LVPECL, CML, LVDS and low-swing LVDS measured with $F_o = 622.08 \text{ MHz}$. | | | | | | |

Table 3. AC Characteristics $(V_{DD} = 1.8 \pm 5\%, 2.5 \pm 10\%, T_A = -40 \text{ to } 85 \text{ }^\circ\text{C})$

| Parameter | Symbol | Test Condition | Min | Typ | Max | Unit |
|---|--------------------|---|-------|-----|-------|-----------------|
| Single-Ended Reference Clock Input Pin OSC_P (OSC_N with Cap to GND)¹ | | | | | | |
| OSC_P to OSC_N Resistance | OSC _{RIN} | RATE_REG = 0101 or 0110, ac coupled | — | 100 | — | Ω |
| Input Voltage Swing | OSC _{VPP} | RATE_REG = 0101 or 0110, ac coupled | 0.5 | — | 1.2 | V _{PP} |
| Differential Reference Clock Input Pins (OSC_P/OSC_N)¹ | | | | | | |
| Input Voltage Swing | OSC _{VPP} | RATE_REG = 0101 or 0110, ac coupled | 0.5 | — | 2.4 | V _{PP} |
| CKINn Input Pins | | | | | | |
| Input Frequency | CKN _F | | 0.002 | — | 710 | MHz |
| Input Duty Cycle (Minimum Pulse Width) | CKN _{DC} | Whichever is smaller (i.e., the 40% / 60% limitation applies only to high frequency clocks) | 40 | — | 60 | % |
| | | | 2 | — | — | ns |
| Input Rise/Fall Time | CKN _{TRF} | 20–80% See Figure 2 | — | — | 11 | ns |
| CKOUTn Output Pins | | | | | | |
| (See ordering section for speed grade vs frequency limits) | | | | | | |
| Output Frequency (Output not configured for CMOS or Disabled) | CKO _F | | 0.002 | — | 808 | MHz |
| Maximum Output Frequency in CMOS Format | CKO _F | | — | — | 212.5 | MHz |
| Output Rise/Fall (20–80 %) @ 622.08 MHz output | CKO _{TRF} | Output not configured for CMOS or Disabled See Figure 2 | — | 230 | 350 | ps |
| Output Rise/Fall (20–80%) @ 212.5 MHz output | CKO _{TRF} | CMOS Output V _{DD} = 1.71 C _{LOAD} = 5 pF | — | — | 8 | ns |
| Output Rise/Fall (20–80%) @ 212.5 MHz output | CKO _{TRF} | CMOS Output V _{DD} = 2.25 C _{LOAD} = 5 pF | — | — | 2 | ns |
| Notes: | | | | | | |
| 1. A crystal may not be used in place of an oscillator. | | | | | | |
| 2. Input to output skew after an ICAL is not controlled and can be any value. | | | | | | |

Table 3. AC Characteristics (Continued)(V_{DD} = 1.8 ± 5%, 2.5 ± 10%, T_A = -40 to 85 °C)

| Parameter | Symbol | Test Condition | Min | Typ | Max | Unit |
|---|---------------------|---|-----|-----|----------|-------------------|
| Output Duty Cycle Uncertainty @ 622.08 MHz | CKO _{DC} | 100 Ω Load Line-to-Line Measured at 50% Point (differential) | — | — | ±40 | ps |
| LVC MOS Input Pins | | | | | | |
| Minimum Reset Pulse Width | t _{RSTMN} | | 1 | — | — | μs |
| Reset to Microprocessor Access Ready | t _{READY} | | — | — | 10 | ms |
| LVC MOS Output Pins | | | | | | |
| Rise/Fall Times | t _{RF} | C _{LOAD} = 20pf See Figure 2 | — | 25 | — | ns |
| LOSn Trigger Window | LOS _{TRIG} | From last CKINn ↑ to ↓ Internal detection of LOSn N3 ≠ 1 | — | — | 4.5 x N3 | T _{CKIN} |
| Time to Clear LOL after LOS Cleared | t _{CLRLOL} | ↓LOS to ↓LOL Fold = Fnew Stable OSC_P, OSC_N reference | — | 10 | — | ms |
| Device Skew² | | | | | | |
| Phase Change due to Temperature Variation | t _{TEMP} | Max phase changes from -40 to +85 °C | — | 300 | 500 | ps |
| Notes: | | | | | | |
| 1. A crystal may not be used in place of an oscillator. | | | | | | |
| 2. Input to output skew after an ICAL is not controlled and can be any value. | | | | | | |

Table 4. Microprocessor Control

($V_{DD} = 1.8 \pm 5\%$, $2.5 \pm 10\%$, $T_A = -40$ to $85\text{ }^\circ\text{C}$)

| Parameter | Symbol | Test Condition | Min | Typ | Max | Unit |
|--|-----------------|--|----------------------|-----|----------------------|------|
| I²C Bus Lines (SDA, SCL) | | | | | | |
| Input Voltage Low | $V_{IL_{I2C}}$ | | — | — | $0.25 \times V_{DD}$ | V |
| Input Voltage High | $V_{IH_{I2C}}$ | | $0.7 \times V_{DD}$ | — | V_{DD} | V |
| Hysteresis of Schmitt trigger inputs | $V_{HYS_{I2C}}$ | $V_{DD} = 1.8\text{V}$ | $0.1 \times V_{DD}$ | — | — | V |
| | | $V_{DD} = 2.5$ | $0.05 \times V_{DD}$ | — | — | V |
| Output Voltage Low | $V_{OL_{I2C}}$ | $V_{DD} = 1.8\text{ V}$ $I_O = 3\text{ mA}$ | — | — | $0.2 \times V_{DD}$ | V |
| | | $V_{DD} = 2.5$ $I_O = 3\text{ mA}$ | — | — | 0.4 | V |

Table 5. Performance Specifications $V_{DD} = 1.8\text{ V} \pm 5\%$ or $2.5\text{ V} \pm 10\%$, $T_A = -40$ to $85\text{ }^\circ\text{C}$

| Parameter | Symbol | Test Condition | Min | Typ | Max | Unit |
|---|----------------------|---|---------|------|------|-------------|
| PLL Performance* | | | | | | |
| Lock Time | t_{LOCKMP} | Start of ICAL to ↓ of LOL | — | 35 | 1200 | ms |
| Output Clock Phase Change | $t_{\text{P_STEP}}$ | After clock switch $f_3 \geq 128\text{ kHz}$ | — | 200 | — | ps |
| Closed Loop Jitter Peaking | J_{PK} | | — | 0.05 | 0.1 | dB |
| Jitter Tolerance | J_{TOL} | Jitter Frequency \geq Loop Bandwidth | 5000/BW | — | — | ns pk-pk |
| Phase Noise $f_{\text{out}} = 622.08\text{ MHz}$ | CKO_{PN} | 1 kHz Offset | — | -106 | — | dBc/Hz |
| | | 10 kHz Offset | — | -114 | — | dBc/Hz |
| | | 100 kHz Offset | — | -116 | — | dBc/Hz |
| | | 1 MHz Offset | — | -132 | — | dBc/Hz |
| Subharmonic Noise | SP_{SUBH} | Phase Noise @ 100 kHz Offset | — | -88 | — | dBc |
| Spurious Noise | SP_{SPUR} | Max spur @ $n \times F_3$ ($n \geq 1$, $n \times F_3 < 100\text{ MHz}$) | — | -70 | — | dBc |
| Jitter Generation | J_{GEN} | $f_{\text{IN}} = f_{\text{OUT}} = 622.08\text{ MHz}$, BW = 120 Hz LVPECL output 12 kHz–20 MHz | — | 350 | 410 | fs rms |
| | | 50 kHz–80 MHz | — | 410 | — | fs rms |
| *Note: $f_{\text{in}} = f_{\text{out}} = 622.08\text{ MHz}$; BW = 120 Hz; LVDS. | | | | | | |

Table 6. Thermal Characteristics^{1,2}

| Parameter | Symbol | Test Condition | Min | Typ | Max | Unit |
|--|-------------|----------------|-----|-----|-----|------|
| Maximum Junction Temperature | | | — | 125 | — | °C |
| Thermal Resistance Junction to Ambient | ϕ_{JA} | Still Air | — | 16 | — | °C/W |
| | | Air Flow 1 m/s | — | 14 | — | |
| | | Air Flow 2 m/s | — | 13 | — | |
| | | Air Flow 3 m/s | — | 12 | — | |
| Thermal Resistance Junction to Case | ϕ_{JC} | Still Air | — | 3.4 | — | °C/W |

Notes:

1. In most circumstances the Si5375 does not require special thermal management. A system level thermal analysis is strongly recommend. Contact Skyworks Solutions, Inc. for further details if required.
2. Thermal characteristic for the 80-pin Si5375 on an 8-layer PCB.

Table 7. Absolute Maximum Ratings

| Parameter | Symbol | Value | Unit |
|---|-------------|----------------------------|------|
| DC Supply Voltage | V_{DD} | -0.5 to 2.8 | V |
| LVC MOS Input Voltage | V_{DIG} | -0.3 to ($V_{DD} + 0.3$) | V |
| CLKIN1P/N _q | CKN_{VIN} | 0 to V_{DD} | V |
| OSC_P, OSC_N Voltage Limits | OSC_{VIN} | 0 to 1.2 | V |
| Operating Junction Temperature | T_{JCT} | -55 to 150 | °C |
| Storage Temperature Range | T_{STG} | -55 to 150 | °C |
| ESD HBM Tolerance (100 pF, 1.5 k); All pins except CKINnP/N-q | | 2 | kV |
| ESD MM Tolerance; All pins except CKINnP/N _q | | 200 | V |
| ESD HBM Tolerance (100 pF, 1.5 k); CKINnP/N _q | | 700 | V |
| ESD MM Tolerance; CKINnP/N _q | | 125 | V |
| Latch-Up Tolerance | | JESD78 Compliant | |

Note: Permanent device damage may occur if the absolute maximum ratings are exceeded. Functional operation should be restricted to the conditions as specified in the operation sections of this data sheet. Exposure to absolute maximum rating conditions for extended periods of time may affect device reliability.

2. Typical Application Schematic

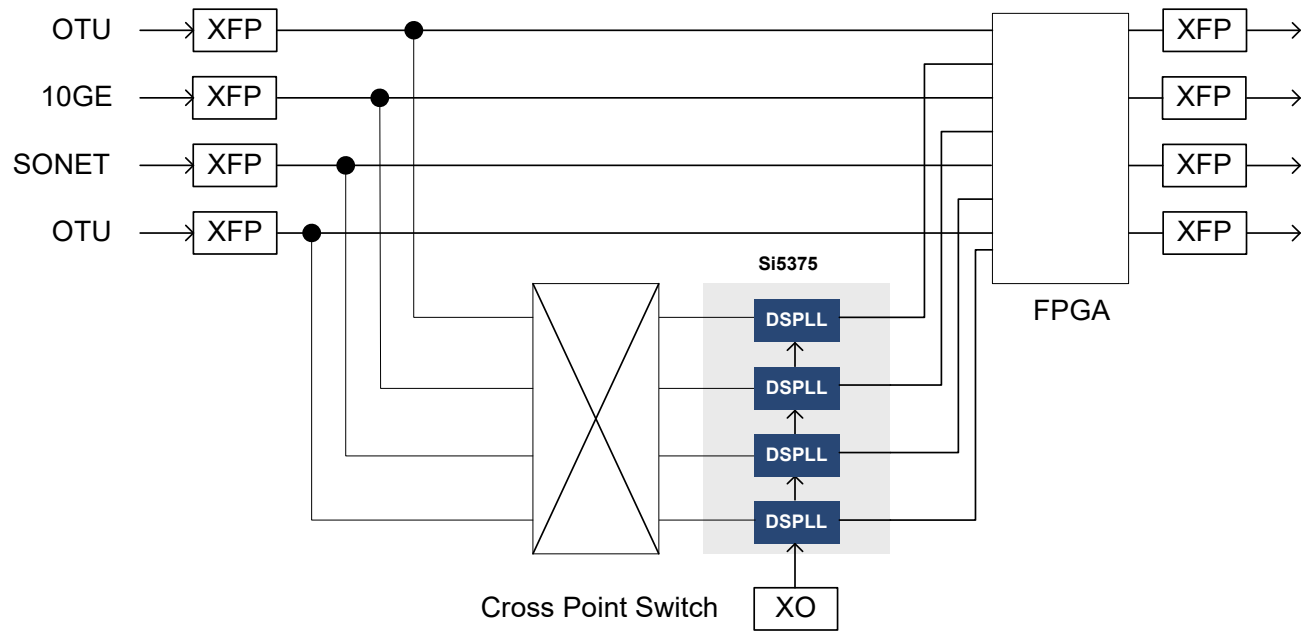


Figure 3. Typical Application Schematic

3. Typical Phase Noise Plot

- 622.08 MHz input
- 641.52 MHz output
- 321 fs RMS jitter (12 kHz to 20 MHz)

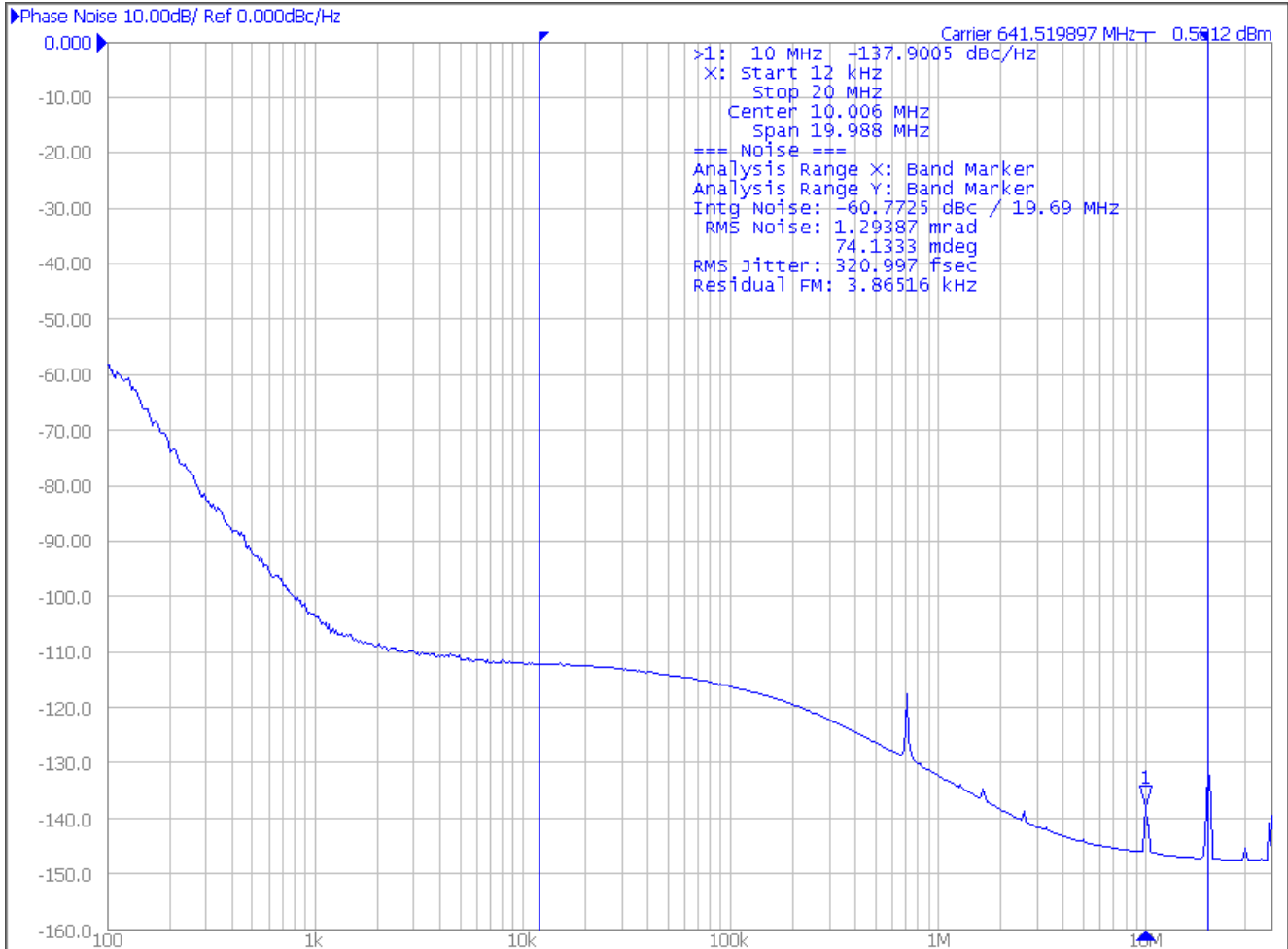


Figure 4. Si5375 Phase Noise Plot

4. Functional Description

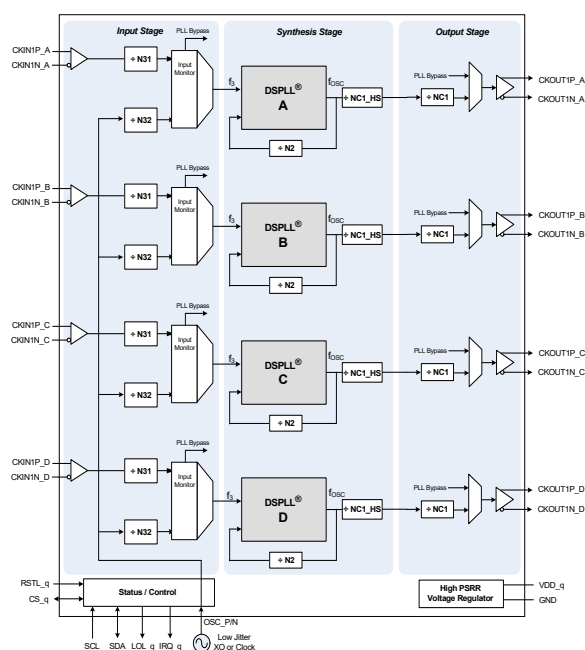


Figure 5. Functional Block Diagram

The Si5375 is a highly integrated jitter-attenuating clock multiplier that integrates four fully independent DSPLLs and provides ultra-low jitter generation with less than 410 fs RMS. The device accepts clock inputs ranging from 2 kHz to 710 MHz and generates independent, synchronous clock outputs ranging from 2 kHz to 808 MHz for each DSPLL. Virtually any frequency translation (M/N) combination across its operating range is supported. The Si5375 supports a digitally programmable loop bandwidth that can range from 60 Hz to 8.4 kHz requiring no external loop filter components. An external single-ended or differential reference clock or XO is required for the device to enable ultra-low jitter generation and jitter attenuation. The Si5375 uses this external reference clock as both a jitter and holdover reference. The reference clock can be either single-ended or differential and should be connected to the OSC_P pin (and the OSC_N pin for differential signaling). Because there is very little jitter attenuation from the OSC_P and OSC_N pins to the output clocks, a low-jitter reference clock is strongly recommended. The stability during holdover is determined by the stability of the reference clock. For more details, see the description of RATE_REG (register 2 on page 12) and the Any-Frequency Precision Clocks Family Reference Manual (<https://www.skyworksinc.com/technical%20documents>). The reference oscillator can be internally routed into CKIN2_q, so free-running clock generation is supported for each DSPLL offering simultaneous synchronous and asynchronous operation. Configuration and control of the Si5375 is primarily handled through the I²C interface.

The device monitors each input clock for Loss-of-Signal (LOS) and provides a LOS alarm when missing pulses on any of the input clocks are detected. The device monitors the lock status of each DSPLL and provides a Loss-of-Lock (LOL) alarm when the DSPLL is unlocked. The lock detect algorithm continuously monitors the phase of the selected input clock in relation to the phase of the feedback clock. The Si5375 provides a VCO freeze capability that allows the device to continue generation of a stable output clock when the input reference is lost.

The output drivers are configurable to support common signal formats, such as LVPECL, LVDS, CML, and CMOS loads. If the CMOS signal format is selected, each differential output buffer generates two in-phase CMOS clocks at the same frequency. For system-level debugging, a bypass mode drives the clock output directly from the selected input clock, bypassing the internal DSPLL.

Skyworks Solutions offers a PC-based software utility, Si537xDSPLLsim that can be used to determine valid frequency plans and loop bandwidth settings to simplify device setup. Si537xDSPLLsim provides the optimum input, output, and feedback divider values for a given input frequency and clock multiplication ratio that minimizes phase noise. This utility can be downloaded from <https://www.skyworksinc.com/en/Application-Pages/DSPLL>. For further assistance, refer to the Si53xx Any-Frequency Precision Clocks Family Reference Manual.

5. Si5375 Application Examples and Suggestions

5.1. Schematic and PCB Layout

For a typical application schematic and PCB layout, see the Si537x-EVB Evaluation Board User's Guide, which can be downloaded <https://www.skyworksinc.com/technical%20documents>.

In order to preserve the ultra low jitter of the Si5375 in applications where the four different DSPLL's are each operating at different frequency, special care and attention must be paid to the PCB layout. The following is a list of rules that should be observed:

1. The four V_{DD} supplies should be isolated from one another with four ferrite beads. They should be separately bypassed with capacitors that are located very close to the Si5375 device.
2. Use a solid and undisturbed ground plane for the Si5375 and all of the clock input and output return paths.
3. For applications that wish to logically connect the four RESET signals, do not tie them together underneath the BGA package. Instead connect them outside of the BGA footprint.
4. As much as is possible, do not route clock input and output signals underneath the BGA package. The clock output signals should go directly outwards from the BGA footprint.
5. Avoid placing the OSC_P and OSC_N signals on the same layer as the clock outputs. Add grounded guard traces surrounding the OSC_P and OSC_N signals.
6. Where possible, place the CKOUT and CKIN signals on separate PCB layers with a ground layer between them. The use of ground guard traces between all clock inputs and outputs is recommended.

For more information, see the Si537x-EVB Evaluation Board User's Guide and Appendix I of the Si53xx Reference Manual, Rev 0.5 or higher.

5.2. Thermal Considerations

The Si5375 dissipates a significant amount of heat and it is important to take this into consideration when designing the Si5375 operating environment. Among other issues, high die temperatures can result in increased jitter and decreased long term reliability. It is therefore recommended that one or more of the following occur:

1. Use a heat sink: A heat sink example is Aavid part number 375324B00035G.
2. Use a V_{DD} voltage of 1.8 V.
3. Limit the ambient temperature to significantly less than 85 °C.
4. Implement very good air flow.

5.3. SCL Leakage

When selecting pull up resistors for the two I²C signals, note that there is an internal pull down resistor of 18 kΩ from the SCL pin to ground. This comment does not apply to the SDA pin.

5.4. RSTL_x Pins

It is recommended that the four RSTL_x pins (RSTL_A, RSTL_B, RSTL_C and RSTL_D) be logically connected together such that all four DSPLLs are either in or out of reset mode. When a DSPLL is in reset mode, its VCO will not be locked to any signal and may drift across its operating range. If a drifting VCO has a frequency similar to that of an operating VCO, there could be some crosstalk between the two VCOs. To avoid this from occurring during device initialization, DSPLLsim loads each DSPLL with default Free Run frequency plans with VCO values apart from one another. If the four RSTL_x pins are directly connected to one another, the connections should not be made directly underneath the BGA package. Instead, the connections should be made outside the package footprint.

5.5. Reference Oscillator Selection

Care should be taken during the selection of the external oscillator that is connected to the OSC_P and OSC_N pins. There is no jitter attenuation from the OSC reference inputs to the output; so, to achieve low output jitter, a low-jitter reference OSC must be used. Also, the output drift during holdover will be the same as the drift of the OSC reference. For example, a Stratum 3 application will require an OSC reference source that has Stratum 3 stability (though Stratum 3 accuracy is not required).

The OSC frequency can be any value from 109 to 125.5 MHz. See the RATE_REG (reg 2) description. Alternately, for applications with less demanding jitter requirements, the OSC frequency can be in the range from 37 to 41 MHz. For applications that use Free Run mode, the freedom to use any OSC frequency within these bands can be used to select an OSC frequency that has an integer relationship to the desired output frequency, which will make it easier to find a high-performance frequency plan.

If Free Run is not being used, an OSC frequency that is not integer-related to the output frequency is preferred. A recommended choice for an external oscillator is the Skyworks Solutions 530HB121M109DG, which is a 2.5 V, CML device with a temperature stability of 20 ppm. It was used to take the typical phase noise plot on page 14. For more details and a more complete discussion of these topics, see the Si53xx Reference Manual.

5.6. Alarms

To assist in the programming of the IRQ_n pins, refer to the below diagram of the Si5375 alarm structure.

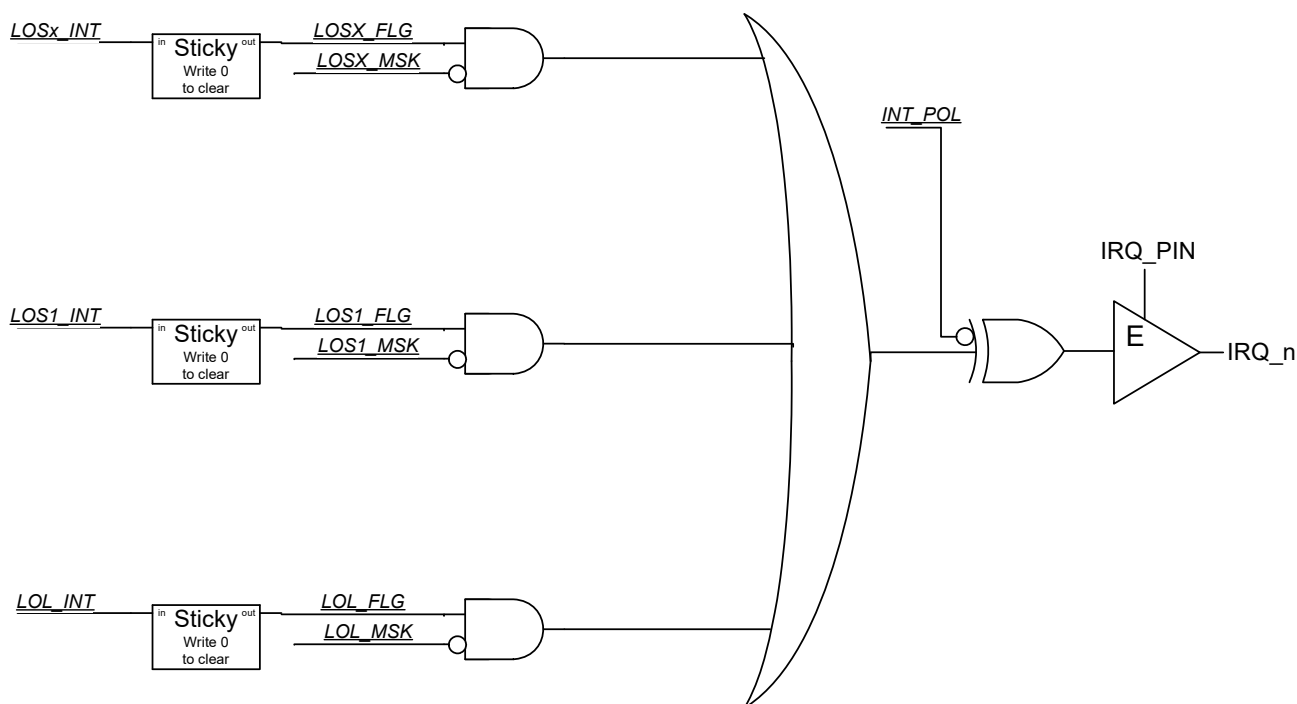


Figure 6. Si5375 Alarm Structure

5.7. OSC_P and OSC_N Connection

Figures 7, 8, and 9 show examples of connecting various OSC reference sources to the OSC_P and OSC_N pins. A crystal may not be used in place of an external oscillator.

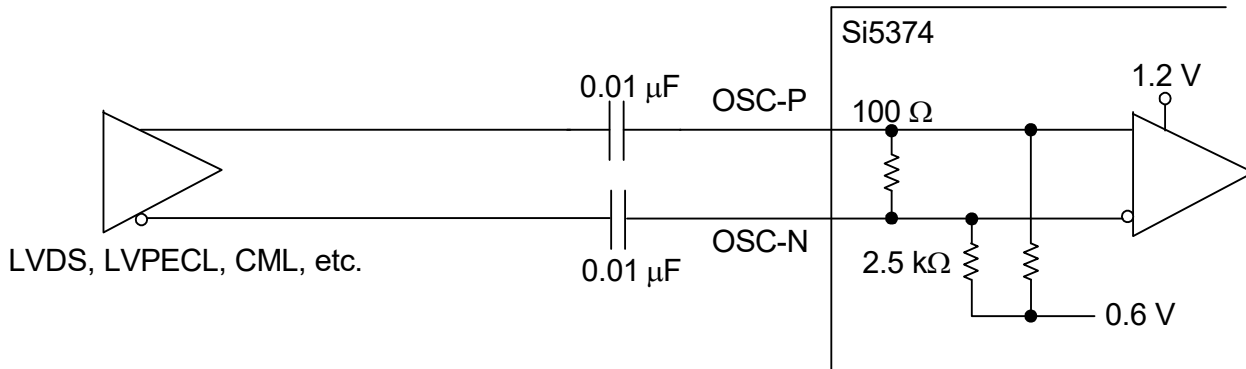


Figure 7. Differential OSC Reference Input Example for Si5375

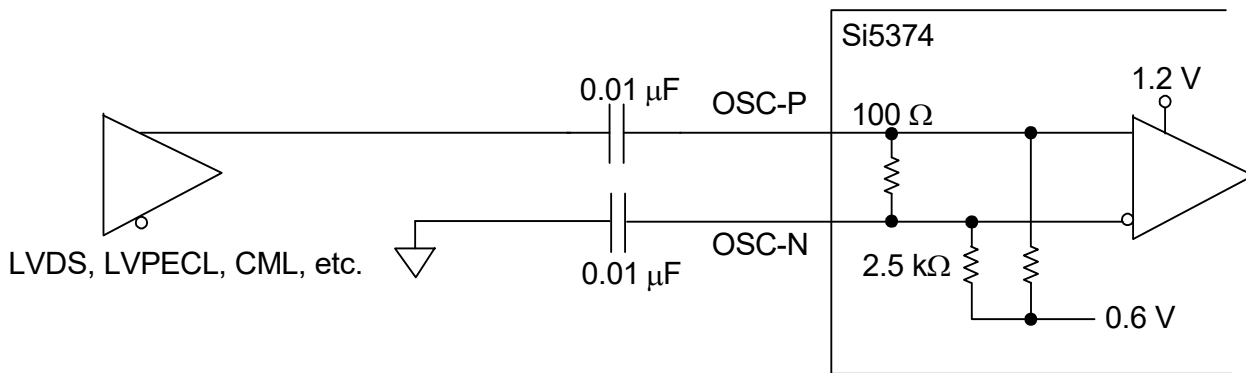


Figure 8. Single-Ended OSC Reference Input Example for Si5375

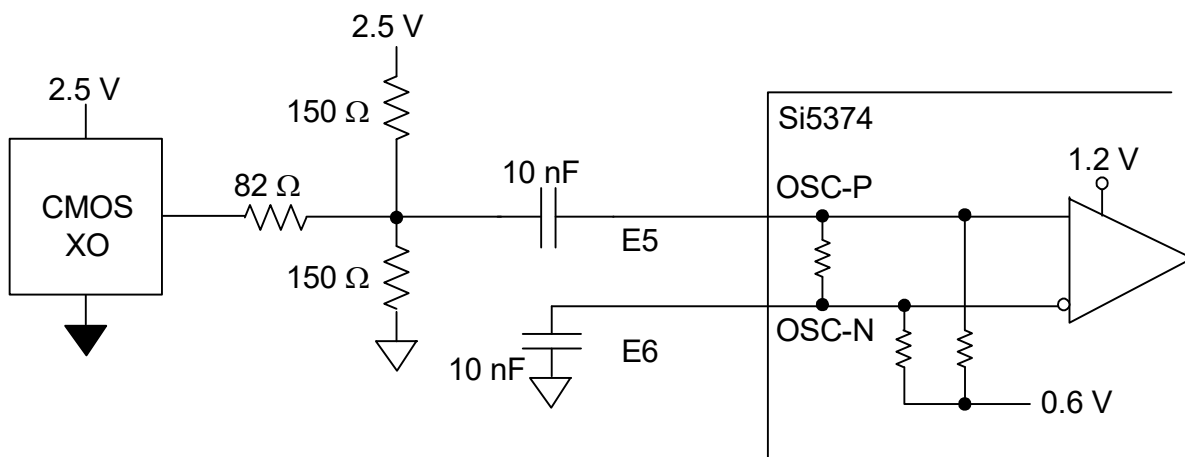


Figure 9. Single-Ended, 2.5 V, CMOS XO Connection

6. Register Map

The Si5375 has four identical register maps for each DSPLL having a unique I²C address. The I²C address is 11010 [A1] [A0] for the entire device. Each corresponding DSPLL [A1] [A0] address is fixed as below.

[A1] [A0]

DSPLLA: 0 0

DSPLLB: 0 1

DSPLLC: 1 0

DSPLLD: 1 1

Note: The Si5375 register map is similar to the Si5319, although not identical.

All register bits that are not defined in this map should always be written with the specified Reset Values. Writing values other than the specified Reset Values may result in undefined device behavior. Registers not listed, such as Register 64, should never be written to.

| Register Address | D7 | D6 | D5 | D4 | D3 | D2 | D1 | D0 |
|------------------|----------------|------------|-----------------|---------|----------------|------------|----------------|----------|
| 0 | | FREE_RUN | CKOUT_ALWAYS_ON | | | | BYPASS_REG | |
| 2 | BWSEL_REG[3:0] | | | | RATE_REG [3:0] | | | |
| 3 | | | VCO_FREEZE | SQ_ICAL | | | | |
| 5 | ICMOS[1:0] | | | | | | | |
| 6 | | | | | | | SFOUT_REG[2:0] | |
| 8 | | | HLOG[1:0] | | | | | |
| 10 | | | | | | DSBL_REG | | |
| 11 | | | | | | | | PD_CK |
| 16 | CLAT[7:0] | | | | | | | |
| 17 | FLAT_VALID | FLAT[14:8] | | | | | | |
| 18 | FLAT[7:0] | | | | | | | |
| 19 | | | VALTIME[1:0] | | | LOCK[T2:0] | | |
| 20 | | | | | | Write to 0 | LOL_PIN | IRQ_PIN |
| 21 | Write to 0 | Write to 0 | | | | | | |
| 22 | | | | | | | LOL_POL | INT_POL |
| 23 | | | | | | | LOS_MSK | LOSX_MSK |
| 24 | | | | | | | | LOL_MSK |

Si5375

| Register Address | D7 | D6 | D5 | D4 | D3 | D2 | D1 | D0 |
|------------------|------------------|------|----|--------------|---------------|------------|---------------|--------------|
| 25 | N1_HS[2:0] | | | | | | | |
| 31 | | | | | NC1_LS[19:16] | | | |
| 32 | NC1_LS[15:8] | | | | | | | |
| 33 | NC1_LS[7:0] | | | | | | | |
| 40 | N2_HS[2:0] | | | | N2_LS[19:16] | | | |
| 41 | N2_LS[15:8] | | | | | | | |
| 42 | N2_LS[7:0] | | | | | | | |
| 43 | | | | | | N31[18:16] | | |
| 44 | N31[15:8] | | | | | | | |
| 45 | N31[7:0] | | | | | | | |
| 46 | | | | | | N32[18:16] | | |
| 47 | N32[15:8] | | | | | | | |
| 48 | N32[7:0] | | | | | | | |
| 128 | | | | | | | OSC_ACT-V_REG | CKACTV_REG |
| 129 | | | | | | | LOS_INT | LOSX_INT |
| 130 | | | | | | | | LOL_INT |
| 131 | | | | | | | LOS_FLG | LOSX_FLG |
| 132 | | | | | | | LOL_FLG | |
| 134 | PARTNUM_RO[11:4] | | | | | | | |
| 135 | PARTNUM_RO[3:0] | | | | REVID_RO[3:0] | | | |
| 136 | RST_REG | ICAL | | | | | | |
| 138 | | | | | | | | LOS_EN [1:1] |
| 139 | | | | LOS_EN [0:0] | | | | |

7. Register Descriptions

Register 0.

| Bit | D7 | D6 | D5 | D4 | D3 | D2 | D1 | D0 |
|------|----|----------|-----------------|----|----|----|------------|----|
| Name | | FREE_RUN | CKOUT_ALWAYS_ON | | | | BYPASS_REG | |
| Type | R | R/W | R/W | R | R | R | R/W | R |

Reset value = 0001 0100

| Bit | Name | Function |
|-----|-----------------|---|
| 7 | Reserved | |
| 6 | FREE_RUN | <p>Free Run. This bit configures free run operation. The OSC_P/N is internally routed to the DSPLL. This allows the device to lock to its OSC reference. 0: Disable 1: Enable</p> |
| 5 | CKOUT_ALWAYS_ON | <p>CKOUT Always On. This will bypass the SQ_ICAL function. Output will be available even if SQ_ICAL is on and ICAL is not complete or successful. 0: Squelch output until part is calibrated (ICAL). 1: Provide an output. Notes: <ol style="list-style-type: none"> 1. The frequency may be significantly off until the part is calibrated. 2. Must be 1 to control output to output skew. </p> |
| 4:2 | Reserved | |
| 1 | BYPASS_REG | <p>Bypass Register. This bit enables or disables the PLL bypass mode. Use only when the device is in digital hold or before the first ICAL. BYPASS mode is not supported with CMOS clock outputs. 0: Normal operation 1: Bypass mode. Selected input clock is connected to CKOUT buffers, bypassing PLL.</p> |
| 0 | Reserved | |

Si5375

Register 2.

| Bit | D7 | D6 | D5 | D4 | D3 | D2 | D1 | D0 |
|------|-----------------|----|----|----|----------------|----|----|----|
| Name | BWSEL_REG [3:0] | | | | RATE_REG [3:0] | | | |
| Type | R/W | | | | R/W | | | |

Reset value = 0100 0010

| Bit | Name | Function | | | | | | | | | | | | | | | | |
|---------------------|-----------------|---|----------------|----------------|--------------------|----------------|------|--------|--------|--------|------|---------|-------------|-----------|---------------------|--|--|--|
| 7:4 | BWSEL_REG [3:0] | BWSEL_REG. Selects nominal f3dB bandwidth for PLL. See the Si537xDSPLLsim software for settings. After BWSEL_REG is written with a new value, an ICAL is required for the change to take effect. | | | | | | | | | | | | | | | | |
| 3:0 | RATE_REG [3:0] | RATE Setting for Oscillator. Set these for the frequency of the oscillator connected to OSC_P/OSC_N pins. An external oscillator or other clock source must be used. It is not possible to use just a crystal. <table><thead><tr><th><u>Setting</u></th><th><u>Minimum</u></th><th><u>Recommended</u></th><th><u>Maximum</u></th></tr></thead><tbody><tr><td>0101</td><td>37 MHz</td><td>40 MHz</td><td>41 MHz</td></tr><tr><td>0110</td><td>109 MHz</td><td>114.285 MHz</td><td>125.5 MHz</td></tr><tr><td>All others reserved</td><td></td><td></td><td></td></tr></tbody></table> | <u>Setting</u> | <u>Minimum</u> | <u>Recommended</u> | <u>Maximum</u> | 0101 | 37 MHz | 40 MHz | 41 MHz | 0110 | 109 MHz | 114.285 MHz | 125.5 MHz | All others reserved | | | |
| <u>Setting</u> | <u>Minimum</u> | <u>Recommended</u> | <u>Maximum</u> | | | | | | | | | | | | | | | |
| 0101 | 37 MHz | 40 MHz | 41 MHz | | | | | | | | | | | | | | | |
| 0110 | 109 MHz | 114.285 MHz | 125.5 MHz | | | | | | | | | | | | | | | |
| All others reserved | | | | | | | | | | | | | | | | | | |

Register 3.

| Bit | D7 | D6 | D5 | D4 | D3 | D2 | D1 | D0 |
|------|----|----|------------|---------|----|----|----|----|
| Name | | | VCO_FREEZE | SQ_ICAL | | | | |
| Type | R | R | R/W | R/W | R | R | R | R |

Reset value = 0000 0101

| Bit | Name | Function |
|-----|------------|--|
| 7:6 | Reserved | |
| 5 | VCO_FREEZE | VCO_FREEZE. Forces the part into VCO Freeze. This bit overrides all other manual and automatic clock selection controls. 0: Normal operation. 1: Force VCO Freeze mode. Overrides all other settings and ignores the quality of all of the input clocks. |
| 4 | SQ_ICAL | SQ_ICAL. This bit determines if the output clock will remain enabled or be squelched (disabled) during an internal calibration. 0: Output clocks enabled during ICAL. 1: Output clocks disabled during ICAL. |
| 3:0 | Reserved | |

Register 5.

| Bit | D7 | D6 | D5 | D4 | D3 | D2 | D1 | D0 |
|------|-------------|----|----|----|----|----|----|----|
| Name | ICMOS [1:0] | | | | | | | |
| Type | R/W | | R | R | R | R | R | R |

Reset value = 1110 1101

| Bit | Name | Function |
|-----|-------------|--|
| 7:6 | ICMOS [1:0] | ICMOS [1:0]. When the output buffer is set to CMOS mode, these bits determine the output buffer drive strength. These values assume CKOUT+ is tied to CKOUT-. 00: 8 mA 01: 16 mA 10: 24 mA 11: 32 mA |
| 5:0 | Reserved | |

Register 6.

| Bit | D7 | D6 | D5 | D4 | D3 | D2 | D1 | D0 |
|------|----|----|----|----|----|-----------------|----|----|
| Name | | | | | | SFOUT_REG [2:0] | | |
| Type | R | R | R | R | R | R/W | | |

Reset value = 0010 1101

| Bit | Name | Function |
|-----|-----------------|---|
| 7:3 | Reserved | |
| 2:0 | SFOUT_REG [2:0] | SFOUT_REG [2:0]. Controls output signal format and disable for CKOUT1 output buffer. 000: Reserved 001: Disable 010: CMOS 011: Low swing LVDS 100: Reserved 101: LVPECL, only available when $V_{DD} = 2.5\text{ V}$ 110: CML 111: LVDS |

Register 8.

| Bit | D7 | D6 | D5 | D4 | D3 | D2 | D1 | D0 |
|------|----|----|-------------|----|----|----|----|----|
| Name | | | HLOG_1[1:0] | | | | | |
| Type | R | R | R/W | | R | R | R | R |

Reset value = 0000 0000

| Bit | Name | Function |
|-----|--------------|--|
| 7:6 | Reserved | |
| 5:4 | HLOG_1 [1:0] | HLOG_1 [1:0]. 00: Normal operation 01: Holds CKOUT_n output at static logic 0. Entrance and exit from this state will occur without glitches or runt pulses. 10: Holds CKOUT_n output at static logic 1. Entrance and exit from this state will occur without glitches or runt pulses. 11: Reserved |
| 3:0 | Reserved | |

Register 10.

| Bit | D7 | D6 | D5 | D4 | D3 | D2 | D1 | D0 |
|-------------|----|----|----|----|----|----------|----|----|
| Name | | | | | | DSBL_REG | | |
| Type | R | R | R | R | R | R/W | R | R |

Reset value = 0000 0000

| Bit | Name | Function |
|-----|----------|--|
| 7:3 | Reserved | |
| 2 | DSBL_REG | DSBL_REG. This bit controls the powerdown of the CKOUT output buffer. If disable mode is selected, the NC1 output divider is also powered down. 0: CKOUT enabled 1: CKOUT disabled |
| 1:0 | Reserved | |

Register 11.

| Bit | D7 | D6 | D5 | D4 | D3 | D2 | D1 | D0 |
|-------------|----|----|----|----|----|----|----|-------|
| Name | | | | | | | | PD_CK |
| Type | R | R | R | R | R | R | R | R/W |

Reset value = 0100 0000

| Bit | Name | Function |
|-----|----------|---|
| 7:1 | Reserved | |
| 0 | PD_CK | PD_CK. This bit controls the powerdown of the CKIN input buffer. 0: Enabled 1: Disabled |

Si5375

Register 16.

| Bit | D7 | D6 | D5 | D4 | D3 | D2 | D1 | D0 |
|------|------------|----|----|----|----|----|----|----|
| Name | CLAT [7:0] | | | | | | | |
| Type | R/W | | | | | | | |

Reset value = 0000 0000

| Bit | Name | Function |
|-----|------------|---|
| 7:0 | CLAT [7:0] | CLAT [7:0]. With INCDEC_PIN = 0, this register sets the phase delay for CKOUT in units of 1/Fosc. This can take as long as 20 seconds. 01111111 = 127/Fosc (2s compliment) 00000000 = 0 10000000 = -128/Fosc (2s compliment) |

Register 17.

| Bit | D7 | D6 | D5 | D4 | D3 | D2 | D1 | D0 |
|------|------------|-------------|----|----|----|----|----|----|
| Name | FLAT_VALID | FLAT [14:8] | | | | | | |
| Type | R/W | R/W | | | | | | |

Reset value = 1000 0000

| Bit | Name | Function |
|-----|-------------|---|
| 7 | FLAT_VALID | FLAT_VALID. Before writing a new FLAT[14:0] value, this bit must be set to zero, which causes the existing FLAT[14:0] value to be held internally for use while the new value is being written. Once the new FLAT[14:0] value is completely written, set FLAT_VALID = 1 to enable its use. 0: Memorize existing FLAT[14:0] value and ignore intermediate register values during write of new FLAT[14:0] value. 1: Use FLAT[14:0] value directly from registers. |
| 6:0 | FLAT [14:8] | FLAT [14:8]. Fine resolution control for overall device latency from input clocks to output clocks. Positive values increase the skew. See DSPLLsim for details. |

Register 18.

| Bit | D7 | D6 | D5 | D4 | D3 | D2 | D1 | D0 |
|-------------|------------|----|----|----|----|----|----|----|
| Name | FLAT [7:0] | | | | | | | |
| Type | R/W | | | | | | | |

Reset value = 0000 0000

| Bit | Name | Function |
|-----|------------|---|
| 7:0 | FLAT [7:0] | FLAT [7:0]. Fine resolution control for overall device latency from input clocks to output clocks. Positive values increase the skew. See DSPLLsim for details. |

Register 19.

| Bit | D7 | D6 | D5 | D4 | D3 | D2 | D1 | D0 |
|-------------|----|----|----|---------------|----|-------------|----|----|
| Name | | | | VALTIME [1:0] | | LOCKT [2:0] | | |
| Type | R | R | R | R/W | | R/W | | |

Reset value = 0010 1100

| Bit | Name | Function |
|-----|---------------|--|
| 7:5 | Reserved | |
| 4:3 | VALTIME [1:0] | VALTIME [1:0]. Sets amount of time for input clock to be valid before the associated alarm is removed. 00: 2 ms 01: 100 ms 10: 200 ms 11: 13 seconds |
| 2:0 | LOCKT [2:0] | LOCKT [2:0]. Sets retrigger interval for one shot monitoring phase detector output. One shot is triggered by phase slip in DSPLL. 000: 106 ms 001: 53 ms 010: 26.5 ms 011: 13.3 ms 100: 6.6 ms 101: 3.3 ms 110: 1.66 ms 111: .833 ms |

Si5375

Register 20.

| Bit | D7 | D6 | D5 | D4 | D3 | D2 | D1 | D0 |
|------|----|----|----|----|----|----|---------|---------|
| Name | | | | | | | LOL_PIN | IRQ_PIN |
| Type | R | R | R | R | R | W | R/W | R/W |

Reset value = 0011 1110

| Bit | Name | Function |
|-----|----------|--|
| 7:2 | Reserved | Must write to 0 for normal operation. |
| 1 | LOL_PIN | LOL_PIN. The LOL_INT status bit can be reflected on the LOL output pin. 0: LOL output pin tri-stated 1: LOL_INT status reflected to output pin |
| 0 | IRQ_PIN | IRQ_PIN. Reflects the interrupt status on the IRQ output pin. 0: IRQ output pin is tri-stated. 1: Interrupt state reflected to output pin. |

Register 21.

| Bit | D7 | D6 | D5 | D4 | D3 | D2 | D1 | D0 |
|------|----|----|----|----|----|----|----|----|
| Name | | | | | | | | |
| Type | W | W | R | R | R | R | R | R |

Reset value = 1111 1111

| Bit | Name | Function |
|-----|----------|---------------------------------------|
| 7:6 | Reserved | Must write to 0 for normal operation. |
| 5:0 | Reserved | |

Register 22.

| Bit | D7 | D6 | D5 | D4 | D3 | D2 | D1 | D0 |
|-------------|----|----|----|----|----|----|---------|---------|
| Name | | | | | | | LOL_POL | IRQ_POL |
| Type | R | R | R | R | R | R | R/W | R/W |

Reset value = 1101 1111

| Bit | Name | Function |
|-----|----------|---|
| 7:3 | Reserved | |
| 1 | LOL_POL | LOL_POL. Sets the active polarity for the LOL status when reflected on the LOL_q output pin. 0: Active low 1: Active high |
| 0 | IRQ_POL | INT_POL. Sets the active polarity for the interrupt status when reflected on the IRQ. output pin. 0: Active low 1: Active high |

Si5375

Register 23.

| Bit | D7 | D6 | D5 | D4 | D3 | D2 | D1 | D0 |
|------|----|----|----|----|----|----|---------|----------|
| Name | | | | | | | LOS_MSK | LOSX_MSK |
| Type | R | R | R | R | R | R | R/W | R/W |

Reset value = 0001 1111

| Bit | Name | Function |
|-----|----------|--|
| 7:2 | Reserved | |
| 1 | LOS_MSK | LOS_MSK. Determines if a LOS on CKIN_q (LOS_FLG) is used in the generation of an interrupt. Writes to this register do not change the value held in the LOS_FLG register. 0: LOS1 alarm triggers active interrupt on IRQ_q output (if INT_PIN=1). 1: LOS_FLG ignored in generating interrupt output. |
| 0 | LOSX_MSK | LOSX_MSK. Determines if a LOS on OSC is used in the generation of an interrupt. Writes to this register do not change the value held in the LOSX_FLG register. 0: LOSX alarm triggers active interrupt on IRQ_q output (if INT_PIN=1). 1: LOSX_FLG ignored in generating interrupt output. |

Register 24.

| Bit | D7 | D6 | D5 | D4 | D3 | D2 | D1 | D0 |
|------|----|----|----|----|----|----|----|---------|
| Name | | | | | | | | LOL_MSK |
| Type | R | R | R | R | R | R | R | R/W |

Reset value = 0011 1111

| Bit | Name | Function |
|-----|----------|---|
| 7:1 | Reserved | |
| 0 | LOL_MSK | LOL_MSK. Determines if the LOL_FLG is used in the generation of an interrupt. Writes to this register do not change the value held in the LOL_FLG register. 0: LOL alarm triggers active interrupt on IRQ output (if IRQ_PIN=1). 1: LOL_FLG ignored in generating interrupt output. |

Register 25.

| Bit | D7 | D6 | D5 | D4 | D3 | D2 | D1 | D0 |
|-------------|-------------|----|----|----|----|----|----|----|
| Name | N1_HS [2:0] | | | | | | | |
| Type | R/W | | | R | R | R | R | R |

Reset value = 0010 0000

| Bit | Name | Function |
|-----|-------------|--|
| 7:5 | N1_HS [2:0] | N1_HS [2:0]. Sets value for N1 high speed divider which drives NC1_LS (n = 1 to 2) low-speed divider. 000: N1 = 4 Note: Changing the coarse skew via the INC pin is disabled for this value. 001: N1 = 5 010: N1 = 6 011: N1 = 7 100: N1 = 8 101: N1 = 9 110: N1 = 10 111: N1 = 11 |
| 4:0 | Reserved | |

Register 31.

| Bit | D7 | D6 | D5 | D4 | D3 | D2 | D1 | D0 |
|-------------|----|----|----|----|----------------|----|----|----|
| Name | | | | | NC1_LS [19:16] | | | |
| Type | R | R | R | R | R/W | | | |

Reset value = 0000 0000

| Bit | Name | Function |
|-----|----------------|--|
| 7:4 | Reserved | |
| 3:0 | NC1_LS [19:16] | NC1_LS [19:16]. Sets value for NC1 low-speed divider, which drives CKOUTn_q output. Must be 0 or odd. 00000000000000000000 = 1 00000000000000000001 = 2 00000000000000000011 = 4 00000000000000000101 = 6 ... 11111111111111111111 = 2^{20} Valid divider values = [1, 2, 4, 6, ..., 2^{20}] |

Si5375

Register 32.

| Bit | D7 | D6 | D5 | D4 | D3 | D2 | D1 | D0 |
|-------------|---------------|----|----|----|----|----|----|----|
| Name | NC1_LS [15:8] | | | | | | | |
| Type | R/W | | | | | | | |

Reset value = 0000 0000

| Bit | Name | Function |
|-----|---------------|---|
| 7:0 | NC1_LS [15:8] | <p>NC1_LS [15:8]. Sets value for NC1 low-speed divider, which drives CKOUTn_q output. Must be 0 or odd. 00000000000000000000 = 1 00000000000000000001 = 2 00000000000000000011 = 4 00000000000000000101 = 6 ... 11111111111111111111 = 2²⁰ Valid divider values = [1, 2, 4, 6, ..., 2²⁰]</p> |

Register 33.

| Bit | D7 | D6 | D5 | D4 | D3 | D2 | D1 | D0 |
|-------------|--------------|----|----|----|----|----|----|----|
| Name | NC1_LS [7:0] | | | | | | | |
| Type | R/W | | | | | | | |

Reset value = 0011 0001

| Bit | Name | Function |
|-----|--------------|--|
| 7:0 | NC1_LS [7:0] | <p>NC1_LS [7:0]. Sets value for NC1 low-speed divider, which drives CKOUTn_q output. Must be 0 or odd. 00000000000000000000 = 1 00000000000000000001 = 2 00000000000000000011 = 4 00000000000000000101 = 6 ... 11111111111111111111 = 2²⁰ Valid divider values = [1, 2, 4, 6, ..., 2²⁰]</p> |

Register 40.

| Bit | D7 | D6 | D5 | D4 | D3 | D2 | D1 | D0 |
|-------------|-------------|----|----|----|---------------|-----|----|----|
| Name | N2_HS [2:0] | | | | N2_LS [19:16] | | | |
| Type | R/W | | | R | | R/W | | |

Reset value = 1100 0000

| Bit | Name | Function |
|-----|---------------|--|
| 7:5 | N2_HS [2:0] | N2_HS [2:0]. Sets value for N2 high speed divider which drives N2_LS low-speed divider. 000: 4 001: 5 010: 6 011: 7 100: 8 101: 9 110: 10 111: 11 |
| 4 | Reserved | |
| 3:0 | N2_LS [19:16] | N2_LS [19:16]. Sets value for N2 low-speed divider, which drives phase detector. 00000000000000000001 = 2 00000000000000000011 = 4 00000000000000000101 = 6 ... 11111111111111111111 = 2^{20} Valid divider values = [2, 4, 6, ..., 2^{20}] |

Si5375

Register 41.

| Bit | D7 | D6 | D5 | D4 | D3 | D2 | D1 | D0 |
|------|--------------|----|----|----|----|----|----|----|
| Name | N2_LS [15:8] | | | | | | | |
| Type | R/W | | | | | | | |

Reset value = 0000 0000

| Bit | Name | Function |
|-----|--------------|---|
| 7:0 | N2_LS [15:8] | N2_LS [15:8]. Sets value for N2 low-speed divider, which drives phase detector. 00000000000000000001 = 2 00000000000000000011 = 4 00000000000000000101 = 6 ... 11111111111111111111 = 2^{20} Valid divider values = [2, 4, 6, ..., 2^{20}] |

Register 42.

| Bit | D7 | D6 | D5 | D4 | D3 | D2 | D1 | D0 |
|------|-------------|----|----|----|----|----|----|----|
| Name | N2_LS [7:0] | | | | | | | |
| Type | R/W | | | | | | | |

Reset value = 1111 1001

| Bit | Name | Function |
|-----|-------------|--|
| 7:0 | N2_LS [7:0] | N2_LS [7:0]. Sets value for N2 low-speed divider, which drives phase detector. 00000000000000000001 = 2 00000000000000000011 = 4 00000000000000000101 = 6 ... 11111111111111111111 = 2^{20} Valid divider values = [2, 4, 6, ..., 2^{20}] |

Register 43.

| Bit | D7 | D6 | D5 | D4 | D3 | D2 | D1 | D0 |
|-------------|-------------|----|----|----|----|-----|----|----|
| Name | N31 [18:16] | | | | | | | |
| Type | R | R | R | R | R | R/W | | |

Reset value = 0000 0000

| Bit | Name | Function |
|-----|-------------|--|
| 7:3 | Reserved | |
| 2:0 | N31 [18:16] | N31 [18:16]. Sets value for input divider for CKINn_q. 00000000000000000000 = 1 00000000000000000001 = 2 00000000000000000010 = 3 ... 11111111111111111111 = 2 ¹⁹ Valid divider values = [1, 2, 3, ..., 2 ¹⁹] |

Register 44.

| Bit | D7 | D6 | D5 | D4 | D3 | D2 | D1 | D0 |
|-------------|-----------|----|----|----|----|----|----|----|
| Name | N31[15:8] | | | | | | | |
| Type | R/W | | | | | | | |

Reset value = 0000 0000

| Bit | Name | Function |
|-----|-----------|--|
| 7:0 | N31[15:8] | N31[15:8]. Sets value for input divider for CKIN1. 00000000000000000000 = 1 00000000000000000001 = 2 00000000000000000010 = 3 ... 11111111111111111111 = 2 ¹⁹ Valid divider values = [1, 2, 3, ..., 2 ¹⁹] |

Si5375

Register 45.

| Bit | D7 | D6 | D5 | D4 | D3 | D2 | D1 | D0 |
|------|----------|----|----|----|----|----|----|----|
| Name | N31[7:0] | | | | | | | |
| Type | R/W | | | | | | | |

Reset value = 0000 1001

| Bit | Name | Function |
|-----|----------|---|
| 7:0 | N31[7:0] | N31[7:0]. Sets value for input divider for CKIN1. 00000000000000000000 = 1 00000000000000000001 = 2 00000000000000000010 = 3 ... 11111111111111111111 = 2^{19} Valid divider values = [1, 2, 3, ..., 2^{19}] |

Register 46.

| Bit | D7 | D6 | D5 | D4 | D3 | D2 | D1 | D0 |
|------|----|----|----|----|----|------------|----|----|
| Name | | | | | | N32[18:16] | | |
| Type | R | R | R | R | R | R/W | | |

Reset value = 0000 0000

| Bit | Name | Function |
|-----|------------|---|
| 7:3 | Reserved | |
| 2:0 | N32[18:16] | N32[18:16]. Sets value for input divider for OSC clock input operation. 00000000000000000000 = 1 00000000000000000001 = 2 00000000000000000010 = 3 ... 11111111111111111111 = 2^{19} Valid divider values=[1, 2, 3, ..., 2^{19}] |

Register 47.

| Bit | D7 | D6 | D5 | D4 | D3 | D2 | D1 | D0 |
|-------------|-----------|----|----|----|----|----|----|----|
| Name | N32[15:8] | | | | | | | |
| Type | R/W | | | | | | | |

Reset value = 0000 0000

| Bit | Name | Function |
|-----|-----------|---|
| 7:0 | N32[15:8] | <p>N32[15:8]. Sets value for input divider for OSC clock input operation. 00000000000000000000 = 1 00000000000000000001 = 2 00000000000000000010 = 3 ... 11111111111111111111 = 2^{19} Valid divider values = [1, 2, 3, ..., 2^{19}]</p> |

Register 48.

| Bit | D7 | D6 | D5 | D4 | D3 | D2 | D1 | D0 |
|-------------|----------|----|----|----|----|----|----|----|
| Name | N32[7:0] | | | | | | | |
| Type | R/W | | | | | | | |

Reset value = 0000 1001

| Bit | Name | Function |
|-----|----------|--|
| 7:0 | N32[7:0] | <p>N32[7:0]. Sets value for input divider for OSC clock input operation. 00000000000000000000 = 1 00000000000000000001 = 2 00000000000000000010 = 3 ... 11111111111111111111 = 2^{19} Valid divider values = [1, 2, 3, ..., 2^{19}]</p> |

Si5375

Register 128.

| Bit | D7 | D6 | D5 | D4 | D3 | D2 | D1 | D0 |
|------|----|----|----|----|----|----|--------------|-------------|
| Name | | | | | | | OSC_ACTV_REG | CK_ACTV_REG |
| Type | R | R | R | R | R | R | R | R |

Reset value = 0010 0000

| Bit | Name | Function |
|-----|--------------|--|
| 7:2 | Reserved | |
| 1 | OSC_ACTV_REG | OSC_ACTV_REG. Indicates if OSC is currently the active clock for PLL input. |
| 0 | CK_ACTV_REG | CK_ACTV_REG. Indicates if CKIN_q is currently the active clock for the PLL input. 0: CKIN_q is not the active input clock. Either it is not selected or LOS_INT is 1. 1: CKIN_q is the active input clock. |

Register 129.

| Bit | D7 | D6 | D5 | D4 | D3 | D2 | D1 | D0 |
|------|----|----|----|----|----|----|---------|----------|
| Name | | | | | | | LOS_INT | LOSX_INT |
| Type | R | R | R | R | R | R | R | R |

Reset value = 0000 0110

| Bit | Name | Function |
|-----|----------|---|
| 7:2 | Reserved | |
| 1 | LOS_INT | LOS_INT. Indicates the LOS status on CKINn_q. 0: Normal operation. 1: Internal loss-of-signal alarm on CKINn_q input. |
| 0 | LOSX_INT | LOSX_INT. Indicates the LOS status of the external reference on the OSC_P/N pins. 0: Normal operation. 1: Internal loss-of-signal alarm on OSC_P/N reference clock input. |

Register 130.

| Bit | D7 | D6 | D5 | D4 | D3 | D2 | D1 | D0 |
|------|--------------|----|----|----|----|----|----|---------|
| Name | CLATPROGRESS | | | | | | | LOL_INT |
| Type | R | R | R | R | R | R | R | R |

Reset value = 0000 0001

| Bit | Name | Function |
|-----|--------------|--|
| 7 | CLATPROGRESS | CLAT Progress. Indicates if the last change in the CLAT register has been processed. 0: Coarse skew adjustment not in progress. 1: Coarse skew adjustment in progress. |
| 6:1 | Reserved | |
| 0 | LOL_INT | PLL Loss of Lock Status. 0: PLL locked. 1: PLL unlocked. |

Register 131.

| Bit | D7 | D6 | D5 | D4 | D3 | D2 | D1 | D0 |
|------|----|----|----|----|----|----|---------|----------|
| Name | | | | | | | LOS_FLG | LOSX_FLG |
| Type | R | R | R | R | R | R | R/W | R/W |

Reset value = 0001 1111

| Bit | Name | Function |
|-----|----------|---|
| 7:2 | Reserved | |
| 1 | LOS_FLG | CKINn_q Loss-of-Signal Flag. 0: Normal operation 1: Held version of LOS_INT. Generates active output interrupt if output interrupt pin is enabled (INT_PIN = 1) and if not masked by LOS_MSK bit. Flag cleared by writing 0 to this bit. |
| 0 | LOSX_FLG | External Reference (Signal on Pins OSC_P/N) Loss-of-Signal Flag. 0: Normal operation 1: Held version of LOSX_INT. Generates active output interrupt if output interrupt pin is enabled (INT_PIN = 1) and if not masked by LOSX_MSK bit. Flag cleared by writing 0 to this bit. |

Si5375

Register 132.

| Bit | D7 | D6 | D5 | D4 | D3 | D2 | D1 | D0 |
|------|----|----|----|----|----|----|---------|----|
| Name | | | | | | | LOL_FLG | |
| Type | R | R | R | R | R | R | R/W | R |

Reset value = 0000 0010

| Bit | Name | Function |
|--------|----------|---|
| 7:2, 0 | Reserved | |
| 1 | LOL_FLG | PLL Loss of Lock Flag. 0: PLL locked 1: Held version of LOL_INT. Generates active output interrupt if output interrupt pin is enabled (INT_PIN = 1) and if not masked by LOL_MSK bit. Flag cleared by writing 0 to this bit. |

Register 134.

| Bit | D7 | D6 | D5 | D4 | D3 | D2 | D1 | D0 |
|------|-------------------|----|----|----|----|----|----|----|
| Name | PARTNUM_RO [11:4] | | | | | | | |
| Type | R | | | | | | | |

Reset value = 0000 0100

| Bit | Name | Function |
|-----|-------------------|--|
| 7:0 | PARTNUM_RO [11:0] | Device ID (1 of 2). 0000 0100 1011: Si5375 |

Register 135.

| Bit | D7 | D6 | D5 | D4 | D3 | D2 | D1 | D0 |
|-------------|------------------|----|----|----|----------------|----|----|----|
| Name | PARTNUM_RO [3:0] | | | | REVID_RO [3:0] | | | |
| Type | R | | | | R | | | |

Reset value = 1011 0010

| Bit | Name | Function |
|-----|-------------------|--|
| 7:4 | PARTNUM_RO [11:0] | Device ID (2 of 2). 0000 0100 1011: Si5375 |
| 3:0 | REVID_RO [3:0] | Device Revision Level. 0010: Revision C Others: Reserved. |

Register 136.

| Bit | D7 | D6 | D5 | D4 | D3 | D2 | D1 | D0 |
|-------------|---------|------|----|----|----|----|----|----|
| Name | RST_REG | ICAL | | | | | | |
| Type | R/W | R/W | R | R | R | R | R | R |

Reset value = 0000 0000

| Bit | Name | Function |
|-----|----------|---|
| 7 | RST_REG | Internal Reset (Same as Pin Reset). Note: The I ² C port may not be accessed until 10 ms after RST_REG is asserted. 0: Normal operation. 1: Reset of all internal logic. Outputs disabled or tristated during reset. |
| 6 | ICAL | Start an Internal Calibration Sequence. For proper operation, the device must go through an internal calibration sequence. ICAL is a self-clearing bit. Writing a one to this location initiates an ICAL. The calibration is complete once the LOL alarm goes low. A valid stable clock (within 100 ppm) must be present to begin ICAL. Note: Any divider, CLKINn_RATE or BWSEL_REG changes require an ICAL to take effect. 0: Normal operation. 1: Writing a "1" initiates internal self-calibration. Upon completion of internal self-calibration, LOL will go low. |
| 5:0 | Reserved | |

Si5375

Register 138.

| Bit | D7 | D6 | D5 | D4 | D3 | D2 | D1 | D0 |
|------|----|----|----|----|----|----|----|--------------|
| Name | | | | | | | | LOS_EN [1:1] |
| Type | R | R | R | R | R | R | R | R/W |

Reset value = 0000 1111

| Bit | Name | Function |
|-----|--------------|--|
| 7:1 | Reserved | |
| 0 | LOS_EN [1:0] | Enable CKINn_q LOS Monitoring on the Specified Input (1 of 2). Note: LOS_EN is split between two registers. 00: Disable LOS monitoring. 01: Reserved. 10: Enable LOSA monitoring. 11: Enable LOS monitoring. LOSA is a slower and less sensitive version of LOS. |

Register 139.

| Bit | D7 | D6 | D5 | D4 | D3 | D2 | D1 | D0 |
|------|----|----|----|--------------|----|----|----|----|
| Name | | | | LOS_EN [0:0] | | | | |
| Type | R | R | R | R/W | R | R | R | R |

Reset value = 1111 1111

| Bit | Name | Function |
|-----|--------------|---|
| 7:5 | Reserved | |
| 4 | LOS_EN [1:0] | Enable CKIN_q LOS Monitoring on the Specified Input (2 of 2). Note: LOS_EN is split between two registers. 00: Disable LOS monitoring. 01: Reserved. 10: Enable LOSA monitoring. 11: Enable LOS monitoring. LOSA is a slower and less sensitive version of LOS. |
| 3:0 | Reserved | |

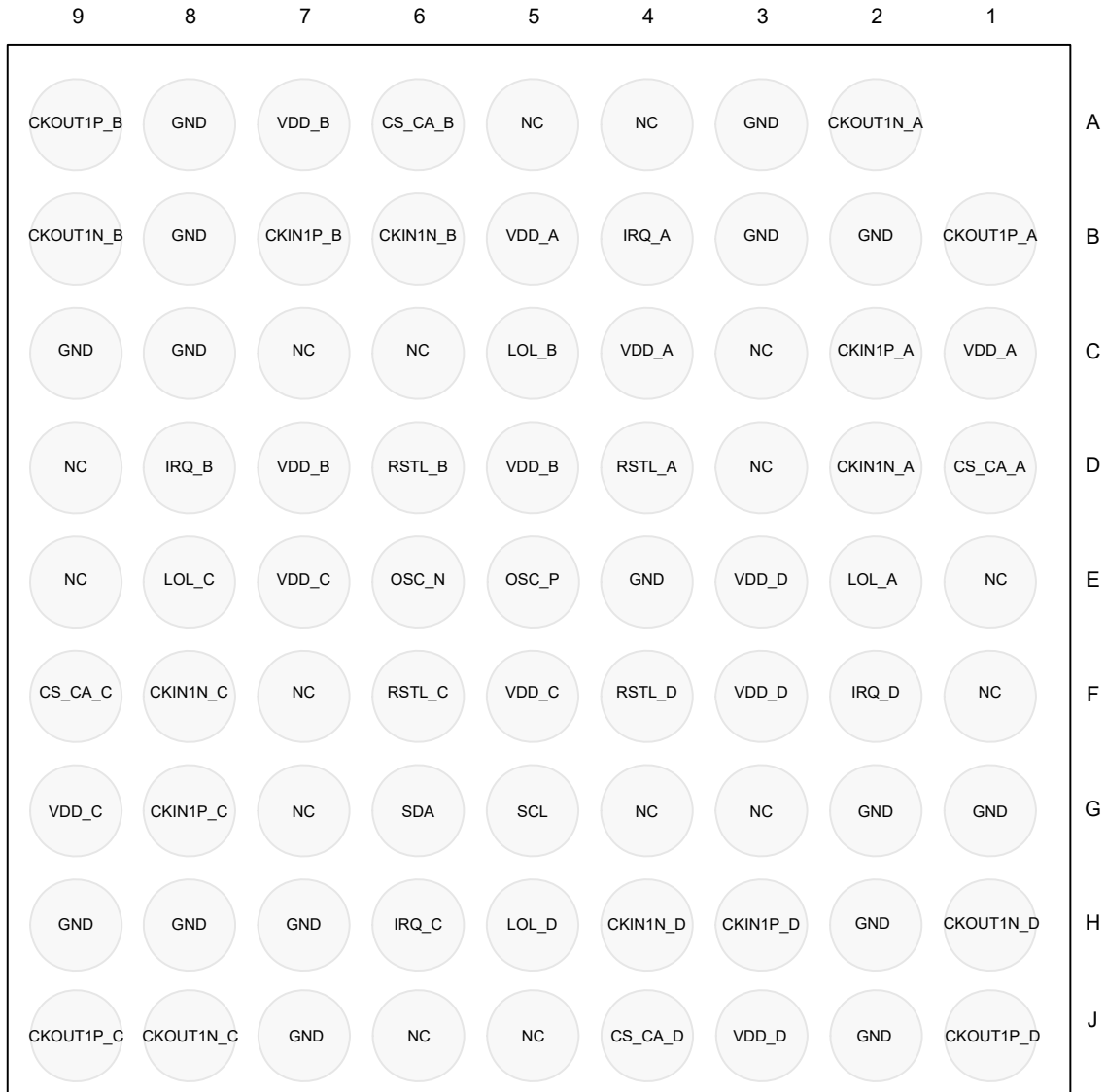
7.1. ICAL

The device registers must be configured for the device operation. After device configuration, a calibration procedure must be performed once a stable clock is applied to the selected CKINn input. The calibration process is triggered by writing a “1” to bit D6 in register 136. See the Family Reference Manual for details. In addition, after a successful calibration operation, changing any of the registers indicated in Table 8 requires that a calibration be performed again by the same procedure (writing a “1” to bit D6 in register 136).

Table 8. ICAL-Sensitive Registers

| Address | Register |
|---------|-----------------|
| 0 | BYPASS_REG |
| 0 | CKOUT_ALWAYS_ON |
| 2 | BSWEL_REG |
| 2 | RATE_REG |
| 5 | ICMOS |
| 10 | DSBL_REG |
| 11 | PD_CK |
| 19 | LOCKT |
| 19 | VALTIME |
| 25 | N1_HS |
| 31 | NC1_LS |
| 40 | N2_HS |
| 40 | N2_LS |
| 43 | N31 |
| 46 | N32 |

8. Pin Descriptions: Si5375



Bottom View

Figure 10. Si5375 Pin Configuration (Bottom View)

Table 9. Si5375 Pin Descriptions

| Pin # | Pin Name | I/O | Signal Level | Description |
|--|--------------------------------------|-----------------|--------------|---|
| D4 D6 F6 F4 | RSTL_A RSTL_B RSTL_C RSTL_D | I | LVC MOS | External Reset. Active low input that performs external hardware reset of all four DSPLLs. Resets all internal logic to a known state and forces the device registers to their default value. Clock outputs are tri-stated during reset. The part must be programmed after a reset or power-on to get a clock output. This pin has a weak pull-up. |
| B4 D8 H6 F2 | IRQ_A IRQ_B IRQ_C IRQ_D | O | LVC MOS | DSPLLq Interrupt Indicator. This pin functions as a device interrupt output. The interrupt output, <i>IRQ_PINn</i> must be set to 1. The pin functions as a maskable interrupt output with active polarity controlled by the <i>IRQ_POLn</i> register bit. 0 = CKINn present 1 = LOS on CKINn The active polarity is controlled by <i>CK_BAD_POL</i> . If no function is selected, the pin tri-states. |
| C1, C4, B5 A7, D5, D7 E7, F5, G9 E3, F3, J3 | VDD_A VDD_B VDD_C VDD_D | V _{DD} | Supply | Supply. The device operates from a 1.8 or 2.5 V supply. A 0.1 μF bypass capacitive is required for every VDD_q pin. Bypass capacitors should be associated with the following VDD_q pins: 0.1 μF per V _{DD} pin. Four 1.0 μF should also be placed as close to each V _{DD} domain as is practical. See recommended layout. |
| E5 E6 | OSC_P OSC_N | I | Analog | External OSC. An external low jitter reference clock should be connected to these pins. See the any-frequency precision clocks family reference manual for oscillator selection details. |
| Note: Internal register names are indicated by italics, e.g., <i>IRQ_PIN</i> . See Si5375 Register Map. | | | | |

Table 9. Si5375 Pin Descriptions (Continued)

| Pin # | Pin Name | I/O | Signal Level | Description |
|--|--|-----|--------------|---|
| B2 A3 B3 E4 C8 A8 B8 C9 H7 J7 H8 H9 G1 H2 J2 G2 | GND GND GND GND GND GND GND GND GND GND GND GND GND GND GND GND | GND | Supply | Ground for each DSPLLq. Must be connected to system ground. Minimize the ground path impedance for optimal performance of this device. See recommended layout. |
| C2 D2 B7 B6 G8 F8 H3 H4 | CKIN1P_A CKIN1N_A CKIN1P_B CKIN1N_B CKIN1P_C CKIN1N_C CKIN1P_D CKIN1N_D | I | Multi | Clock Input for DSPLLq. Differential input clock. This input can also be driven with a single-ended signal. Input frequency range is 2 kHz to 710 MHz. |
| E2 C5 E8 H5 | LOL_A LOL_B LOL_C LOL_D | O | LVC MOS | DSPLLq Loss of Lock Indicator. These pins function as the active high PLL loss of lock indicator if the <i>LOL_PIN</i> register bit is set to 1. 0 = PLL locked. 1 = PLL unlocked. If <i>LOL_PINn</i> = 0, this pin will tri-state. Active polarity is controlled by the <i>LOL_POLn</i> bit. The PLL lock status will always be reflected in the <i>LOL_INT</i> read only register bit. |
| D1 A6 F9 J4 | CS_CA_A CS_CA_B CS_CA_C CS_CA_D | I | LVC MOS | DSPLLq Input Clock Select/Active Clock Indicator. Input: This pin functions as the input clock selector between CKIN and OSC. 0 = Select CKIN1. 1 = Select OSC (Internal). Must be high or low. Do not float. If a DSPLL is not used, its CS_CA_q pin should be tied high. |
| Note: Internal register names are indicated by italics, e.g., <i>IRQ_PIN</i> . See Si5375 Register Map. | | | | |

Table 9. Si5375 Pin Descriptions (Continued)

| Pin # | Pin Name | I/O | Signal Level | Description |
|--|--|-----|--------------|--|
| G5 | SCL | I | LVCMOS | I²C Serial Clock. This pin functions as the serial clock input. This pin has a weak pull-down. |
| G6 | SDA | I/O | LVCMOS | I²C Serial Data. I ² C pin functions as the bi-directional serial data port. |
| B1 A2 A9 B9 J9 J8 J1 H1 | CKOUT1P_A CKOUT1N_A CKOUT1P_B CKOUT1N_B CKOUT1P_C CKOUT1N_C CKOUT1P_D CKOUT1N_D | O | Multi | Output Clock for DSPLLq. Differential output clock with a frequency range of 0.002 to 808 MHz. Output signal format is selected by <i>SFOUT_REG</i> register bits. Output is differential for LVPECL, LVDS, and CML compatible modes. For CMOS format, both output pins drive in phase single-ended clock outputs at the same frequency. |
| A4, A5 C3, C6 C7, D3 D9, E1 E9, F1 F7, G3 G4, G7 J5, J6 | NC | N/A | N/A | No Connection. Leave floating. Make no external connections to this pin for normal operation. |
| Note: Internal register names are indicated by italics, e.g., <i>IRQ_PIN</i> . See Si5375 Register Map. | | | | |

Si5375

9. Ordering Guide

| Ordering Part Number | Input/Output Clocks | PLL Bandwidth Range | Package | ROHS6 Pb-Free | Temperature Range |
|----------------------|------------------------|---------------------|---------------------|---------------|-------------------|
| Si5375B-A-GL | 4/4 | 60 Hz to 8.4 kHz | 10x10 mm 80-PBGA | Yes | -40 to 85 °C |
| Si5375B-A-BL | 4/4 | 60 Hz to 8.4 kHz | 10x10 mm 80-PBGA | No | -40 to 85 °C |
| Si5375-EVB | Device Development Kit | | | | |

10. Package Outline

Figure 11 illustrates the package details for the Si5375. Table 10 lists the values for the dimensions shown in the illustration.

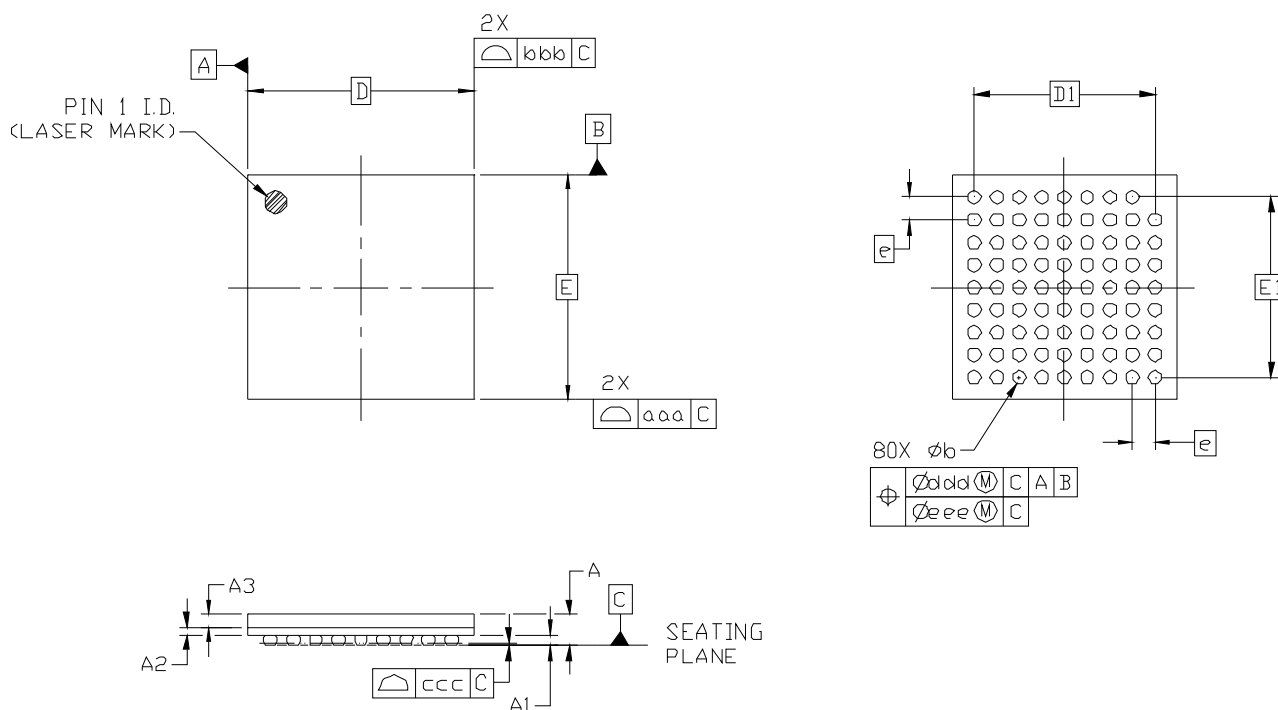


Figure 11. 80-Pin Plastic Ball Grid Array (PBGA)

Table 10. Package Dimensions

| Symbol | Min | Nom | Max | | Min | Nom | Max |
|--------|-----------|------|------|-----|----------|-----|-----|
| A | 1.22 | 1.39 | 1.56 | E1 | 8.00 BSC | | |
| A1 | 0.40 | 0.50 | 0.60 | e | 1.00 BSC | | |
| A2 | 0.32 | 0.36 | 0.40 | aaa | 0.10 | | |
| A3 | 0.46 | 0.53 | 0.60 | bbb | 0.10 | | |
| b | 0.50 | 0.60 | 0.70 | ccc | 0.12 | | |
| D | 10.00 BSC | | | ddd | 0.15 | | |
| E | 10.00 BSC | | | eee | 0.08 | | |
| D1 | 8.00 BSC | | | | | | |

Notes:

1. All dimensions shown are in millimeters (mm) unless otherwise noted.
2. Dimensioning and Tolerancing per ANSI Y14.5M-1994.
3. This drawing conforms to JEDEC outline MO-192.
4. Recommended card reflow profile is per the JEDEC/IPC J-STD-020 specification for Small Body Components.

11. Recommended PCB Layout

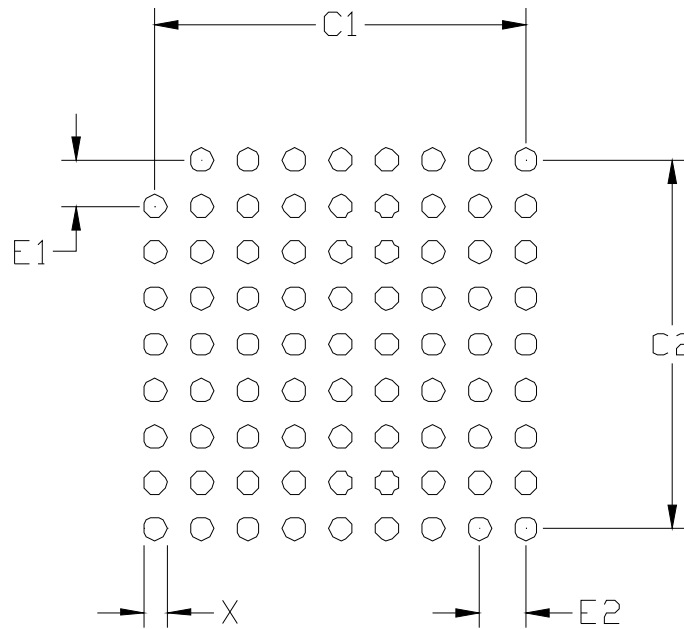


Figure 12. PBGA Card Layout

Table 11. Layout Dimensions

| Symbol | MIN | NOM | MAX |
|--------|------|------|------|
| X | 0.40 | 0.45 | 0.50 |
| C1 | 8.00 | | |
| C2 | 8.00 | | |
| E1 | 1.00 | | |
| E2 | 1.00 | | |

Notes:

General

- All dimensions shown are in millimeters (mm) unless otherwise noted.
- Dimensioning and Tolerancing is per the ANSI Y14.5M-1994 specification.
- This Land Pattern Design is based on the IPC-7351 guidelines.

Solder Mask Design

- All metal pads are to be non-solder mask defined (NSMD). Clearance between the solder mask and the metal pad is to be 60 μm minimum, all the way around the pad.

Stencil Design

- A stainless steel, laser-cut and electro-polished stencil with trapezoidal walls should be used to assure good solder paste release.
- The stencil thickness should be 0.125 mm (5 mils).
- The ratio of stencil aperture to land pad size should be 1:1.

Card Assembly

- A No-Clean, Type-3 solder paste is recommended.
- The recommended card reflow profile is per the JEDEC/IPC J-STD-020 specification for Small Body Components.

12. Top Markings

12.1. Si5375 Top Marking (PBGA, Lead-Free)

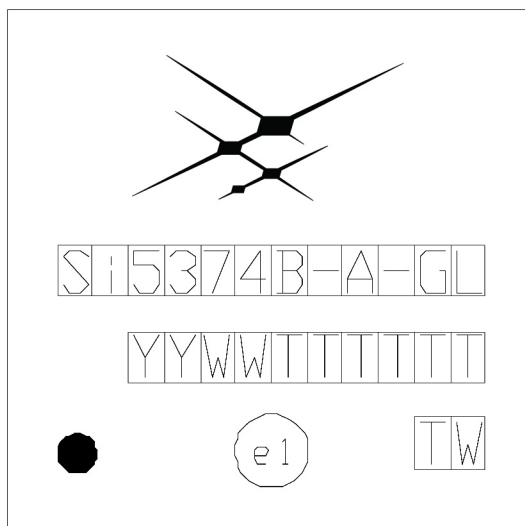


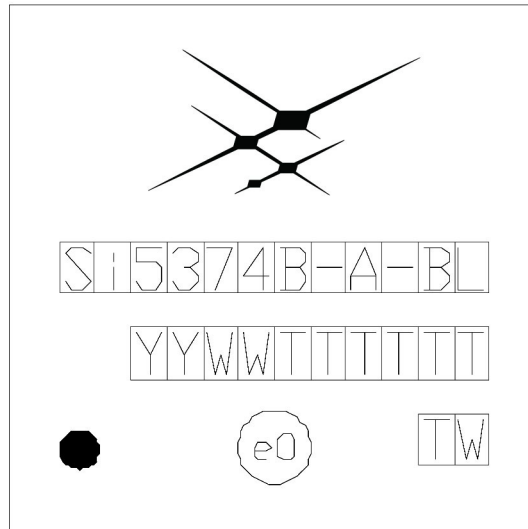
Figure 13. Si5375 Top Marking

12.2. Top Marking Explanation (PBGA, Lead-Free)

| | | |
|------------------------|---|--|
| Mark Method: | Laser | |
| Logo Size: | 6.1 x 2.2 mm Center-Justified | |
| Font Size: | 0.80 mm Right-Justified | |
| Line 1 Marking: | Device Part Number | Si5375B-A-GL |
| Line 2 Marking: | YY = Year WW = Work Week | Assigned by the Assembly House. Corresponds to the year and work week of the mold date. |
| | TTTTTT = Mfg Code | Manufacturing Code from the Assembly Purchase Order form. |
| Line 3 Marking: | Pin 1 Identifier | Circle = 0.75 mm Diameter Lower-Left Justified |
| | “e1” Lead-free Finish Symbol (Pb-free BGA Balls) | Circle = 1.4 mm Diameter Center-Justified |
| | Country of Origin | TW |

Si5375

12.3. Si5375 Top Marking (PBGA, Lead-Finish)



12.4. Top Marking Explanation (PBGA, Lead-Finish)

| | | |
|------------------------|---|--|
| Mark Method: | Laser | |
| Logo Size: | 6.1 x 2.2 mm Center-Justified | |
| Font Size: | 0.80 mm Right-Justified | |
| Line 1 Marking: | Device Part Number | Si5375B-A-BL, Pb finish |
| Line 2 Marking: | YY = Year WW = Work Week | Assigned by the Assembly House. Corresponds to the year and work week of the mold date. |
| | TTTTTT = Mfg Code | Manufacturing Code from the Assembly Purchase Order form. |
| Line 3 Marking: | Pin 1 Identifier | Circle = 0.75 mm Diameter Lower-Left Justified |
| | "e0" Lead Finish Symbol (SnPb BGA Balls) | Circle = 1.4 mm Diameter Center-Justified |
| | Country of Origin | TW |

DOCUMENT CHANGE LIST

Revision 0.16 to Revision 0.2

- Improved the Functional Block Diagram.
- Added specifications for different output formats.
- Added 1.8 V operation.
- Added 40 MHz reference oscillator.
- Corrected Figure 11 title.
- Added comments to BYPASS and SFOUT registers.

Revision 0.2 to Revision 0.3

- Expanded and improved the specification tables.
- Added comments on when a heat sink is required.

Revision 0.3 to Revision 0.4

- Added logo to device top mark

Revision 0.4 to Revision 0.41

- Corrected Register Map numbering.
- Removed Register 185.

Revision 0.41 to Revision 0.45

- Added comments indicating that a crystal may not be used in place of an external oscillator.
- Updated specification Tables 3, 4, and 5.
- Added maximum jitter specifications to Table 5.
- Added Thermal Characteristics table on page 12.
- Added Figure 3, "Typical Application Schematic," on page 13.
- Added "5. Si5375 Application Examples and Suggestions" on page 16.
- Updated "7. Register Descriptions" on page 21.
- Added a part number for the non-RoHS6 device to "9. Ordering Guide" on page 48.
- Added recommendations on the four reset pins in "5.4. RSTL_x Pins" on page 16.
- Added Lead-Finish top marking.

Revision 0.45 to Revision 1.0

- Updated "Features" on page 1.
- Minor corrections to Tables 2, 3, and 5.



SKYWORKS®

ClockBuilder Pro

Customize Skyworks clock generators, jitter attenuators and network synchronizers with a single tool. With CBPro you can control evaluation boards, access documentation, request a custom part number, export for in-system programming and more!

www.skyworksinc.com/CBPro



Portfolio

www.skyworksinc.com/ia/timing



SW/HW

www.skyworksinc.com/CBPro



Quality

www.skyworksinc.com/quality



Support & Resources

www.skyworksinc.com/support

Copyright © 2021 Skyworks Solutions, Inc. All Rights Reserved.

Information in this document is provided in connection with Skyworks Solutions, Inc. ("Skyworks") products or services. These materials, including the information contained herein, are provided by Skyworks as a service to its customers and may be used for informational purposes only by the customer. Skyworks assumes no responsibility for errors or omissions in these materials or the information contained herein. Skyworks may change its documentation, products, services, specifications or product descriptions at any time, without notice. Skyworks makes no commitment to update the materials or information and shall have no responsibility whatsoever for conflicts, incompatibilities, or other difficulties arising from any future changes.

No license, whether express, implied, by estoppel or otherwise, is granted to any intellectual property rights by this document. Skyworks assumes no liability for any materials, products or information provided hereunder, including the sale, distribution, reproduction or use of Skyworks products, information or materials, except as may be provided in Skyworks' Terms and Conditions of Sale.

THE MATERIALS, PRODUCTS AND INFORMATION ARE PROVIDED "AS IS" WITHOUT WARRANTY OF ANY KIND, WHETHER EXPRESS, IMPLIED, STATUTORY, OR OTHERWISE, INCLUDING FITNESS FOR A PARTICULAR PURPOSE OR USE, MERCHANTABILITY, PERFORMANCE, QUALITY OR NON-INFRINGEMENT OF ANY INTELLECTUAL PROPERTY RIGHT; ALL SUCH WARRANTIES ARE HEREBY EXPRESSLY DISCLAIMED. SKYWORKS DOES NOT WARRANT THE ACCURACY OR COMPLETENESS OF THE INFORMATION, TEXT, GRAPHICS OR OTHER ITEMS CONTAINED WITHIN THESE MATERIALS. SKYWORKS SHALL NOT BE LIABLE FOR ANY DAMAGES, INCLUDING BUT NOT LIMITED TO ANY SPECIAL, INDIRECT, INCIDENTAL, STATUTORY, OR CONSEQUENTIAL DAMAGES, INCLUDING WITHOUT LIMITATION, LOST REVENUES OR LOST PROFITS THAT MAY RESULT FROM THE USE OF THE MATERIALS OR INFORMATION, WHETHER OR NOT THE RECIPIENT OF MATERIALS HAS BEEN ADVISED OF THE POSSIBILITY OF SUCH DAMAGE.

Skyworks products are not intended for use in medical, lifesaving or life-sustaining applications, or other equipment in which the failure of the Skyworks products could lead to personal injury, death, physical or environmental damage. Skyworks customers using or selling Skyworks products for use in such applications do so at their own risk and agree to fully indemnify Skyworks for any damages resulting from such improper use or sale.

Customers are responsible for their products and applications using Skyworks products, which may deviate from published specifications as a result of design defects, errors, or operation of products outside of published parameters or design specifications. Customers should include design and operating safeguards to minimize these and other risks. Skyworks assumes no liability for applications assistance, customer product design, or damage to any equipment resulting from the use of Skyworks products outside of Skyworks' published specifications or parameters.

Skyworks, the Skyworks symbol, Sky5®, SkyOne®, SkyBlue™, Skyworks Green™, Clockbuilder®, DSPLL®, ISOModem®, ProSLIC®, and SiPHY® are trademarks or registered trademarks of Skyworks Solutions, Inc. or its subsidiaries in the United States and other countries. Third-party brands and names are for identification purposes only and are the property of their respective owners. Additional information, including relevant terms and conditions, posted at www.skyworksinc.com, are incorporated by reference.

X-ON Electronics

Largest Supplier of Electrical and Electronic Components

Click to view similar products for [Clock Synthesizer/Jitter Cleaner](#) category:

Click to view products by [Silicon Labs](#) manufacturer:

Other Similar products are found below :

[MPC9230EIR2](#) [PL902166USY](#) [954204CGLF](#) [9LPRS485DGLF](#) [PL902167USY](#) [MAXREFDES161#](#) [8V19N490ABDGI](#) [LMK04821NKDT](#)
[CDCE937QPWRQ1](#) [PI6CX201ALE](#) [9LPRS355BGLF](#) [CDCEL913IPWRQ1](#) [ABMJB-903-101UMG-T5](#) [ABMJB-903-150UMG-T5](#) [ABMJB-903-151UMG-T5](#) [AD9542BCPZ](#) [AD9578BCPZ](#) [9FG104EFILF](#) [9FG104EFLF](#) [308RILF](#) [840001BGI-25LF](#) [843004AGLF](#) [843801AGI-24LF](#)
[844004BGI-01LF](#) [844S42BKILF](#) [8A34044C-000NLG](#) [954226AGLF](#) [9FG108EFLF](#) [9LPR363EGLF](#) [9LPRS355BKLF](#) [9LPRS365BGLF](#)
[MK2703BSILF](#) [GS4915-INE3](#) [9DB306BLLF](#) [ABMJB-902-155USY-T5](#) [ABMJB-902-156USY-T5](#) [ABMJB-902-Q76USY-T5](#) [ABMJB-902-Q82USY-T5](#) [ABMJB-902-104USY-T5](#) [ABMJB-902-153USY-T5](#) [ABMJB-902-154USY-T5](#) [ABMJB-902-Q42USY-T5](#) [ABMJB-902-Q57USY-T5](#) [ABMJB-902-Q74USY-T5](#) [ABMJB-902-Q78USY-T5](#) [LTC6951IUHF-1#PBF](#) [650GI-44LF](#) [8430252CGI-45LF](#) [8432DYI-101LF](#)
[84329BYLF](#)