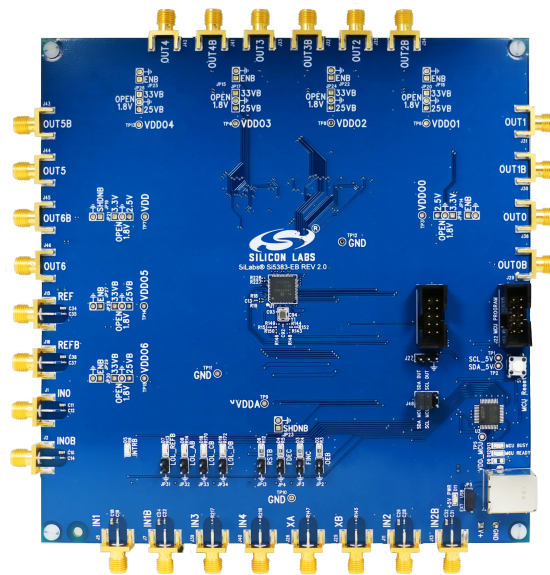


# UG256: Si5383 Evaluation Board User's Guide

The Si5383-EVB is used for evaluating the Si5383 Network Synchronizer Clock for SyncE/1588 and Stratum 3/3E applications. The Si5383 contains three independent DSPLLs in a single IC with programmable jitter attenuation bandwidth on a per DSPLL basis. The Si5383-EVB supports three independent differential input clocks, two independent CMOS input clocks, and seven independent output clocks via onboard SMA connectors. The Si5383-EVB can be controlled and configured via a USB connection to a host PC running Silicon Labs' next generation Clock Builder Pro™ (CBPro™) software tool. Test points are provided on-board for external monitoring of supply voltages.

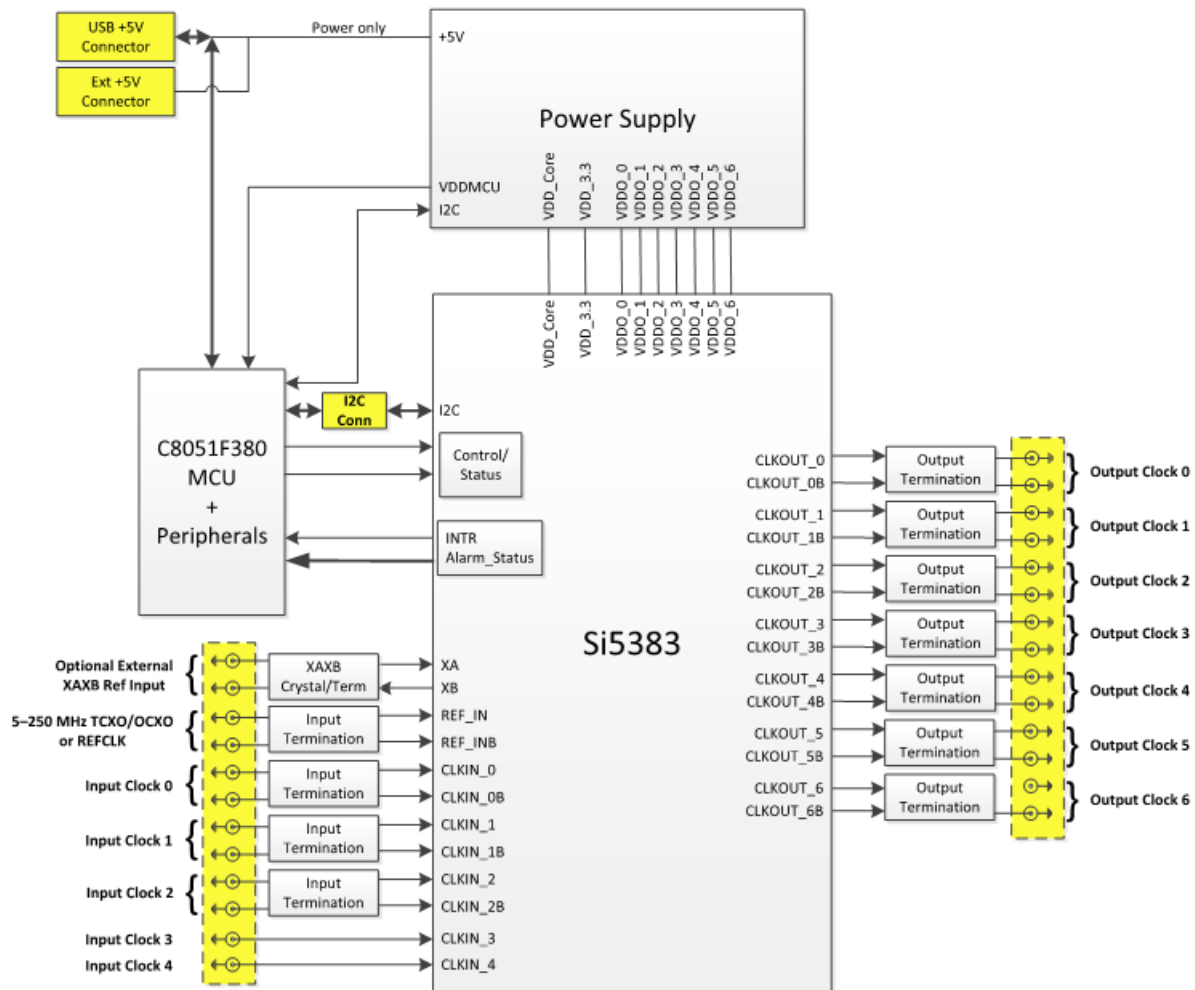
## EVB FEATURES

- Powered from USB port or external +5 V power supply via screw terminals
- Onboard 48 MHz XTAL and included [SiOCXO1-EB reference board](#) allows standalone or holdover mode of operation on the Si5383
- CBPro™ GUI programmable  $V_{DDO}$  supplies allow each of the seven outputs to have its own supply voltage selectable from 3.3, 2.5, or 1.8 V
- CBPro™ GUI allows control and measurement of voltage, current, and power of VDD and all 7 VDDO supplies
- Status LEDs for power supplies and control/status signals of Si5383
- SMA connectors for input clocks, output clocks and optional external timing reference clock



## 1. Si5383-EVB Functional Block Diagram, Support Documentation, and ClockBuilder Pro™ Software

Below is a functional block diagram of the Si5383-EVB. This EVB can be connected to a PC via the main USB connector for programming, control, and monitoring. See 2. Quick Start and Jumper Defaults for more information.



**Figure 1.1. Si5383-EVB Functional Block Diagram**

All Si5383 EVB schematics, BOMs, User's Guides, and software can be found online at the following link: <http://www.silabs.com/products/clocksoscillators/pages/Si538x-4x-evb.aspx>

## 2. Quick Start and Jumper Defaults

1. Install ClockBuilder Pro desktop software from EVB support web page given in Section 1.
2. Connect the USB cable from Si5383-EVB to PC with ClockBuilder Pro software installed.
3. Connect the SIOCXO1-EB to the reference input using the included SMA cable.
4. Leave the jumpers as installed from the factory, and launch the ClockBuilder Pro software.
5. You can use ClockBuilder Pro to create, download, and run a frequency plan on the Si5383-EVB.
6. For the Si5383 data sheet, go to <http://www.silabs.com/timing>

**Table 2.1. Si5383 EVB Jumper Defaults<sup>1</sup>**

Location	Type	I = Installed O = Open		Location	Type	I = Installed O = Open
JP2	2 pin	I		JP21	3 pin	O
JP3	2 pin	I		JP22	2 pin	O
JP4	2 pin	I		JP23	2 pin	O
JP5	3 pin	I		JP24	3 pin	O
JP13	2 pin	O (Jumper supplied)		JP25	2 pin	O
JP14	2 pin	O		JP26	3 pin	O
JP15	2 pin	O		JP27	2 pin	O
JP16	3 pin	O		JP28	3 pin	O
JP17	3 pin	O		JP29	2 pin	O
JP18	2 pin	O		JP31-J34	2 pin	Probe Points
JP19	2 pin	O		J48	3x2 Hdr	3 installed
JP20	3 pin	O		J22	5x2 Hdr	O

**Note:**

1. Refer to the Si5383 EVB schematics for the functionality associated with each jumper.
2. J31-J34 are intended to be probe points and jumpers should not be installed.

### 3. Status LEDs

Table 3.1. Si5383 EVB Status LEDs

Location	Silkscreen	Color	Status Function Indication
D11	+5V PWR, EXT USB	Green	Main USB +5V present
D12	READY	Green	MCU Ready
D13	BUSY	Green	MCU Busy
D5	INTRB	Blue	Si5383 Interrupt Active
D7	LOL_REFB	Blue	Loss of Reference Lock
D8	LOL_AB	Blue	Loss of Lock, DSPLL A
D18	LOL_DC	Blue	Loss of Lock, DSPLL C
D19	LOL_DB	Blue	Loss of Lock, DSPLL D

D11 is illuminated when the USB+5V supply voltage is present. D12 and D13 are illuminated when the MCU is either Ready or Busy, respectively. D5 is illuminated when the Si5383's interrupt alarm is asserted. D7, D8, D18, and D19 are illuminated when the associated PLL is not locked, D7 is the Reference PLL, D8 is for PLLA, D18 is for PLLC, and D19 is for PLLD.

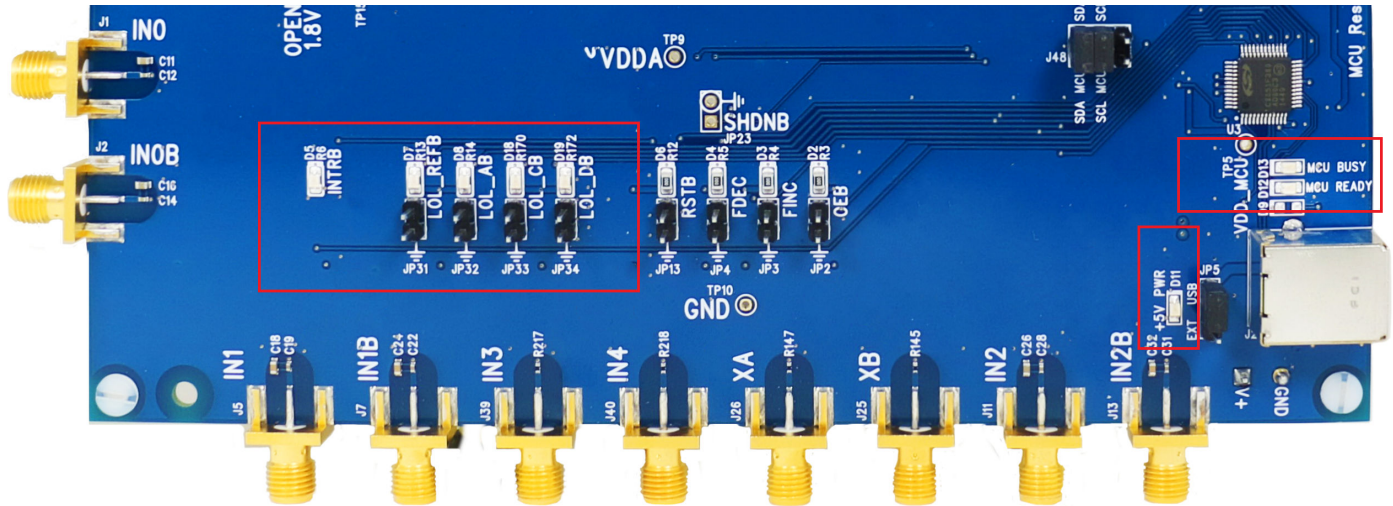


Figure 3.1. Si5383-EVB LED Locations

## 4. External Crystal Oscillator Input (XA/XB)

An on board 48 MHz XTAL is used in combination with the internal oscillator to produce an ultra-low jitter reference clock for the DSPLL. The Si5383-EVB can also accommodate an external reference clock, such as a crystal oscillator, instead of a crystal. To evaluate the device with an external crystal oscillator, C93 and C94 must be populated and XTAL Y1 removed (see figure below). A crystal oscillator's output can then be applied to SMA connectors J26 and J25. The figure below is used for a differential input such as LVPECL, LVDS, etc. See the Si5383 data sheet for more details on connecting a single ended versus differential input clock.

**Note:** Using an external crystal oscillator can result in reduced phase jitter performance and is not recommended for this reason.

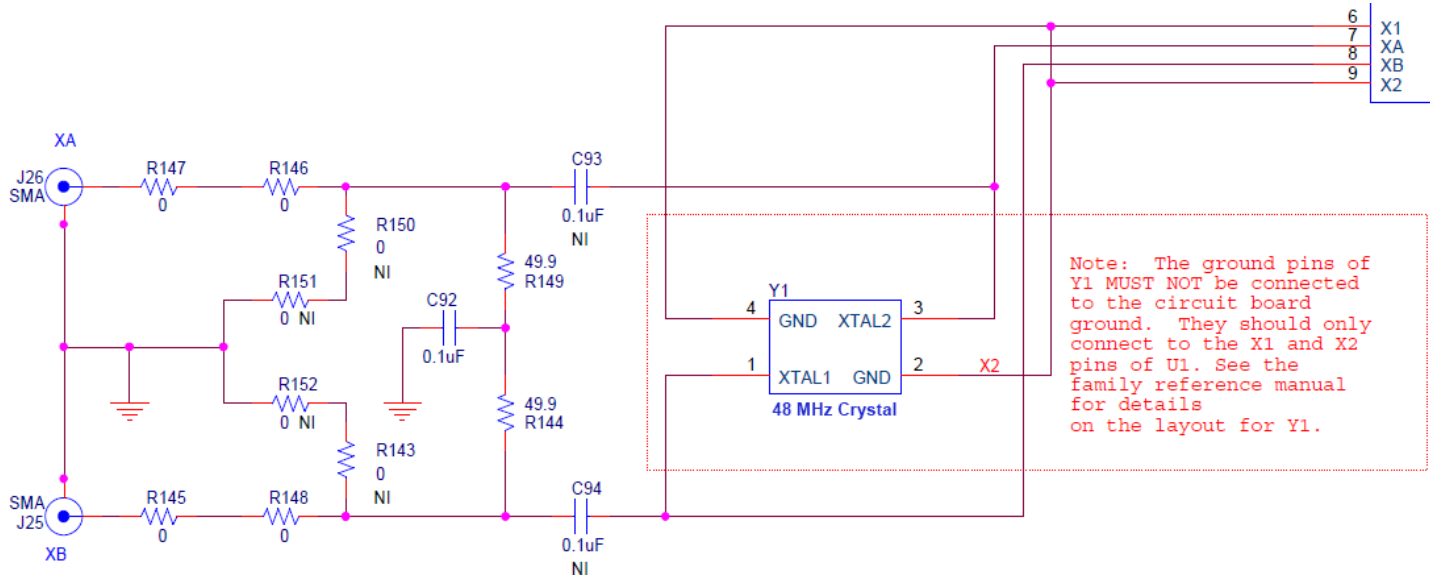


Figure 4.1. XAXB Input Terminations

## 5. Clock Input and Output Circuits

### 5. Clock and Reference Input Circuits (IN0/IN0B-IN2/IN2B, IN3, IN4 and REF/REFB)

The Si5383-EVB has eight SMA connectors (REF/REFB, IN0/IN0B-IN2/IN2B) for receiving external differential signals. IN0/IN0B, IN1/IN1B and IN2/IN2B are differential clock inputs, which single ended clocks may also be applied.

The REF/REFB differential input clock is intended to support a TCXO or OCXO, such as the included SiOCXO1-EB, which determines the Si5383's wander and holdover over performance. (Please note that this input clock is different from the optional reference clock that may be applied at XA/XB.)

All differential inputs are terminated as shown in the figure below. The only exception is that the terminating 49.9Ω resistor for REF is not installed. This is labelled R40 on the EB in the figure below. The reason for this exception is that single-ended TCXOs and OCXOs typically cannot drive a 50 Ω load. Note that input clocks are ac-coupled and 50 Ω terminated. Single-ended clocks can be used by appropriately driving one side of the differential pair with the single-ended clock. For details on how to configure inputs as single-ended, please refer to the Si5383 data sheet.

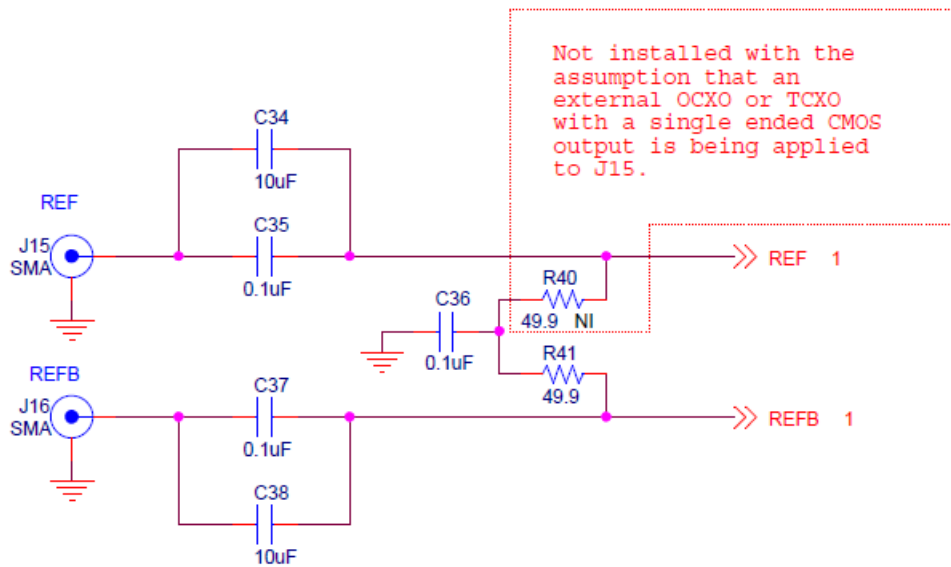
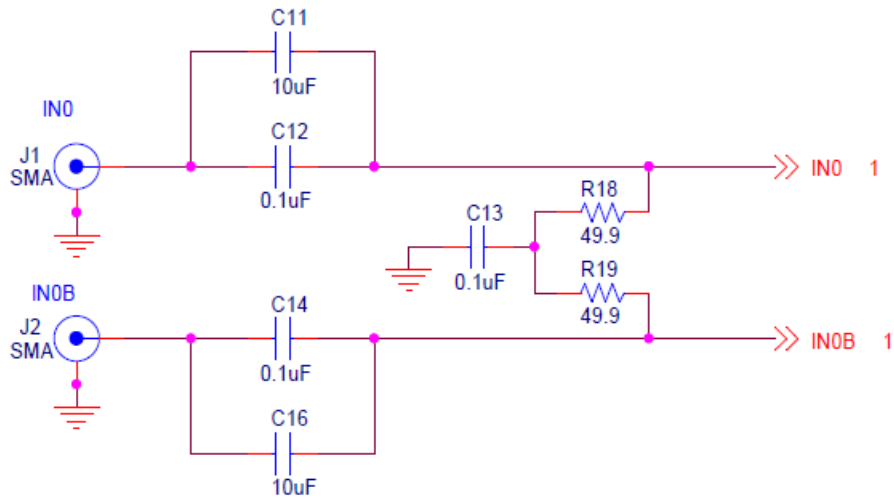
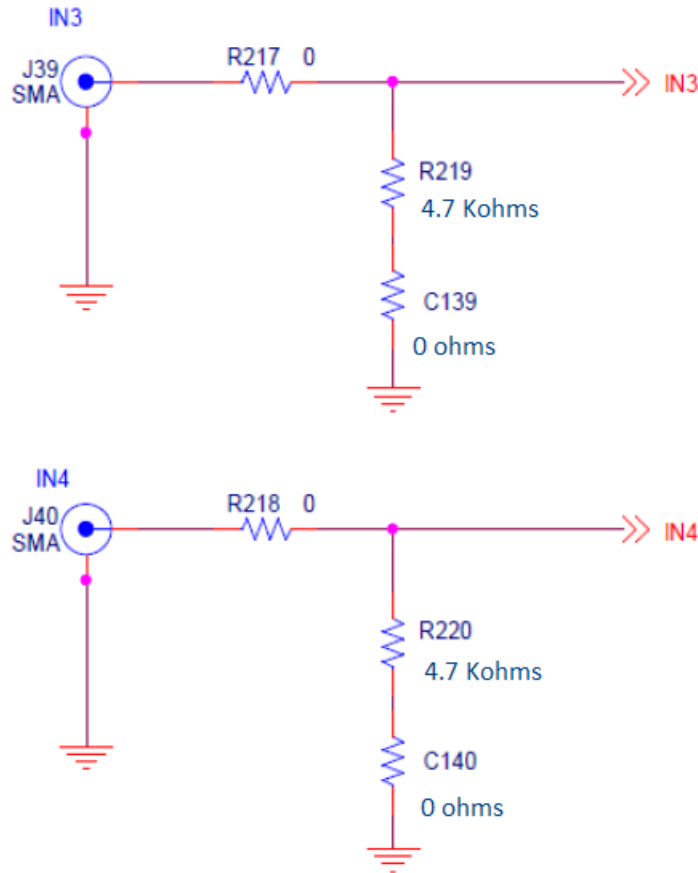


Figure 5.1. REF/REFB Input Terminations



**Figure 5.2. Differential Clock Input Terminations**

In addition, the Si5383-EVB supports two SMA connectors (IN3, IN4) for receiving external single-ended LVCMOS clocks, such as PPS inputs. Each of these clocks connects to its respective Si5383 pins via a single installed 0 Ω resistor with a 4.7 K Ω pull down resistor. Alternatively, R217, R218, R219, R220, C139, and C140 can be modified such as to attenuate a 5V swing.



**Figure 5.3. IN3 and IN4, CMOS Input Terminations**

### 5.1 Clock Output Circuits (OUTx/OUTxB)

Twelve output drivers, six differential pairs (OUT0/OUT0B - OUT4/OUT4B and OUT6/OUT6B), are AC coupled to their respective SMA connectors and two output drivers are optimized for a 1 Hz/CMOS output, which is OUT5/OUT5B. If dc coupling is required, the ac coupling capacitors can be replaced with a resistor of appropriate value. The Si5383-EVB provides pads for optional output termination resistors and/or low frequency capacitors. Note that components with a schematic "NI" designation is "not installed" and are normally not populated on the Si5383-EVB and provide locations on the PCB for optional dc/ac terminations by the end user.

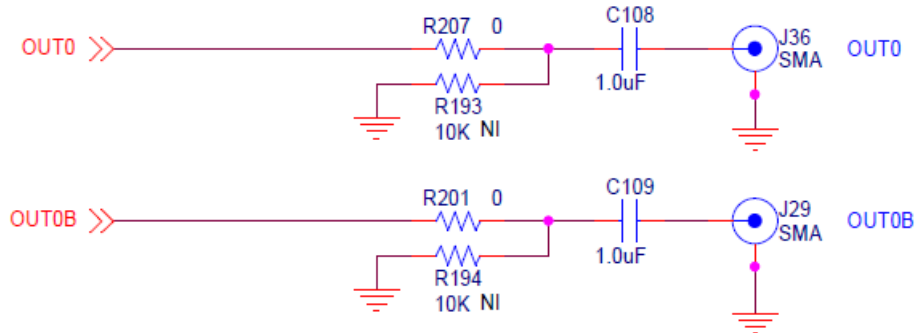


Figure 5.4. Output Clock Termination Circuit

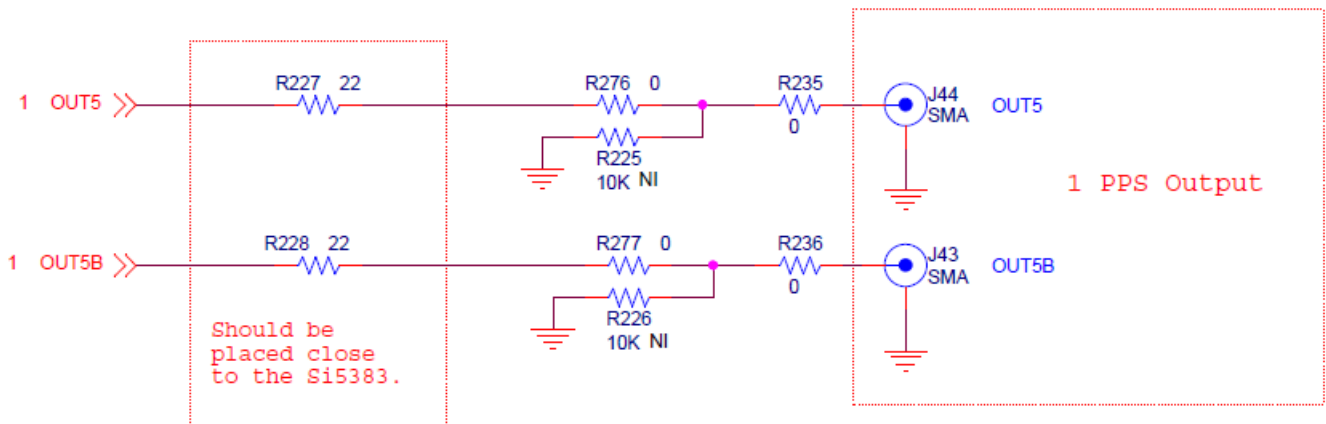


Figure 5.5. OUT5 Termination Circuit



## 6. Using the Si5383 EVB and Installing ClockBuilder Pro (CB Pro) Desktop Software

### 6.1 Installing ClockBuilder Pro (CB Pro) Desktop Software

To install the CB Pro software on any Windows 7 (or above) PC:

Go to <http://www.silabs.com/CBPro> and download ClockBuilder Pro software.

Installation instructions and the user's guide for ClockBuilder can be found at the download link shown above. Please follow the instructions as indicated.

Note: ClockBuilder Pro software may periodically be updated and it's recommended to allow these updates as requested. Additional tools and features, as well as frequency plan optimization can be included in updates.

### 6.2 Connecting the EVB to Your Host PC

Once ClockBuilder Pro software is installed, connect to the EVB with a USB cable as shown below.

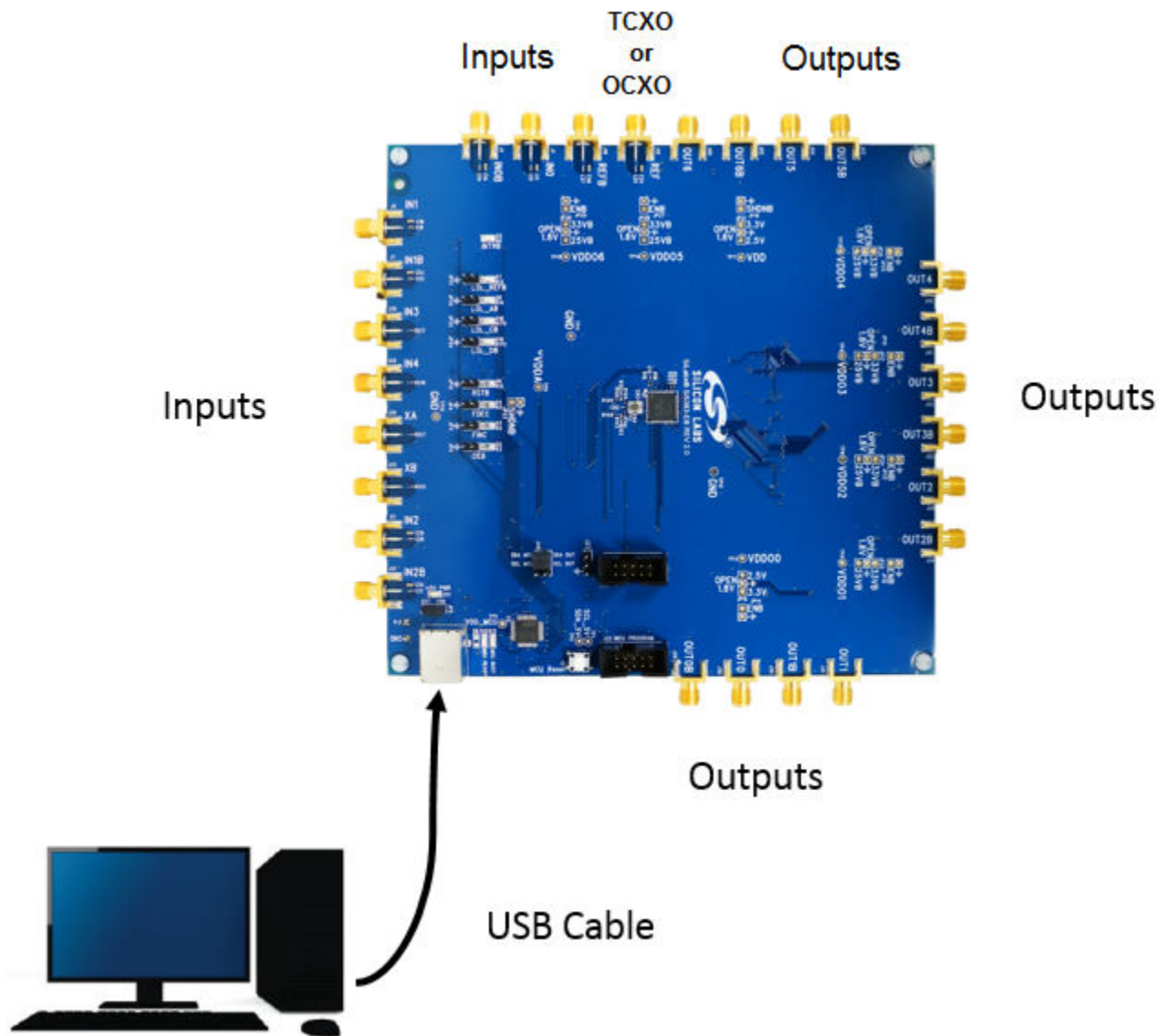


Figure 6.1. EVB Connection Diagram

### 6.3 Additional Power Supplies

The Si5383-EVB comes preconfigured with jumpers installed at JP5 in order to select the "USB" power. These jumpers, together with the components installed, configure the evaluation board to obtain all +5 V power solely through the main USB connector at J20. This setup is the default configuration and should normally be sufficient.

The general guidelines for USB power supply operation are listed below:

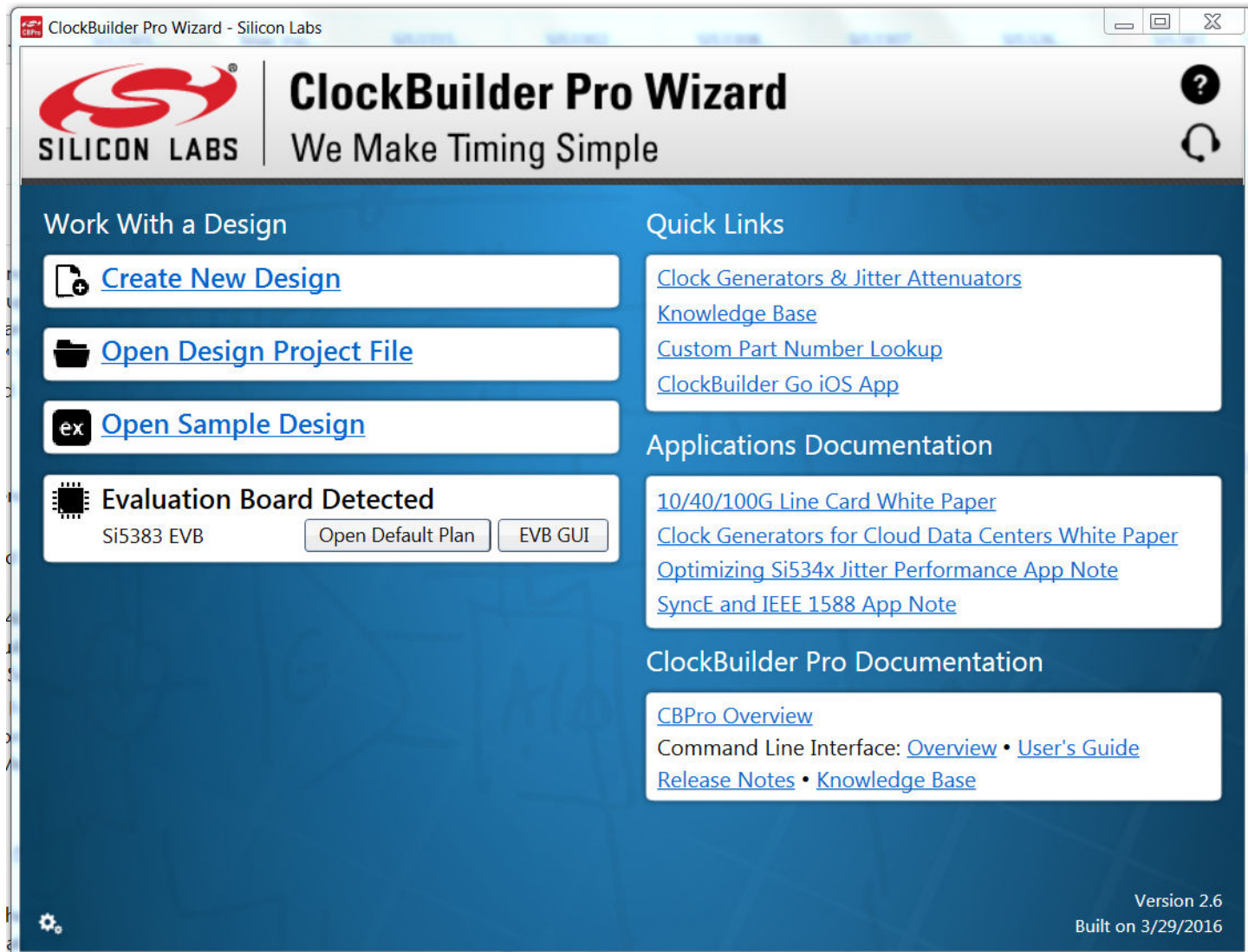
- Use either USB 4.0, USB 3.0 or USB 2.0 port. USB 3.0 is specified to supply 900 mA and USB 4.0 and 2.0 is 500 mA, at +5V.
- If you are working with a USB 4.0 or USB 2.0 port and you are current limited, turn off enough DUT output voltage regulators to drop the total DUT current  $\leq 470$  mA. (Note: USB 2.0 ports may supply  $>500$  mA. Provided the nominal + 5V drops gracefully by less than 10%, the EVB will still work.)
- If you are working with a USB 4.0 or USB 2.0 and you are current limited and need all output clock drivers enabled, reconfigure the EVB to drive the DUT output voltage regulators from an external +5 power supply as follows:
  - Connect external +5 V power supply to terminal block J20 on the back side of the PCB.
  - Move the jumper at JP5 from pins 1-2 USB to pins 2-3 EXT.

### 6.4 Inputs

A TCXO, OCXO, or frequency generator supplying 12.800 MHz (or other desired frequency) is applied to the Reference Input. Clock signal(s) are applied to the inputs and the frequency is determined when configuring using CBPro. In most cases, a 1 PPS signal is applied to IN3 and/or IN4 and should be a 3.3V CMOS signal swing. IN0, IN1, and IN2 are configured for differential inputs. See [Figure 5.2 Differential Clock Input Terminations on page 7](#)

## 6.5 Overview of ClockBuilder Pro Applications

The ClockBuilder Pro installer will install two main applications, ClockBuilder Pro Wizard and CB Pro EVB GUI:



**Figure 6.2. ClockBuilder Pro Wizard**

Use the CB Pro Wizard to:

- Create a new design
- Review or edit an existing design
- Create multiple designs, tools are included to merge plans and minimize register writes required to update
- Export: create in-system programming files
- Calculate rational fractions, using tools
- Optimize frequency output configuration
- Optimize loop filter and alarms to the application

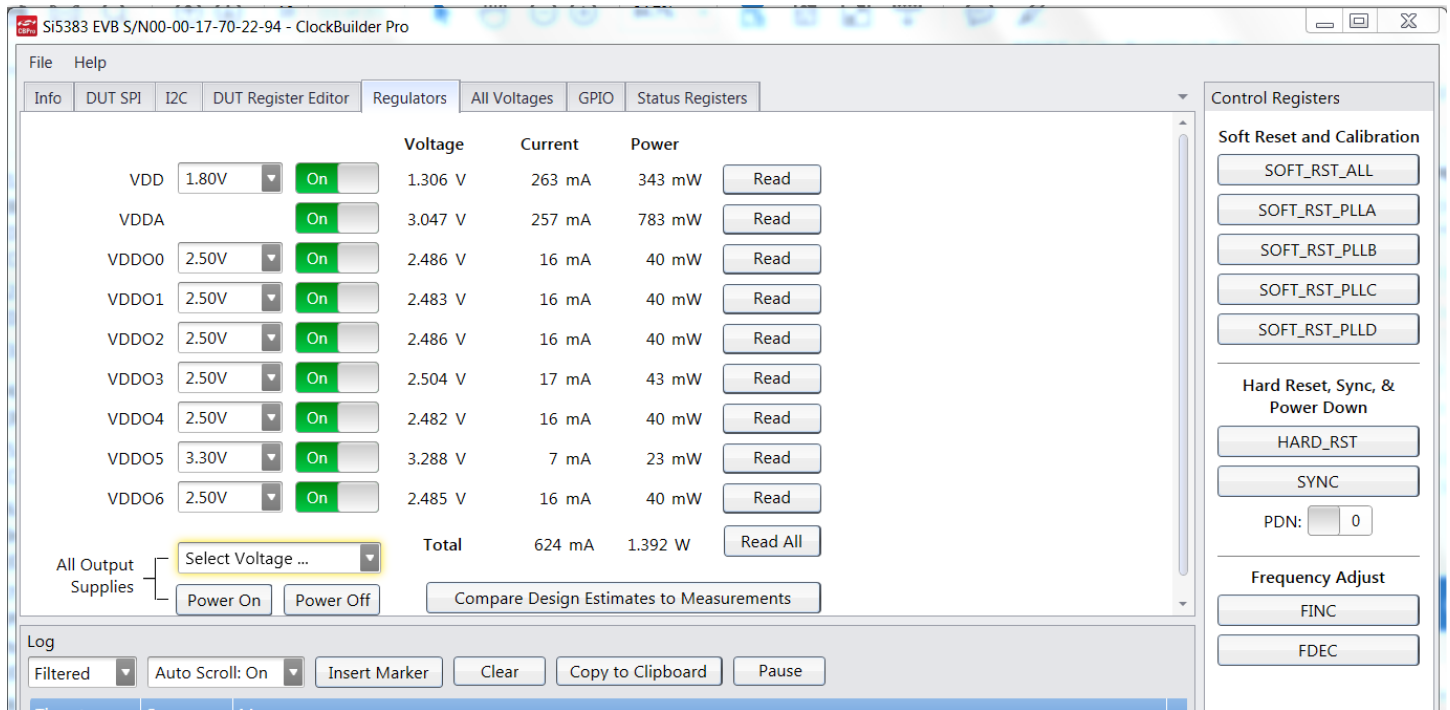


Figure 6.3. EVB GUI

Use the EVB GUI to:

- Download configuration to EVB's DUT (Si5383) by selecting file
- Control the EVB's regulators
- Monitor voltage, current, and power on the EVB using the "All Voltages" tab
- Read alarms such as verifying a locked condition, loss of input signal ,etc using the "Status Registers" tab
- Update individual registers using the "DUT Register Editor"

### 6.6 Common ClockBuilder Pro Work Flow Scenarios

There are three common workflow scenarios when using CB Pro and the Si5383 EVB. These workflow scenarios are:

- Workflow Scenario #1: Testing a Silicon Labs-Created Default Configuration
- Workflow Scenario #2: Modifying the Default Silicon Labs-Created Device Configuration
- Workflow Scenario #3: Creating a User-Generated Device Configuration
- Workflow Scenario #4: Testing a User-Created Device Configuration

Each is described in more detail in the following sections.

### 6.7 Workflow Scenario #1: Testing a Silicon Labs-Created Default Configuration

The flow for using the EVB GUI to initialize and control a device on the EVB is as follows.

Once the PC and EVB are connected, launch ClockBuilder Pro by clicking on this icon on your PC's desktop.



Figure 6.4. ClockBuilder Pro Desktop Icon

If an EVB is detected, click on the "Open Default Plan" button on the Wizard's main menu. CB Pro automatically detects the EVB and device type.

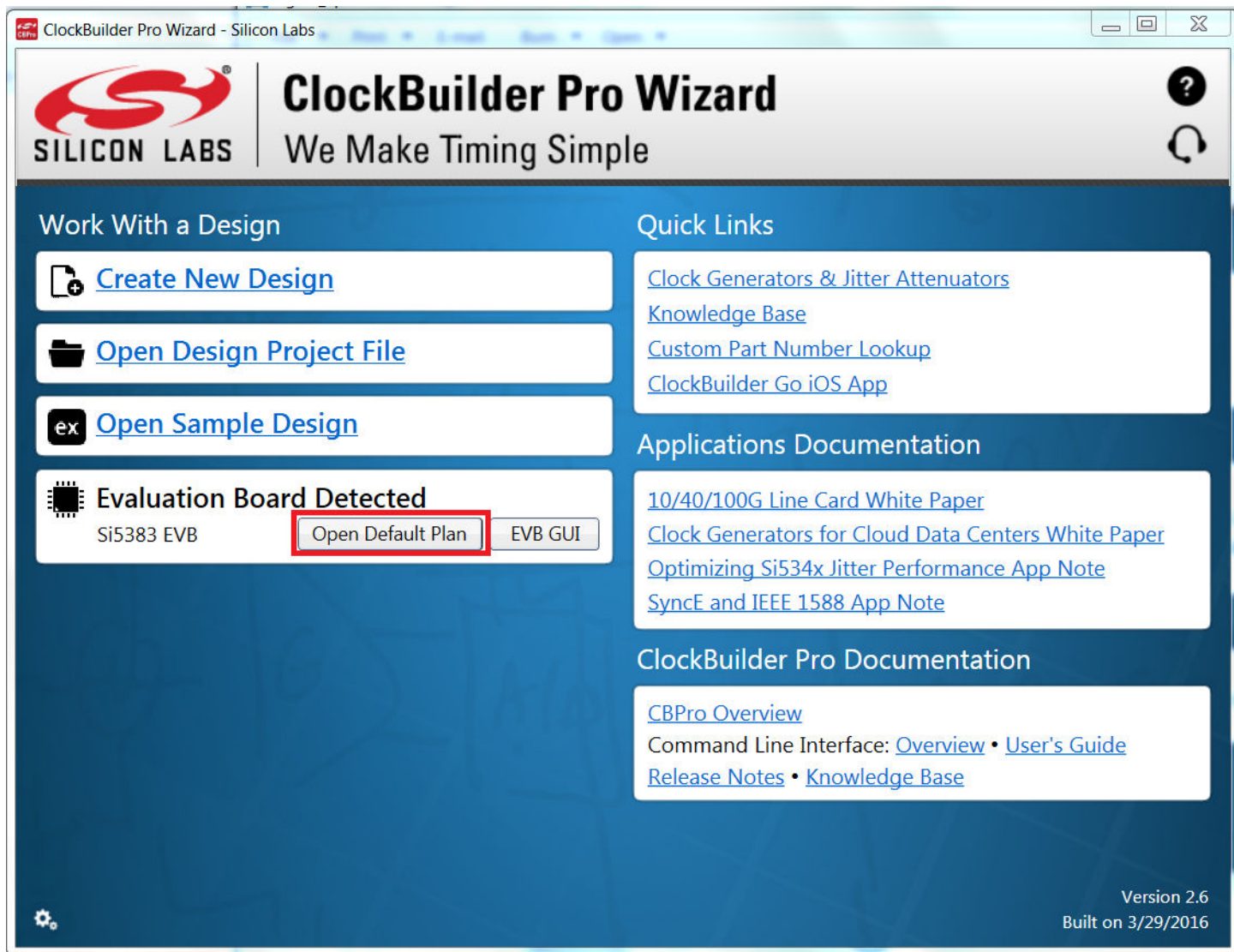


Figure 6.5. Open Default Plan

Once you open the default plan (based on your EVB model number), a popup will appear.

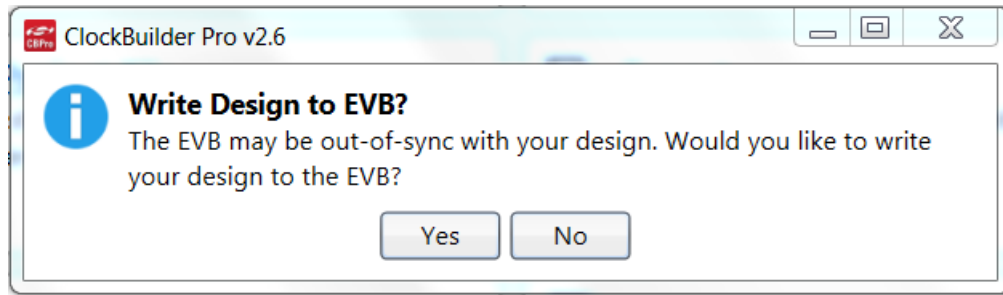


Figure 6.6. Write Design to EVB Dialog

Select "Yes" to write the default plan to the Si5383 device mounted on your EVB. This ensures the device is completely reconfigured per the Silicon Labs default plan for the DUT type mounted on the EVB.

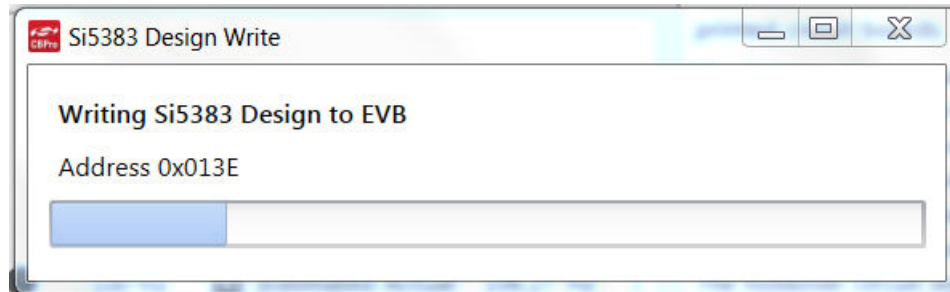


Figure 6.7. Writing Design Status

After CBPro writes the default plan to the EVB, click on "Open EVB GUI" as shown below.

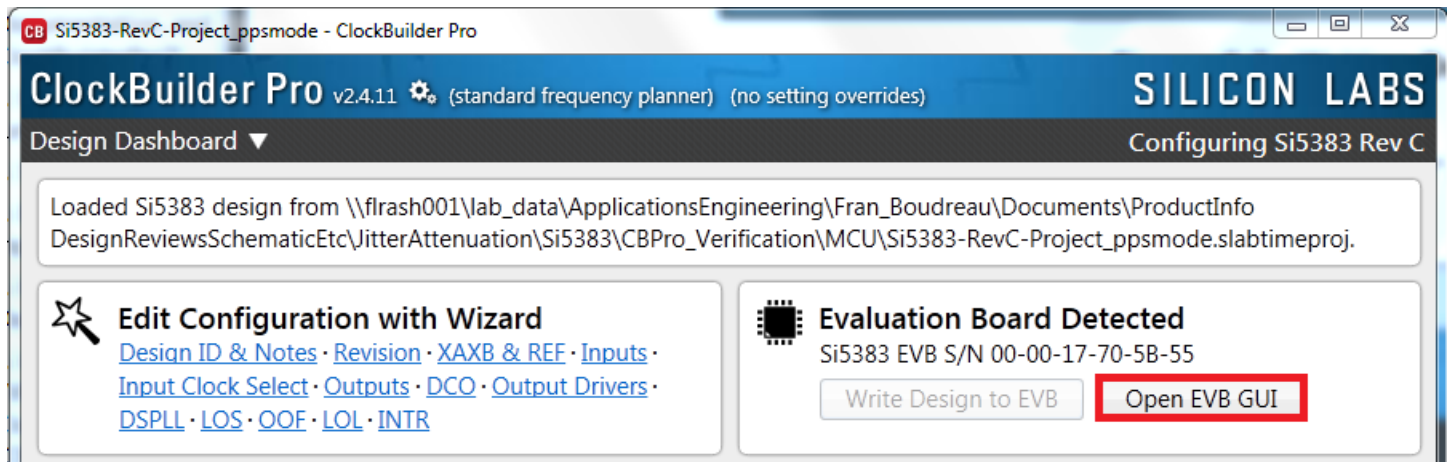


Figure 6.8. Open EVB GUI

The EVB GUI will appear. Note all power supplies will be set to the nominal values defined in the device's default CB Pro project file created by Silicon Labs, as shown in the example session window below.

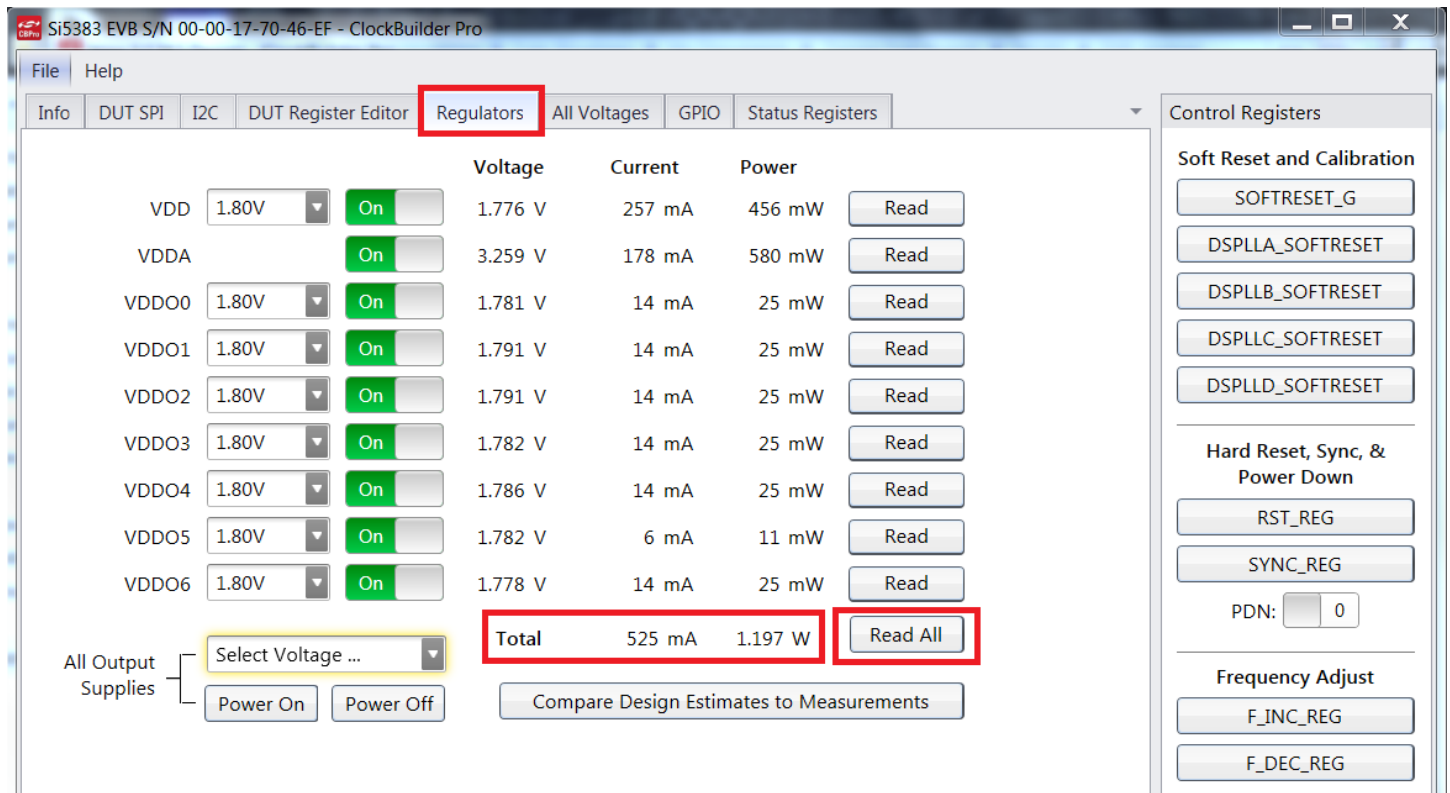


Figure 6.9. EVB GUI Window

### 6.7.1 Verify Free-Run Mode Operation

Assuming an OCXO or TCXO output has been applied to the REF/REFb input(s) and no external clocks have been connected to the INPUT CLOCK differential SMA connectors (labeled "INx/INxB"), located around the perimeter of the EVB, the DUT should now be operating in free-run mode. The DUT will be locked to the OCXO/TCXO in this case.

You can run a quick check to determine if the device is powered up and generating output clocks (and consuming power) by clicking on the Read All button highlighted above and then reviewing the voltage, current and power readings for each VDDx supply.

**Note:** Shutting the VDD and VDDA supplies Off and then On will power-down and reset the DUT. Every time you do this, to reload the Silicon Labs-created default plan into the DUT's register space, you must go back to the Wizard's main menu and select "Write Design to EVB":

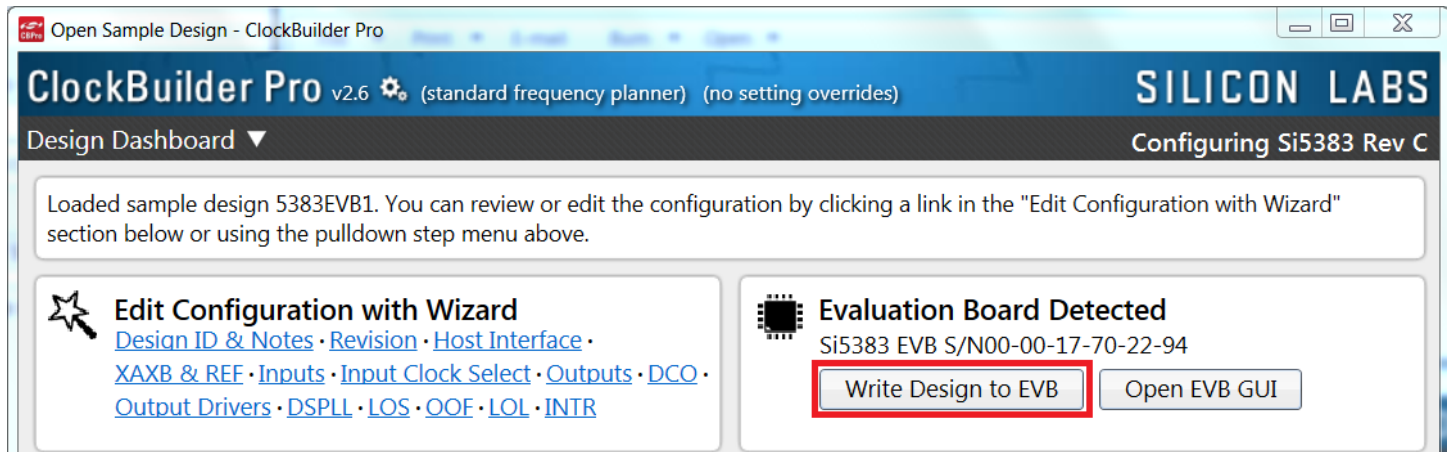


Figure 6.10. Write Design to EVB

**Failure to do the step above will cause the device to read in a preprogrammed plan from its non-volatile memory (NVM). However, the plan loaded from the NVM may not be the latest plan recommended by Silicon Labs for evaluation.**

At this point, you should verify the presence and frequencies of the output clocks (running to free-run modes from the crystal) using appropriate external instrumentation connected to the output clock SMA connectors. To verify the output clocks are toggling at the correct frequency and signal format, click on View Design Report as highlighted below.



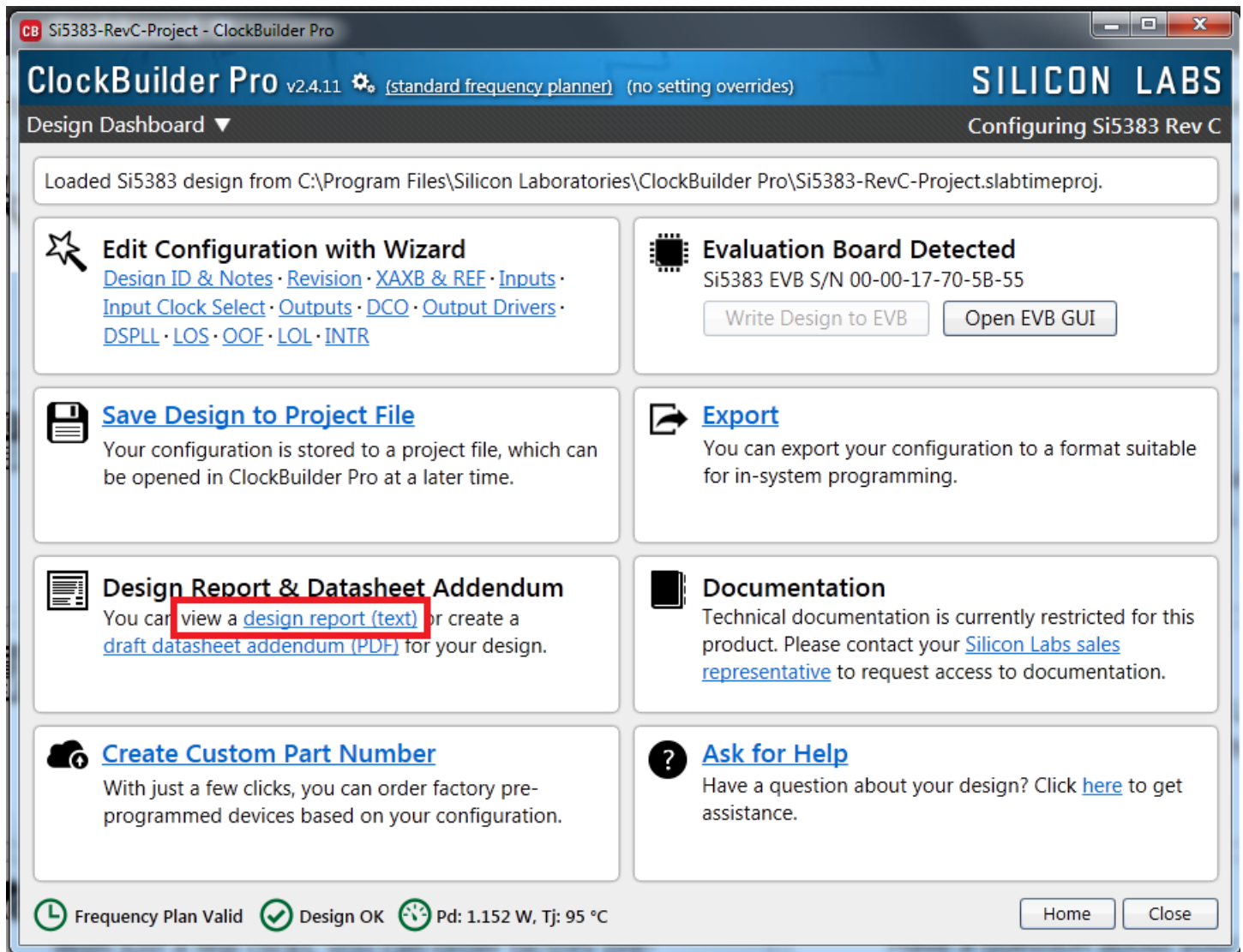


Figure 6.11. View Design Report

Your configuration's design report will appear in a new window, as shown below. Compare the observed output clocks to the frequencies and formats noted in your default project's Design Report.

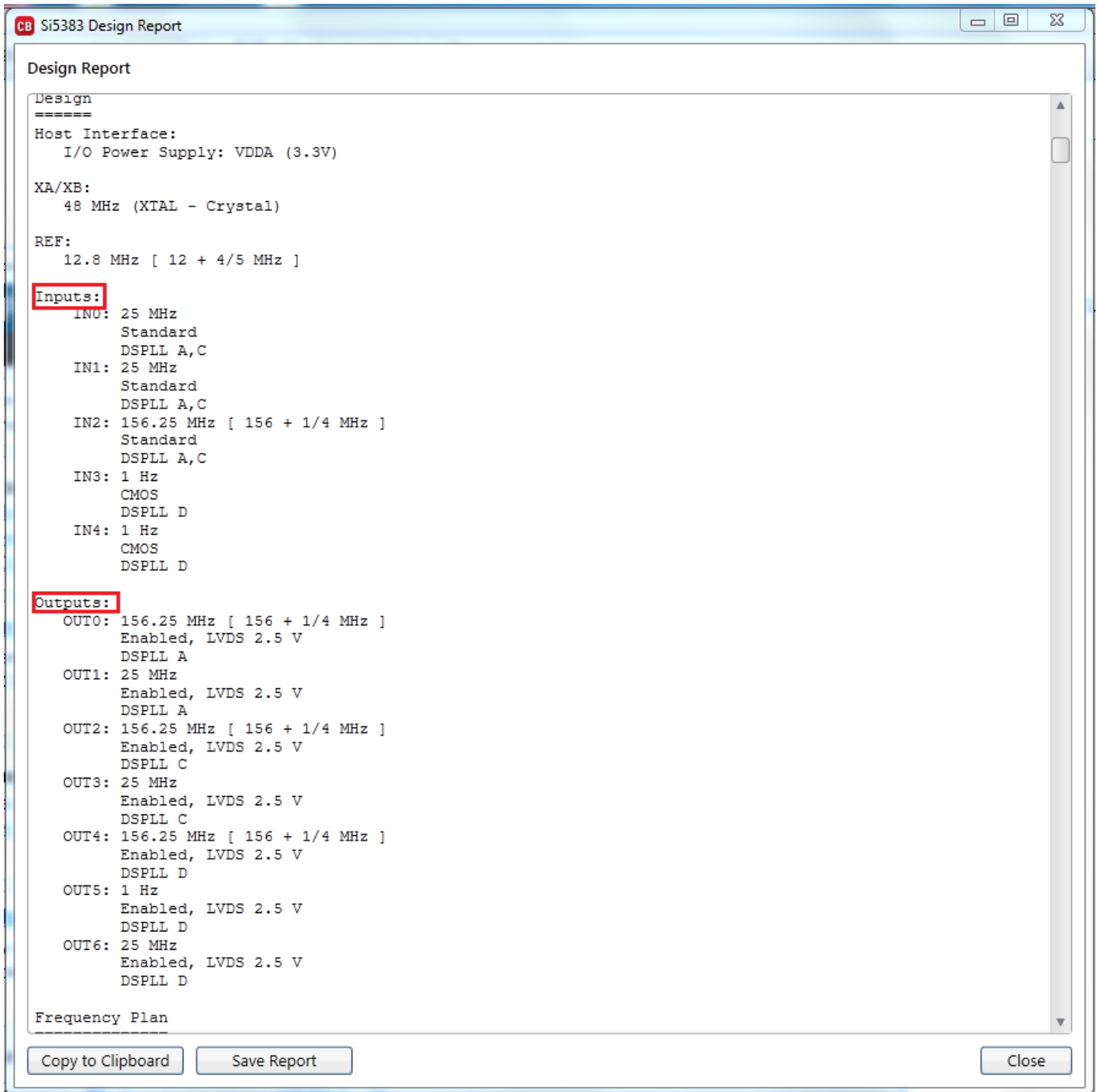


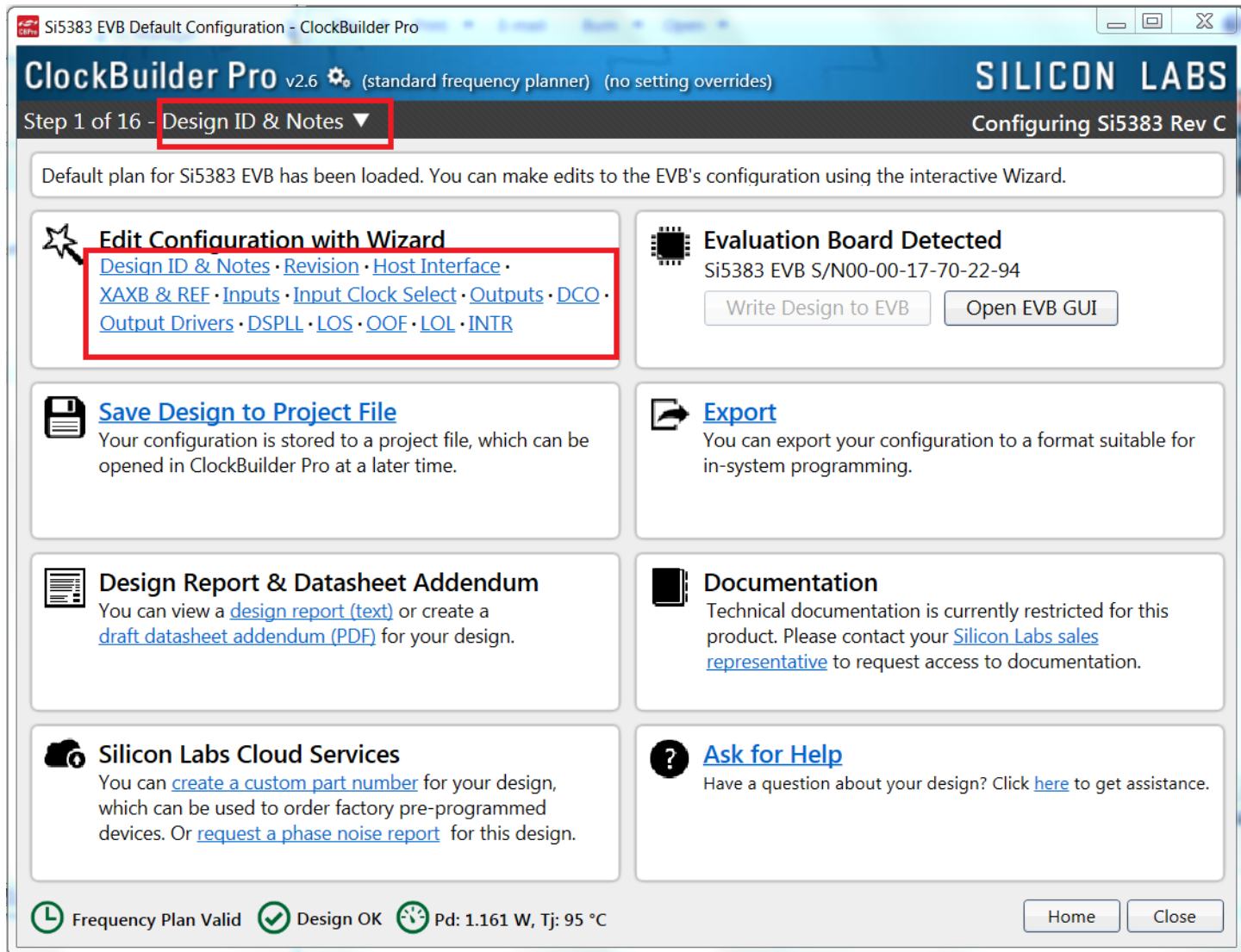
Figure 6.12. Design Report Window

### 6.7.2 Verify Locked Mode Operation

Assuming you connect the correct input clocks to the EVB (as noted in the Design Report shown above), the DUT on your EVB will be running in "locked" mode. LED's D7, D8, D18 and D19 will be off when the associated PLL is locked. The EVB GUI "Status Register" page can be selected to also check locked status as well as other alarms.

### 6.8 Workflow Scenario #2: Modifying the Default Silicon Labs-Created Device Configuration

To modify the "default" configuration using the CB Pro Wizard, click on any of the underlined fields below the header "Edit Configuration with Wizard". You can also pull down on the "Design ID & Notes" menu and select a design step.



**Figure 6.13. Edit Configuration with Wizard**

You will now be taken to the Wizard's step-by-step menus to allow you to change any of the default plan's operating configurations. Note, any changes made to any of these menu's will require that a "Write to EVB" be selected.

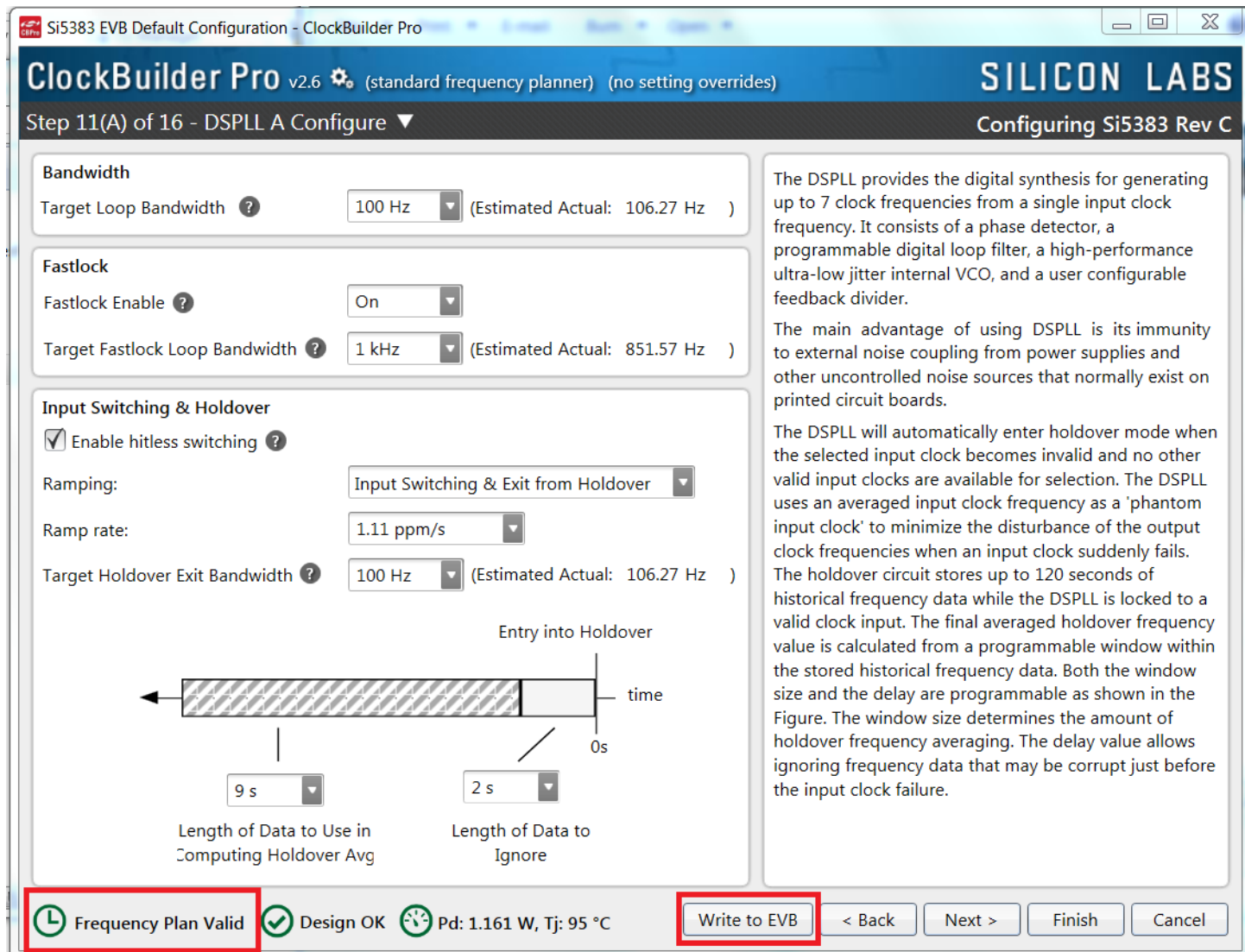


Figure 6.14. Design ID and Notes

Note you can view the icon on the lower left hand corner of the menu to confirm if your frequency plan is valid. This example shows modifications made to the loop BW, ramp rate and entry into holdover values which can be tailored to the application. After making your desired changes, you can click on "Write to EVB" to update the DUT to reconfigure your device in real time. The Design Write status window will appear each time you make a change.

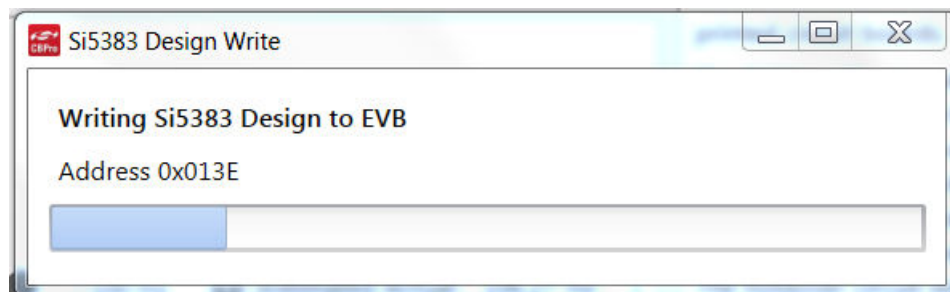
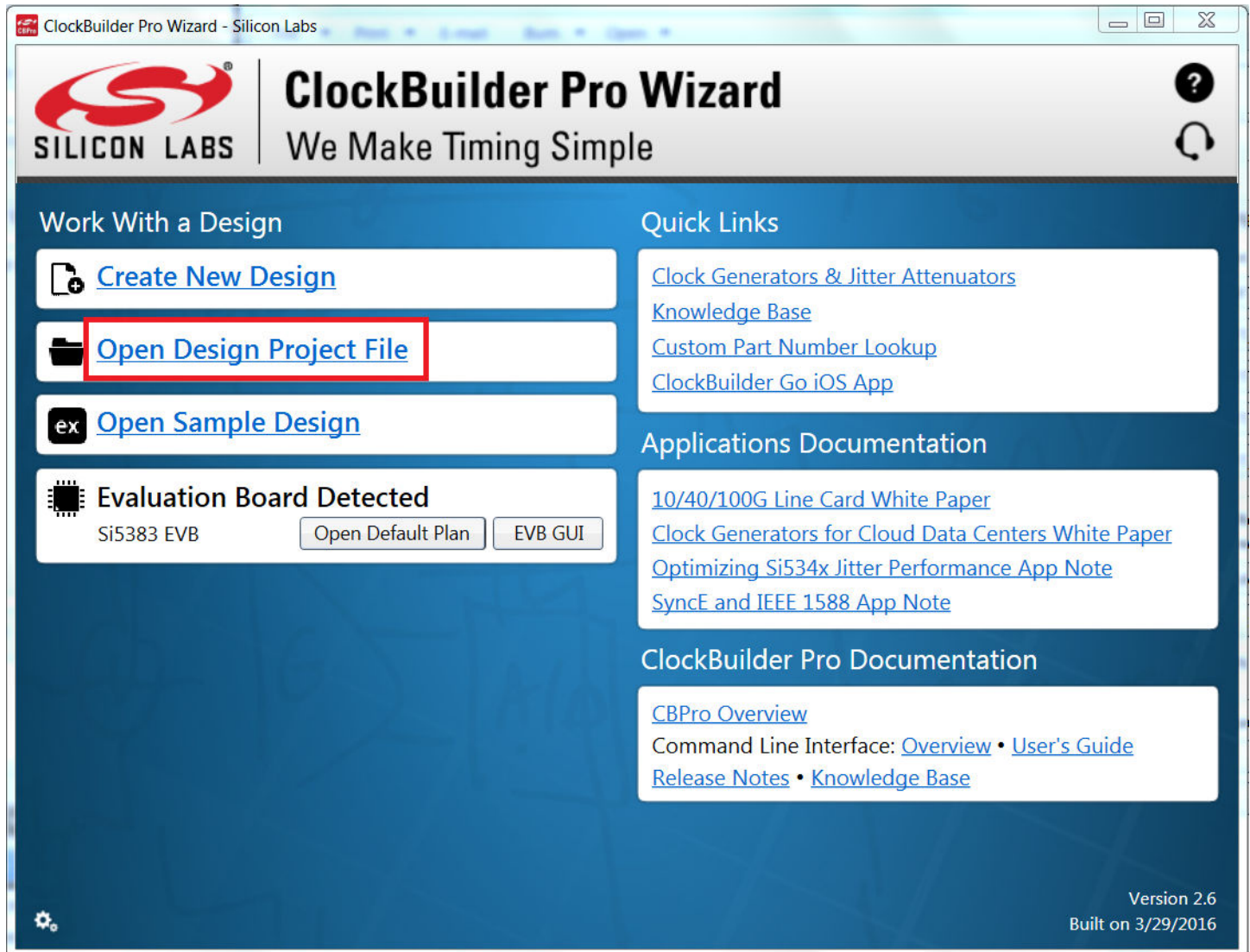


Figure 6.15. Si5383 Design Write

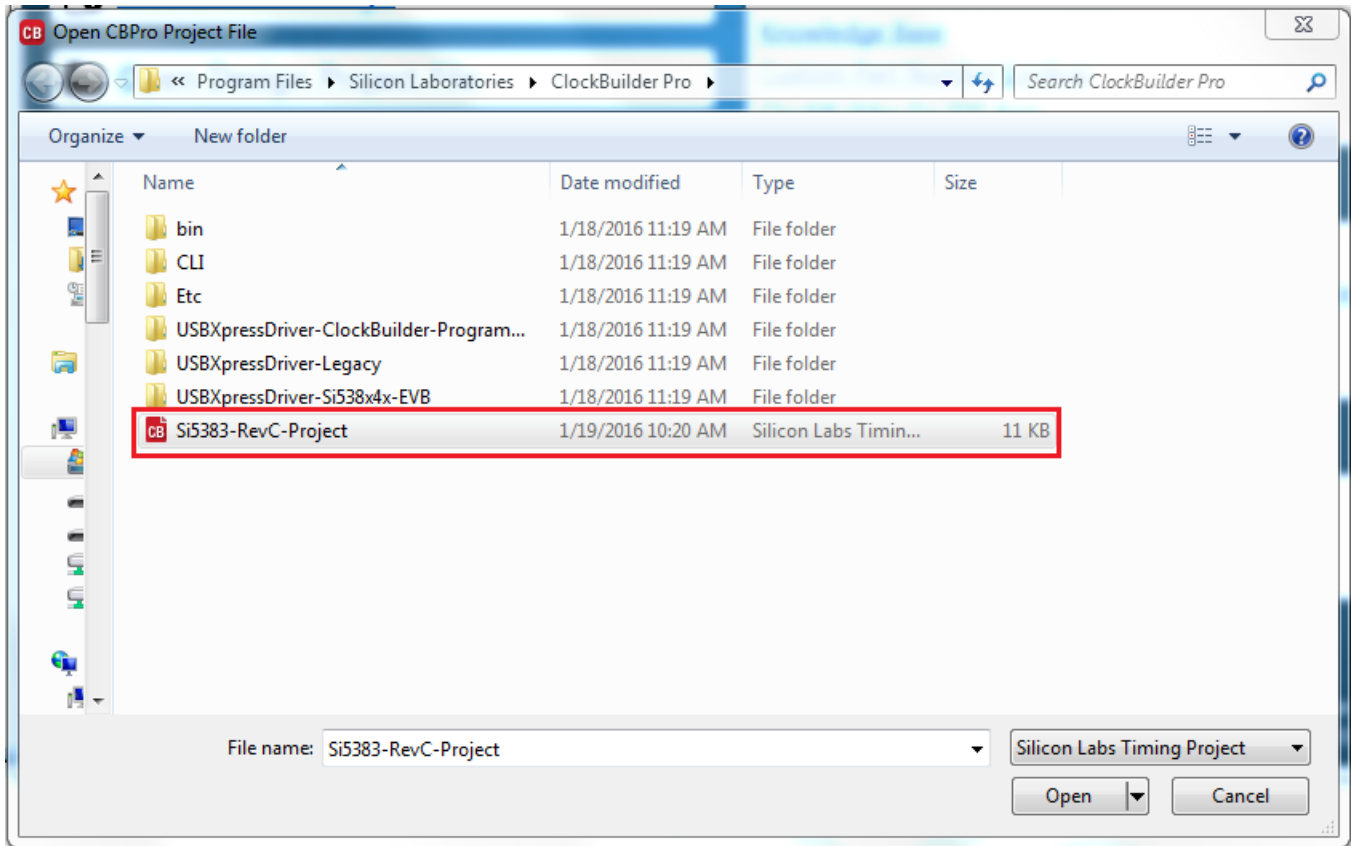
## 6.9 Workflow Scenario #3: Testing a User-Created Device Configuration

To test a previously created user configuration, open the CB Pro Wizard by clicking on the icon on your desktop and then selecting "Open Design Project File".



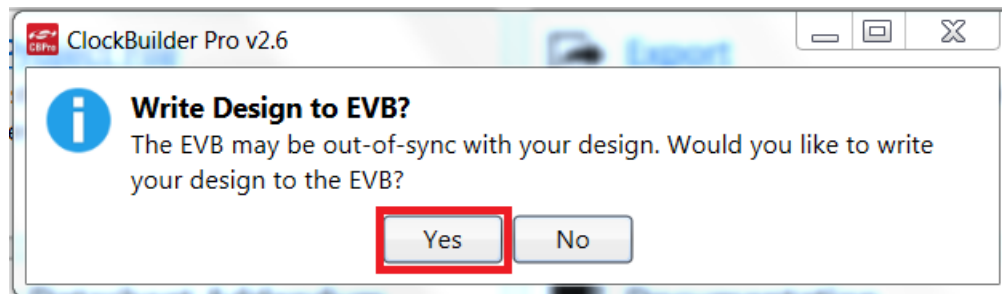
**Figure 6.16. Open Design Project File**

Locate your CB Pro design file (\*.slabtimeproj or \*.sitproj file) in the Windows file browser.



**Figure 6.17. Browse to Project File**

Select "Open" to load the selected file and then "Yes" when the WRITE DESIGN to EVB popup appears:



**Figure 6.18. Write Design to EVB Dialog**

The progress bar will be launched. Once the new design project file has been written to the device, verify the presence and frequencies of your output clocks and other operating configurations using external instrumentation.

## 6.10 Exporting the Register Map File for Device Programming by a Host Processor

You can also export your configuration to a file format suitable for in-system programming by selecting "Export" as shown below:

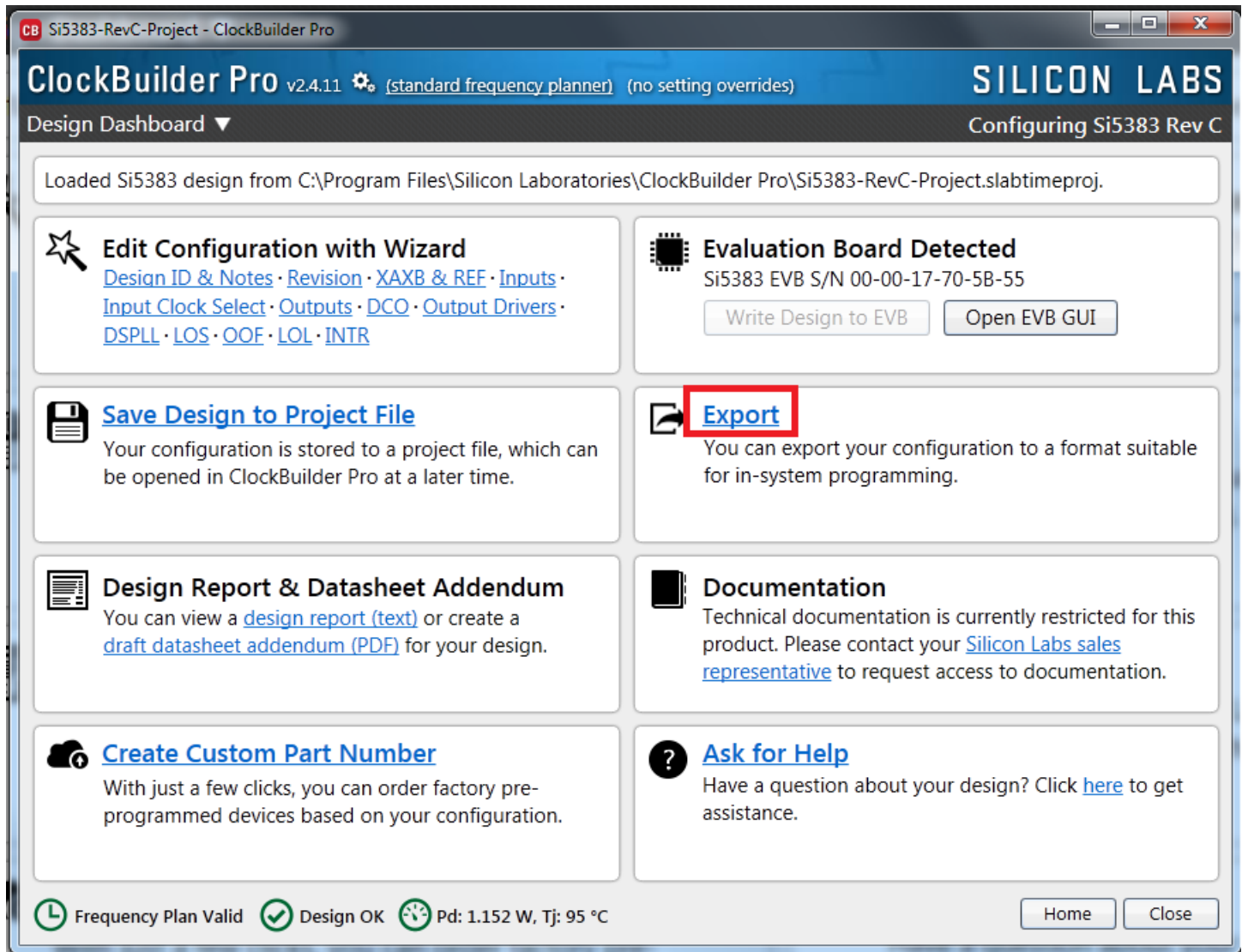


Figure 6.19. Export Register Map File

You can now write your device's complete configuration to file formats suitable for in-system programming.

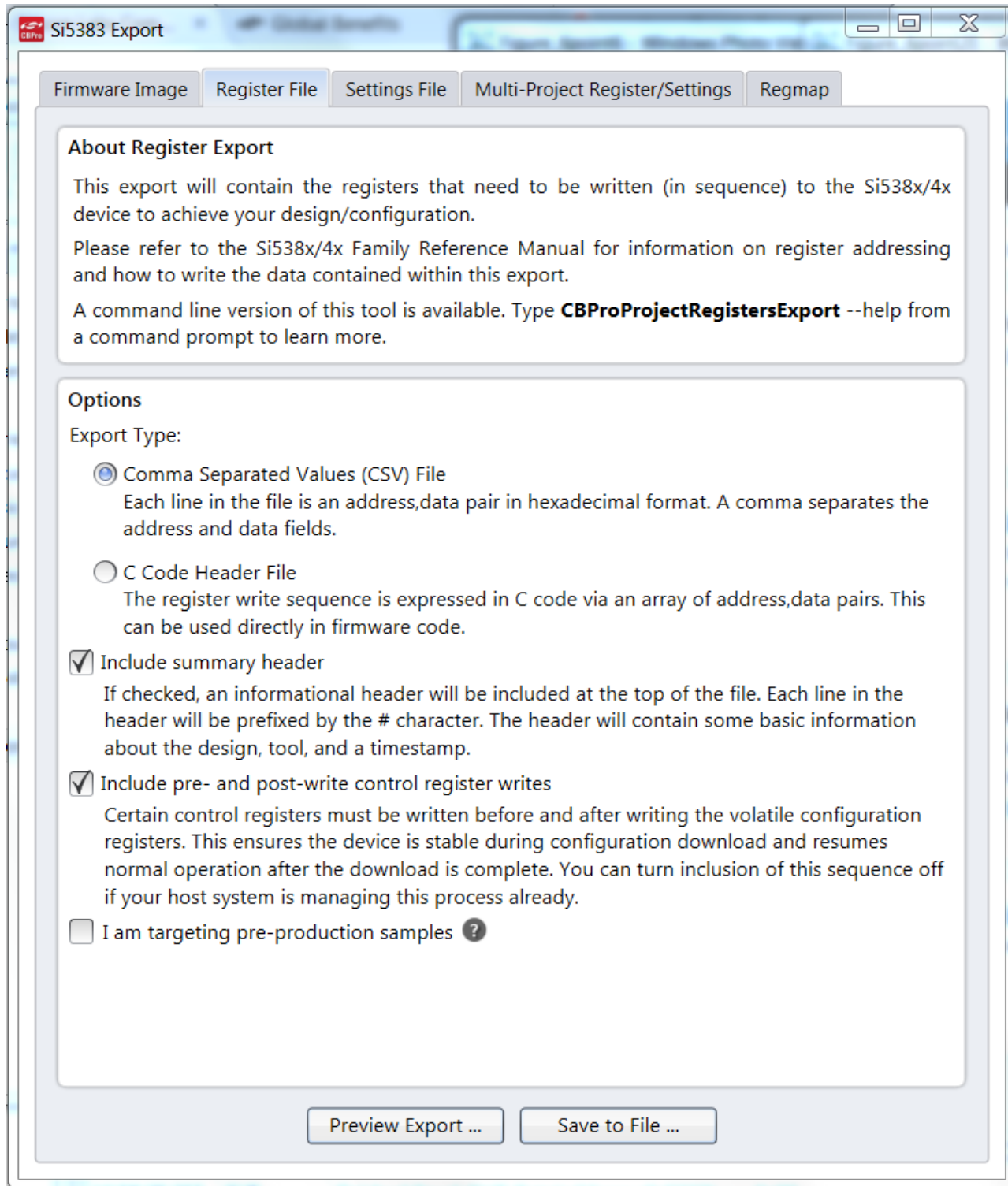


Figure 6.20. Export Settings



## 7. Writing a New Frequency Plan or Device Configuration to Non-Volatile Flash Memory (NVM)

**Note:** Writing a configuration into the EVB from ClockBuilder Pro can be done an unlimited number of times.

## 8. Serial Device Communications (Si5383<->MCU)

### 8.1 On-Board I<sup>2</sup>C Support

The MCU on-board the Si5383-EVB communicates with the Si5383 device through an I<sup>2</sup>C interface. The MCU is the master and the Si5383 device is the slave. It is recommended to use the Si5383 EVB along with CBPro software and the USB cable supplied as the easiest and quickest method to power up, communicate, and evaluate.

### 8.2 External I<sup>2</sup>C Support

I<sup>2</sup>C can be supported if driven from an external I<sup>2</sup>C controller. The serial interface signals between the MCU and the Si5383 pass through shunts loaded on header J48. These jumper shunts must be installed in J48 for normal EVB operation using I<sup>2</sup>C with CBPro. If testing of I<sup>2</sup>C operation via external controller is desired, the shunts in J48 can be removed thereby isolating the on-board MCU from the Si5383 device. An external I<sup>2</sup>C controller connected to the Si5383 side of J48 can then communicate to the Si5383 device. For more information on I<sup>2</sup>C signal protocol, please refer to the Si5383 reference manual.

The figure below illustrates the J48 header schematic. J48 even-numbered pins (2,4) connect to the Si5383 device and the odd-numbered pins (1, 3) connect to the MCU. Once the jumper shunts have been removed from J48, I<sup>2</sup>C operation should use J48 pin 2 (DUT\_SDA\_SDIO) as the I<sup>2</sup>C SDA and J48 pin 4 (DUT\_SCLK) as the I<sup>2</sup>C SCLK.

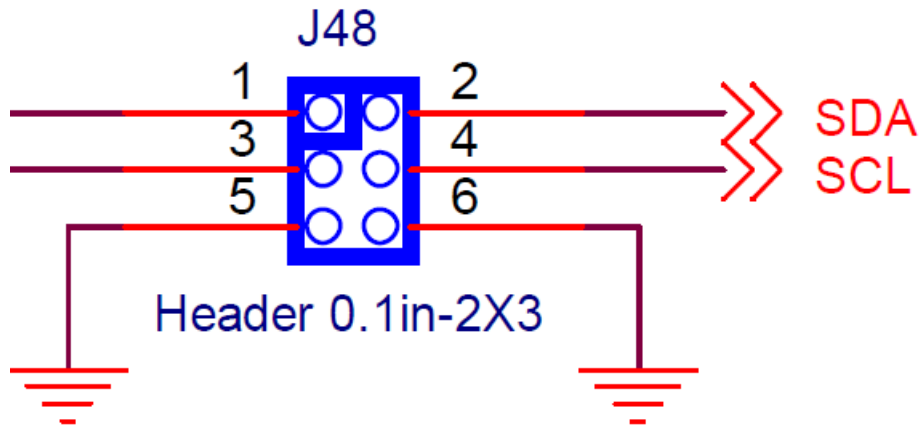


Figure 8.1. Serial Communications Header J48

## 9. Si5383-EVB Schematic and Bill of Materials (BOM)

The Si5383 EVB Schematic and Bill of Materials (BOM) can be found online at:<http://www.silabs.com/products/clocksoscillators/pages/si538x-4x-evb.aspx>

**Note:** Please be aware that Si5383-EVB schematic is in **Orcad Capture** *hierarchical* format and not in a typical "flat" schematic format.



# SKYWORKS®

## ClockBuilder Pro

Customize Skyworks clock generators, jitter attenuators and network synchronizers with a single tool. With CBPro you can control evaluation boards, access documentation, request a custom part number, export for in-system programming and more!

[www.skyworksinc.com/CBPro](http://www.skyworksinc.com/CBPro)



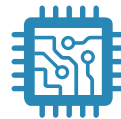
**Portfolio**

[www.skyworksinc.com/ia/timing](http://www.skyworksinc.com/ia/timing)



**SW/HW**

[www.skyworksinc.com/CBPro](http://www.skyworksinc.com/CBPro)



**Quality**

[www.skyworksinc.com/quality](http://www.skyworksinc.com/quality)



**Support & Resources**

[www.skyworksinc.com/support](http://www.skyworksinc.com/support)

### Copyright © 2021 Skyworks Solutions, Inc. All Rights Reserved.

Information in this document is provided in connection with Skyworks Solutions, Inc. ("Skyworks") products or services. These materials, including the information contained herein, are provided by Skyworks as a service to its customers and may be used for informational purposes only by the customer. Skyworks assumes no responsibility for errors or omissions in these materials or the information contained herein. Skyworks may change its documentation, products, services, specifications or product descriptions at any time, without notice. Skyworks makes no commitment to update the materials or information and shall have no responsibility whatsoever for conflicts, incompatibilities, or other difficulties arising from any future changes.

No license, whether express, implied, by estoppel or otherwise, is granted to any intellectual property rights by this document. Skyworks assumes no liability for any materials, products or information provided hereunder, including the sale, distribution, reproduction or use of Skyworks products, information or materials, except as may be provided in Skyworks' Terms and Conditions of Sale.



THE MATERIALS, PRODUCTS AND INFORMATION ARE PROVIDED "AS IS" WITHOUT WARRANTY OF ANY KIND, WHETHER EXPRESS, IMPLIED, STATUTORY, OR OTHERWISE, INCLUDING FITNESS FOR A PARTICULAR PURPOSE OR USE, MERCHANTABILITY, PERFORMANCE, QUALITY OR NON-INFRINGEMENT OF ANY INTELLECTUAL PROPERTY RIGHT; ALL SUCH WARRANTIES ARE HEREBY EXPRESSLY DISCLAIMED. SKYWORKS DOES NOT WARRANT THE ACCURACY OR COMPLETENESS OF THE INFORMATION, TEXT, GRAPHICS OR OTHER ITEMS CONTAINED WITHIN THESE MATERIALS. SKYWORKS SHALL NOT BE LIABLE FOR ANY DAMAGES, INCLUDING BUT NOT LIMITED TO ANY SPECIAL, INDIRECT, INCIDENTAL, STATUTORY, OR CONSEQUENTIAL DAMAGES, INCLUDING WITHOUT LIMITATION, LOST REVENUES OR LOST PROFITS THAT MAY RESULT FROM THE USE OF THE MATERIALS OR INFORMATION, WHETHER OR NOT THE RECIPIENT OF MATERIALS HAS BEEN ADVISED OF THE POSSIBILITY OF SUCH DAMAGE.

Skyworks products are not intended for use in medical, lifesaving or life-sustaining applications, or other equipment in which the failure of the Skyworks products could lead to personal injury, death, physical or environmental damage. Skyworks customers using or selling Skyworks products for use in such applications do so at their own risk and agree to fully indemnify Skyworks for any damages resulting from such improper use or sale.

Customers are responsible for their products and applications using Skyworks products, which may deviate from published specifications as a result of design defects, errors, or operation of products outside of published parameters or design specifications. Customers should include design and operating safeguards to minimize these and other risks. Skyworks assumes no liability for applications assistance, customer product design, or damage to any equipment resulting from the use of Skyworks products outside of Skyworks' published specifications or parameters.

Skyworks, the Skyworks symbol, Sky5®, SkyOne®, SkyBlue™, Skyworks Green™, Clockbuilder®, DSPLL®, ISOModem®, ProSLIC®, and SiPHY® are trademarks or registered trademarks of Skyworks Solutions, Inc. or its subsidiaries in the United States and other countries. Third-party brands and names are for identification purposes only and are the property of their respective owners. Additional information, including relevant terms and conditions, posted at [www.skyworksinc.com](http://www.skyworksinc.com), are incorporated by reference.

Skyworks Solutions, Inc. | Nasdaq: SWKS | [sales@skyworksinc.com](mailto:sales@skyworksinc.com) | [www.skyworksinc.com](http://www.skyworksinc.com)

USA: 781-376-3000 | Asia: 886-2-2735 0399 | Europe: 33 (0)1 43548540 |    

## X-ON Electronics

Largest Supplier of Electrical and Electronic Components

*Click to view similar products for [Clock & Timer Development Tools](#) category:*

*Click to view products by [Silicon Labs](#) manufacturer:*

Other Similar products are found below :

[AD9517-0A/PCBZ](#) [AD9517-2A/PCBZ](#) [AD9522-4/PCBZ](#) [AD9520-5PCBZ](#) [AD9553/PCBZ](#) [ADCLK914PCBZ](#) [LMH2180SDEVAL](#) [DSC400-0333Q0032KE1-EVB](#) [TDGL013](#) [MAX2880EVKIT#](#) [MAX2750EVKIT](#) [MAX2752EVKIT](#) [ADCLK946PCBZ](#) [ADCLK946/PCBZ](#) [MAX2622EVKIT](#) [EKIT01-HMC1032LP6G](#) [Si5332-8IX-EVB](#) [Si5332-12IX-EVB](#) [RV-3029-C2-EVALUATION-BOARD-OPTION-B](#) [Si5332-6IX-EVB](#) [SKY72310-11-EVB](#) [EV1HMC8364LP6G](#) [RV-8263-C7-EVALUATION-BOARD](#) [EVK9FGV1002](#) [EVK9FGV1008](#) [EV1HMC6832ALP5L](#) [EVAL01-HMC830LP6GE](#) [EVAL01-HMC911LC4B](#) [EVAL01-HMC988LP3E](#) [TS3002DB](#) [125605-HMC702LP6CE](#) [LMX2487E-EVM](#) [MIKROE-2481](#) [2045](#) [EKIT01-HMC835LP6G](#) [EKIT01-HMC834LP6GE](#) [TS3006DB](#) [DSC-TIMEFLASH2-KIT1](#) [110227-HMC510LP5](#) [110227-HMC513LP5](#) [AD9515/PCBZ](#) [ADCLK948/PCBZ](#) [ADCLK954/PCBZ](#) [112261-HMC739LP4](#) [ADCLK925/PCBZ](#) [AD9522-0/PCBZ](#) [AD9520-4/PCBZ](#) [AC164147](#) [DFR0469](#) [LMK04133EVAL/NOPB](#)