

## DIGITAL I<sup>2</sup>C HUMIDITY AND TEMPERATURE SENSOR

### Features

- Relative Humidity Sensor
  - ± 4.5 % RH (maximum @ 0–80% RH)
- Temperature Sensor
  - ±0.5 °C accuracy (typical)
  - ±1 °C accuracy (maximum @ 0 to 70 °C)
- 0 to 100% RH operating range
- –40 to +85 °C (GM) or 0 to +70 °C operating range (FM)
- Wide operating voltage range (2.1 to 3.6 V)
- Low Power Consumption
  - 240 µA during RH conversion
- I<sup>2</sup>C host interface
- Integrated on-chip heater
- 4x4 mm QFN package
- Excellent long term stability
- Factory calibrated
- Optional factory-installed cover
  - Low-profile
  - Protection during reflow
  - Excludes liquids and particulates (hydrophobic/oleophobic)



Patent protected; patents pending

### Applications

- Industrial HVAC/R
- Thermostats/humidistats
- Respiratory therapy
- White goods
- Micro-environments/data centers
- Automotive climate control and de-fogging
- Asset and goods tracking

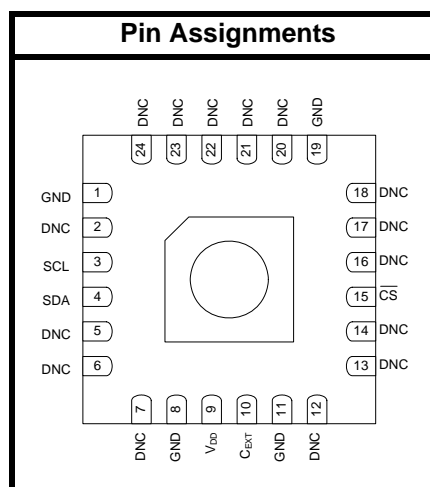
### Description

The Si7005 is a digital relative humidity and temperature sensor. This monolithic CMOS IC integrates temperature and humidity sensor elements, an analog-to-digital converter, signal processing, calibration data, and an I<sup>2</sup>C host interface. The patented use of industry-standard, low-K polymeric dielectrics for sensing humidity enables the construction of a low-power, monolithic CMOS sensor IC with low drift and hysteresis and excellent long term stability.

Both the temperature and humidity sensors are factory-calibrated and the calibration data is stored in the on-chip non-volatile memory. This ensures that the sensors are fully interchangeable, with no recalibration or software changes required.

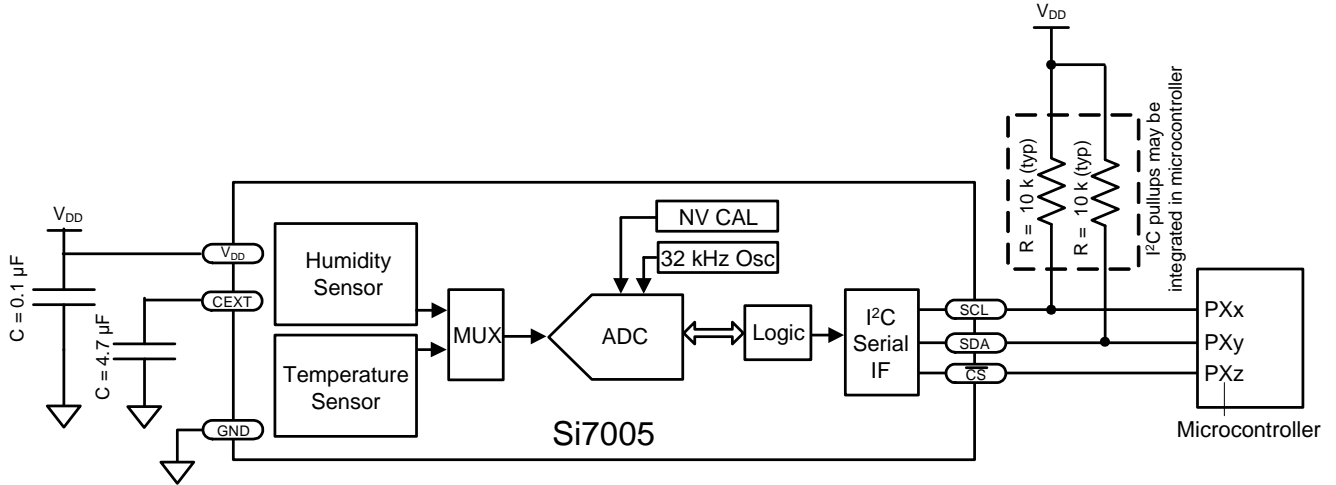
The Si7005 is packaged in a 4x4 mm QFN package and is reflow solderable. The optional factory-installed protective cover offers a low-profile, convenient means of protecting the sensor during assembly (e.g., reflow soldering) and throughout the life of the product, excluding liquids (hydrophobic/oleophobic) and particulates.

The Si7005 offers an accurate, low-power, factory-calibrated digital solution ideal for measuring temperature, humidity, and dew-point in applications ranging from HVAC/R and asset tracking to industrial and consumer platforms.



# Si7005

## Functional Block Diagram



---

**TABLE OF CONTENTS**


---

<b><u>Section</u></b>	<b><u>Page</u></b>
<b>1. Electrical Specifications</b> .....	<b>4</b>
<b>2. Typical Application Circuits</b> .....	<b>10</b>
<b>3. Bill of Materials</b> .....	<b>11</b>
<b>4. Functional Description</b> .....	<b>12</b>
4.1. Overview .....	12
4.2. Relative Humidity Sensor Accuracy .....	13
4.3. Linearization .....	15
4.4. Temperature Compensation .....	16
4.5. Hysteresis .....	16
4.6. Prolonged Exposure to High Humidity .....	16
4.7. PCB Assembly .....	17
4.8. Protecting the Sensor .....	18
4.9. Bake/Hydrate Procedure .....	18
4.10. Long Term Drift/Aging .....	18
<b>5. Host Interface</b> .....	<b>19</b>
5.1. I <sup>2</sup> C Interface .....	19
5.2. I <sup>2</sup> C Operation .....	23
<b>6. Si7005 Connection Diagrams</b> .....	<b>25</b>
<b>7. Control Registers</b> .....	<b>27</b>
7.1. Register Detail (Defaults in Bold) .....	27
<b>8. Pin Descriptions: Si7005</b> .....	<b>30</b>
<b>9. Ordering Guide</b> .....	<b>31</b>
<b>10. Package Outline</b> .....	<b>32</b>
10.1. 24-Pin QFN .....	32
10.2. 24-Pin QFN with Protective Cover .....	33
<b>11. PCB Land Pattern and Solder Mask Design</b> .....	<b>34</b>
<b>12. Top Marking</b> .....	<b>36</b>
12.1. Si7005 Top Marking .....	36
12.2. Top Marking Explanation .....	36
<b>13. Additional Reference Resources</b> .....	<b>37</b>
<b>Document Change List</b> .....	<b>38</b>
<b>Contact Information</b> .....	<b>40</b>

# Si7005

## 1. Electrical Specifications

Unless otherwise specified, all min/max specifications apply over the recommended operating conditions.

**Table 1. Recommended Operating Conditions**

Parameter	Symbol	Test Condition	Min	Typ	Max	Unit
Power Supply	$V_{DD}$		2.1	3.3	3.6	V
Operating Temperature	$T_A$	G grade	-40	—	85	°C
Operating Temperature	$T_A$	F grade	0	—	70	°C

**Table 2. General Specifications**

$2.1 \leq V_{DD} \leq 3.6$  V;  $T_A = 0$  to 70 °C (F grade) or -40 to 85 °C (G grade) unless otherwise noted.

Parameter	Symbol	Test Condition	Min	Typ	Max	Unit
Input Voltage High	$V_{IH}$	$\overline{CS}$ , SCL, SDA pins	$0.7 \times V_{DD}$	—	—	V
Input Voltage Low	$V_{IL}$	$\overline{CS}$ , SCL, SDA pins	—	—	$0.3 \times V_{DD}$	V
Input Voltage Range	$V_{IN}$	SCL, SDA pins with respect to GND	0.0	—	3.6	V
		$\overline{CS}$ , $C_{EXT}$ pin with respect to GND	0.0	—	$V_{DD}$	V
Input Leakage	$I_{IL}$	$\overline{CS}$ , SCL, SDA pins	—	—	$\pm 1$	$\mu A$
Output Voltage Low	$V_{OL}$	SDA pin; $I_{OL} = 8.5$ mA; $V_{DD} = 3.3$ V	—	—	0.6	V
		SDA pin; $I_{OL} = 3.5$ mA; $V_{DD} = 2.1$ V	—	—	0.4	V

**Notes:**

1. Si7005 can draw excess current if  $V_{DD}$  and  $\overline{CS}$  are ramped high together. To enter the lowest power mode, either hold  $\overline{CS}$  low while  $V_{DD}$  ramps or pulse  $\overline{CS}$  low after  $V_{DD}$  reaches its final value.
2. SDA and SCL pins have an internal 75 k $\Omega$  pull-up resistor to VDD

**Table 2. General Specifications (Continued)**

$2.1 \leq V_{DD} \leq 3.6$  V;  $T_A = 0$  to  $70$  °C (F grade) or  $-40$  to  $85$  °C (G grade) unless otherwise noted.

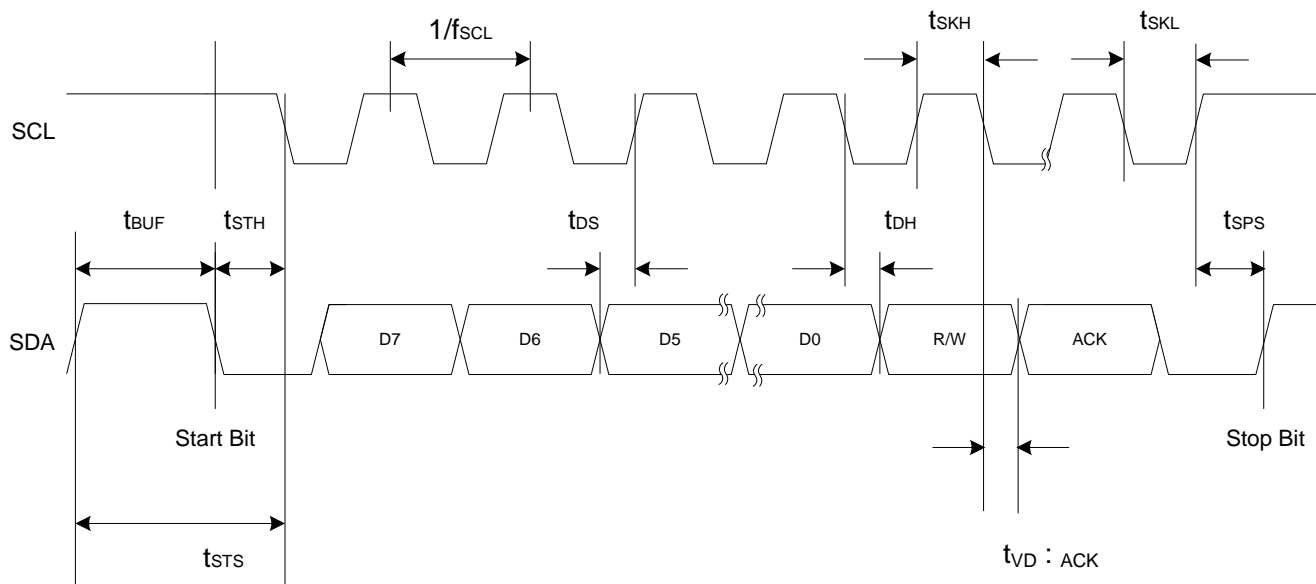
Parameter	Symbol	Test Condition	Min	Typ	Max	Unit
Power Consumption	$I_{DD}$	RH conversion in progress	—	240	560	$\mu$ A
		Temperature conversion in progress	—	320	565	$\mu$ A
		Average for 1 temperature and 1 RH conversion / minute	—	1	—	$\mu$ A
		$\overline{CS} < V_{IL}$ ; no conversion in progress; $V_{DD} = 3.3$ V; $SDA = SCL \geq V_{IH}$	—	150	—	$\mu$ A
		$\overline{CS} > V_{IH}$	—	—	100	$\mu$ A
		$\overline{CS} < V_{IL}$ ; no conversion in progress; $V_{DD} = 3.3$ V; $SDA = SCL \geq V_{IH}$ ; HEAT = 1	—	24	31	mA
Conversion Time	$t_{CONV}$	14-bit temperature; 12-bit RH (Fast = 0)		35	40	ms
		13-bit temperature; 11-bit RH (Fast = 1)		18	21	
Wake Up Time	$t_{\overline{CS}}$	From $\overline{CS} < V_{IL}$ to ready for a temp/RH conversion		10	15	ms
Power Up Time	$t_{PU}$	From $V_{DD} \geq 2.1$ V to ready for a temp/RH conversion		10	15	ms
<b>Notes:</b>						
1. Si7005 can draw excess current if $V_{DD}$ and $\overline{CS}$ are ramped high together. To enter the lowest power mode, either hold $\overline{CS}$ low while $V_{DD}$ ramps or pulse $\overline{CS}$ low after $V_{DD}$ reaches its final value.						
2. SDA and SCL pins have an internal 75 k $\Omega$ pull-up resistor to VDD						

**Table 3. I<sup>2</sup>C Interface Specifications\***

2.1 ≤ V<sub>DD</sub> ≤ 3.6 V; T<sub>A</sub> = 0 to 70 °C (F grade) or -40 to +85 °C (G grade) unless otherwise noted.

Parameter	Symbol	Test Condition	Min	Typ	Max	Unit
Hysteresis	V <sub>HYS</sub>	High-to-low versus low-to-high transition	0.05 x V <sub>DD</sub>	—	—	V
SCLK Frequency	f <sub>SCL</sub>		—	—	400	kHz
SCL high time	t <sub>SKH</sub>		0.6	—	—	μs
SCL low time	t <sub>SKL</sub>		1.3	—	—	μs
Start hold time	t <sub>STH</sub>		0.6	—	—	μs
Start setup time	t <sub>STS</sub>		0.6	—	—	μs
Stop setup time	t <sub>SPS</sub>		0.6	—	—	μs
Bus free time	t <sub>BUF</sub>	Between Stop and Start	1.3	—	—	μs
SDA setup time	t <sub>DS</sub>		100	—	—	ns
SDA hold time	t <sub>DH</sub>		100	—	—	ns
SDA valid time	t <sub>VD;DAT</sub>	From SCL low to data valid	—	—	0.9	μs
SDA acknowledge valid time	t <sub>VD;ACK</sub>	From SCL low to data valid	—	—	0.9	μs

**\*Note:** All values are referenced to V<sub>IL</sub> and/or V<sub>IH</sub>.



**Figure 1. I<sup>2</sup>C Interface Timing Diagram**

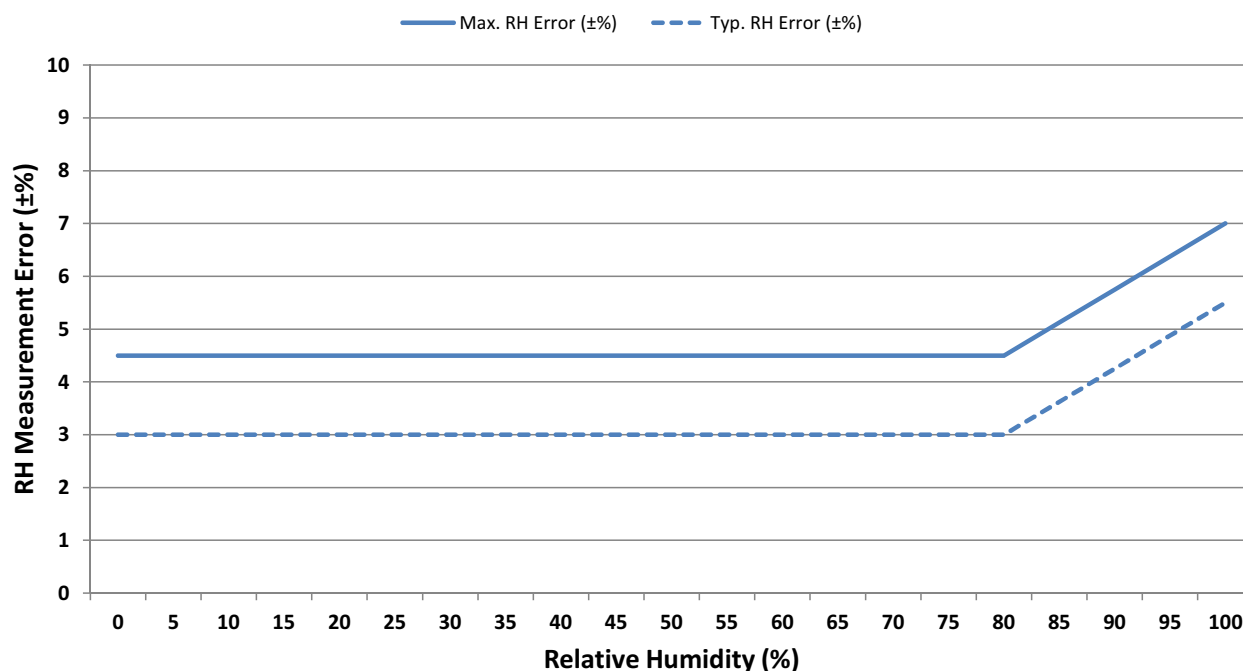
**Table 4. Humidity Sensor**

$2.1 \leq V_{DD} \leq 3.6$  V;  $T_A = 25$  °C;  $t_{CONV} = 35$  ms unless otherwise noted.

Parameter	Symbol	Test Condition	Min	Typ	Max	Unit
Operating Range <sup>1</sup>		Non-condensing	0	—	100	%RH
Resolution <sup>2</sup>			—	—	12	bit
Accuracy <sup>3,4</sup>		20–80% RH	—	±3.0	±4.5	%RH
		0–100% RH	See Figure 2			
Repeatability—Noise			—	0.05	—	%RH RMS
Response Time <sup>5</sup>	$\tau$ 63%	1 m/s airflow	—	18	—	s
Hysteresis			—	±1	—	%RH
Long Term Stability <sup>4</sup>			—	≤0.25	—	%RH/yr

**Notes:**

1. Recommended humidity operating range is 20 to 80% RH (non-condensing) over 0 to 60 °C. Prolonged operation beyond these ranges may result in a shift of sensor reading, with slow recovery time.
2. The Si7005 has a nominal output of 16 codes per %RH, with 0h0000 = –24%RH.
3. Excludes hysteresis, long term drift, and certain other factors and is applicable to non-condensing environments only. See section “4.2. Relative Humidity Sensor Accuracy” for more details.
4. May be impacted by dust, vaporized solvents or other contaminants, e.g., out-gassing tapes, adhesives, packaging materials, etc. See section “4.10. Long Term Drift/Aging”.
5. Time for sensor output to reach 63% of its final value after a step change.

**RH Accuracy****Figure 2. RH Accuracy at 30 °C**

# Si7005

**Table 5. Temperature Sensor**

$2.1 \leq V_{DD} \leq 3.6$  V;  $T_A = 0$  to  $70$  °C (F grade) or  $-40$  to  $+85$  °C (G grade);  $t_{CONV} = 35$  ms unless otherwise noted.

Parameter	Symbol	Test Condition	Min	Typ	Max	Unit
Operating Range			-40	—	85	°C
Resolution <sup>1</sup>			—	—	14	Bit
			—	—	1/32	°C
Accuracy <sup>2</sup>		Typical at 25 °C	—	±0.5	±1.0	°C
		Maximum	See Figure 3.			°C
Repeatability—Noise			—	0.1	—	°C RMS
Response Time <sup>3</sup>		Time to reach 63% of final value	—	1.5	—	s
Long Term Stability			—	<0.05	—	°C/yr

**Notes:**

1. The Si7005 has a nominal output of 32 codes /°C, with 0000 = -50 °C
2. Temperature sensor accuracy is for  $V_{DD} = 2.3$  to  $3.6$  V.
3. Actual response times will vary dependent on system thermal mass and air-flow.

## Temperature Accuracy

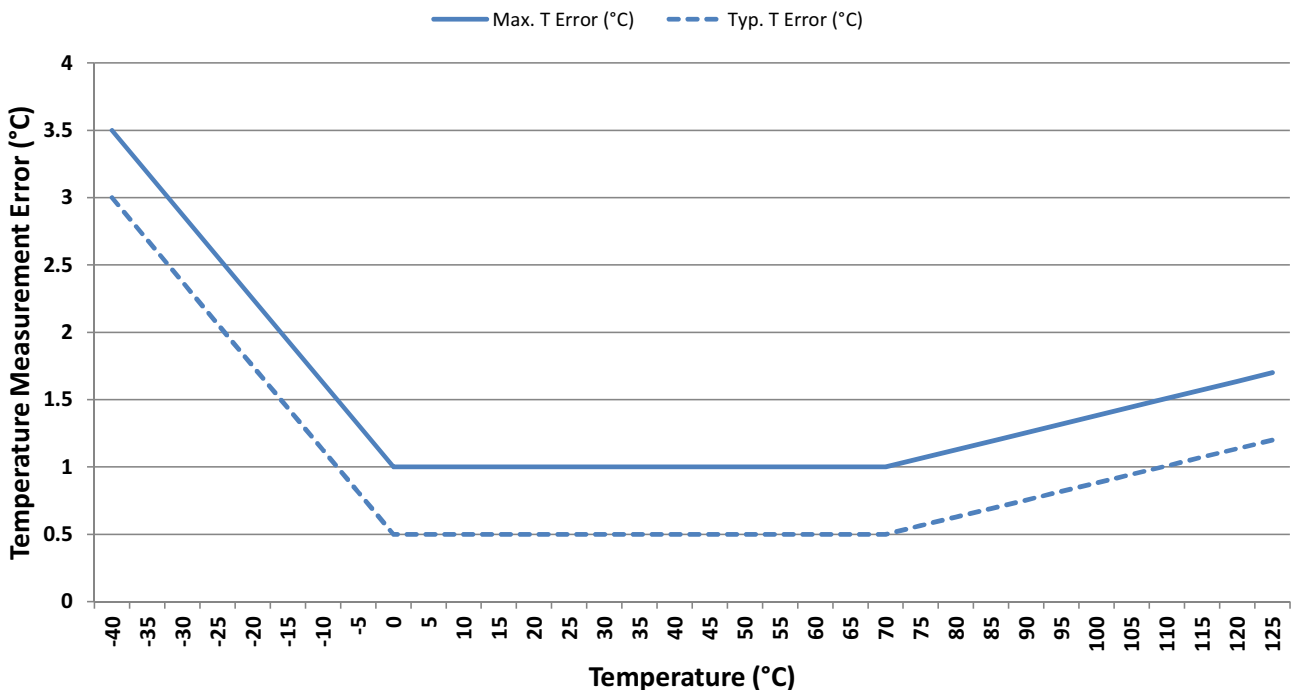


Figure 3. Temperature Accuracy



Table 6. Thermal Characteristics

Parameter	Symbol	Test Condition	QFN-24	Unit
Junction-to-Air Thermal Resistance	$\theta_{JA}$	JEDEC 4-layer board	55	°C/W
Junction-to-Air Thermal Resistance	$\theta_{JA}$	2-layer evaluation PCB with minimal thermal pad	110	°C/W

Table 7. Absolute Maximum Ratings<sup>1,2</sup>

Parameter	Symbol	Test Condition	Min	Typ	Max	Unit
Ambient Temperature under Bias			-55	—	125	°C
Storage Temperature			-65	—	150	°C
Voltage on SDA or SCL pin with respect to GND			-0.3	—	3.9	V
Voltage on $\overline{CS}$ pin with respect to GND			-0.3	—	VDD + 0.3	V
Voltage on V <sub>DD</sub> with respect to GND			-0.3	—	4.2	V
ESD Tolerance		HBM	—	—	3	kV
		CDM	—	—	750	V
		MM	—	—	300	V

**Notes:**

1. Absolute maximum ratings are stress ratings only; operation at or beyond these conditions is not implied and may shorten the life of the device or alter its performance.
2. For best accuracy, after removal from the sealed shipping bags, the Si7005 should be stored in climate controlled conditions (10 to 35 °C, 20 to 60 %RH). Exposure to high temperature and/or high humidity environments can cause a small upwards shift in RH readings.

## 2. Typical Application Circuits

**Note:** If the Si7005 shares an I<sup>2</sup>C bus with other slave devices, it should be powered down when the master controller is communicating with the other slave devices.

The Si7005 can be powered down either by setting the  $\overline{CS}$  signal to logic high or setting the VDD pin to 0 V. Refer to Figure 5 for an illustration of this method of powering the Si7005 from an MCU GPIO (the Si7005 VDD is powered from an MCU port pin).

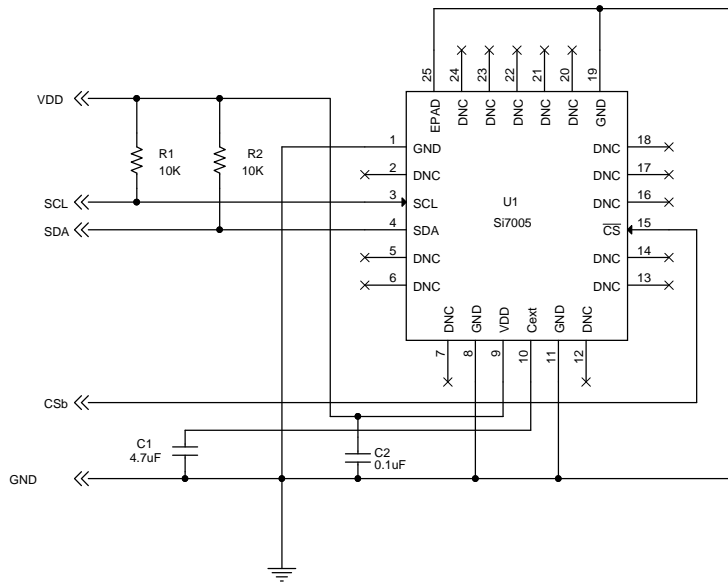


Figure 4. Typical Application Circuit

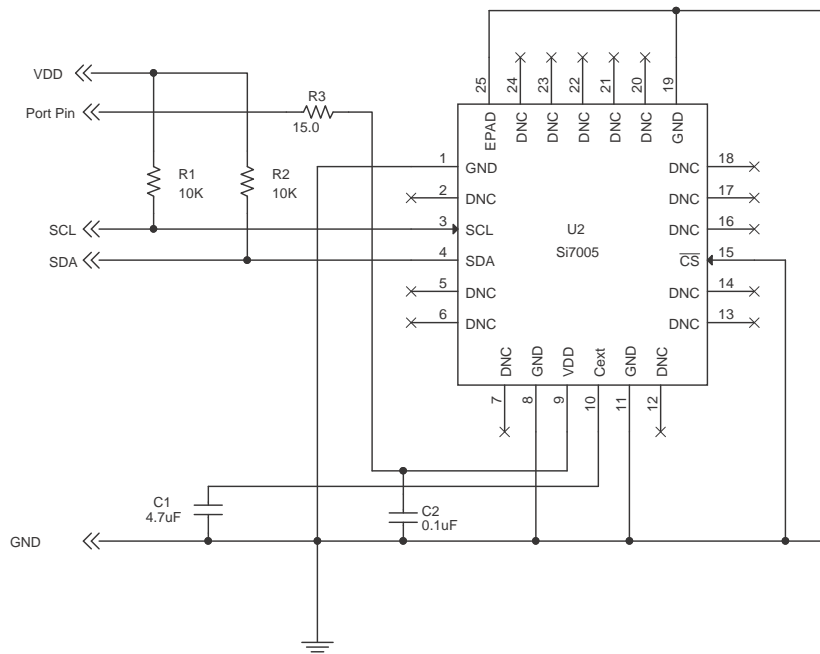


Figure 5. Typical Application Circuit for Battery-Powered Applications

### 3. Bill of Materials

**Table 8. Typical Application Circuit BOM**

Reference	Description	Mfr Part Number	Manufacturer
C1	Capacitor, 4.7 $\mu$ F, 6.3 V, X5R, 0603	C0603X5R6R3-475M	Venkel
C2	Capacitor, 0.1 $\mu$ F, 6.3 V, X7R, 0603	C0603X7R6R3-104M	Venkel
R1*	Resistor, 10 k $\Omega$ , $\pm$ 5%, 1/16W, 0603	CR0603-16W-1002J	Venkel
R2*	Resistor, 10 k $\Omega$ , $\pm$ 5%, 1/16W, 0603	CR0603-16W-1002J	Venkel
U1	IC, digital temperature/humidity sensor	Si7005	Silicon Labs

**\*Note:** Typical value shown. Optimal value depends on bus capacitance and speed of bus operation; not needed if present elsewhere in the system.

**Table 9. Typical Application Circuit for Battery-Powered Applications BOM**

Reference	Description	Mfr Part Number	Manufacturer
C1	Capacitor, 4.7 $\mu$ F, 6.3 V, X5R, 0805	C0805X5R160-475M	Venkel
C2	Capacitor, 0.1 $\mu$ F, 6.3 V, X7R, 0603	C0603X7R6R3-104M	Venkel
R1*	Resistor, 10 k $\Omega$ , $\pm$ 5%, 1/16W, 0603	CR0603-16W-1002J	Venkel
R2*	Resistor, 10 k $\Omega$ , $\pm$ 5%, 1/16W, 0603	CR0603-16W-1002J	Venkel
R3	Resistor, 15 $\Omega$ , $\pm$ 5%, 1/16W, 0603	CR0603-16W-15R0J	Venkel
U1	IC, digital temperature/humidity sensor	Si7005	Silicon Labs

**\*Note:** Typical value shown. Optimal value depends on bus capacitance and speed of bus operation; not needed if present elsewhere in the system.

## 4. Functional Description

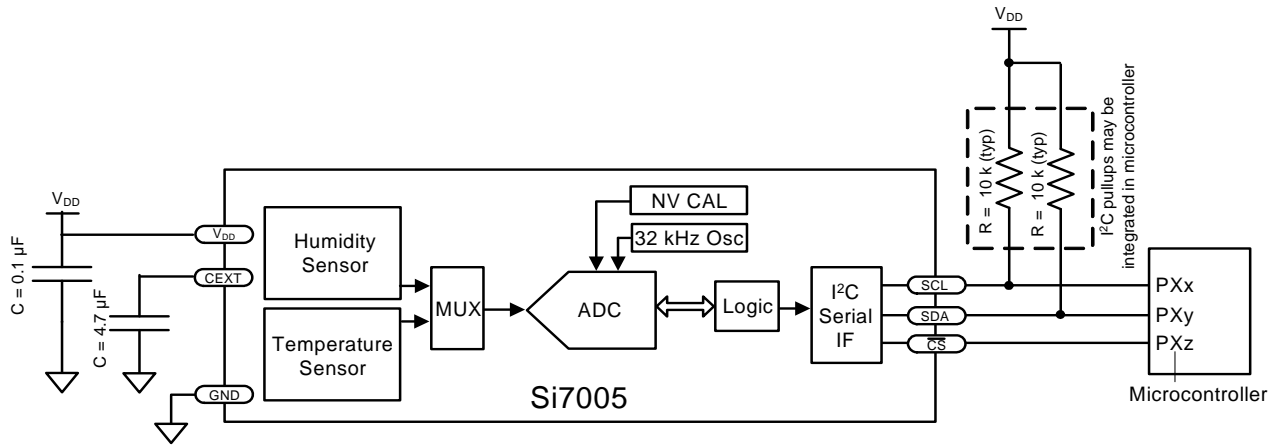


Figure 6. Si7005 Functional Block Diagram

### 4.1. Overview

The Si7005 is a digital relative humidity and temperature sensor. This monolithic CMOS IC integrates temperature and humidity sensor elements, an analog-to-digital converter, signal processing, calibration data, and an I<sup>2</sup>C host interface. Both the temperature and humidity sensors on each unit are factory-calibrated and the calibration data is stored in the on-chip non-volatile memory. This ensures that the sensors are fully interchangeable, with no recalibration or software changes required.

While the Si7005 is largely a conventional mixed-signal CMOS integrated circuit, relative humidity sensors in general and those based on capacitive sensing using polymeric dielectric have unique application and use requirements that are not common to conventional (non-sensor) ICs. Chief among those are:

- The need to protect the sensor during board assembly, i.e., solder reflow, and the need to subsequently rehydrate the sensor.
- The need to protect the sensor from damage or contamination during the product life-cycle
- The impact of prolonged exposure to extremes of temperature and/or humidity and their potential affect on sensor accuracy
- The effects of humidity sensor “memory”
- The need to apply temperature correction and linearization to the humidity readings

Each of these items is discussed in more detail in the following sections.

## 4.2. Relative Humidity Sensor Accuracy

To determine the accuracy of a relative humidity sensor, it is placed in a temperature and humidity controlled chamber. The temperature is set to a convenient fixed value (typically 30 °C) and the relative humidity is swept from 20 to 80% and back to 20% in the following steps: 20% – 40% – 60% – 80% – 80% – 60% – 40% – 20%. At each set-point, the chamber is allowed to settle for a period of 30 minutes before a reading is taken from the sensor. Prior to the sweep, the device is allowed to stabilize to 50%RH. The solid top and bottom trace in Figure 7, "Measuring Sensor Accuracy Including Hysteresis," shows the result of a typical sweep after non-linearity compensation.

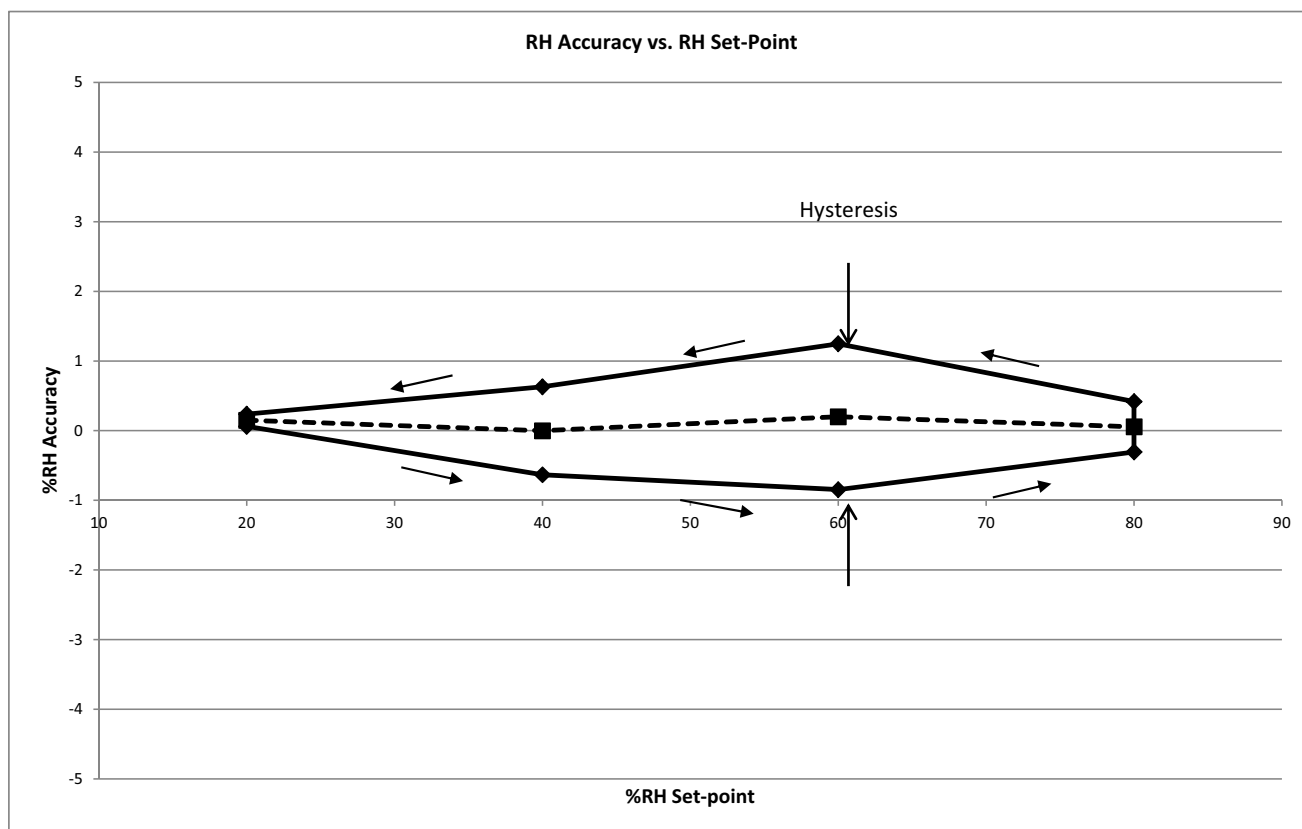


Figure 7. Measuring Sensor Accuracy Including Hysteresis

# Si7005

---

The RH accuracy is defined as the center (dashed) line shown in Figure 7, which is the average of the two data points at each relative humidity set-point. In this case, the sensor shows an accuracy of 0.25%RH. The Si7005 accuracy specification (Table 4) includes:

- Unit-to-unit and lot-to-lot variation in non-linearity compensation
- Accuracy of factory calibration
- Margin for shifts that can occur during solder reflow (compensation for shift due to reflow is included in the linearization procedure below).

The accuracy specification does not include:

- Hysteresis (typically  $\pm 1\%$ )
- Effects from long term exposure to very humid conditions
- Contamination of the sensor by particulates, chemicals, etc.
- Other aging related shifts ("Long-term stability")
- Variations due to temperature (a temperature compensation method is described in section "4.4. Temperature Compensation"). After application of temperature compensation, RH readings will typically vary by less than  $\pm 0.05\%/^{\circ}\text{C}$ .

### 4.3. Linearization

Capacitive relative humidity sensors require linearization. The Si7005 accuracy specification (Table 4) applies after correction of non-linearity errors. The recommended linearization technique is to correct the measured relative humidity value with a 2nd order polynomial; the linear relative humidity (RH) value is calculated as follows:

$$RH_{\text{Linear}} = RH_{\text{Value}} - ((RH_{\text{Value}})^2 \times A_2 + RH_{\text{Value}} \times A_1 + A_0)$$

Where:

- $RH_{\text{Linear}}$  is the corrected relative humidity value in %RH
- $RH_{\text{Value}}$  is the uncorrected (measured) relative humidity value in %RH
- $A_2$ ,  $A_1$ , and  $A_0$  are unit-less correction coefficients derived through characterization of Si7005s by Silicon Laboratories; their values depend on whether compensation for a typical solder reflow is required

The values for the correction coefficients are shown in Table 10.

**Table 10. Linearization Coefficients**

Coefficient	Value
$A_0$	-4.7844
$A_1$	0.4008
$A_2$	-0.00393

## 4.4. Temperature Compensation

The Si7005 relative humidity sensor is calibrated at a temperature of 30 °C; it is at this temperature that the sensor will give the most accurate relative humidity readings. For relative humidity measurements at other temperatures, the RH reading from the Si7005 must be compensated for the change in temperature relative to 30 °C. Temperature compensated relative humidity readings can be calculated as follows:

$$RH_{TempCompensated} = RH_{Linear} + (Temperature - 30) \times (RH_{Linear} \times Q_1 + Q_0)$$

Where:

- $RH_{TempCompensated}$  is the temperature compensated relative humidity value in %RH.
- $RH_{Linear}$  is the linear corrected relative humidity value in %RH.
- Temperature is the ambient temperature in °C as measured by the Si7005 on chip temperature sensor.
- $Q_1$  and  $Q_0$  are unit-less correction coefficients derived through characterization of Si7005s by Silicon Laboratories.

This temperature compensation is most accurate in the range of 15–50 °C. The values for the correction coefficients are shown in Table 11.

**Table 11. Linearization Coefficients**

Coefficient	Value
$Q_0$	0.1973
$Q_1$	0.00237

## 4.5. Hysteresis

The moisture absorbent film (polymeric dielectric) of the humidity sensor will carry a memory of its exposure history, particularly its recent or extreme exposure history. A sensor exposed to relatively low humidity will carry a negative offset relative to the factory calibration, and a sensor exposed to relatively high humidity will carry a positive offset relative to the factory calibration. This factor causes a hysteresis effect illustrated by the solid top and bottom traces in Figure 7. The hysteresis value is the difference in %RH between the maximum absolute error on the decreasing humidity ramp and the maximum absolute error on the increasing humidity ramp at a single relative humidity Setpoint and is expressed as a bipolar quantity relative to the average, the center dashed trace in Figure 7. In the case of Figure 7, the measurement uncertainty due to the hysteresis effect is  $\pm 1.05\%$ RH.

## 4.6. Prolonged Exposure to High Humidity

Prolonged exposure to high humidity will result in a gradual upward drift of the RH reading. The shift in sensor reading resulting from this drift will generally disappear slowly under normal ambient conditions. The amount of shift is proportional to the magnitude of relative humidity and the length of exposure. In the case of lengthy exposure to high humidity, some of the resulting shift may persist indefinitely under typical conditions. It is generally possible to substantially reverse this affect by baking the device (see section “4.9. Bake/Hydrate Procedure”).



## 4.7. PCB Assembly

### 4.7.1. Soldering

Like most ICs, Si7005 devices are shipped from the factory vacuum-packed with an enclosed desiccant to avoid any drift during storage and to prevent any moisture-related issues during solder reflow. Devices should be soldered using reflow and a “no clean” solder process, as a water or solvent rinse after soldering may affect accuracy. See "11. PCB Land Pattern and Solder Mask Design" on page 34 for the recommended card reflow profile.

It is essential that the exposed polymer sensing film be kept clean and undamaged. It is recommended that a protective cover of some kind be in place during PCB assembly. Kapton®\* polyimide tape is recommended as a protective cover. See Table 12 below for examples of tape products that may be used for protection during the soldering operation.

Alternatively, Si7005s may be ordered with a factory-fitted, solder-resistant protective cover that can be left in place for the lifetime of the product, preventing liquids, dust, or other contaminants from coming into contact with the polymer sensor film. See "9. Ordering Guide" on page 31 for a list of ordering part numbers that include the cover.

### 4.7.2. Rehydration

The measured humidity value will generally shift slightly after solder reflow. A portion of this shift is permanent and is accounted for when using the linearization procedure given above. After soldering, an Si7005 should be allowed to equilibrate under controlled RH conditions (room temperature, 45–55%RH) for at least 48 hours to eliminate the remainder of the shift and return the device to its specified accuracy performance.

### 4.7.3. Rework

To maintain the specified sensor performance, care must be taken during rework to minimize the exposure of the device to excessive heat and to avoid damage/contamination or a shift in the sensor reading due to liquids, solder flux, etc. Manual touch-up using a soldering iron is permissible under the following guidelines:

- The exposed polymer sensing film must be kept clean and undamaged. A protective cover is recommended during any rework operation (Kapton® tape or the factory-installed cover).
- Flux must not be allowed to contaminate the sensor; liquid flux is not recommended even with a cover in place. Conventional lead-free solder with rosin core is acceptable for touch-up as long as a cover is in place during the rework.
- Avoid water or solvent rinses after touch-up.
- Minimize the heating of the device. It is recommended that soldering iron temperatures not exceed 350 °C and that the contact time per pin does not exceed five seconds.

Hot air rework is not recommended. If a device must be replaced, remove the device by hot air and solder a new part in its place by reflow following the guidelines above.

**\*Note:** All trademarks are the property of their respective owners.

**Table 12. Tape Products for Protection During Soldering**

Manufacturer Part Number*	Manufacturer
KPPD-1/8	Kaptontape.com
<b>*Note:</b> Provided for information only.	



**Figure 8. Si7005 with Factory-Installed Protective Cover**

## 4.8. Protecting the Sensor

Because the sensor operates on the principal of measuring a change in capacitance, any changes to the dielectric constant of the polymer film will be detected as a change in relative humidity. Therefore, it is important to minimize the probability of contaminants coming into contact with the sensor. Dust and other particles as well as liquids can affect the RH reading. It is recommended that a filter cover is employed in the end system that blocks contaminants but allows water vapor to pass through. Depending on the needs of the application, this can be as simple as plastic or metallic gauze for basic protection against particulates or something more sophisticated such as a hydrophobic membrane providing up to IP67 compliant protection.

Si7005s may be ordered with a factory fitted, solder-resistant cover, which can be left in place for the lifetime of the product. It is very low-profile, hydrophobic and oleophobic, and excludes particulates down to 0.35 microns in size. See section “9. Ordering Guide” for a list of ordering part numbers that include the cover. A dimensioned drawing of the IC with the cover is included in section “10. Package Outline”. Other characteristics of the cover are listed in Table 13. The sensor should be protected from direct sunlight to prevent heating effects as well as possible material degradation.

**Table 13. Specifications of Protective Cover**

Parameter	Value
Material	ePTFE
Water Entry Pressure	2.7 bar
Pore Size	0.35 $\mu$
Operating Temperature	-40 to +125 °C
Maximum Reflow Temperature	260 °C
Oleophobicity (AATCC 118 – 1992)	7
IP Rating (per IEC 529)	IP67

## 4.9. Bake/Hydrate Procedure

After exposure to extremes of temperature and/or humidity for prolonged periods, the polymer sensor film can become either very dry or very wet, in each case the result is either high or low relative humidity readings. Under normal operating conditions, the induced error will diminish over time. From a very dry condition, such as after shipment and soldering, the error will diminish over a few days at typical controlled ambient conditions, e.g., 48 hours of  $45 \leq \%RH \leq 55$ . However, from a very wet condition, recovery may take significantly longer. To accelerate recovery from a wet condition, a bake and hydrate cycle can be implemented. This operation consists of the following steps:

- Baking the sensor at 125 °C for  $\geq 12$  hours
- Hydration at 30 °C in 75 %RH for  $\geq 10$  hours

Following this cycle, the sensor will return to normal operation in typical ambient conditions after a few days.

## 4.10. Long Term Drift/Aging

Over long periods of time, the sensor readings may drift due to aging of the device. Standard accelerated life testing of the Si7005 has resulted in the specifications for long-term drift shown in Table 4 and Table 5. This contribution to the overall sensor accuracy accounts only for the long-term aging of the device in an otherwise benign operating environment and does not include the affects of damage, contamination, or exposure to extreme environmental conditions.

## 5. Host Interface

### 5.1. I<sup>2</sup>C Interface

The Si7005 has an I<sup>2</sup>C serial interface with a 7-bit address of 0x40. The Si7005 is a slave device supporting data transfer rates up to 400 kHz. Table 24 shows the register summary of the Si7005.

#### 5.1.1. Performing a Relative Humidity Measurement

The following steps should be performed in sequence to take a relative humidity measurement:

1. Set START (D0) in CONFIG to begin a new conversion
2. Poll RDY (D0) in STATUS (register 0) until it is low (= 0)
3. Read the upper and lower bytes of the RH value from DATAh and DATAl (registers 0x01 and 0x02), respectively. Table 14 shows the format of the 12-bit relative humidity result.
4. Convert the RH value to %RH using the following equation:

$$\%RH = \left( \frac{RH}{16} \right) - 24$$

where RH is the measured value returned in DATAh:DATAI

5. Apply temperature compensation and/or linearization as discussed elsewhere in this data sheet

Table 15 shows the 12-bit values that correspond to various measured RH levels.

**Table 14. 12-Bit Relative Humidity Result Available in Registers 1 and 2**

DATAh								DATAI							
D7	D6	D5	D4	D3	D2	D1	D0	D7	D6	D5	D4	D3	D2	D1	D0
12-Bit Relative Humidity Code												0	0	0	0

**Table 15. Typical %RH Measurement Codes for 0 to 100% RH Range**

%RH	12 Bit Code	
	Dec	Hex
0	384	180
10	544	220
20	704	2C0
30	864	360
40	1024	400
50	1184	4A0
60	1344	540
70	1504	5E0
80	1664	680
90	1824	720
100	1984	7C0

The above sequence assumes normal mode, i.e.,  $t_{CONV} = 35$  ms (typical). Conversions may be performed in fast mode. See section “5.1.3. Fast Conversion Mode”.

## 5.1.2. Performing a Temperature Measurement

The following steps should be performed in sequence to take a temperature measurement:

6. Set START (D0) and TEMP (D4) in CONFIG (register 0x03) to begin a new conversion, i.e., write CONFIG with 0x11
7. Poll RDY (D0) in STATUS (register 0) until it is low (=0)
8. Read the upper and lower bytes of the temperature value from DATAh and DATAI (registers 0x01 and 0x02), respectively

Table 16 shows the format of the 14-bit temperature result. This value may be converted to °C using the following equation:

$$\text{Temperature}(\text{°C}) = \left( \frac{\text{TEMP}}{32} \right) - 50$$

where TEMP is the measured value returned in DATAh:DATAI.

Table 17 shows the 14-bit values that correspond to various measured temperature levels.

**Table 16. 14-Bit Temperature Result Available in Registers 1 and 2**

DATAh								DATAI							
D7	D6	D5	D4	D3	D2	D1	D0	D7	D6	D5	D4	D3	D2	D1	D0
14-Bit Temperature Code														0	0

The above sequence assumes normal mode, i.e.,  $t_{\text{CONV}} = 35$  ms (typical). Conversions may be performed in fast mode. See section “5.1.3. Fast Conversion Mode”.

Table 17. Typical Temperature Measurement Codes for the -40 °C to 100 °C Range

Temp(°C)	14 Bit Code	
	Dec	Hex
-40	320	0140
-30	640	0280
-20	960	03C0
-10	1280	0500
0	1600	0640
10	1920	0780
20	2240	08C0
30	2560	0A00
40	2880	0B40
50	3200	0C80
60	3520	0DC0
70	3840	0F00
80	4160	1040
90	4480	1180
100	4800	12C0

### 5.1.3. Fast Conversion Mode

The time needed to perform a temperature or RH measurement can be reduced from 35 ms (typical) to 18 ms (typical) by setting FAST (D5) in CONFIG (register 0x03). Fast mode reduces the total power consumed during a conversion or the average power consumed by the Si7005 when making periodic conversions. It also reduces the resolution of the measurements. Table 18 is a comparison of the normal and fast modes.

**Table 18. Normal vs. Fast Mode**

Parameter	Value	
	Normal Mode	Fast Mode
t <sub>CONV</sub> (typical)	35 ms	18 ms
Temperature resolution	14-bit	13-bit
RH resolution	12-bit	11-bit

### 5.1.4. Heater

The Si7005 relative humidity sensor contains an integrated, resistive heating element that may be used to raise the temperature of the humidity sensor. This element can be used to drive off condensation or to implement dew-point measurement when the Si7005 is used in conjunction with a separate temperature sensor such as another Si7005.

The heater can be activated by setting HEAT (D1) in CONFIG (register 0x03). Turning on the heater will reduce the tendency of the humidity sensor to accumulate an offset due to “memory” of sustained high humidity conditions. When the heater is enabled, the reading of the on-chip temperature sensor will be affected (increased).

### 5.1.5. Device Identification

The Si7005 device and its revision level can be determined by reading ID (register 0x11). Table 19 lists the values for the various device revisions and may include revisions not yet in existence.

**Table 19. Device ID Revision Values**

Device ID Value		Device Type	Revision Level
D[7:4]	D[3:0]		
0101	0000	Si7005	B

## 5.2. I<sup>2</sup>C Operation

The Si7005 uses a digital I<sup>2</sup>C interface. If the Si7005 shares an I<sup>2</sup>C bus with other slave devices, it should be powered down when the master controller is communicating with the other slave devices. The Si7005 can be powered down either by setting the  $\overline{CS}$  signal to logic high or setting the VDD pin to 0 V. A method of achieving this by powering the Si7005 from an MCU GPIO is shown in Figure 5.

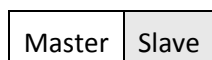
The format of the address byte is shown in Table 20.

**Table 20. I<sup>2</sup>C Slave Address Byte**

A6	A5	A4	A3	A2	A1	A0	R/W
1	0	0	0	0	0	0	1/0

### 5.2.1. I<sup>2</sup>C Write Operation

To write to a register on the Si7005, the master should issue a start command (S) followed by the slave address, 0x40. The slave address is followed by a 0 to indicate that the operation is a write. Upon recognizing its slave address, the Si7005 issues an acknowledge (A) by pulling the SDA line low for the high duration of the ninth SCL cycle. The next byte the master places on the bus is the register address pointer, selecting the register on the Si7005 to which the data should be transferred. After the Si7005 acknowledges this byte, the master places a data byte on the bus. This byte will be written to the register selected by the address pointer. The Si7005 will acknowledge the data byte, after which the master issues a Stop command (P). See Table 21.



**Table 21. I<sup>2</sup>C Write Sequence**

#### Sequence to Write to a Register

S	Slave Address	W	A	Address Pointer	A	Register Data	A	P
---	---------------	---	---	-----------------	---	---------------	---	---

#### Sequence to Start a Relative Humidity Conversion

S	0x40	0	A	0x03	A	0x01	A	P
---	------	---	---	------	---	------	---	---

#### Sequence to Start a Temperature Conversion

S	0x40	0	A	0x03	A	0x11	A	P
---	------	---	---	------	---	------	---	---

## 5.2.2. I<sup>2</sup>C Read Operation

To read a register on the Si7005, the master must first set the address pointer to indicate the register from which the data is to be transferred. Therefore, the first communication with the Si7005 is a write operation. The master should issue a start command (S) followed by the slave address, 0x40. The slave address is followed by a 0 to indicate that the operation is a write. Upon recognizing its slave address, the Si7005 will issue an acknowledge (A) by pulling the SDA line low for the high duration of the ninth SCL cycle. The next byte the master places on the bus is the register address pointer selecting the register on the Si7005 from which the data should be transferred. After the Si7005 acknowledges this byte, the master issues a repeated start command (Sr) indicating that a new transfer is to take place. The Si7005 is addressed once again with the R/W bit set to 1, indicating a read operation. The Si7005 will acknowledge its slave address and output data from the previously-selected register onto the data bus under the control of the SCL signal, the master should not acknowledge ( $\bar{A}$ ) the data byte and issue a stop (P) command (see Table 22). However, if a RH or Temperature conversion result (two bytes) is to be read, the master should acknowledge (A) the first data byte and continue to activate the SCL signal. The Si7005 will automatically output the second data byte. Upon receiving the second byte, the master should issue a not Acknowledge ( $\bar{A}$ ) followed by a stop command. (See Table 23).

**Table 22. I<sup>2</sup>C Read Sequence for a Single Register**

**Sequence to Read from a Single Register**

S	Slave Address	W	A	Address Pointer	A	Sr	Slave Address	R	A	Register Data	$\bar{A}$	P
---	---------------	---	---	-----------------	---	----	---------------	---	---	---------------	-----------	---

**Sequence to Read Device ID**

S	0x40	0	A	0x11	A	Sr	0x40	1	A	ID	$\bar{A}$	P
---	------	---	---	------	---	----	------	---	---	----	-----------	---

**Sequence to Read  $\overline{RDY}$  bit**

S	0x40	0	A	0x00	A	Sr	0x40	1	A	—	$\overline{RDY}$	$\bar{A}$	P
---	------	---	---	------	---	----	------	---	---	---	------------------	-----------	---

**Table 23. I<sup>2</sup>C Read Sequence for RH or Temperature Conversion Result**

**Sequence to Read Conversion Result**

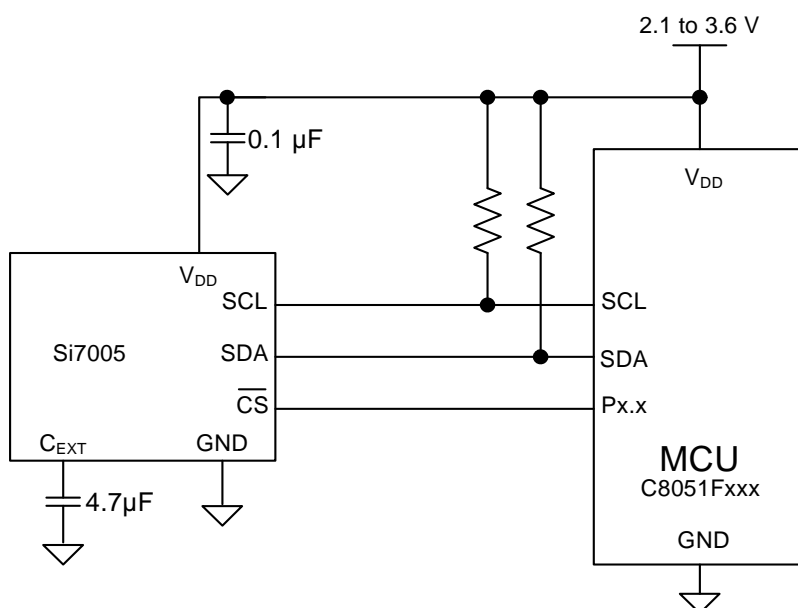
S	Slave Address	W	A	Address Pointer	A	Sr	Slave Address	R	A	Register 1 Data	A	Register 2 Data	$\bar{A}$	P
---	---------------	---	---	-----------------	---	----	---------------	---	---	-----------------	---	-----------------	-----------	---

S	0x40	0	A	0x01	A	Sr	0x40	1	A	Data H	A	Data L	$\bar{A}$	P
---	------	---	---	------	---	----	------	---	---	--------	---	--------	-----------	---



## 6. Si7005 Connection Diagrams

The Si7005 is a simple-to-use device requiring a minimum of external components. Figure 9 shows the typical connection diagram for the Si7005 connected to an MCU. (Refer to section “8. Pin Descriptions: Si7005” for full pin descriptions). The values for the two I<sup>2</sup>C pull-up resistors depend on the capacitance of the I<sup>2</sup>C bus lines and the desired speed of operation. Refer to the I<sup>2</sup>C specification for further details. In this diagram  $\overline{CS}$  is shown controlled by the MCU, allowing the Si7005 to be placed in standby mode when not in use. A detailed schematic and bill-of-materials for this circuit can be found in section “2. Typical Application Circuits” and section “3. Bill of Materials”.



**Figure 9. Typical Connection Diagram**

For ultra-low-power operation, such as in battery-powered applications, connection as shown in Figure 10 is recommended. In this case, the Si7005 is powered from one of the MCU’s GPIOs. The GPIO can be driven high to powerup the Si7005, once the measurement results are obtained, the GPIO can be driven low to power-down the Si7005, reducing its current consumption to zero. The GPIO must be capable of sourcing 320  $\mu$ A for the duration of the conversion time (<200 ms for relative humidity and temperature conversions) and up to 40 mA for a period of 5 ms at power-up. The GPIO must also be capable of sinking up to 40 mA for a period of 5 ms at powerdown. The purpose of the 15  $\Omega$  resistor is to isolate the Si7005 from potential high-frequency switching noise present on the MCU GPIO. A detailed schematic and bill-of-materials for this circuit can be found in section “2. Typical Application Circuits” and section “3. Bill of Materials”.

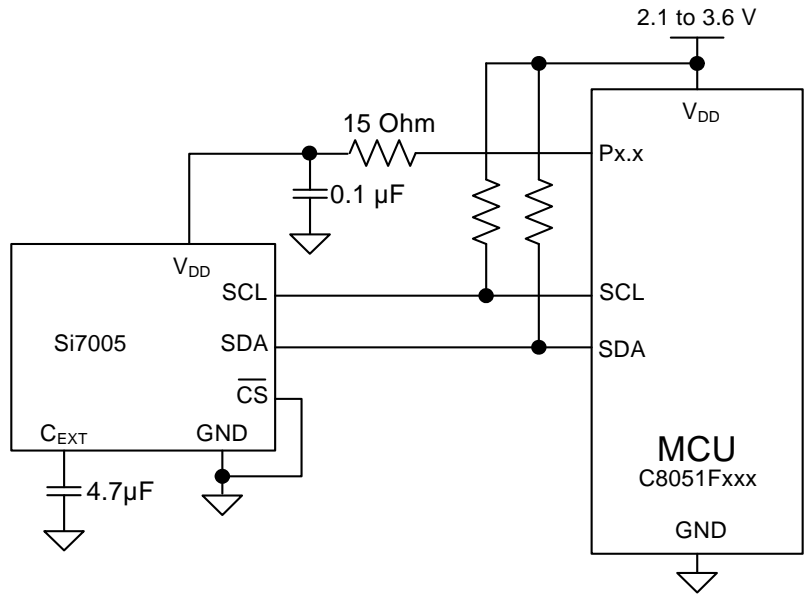


Figure 10. Recommended Connection Diagram for Low-Power Battery Operation

## 7. Control Registers

Table 24 contains a summary of the Si7005 register set. Each register is described in more detail below.

**Table 24. Si7005 Register Summary**

Register	Name	Bit 7	Bit 6	Bit 5	Bit 4	Bit 3	Bit 2	Bit 1	Bit 0
I <sup>2</sup> C Register Summary									
0	STATUS	RSVD	RSVD	RSVD	RSVD	RSVD	RSVD	RSVD	/RDY
1	DATAh	Relative Humidity or Temperature, High Byte							
2	DATAI	Relative Humidity or Temperature, Low Byte							
3	CONFIG	RSVD	RSVD	FAST	TEMP	RSVD	RSVD	HEAT	START
17	ID	ID3	ID2	ID1	ID0	0	0	0	0
<b>Notes:</b> <ol style="list-style-type: none"> <li>Any register address not listed here is reserved and must not be written.</li> <li>Reserved register bits (RSVD) must always be written as zero; the result of a read operation on these bits is undefined.</li> </ol>									

### 7.1. Register Detail (Defaults in Bold)

#### Register 0. STATUS

Bit	D7	D6	D5	D4	D3	D2	D1	D0
Name								/RDY
Type	R							

Reset Settings = 0000\_0001

Bit	Name	Function
7:1	Reserved	Reserved. Reads undefined.
0	/RDY	<b>Ready.</b> 0 = conversion complete; results available in DATAh:DATAI. 1 = conversion in progress.

# Si7005

## Register 1. DATAh

Bit	D7	D6	D5	D4	D3	D2	D1	D0
Name	Relative Humidity or Temperature, High Byte							
Type	R							

Reset Settings = 0000\_0000

Bit	Name	Function
7:0	DATAh	<b>Data, High Byte.</b> Eight most significant bits of a temperature or humidity measurement. See Table 14 or Table 16 for the measurement format.

## Register 2. DATAI

Bit	D7	D6	D5	D4	D3	D2	D1	D0
Name	Relative Humidity or Temperature, Low Byte							
Type	Read							

Reset Settings = 0000\_0000

Bit	Name	Function
7:0	DATAI	<b>Data, Low Byte.</b> Eight least significant bits of a temperature or humidity measurement. See Table 14 or Table 16 for the measurement format.

**Register 3. CONFIG**

Bit	D7	D6	D5	D4	D3	D2	D1	D0
Name			FAST	TEMP			HEAT	START
Type			R/W	R/W				R/W

Reset Settings = 0000\_0000

Bit	Name	Function
7:6	Reserved	Reserved. Reads undefined. Always write as zero.
5	FAST	<b>Fast Mode Enable.</b> 0 = 35ms (typical) 1 = 18ms (typical)
4	TEMP	<b>Temperature Enable.</b> 0 = Relative humidity 1 = Temperature
3:2	Reserved	Reserved. Reads undefined. Always write as zero.
1	HEAT	<b>Heater Enable.</b> 0 = heater off 1 = heater on
0	START	<b>Conversion Start.</b> 0 = do not start a conversion 1 = start a conversion

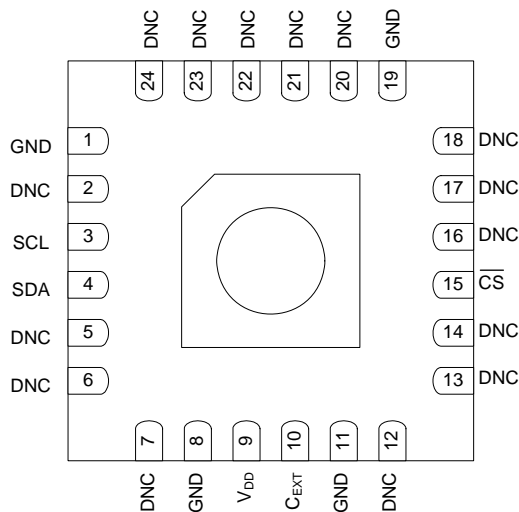
**Register 17. ID**

Bit	D7	D6	D5	D4	D3	D2	D1	D0
Name	ID7	ID6	ID5	ID4	ID3	ID2	ID1	ID0
Type	R	R	R	R	R	R	R	R

Reset Settings = 0101\_0000

Bit	Name	Function
7:0	ID	<b>Identification.</b> See section "5.1.5. Device Identification".

## 8. Pin Descriptions: Si7005



**Table 25. Pin Descriptions**

Pin #	Pin Name	Pin Type*	Description
1, 8, 11, 19	GND	G	<b>Ground.</b>
2, 5–7, 12–14, 16–18, 20–24	DNC		<b>Do Not Connect.</b> Do not connect any of these pins to supply, ground or any other signal. Internal pull-ups or pull-downs will prevent any of these pins from floating.
3	SCL	I	<b>I<sup>2</sup>C Clock Signal.</b> This pin is voltage-tolerant. See Table 2.
4	SDA	I/O	<b>I<sup>2</sup>C Data Signal.</b> This pin is voltage-tolerant. See Table 2.
9	V <sub>DD</sub>	S	<b>V<sub>DD</sub> Power Supply (2.1 V ≤ V<sub>DD</sub> ≤ 3.6 V).</b>
10	C <sub>EXT</sub>	I	<b>Decoupling Input for Internal Circuitry.</b> Connect a 4.7 μF capacitor between this pin and GND.
15	$\overline{\text{CS}}$	I	<b>Chip Select—Active Low Signal.</b>
Epad	T <sub>GND</sub>	G	<b>Thermal Paddle.</b> This pad is connected to GND internally. The pad can be connected to GND externally or it can be left open-circuit and used as a thermal input to the on-chip temperature sensor.

\***Note:** G = Ground, S = Power Supply, I = Digital Input, O = Digital Output, I/O = Input/Output.

## 9. Ordering Guide

Table 26. Si7005 Device Ordering Guide

P/N	Description	Typ. Accuracy		Pkg	Operating Range (°C)	Filter Cover	Packing Format
		Temp	RH				
Si7005-B-FM1	Digital temperature/humidity sensor	±0.5 °C	±3%	QFN-24	0 to 70 °C	Y	Cut Tape
Si7005-B-GM1	Digital temperature/humidity sensor	±0.5 °C	±3%	QFN-24	-40 to +85 °C	Y	Cut Tape
Si7005-B-FMR	Digital temperature/humidity sensor	±0.5 °C	±3%	QFN-24	0 to 70 °C	N	Tape-and-reel
Si7005-B-FM1R	Digital temperature/humidity sensor	±0.5 °C	±3%	QFN-24	0 to 70 °C	Y	Tape-and-reel
Si7005-B-GMR	Digital temperature/humidity sensor	±0.5 °C	±3%	QFN-24	-40 to +85 °C	N	Tape-and-reel
Si7005-B-GM1R	Digital temperature/humidity sensor	±0.5 °C	±3%	QFN-24	-40 to +85 °C	Y	Tape-and-reel
Si7005-B-FM	Digital temperature/humidity sensor	±0.5 °C	±3%	QFN-24	0 to 70 °C	N	Tube
Si7005-B-GM	Digital temperature/humidity sensor	±0.5 °C	±3%	QFN-24	-40 to +85 °C	N	Tube
Si7005USB-DONGLE	USB demonstration/evaluation board						
Si7005-EVB	Si7005 daughter card with flex cable						
Si7005EVB-UDP	Si7005 UDP plug-in daughter card						
Si7005EVB-UDP-F960	Low-power data logger demo/development kit with C8051F960 MCU						

## 10. Package Outline

### 10.1. 24-Pin QFN

Figure 11 illustrates the package details for the Si7005. Tables 27 and 28 list the values for the dimensions shown in the illustration. There are two package variants with slightly different height dimensions. The two package variants are otherwise interchangeable.

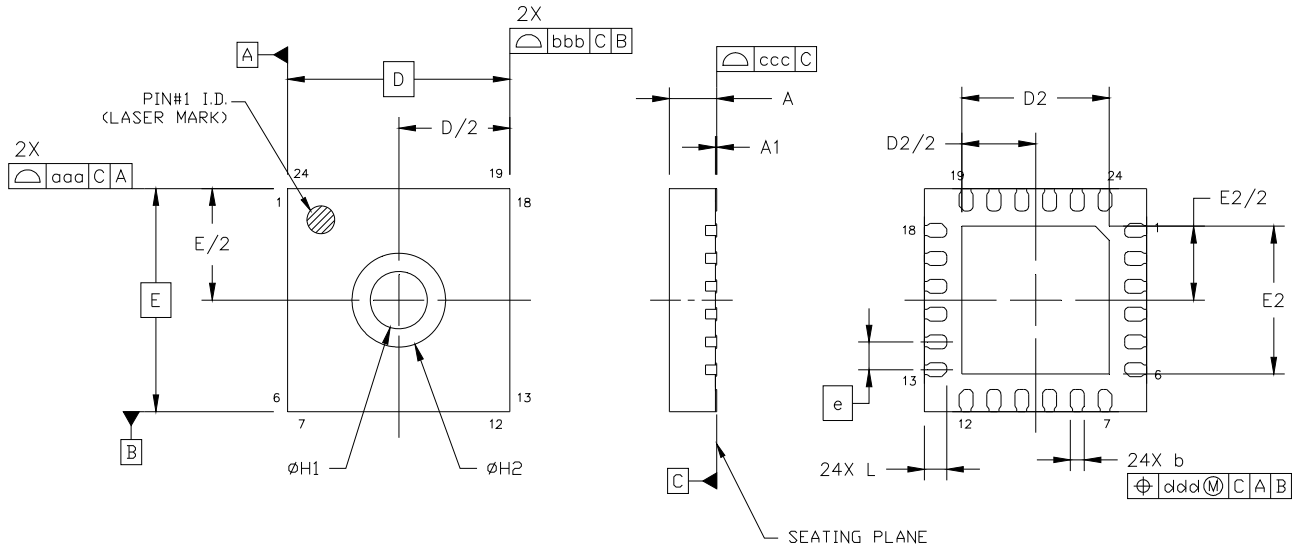


Figure 11. 24-Pin Quad Flat No Lead (QFN)

Table 27. 24-Pin Package Diagram Dimensions

Dimension	Min	Nom	Max
A1	0.00	0.02	0.05
b	0.18	0.25	0.30
D	4.00 BSC.		
D2	2.55	2.65	2.75
e	0.50 BSC.		
E	4.00 BSC.		
E2	2.55	2.65	2.75
H1	1.03	1.08	1.13
H2	1.68 REF		
L	0.30	0.35	0.40
aaa	—	—	0.15
bbb	—	—	0.15
ccc	—	—	0.08
ddd	—	—	0.10

**Notes:**

1. Dimensioning and Tolerancing per ANSI Y14.5M-1994.
2. Recommended card reflow profile is per the JEDEC/IPC J-STD-020 specification for Small Body Components.

Table 28. Package Variants

Dimension	Variant A			Variant B		
	Min	Nom	Max	Min	Nom	Max
A	0.80	0.90	1.00	0.70	0.75	0.80

**Note:** All Dimensions are in mm unless otherwise noted.



## 10.2. 24-Pin QFN with Protective Cover

Figure 12 illustrates the package details for the Si7005 with the optional protective cover. Tables 29 and 30 list the values for the dimensions shown in the illustration. There are two package variants with slightly different height dimensions. The two package variants are otherwise interchangeable.

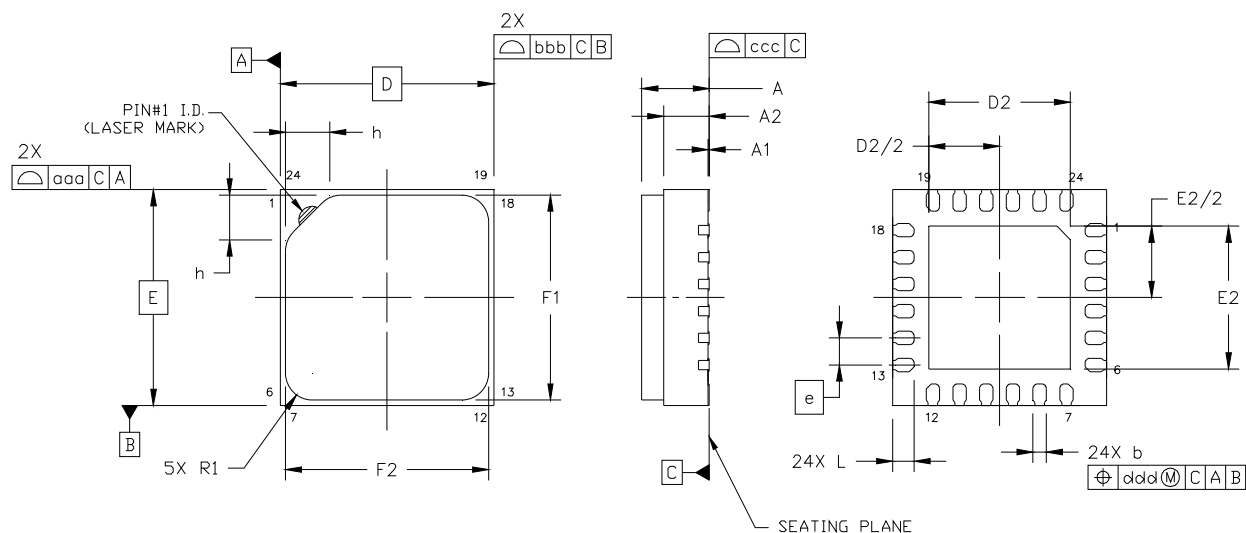


Figure 12. 24-Pin Quad Flat No Lead (QFN) With Protective Cover

Table 29. 24-Pin Package Diagram Dimensions

Dimension	Min	Nom	Max
A1	0.00	0.02	0.05
b	0.18	0.25	0.30
D	4.00 BSC.		
D2	2.55	2.65	2.75
e	0.50 BSC.		
E	4.00 BSC.		
E2	2.55	2.65	2.75
F1	3.70	3.80	3.90
F2	3.70	3.80	3.90

Dimension	Min	Nom	Max
h	0.76	0.83	0.90
L	0.30	0.35	0.40
R1	0.45	0.50	0.55
aaa	—	—	0.15
bbb	—	—	0.15
ccc	—	—	0.08
ddd	—	—	0.10

**Notes:**

1. Dimensioning and Tolerancing per ANSI Y14.5M-1994.
2. Recommended card reflow profile is per the JEDEC/IPC J-STD-020 specification for Small Body Components.

Table 30. Package Variants

Dimension	Variant A			Variant B		
	Min	Nom	Max	Min	Nom	Max
A	—	—	1.41	—	—	1.21
A2	0.80	0.90	1.00	0.70	0.75	0.80

**Note:** All Dimensions are in mm unless otherwise noted.

## 11. PCB Land Pattern and Solder Mask Design

Figure 13 illustrates the recommended PCB land pattern for use with the Si7005's 4x4 mm QFN package.



Figure 13. Typical QFN-24 PCB Land Pattern

Table 31. PCB Land Pattern Dimensions

Symbol	mm
C1	4.00
C2	4.00
E	0.50
P1	2.75
P2	2.75
X1	0.30
Y1	0.75

**Notes:****General**

1. All dimensions shown are at Maximum Material Condition (MMC). Least Material Condition (LMC) is calculated based on a Fabrication Allowance of 0.05 mm.
2. This Land Pattern Design is based on the IPC-7351 guidelines.

**Solder Mask Design**

3. All metal pads are to be non-solder mask defined (NSMD). Clearance between the solder mask and the metal pad is to be 60µm minimum, all the way around the pad.

**Stencil Design**

4. A stainless steel, laser-cut and electro-polished stencil with trapezoidal walls should be used to assure good solder paste release.
5. The stencil thickness should be 0.125 mm (5 mils).
6. The ratio of stencil aperture to land pad size should be 1:1 for all perimeter pins.
7. A 2x2 array of 0.95 mm square openings on 1.35 mm pitch should be used for the center ground pad.

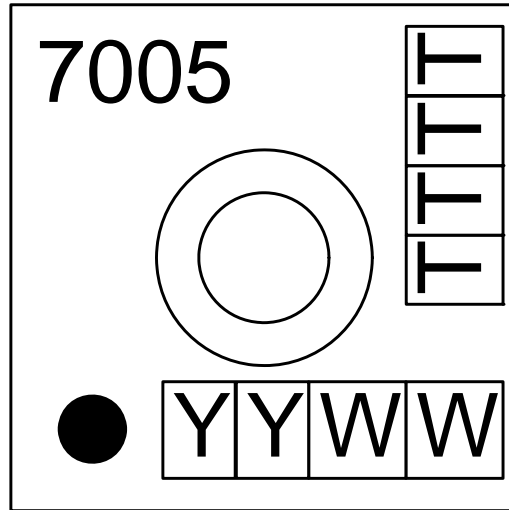
**Card Assembly**

8. A No-Clean, Type-3 solder paste is recommended.
9. The recommended card reflow profile is per the JEDEC/IPC J-STD-020 specification for Small Body Components.

# Si7005

## 12. Top Marking

### 12.1. Si7005 Top Marking



### 12.2. Top Marking Explanation

Location	Marking	Explanation
Upper Left	7005	Part Number
Upper Right	TTTT	Manufacturing trace code
Lower Left	(Dot)	Pin 1 Identifier
Lower Right	YYWW	Manufacturing date code YY = year WW = week

**Note:** The top mark may not be visible if the optional protective cover is installed. If needed, the device can be identified by reading the identification register as explained in section "5.1.5. Device Identification".

## 13. Additional Reference Resources

- Si7005USB Dongle User's Guide
- Si7005EVB-UDP User's Guide
- AN607: Si70xx Humidity Sensor Designer's Guide

## DOCUMENT CHANGE LIST

### Revision 0.1 to Revision 0.2

- Updated Table 2, “General Specifications\*,” on page 4.
- Updated Table 4, “Humidity Sensor,” on page 7.
  - New Note <sup>1</sup>.
- Added Table 6, “Thermal Characteristics,” on page 9.
- Updated Table 7, “Absolute Maximum Ratings<sup>1,2</sup>,” on page 9.
  - Updated max value for “Voltage on SDA or SCL pin with respect to GND” parameter.
- Updated Figure 2 on page 7.
- Updated Figure 3 on page 8.
- Updated “2.1.1. Steps to Perform Relative Humidity Measurement” on page 9.
- Updated Table 12, “14-Bit Temperature Result Available in Registers 1 and 2,” on page 10.
  - Revised title.
- Added “2.1.6. RSVD” on page 11.
- Updated “2.2. I2C Operation” on page 12.
- Updated Table 22, “I2C Read Sequence for a Single Register,” on page 24.
- Updated Table 23, “I2C Read Sequence for RH or Temperature Conversion Result,” on page 24.

### Revision 0.2 to Revision 0.9

- Updated Features/Applications/Description
- Added pinout drawing to front page
- Updated Electrical Specifications
- Clarified voltage tolerance of  $\overline{CS}$ , SDA, and SCL pins
- Updated Typical Application Circuits and BOMs
- Updated and expanded Functional Description
- Updated Host Interface
- Updated register descriptions
- Added drawing and photo of device with cover
- Updated and expanded Ordering Guide
- Expanded Additional Reference Resources

### Revision 0.9 to Revision 1.0

- Updated and expanded General Specification Table 2
- Updated and expanded General Specification Table 3
- Updated Figure 1.
- Updated Figure 2.
- Updated Bill of Materials

- Added Linearization Coefficients Table 10,11
- Updated Host Interface
- Updated I<sup>2</sup>C Operation
- Amended Connection Diagram
- Amended Ordering Guide
- Expanded Additional Reference Resources

### Revision 1.0 to Revision 1.1

- Updated Figures 2 and 3.
  - Clarified RH and temperature accuracy graphs.
- Updated Figure 7.
  - Replaced with black and white version.
- Updated “4.7 Soldering” to “4.7. PCB Assembly”.
- Updated Table 19, “Device ID Revision Values,” on page 22.
  - Corrected title.

### Revision 1.1 to Revision 1.2

- Updated Table 4, “Humidity Sensor,” on page 7.
  - Updated typical response time.
- Updated Table 7, “Absolute Maximum Ratings<sup>1,2</sup>,” on page 9.
  - Added ESD tolerance specs.

NOTES:

## CONTACT INFORMATION

### Silicon Laboratories Inc.

400 West Cesar Chavez  
Austin, TX 78701  
Tel: 1+(512) 416-8500  
Fax: 1+(512) 416-9669  
Toll Free: 1+(877) 444-3032

Please visit the Silicon Labs Technical Support web page:  
<https://www.silabs.com/support/pages/contacttechnicalsupport.aspx>  
and register to submit a technical support request.

### Patent Notice

Silicon Labs invests in research and development to help our customers differentiate in the market with innovative low-power, small size, analog-intensive mixed-signal solutions. Silicon Labs' extensive patent portfolio is a testament to our unique approach and world-class engineering team.

The information in this document is believed to be accurate in all respects at the time of publication but is subject to change without notice. Silicon Laboratories assumes no responsibility for errors and omissions, and disclaims responsibility for any consequences resulting from the use of information included herein. Additionally, Silicon Laboratories assumes no responsibility for the functioning of undescribed features or parameters. Silicon Laboratories reserves the right to make changes without further notice. Silicon Laboratories makes no warranty, representation or guarantee regarding the suitability of its products for any particular purpose, nor does Silicon Laboratories assume any liability arising out of the application or use of any product or circuit, and specifically disclaims any and all liability, including without limitation consequential or incidental damages. Silicon Laboratories products are not designed, intended, or authorized for use in applications intended to support or sustain life, or for any other application in which the failure of the Silicon Laboratories product could create a situation where personal injury or death may occur. Should Buyer purchase or use Silicon Laboratories products for any such unintended or unauthorized application, Buyer shall indemnify and hold Silicon Laboratories harmless against all claims and damages.

Silicon Laboratories and Silicon Labs are trademarks of Silicon Laboratories Inc.  
Other products or brandnames mentioned herein are trademarks or registered trademarks of their respective holders.



## X-ON Electronics

Largest Supplier of Electrical and Electronic Components

*Click to view similar products for [Daughter Cards & OEM Boards](#) category:*

*Click to view products by [Silicon Labs](#) manufacturer:*

Other Similar products are found below :

[ADZS-21262-1-EZEXT 27911](#) [MPC5777C-416DS](#) [KITMPC5744DBEVM](#) [SPC56ELADPT144S](#) [TMDXRM46CNCD](#) [DM160216](#)  
[MPC5777M-416DS](#) [EV-ADUCM350GPIOTHZ](#) [EV-ADUCM350-BIO3Z](#) [ATSTK521 1130](#) [MA160015](#) [MA180033](#) [MA240013](#) [MA240026](#)  
[MA320014](#) [MA330014](#) [MA330017](#) [TLK10034SMAEVM](#) [TMDSCNCD28054MISO](#) [MIKROE-2152](#) [MIKROE-2154](#) [MIKROE-2381](#)  
[TSSOP20EV](#) [DEV-11723](#) [MIKROE-1108](#) [MIKROE-1516](#) [SPS-READER-GEVK](#) [AC244049](#) [AC244050](#) [AC320004-3](#) [2077](#)  
[ATSMARTCARD-XPRO](#) [EIC - Q600 -230](#) [ATZB-212B-XPRO](#) [SPC560PADPT100S](#) [SPC560BADPT64S](#) [MA180018](#) [EIC - Q600 -220](#)  
[AC164134-1](#) [BOB-12035](#) [BB-BONE-BATT-01](#) [STM8/128-D/RAIS](#) [AC164127-6](#) [AC164127-4](#) [AC164134-3](#) [AC164156](#) [MA320021](#)  
[MA320024](#)