

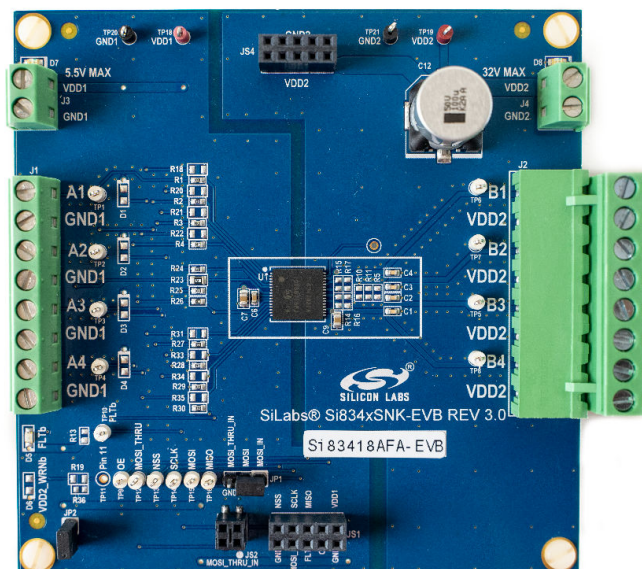
# UG390: Si834x-EVB User's Guide

The Si834x-IF provides up to four isolated high-side (sourcing) or low-side (sinking) switches with low  $R_{ON}$ . These switches are ideal for driving resistive and inductive loads such as solenoids, relays, and lamps commonly found in industrial control systems like PLCs. Each switch is galvanically isolated for safety using Silicon Laboratories' ground-breaking CMOS-based isolation technology which enables easy interfacing with low voltage 2.25 V MCUs and high CMTI (100 kV/μs).

The Si834x evaluation board allows designers to evaluate Silicon Labs' Si834x family of Isolated Smart Switches. Each board comes populated with one Si834x device, LED status indicators, pluggable load terminals for evaluation of the device's key parameters, and test points for monitoring device pins. SPI-enabled product options contain headers and sockets that enable SPI interfacing and a CP2130 evaluation kit for SPI control. Additional information on the Si834x products can be found at <https://www.silabs.com/products/isolation/industrial-io/si834x-isolated-smart-switches.html>. The product data sheet and application notes can be referenced to help facilitate designs.

## KEY FEATURES

- Si834x-based evaluation board populated with one of the following parts:
  - Si83404AAA
  - Si83414AAA
  - Si83408ADA
  - Si83418ADA
  - Si83408AFA
  - Si83418AFA
- Si834x8xxx products also contain:
  - CP2130 USB to SPI bridge
  - Micro-USB cable
  - 10-pin F-F ribbon cable
  - 10-pin M-M header



**Si834x EVB**

## 1. Test Procedure

If you have a SPI-enabled device and received a CP2130 with your evaluation kit, you will need to install the CP2130EK driver: [https://www.silabs.com/documents/public/software/CP2130\\_Windows.exe](https://www.silabs.com/documents/public/software/CP2130_Windows.exe). The CP2130 data sheet and user guide can be found at <https://www.silabs.com/products/development-tools/interface/cp2130ek-evaluation-kit> for additional information.

The procedure below assumes you are familiar with the Si834x device. If not, see [Section 2: Using the Evaluation Board](#) for key background information. Throughout this document, “sourcing” (or SRC) refers to Si8340x part numbers and their corresponding sourcing PCBs and “sinking” (or SNK) refers to Si8341x part numbers and their corresponding sinking EVBs.

In sections [1.2 Input Configuration](#), [1.5 Activate Channels](#), and [1.6 Repeat for Remaining Channels](#), instructions are separated for Parallel Input Interface and SPI Input Interface. If you are using the Si834x4AAA (sourcing or sinking) or the Si834x8AFA (sourcing or sinking), then follow the Parallel Input Interface instructions for these subsections. If you are using the Si834x8ADA (sourcing or sinking), then follow the SPI Input Interface instructions. Although the Si834x8AFA devices have SPI capabilities, the channel inputs are still controlled through the parallel input interface. See [Section 2: Using the Evaluation Board](#) for more details.

The following equipment is required to demonstrate the evaluation board features:

- Function generator for parallel input interface (optional)
- One dual-channel DC power supply or two single supplies: 0-5 V and 0-24 V
- One oscilloscope with at least 2 channels
- Four 10 k $\Omega$  through-hole resistors (1 minimum)
- Si834x-EVB kit (includes CP2130 for SPI-enabled devices)
- Si834x-EVB User's Guide (this document)
- PC with USB connection (for SPI-enabled devices)
- Assorted cables, leads, and probes as necessary to connect equipment to EVB

### 1.1 DC Supply Configuration

VDD1 supply configuration:

1. Set one supply to output 5 VDC.
2. Turn OFF the supply and connect the positive lead to VDD1 (J3 pin1 or TP18).
3. Connect the negative lead to GND1 (J3 or TP20).
4. Turn ON the supply.
5. Ensure that LED D7 turns on and that LED D5 is blinking (this indicates there is no VDD2 supply).
6. Ensure that the current draw is less than 25 mA. If it is larger, this indicates that either the board or Si834x has been damaged or that the supply is connected backwards.

VDD2 supply configuration:

1. Set the second supply to output 24 VDC.
2. Turn OFF the supply and connect the positive lead to VDD2 (J4 pin1 or TP19).
3. Connect the negative lead to GND2 (J4 or TP21).
4. Turn ON the supply.
5. Ensure that LED D8 turns on and that LED D5 turns off.
6. Ensure that the current draw is less than 25 mA. If it is larger, this indicates that either the board or the Si834x has been damaged or that the supply is connected backwards.

## 1.2 Input Configuration

There are two primary input interface types for the Si834x product family: parallel and SPI. For all devices that have parallel or parallel/SPI input interfaces, the inputs are controlled manually using the input channels A1-A4. For devices that are SPI only, the inputs are controlled by sending SPI commands via the CP2130 USB to SPI bridge.

Devices with parallel input interface:

1. Turn ON the function generator with the output disabled.\*
2. Adjust the output to provide a 100 Hz, 0 to 5 V peak square wave with 50% duty cycle.
3. Connect the positive lead of the generator to A1 (J1 pin1 or TP1) and ground the connection to GND1 (J1, J3, or TP20).
4. If possible, configure the function generator for a High-Z (high impedance) load.

**Note:** If you do not have a waveform generator, or prefer not to use one, you may simply apply 5 V to the input channels on the Si834x to observe the output channel coming on. The proper configuration is shown in the figures below.

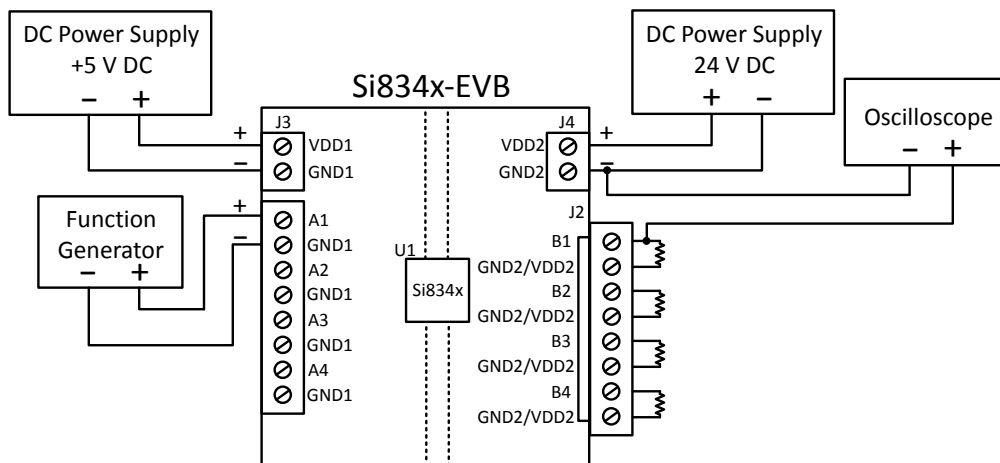


Figure 1.1. Configuration for Parallel Input Interface

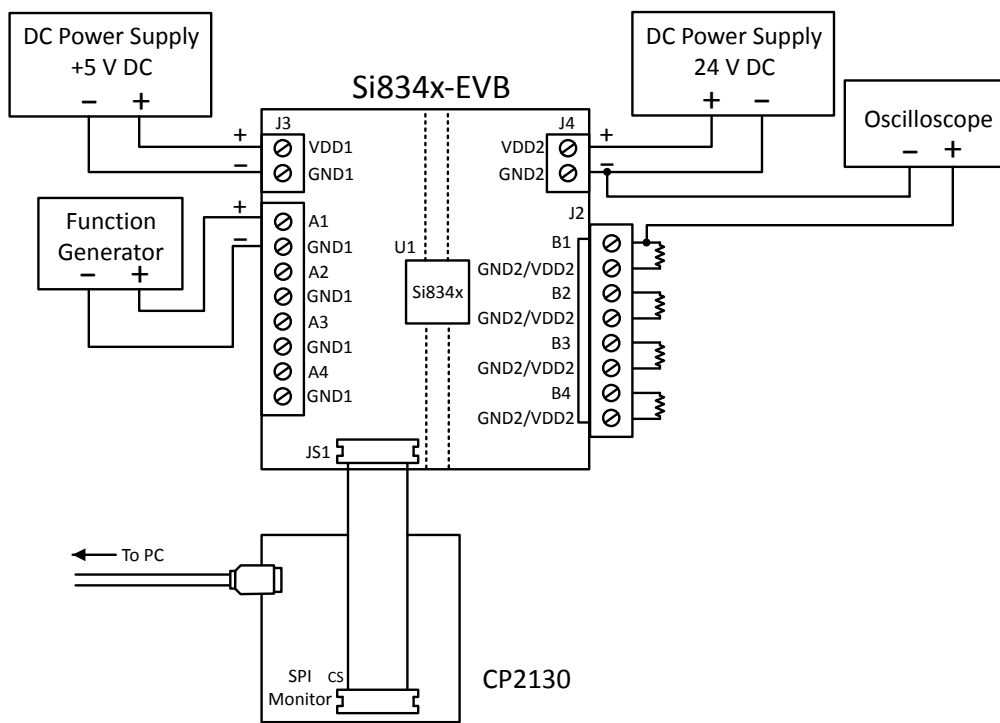
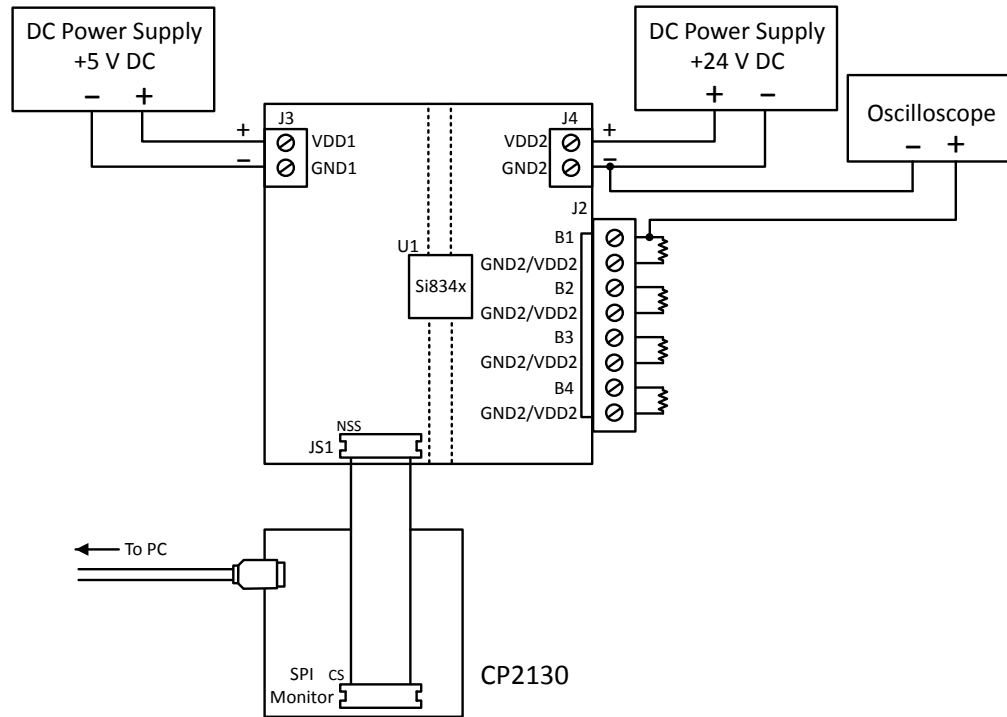


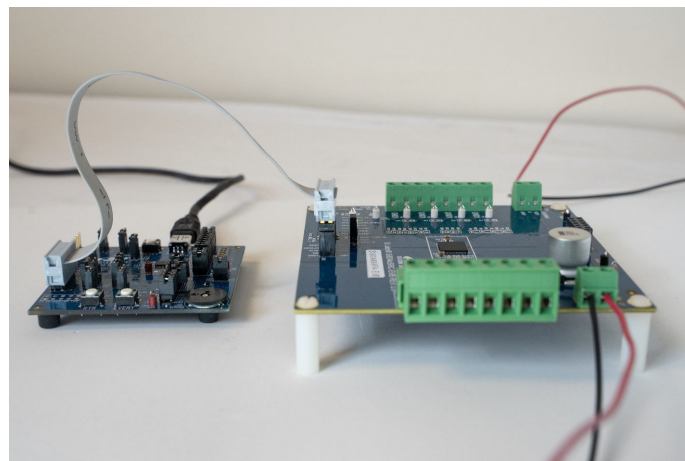
Figure 1.2. Configuration for Parallel Input Interface with SPI Capabilities

Devices with SPI input interface:

1. Connect the CP2130 to your PC using the micro-USB cable included with the kit.
2. Connect the CP2130 to the Si834x-EVB using the ribbon cable provided.
  - a. Place the 10-pin M2M header included in the kit into one end of the ribbon cable.
  - b. Connect this end of the cable to JS1 on the Si834x-EVB.
  - c. Connect the other end of the cable to the 10-pin header on the CP2130 labeled SPI MONITOR.
  - d. Ensure that the pin labeled CS on the SPI MONITOR header is aligned with the pin labeled NSS on JS1 of the EVB. This can be done by ensuring that the red wire on the cable is located on the same side of the headers as the CS and NSS pins.



**Figure 1.3. Configuration for SPI Input Interface**



**Figure 1.4. Connection between CP2130 and Si834x EVB**

3. Load the CP2130 Evaluation Tool installed with the driver above.
4. In the "Connection" box, the "Choose device:" dropdown should already be populated with the address of the CP2130 plugged into the PC. If it is not, disconnect the CP2130 and reconnect it.
5. Select "Connect". Ensure that D10 of the CP2130 flashes green to indicate a good connection.

6. Configure the CP2130 as follows:

- a. Set the SPI Transfer Type to WriteRead
- b. In Test Configuration, set the Total Bytes to 3 and the Timeout to 1000 ms.
- c. In SPI Parameters, set the Phase to Trailing Edge, Polarity to Active Low, Chip Select Mode to Push-Pull, and Clock Frequency to 375 kHz. Change Chip Select to 0, check the Toggle CS box, check the Inter-Byte Delay box and enter 1 in the adjacent box.
- d. Finally, set Data Transfer to Text Box and ensure that the Display box is checked next to Receive Data.
- e. Your settings should look like [Figure 1.5 CP2130 Configuration Window](#) on page 5 when complete:

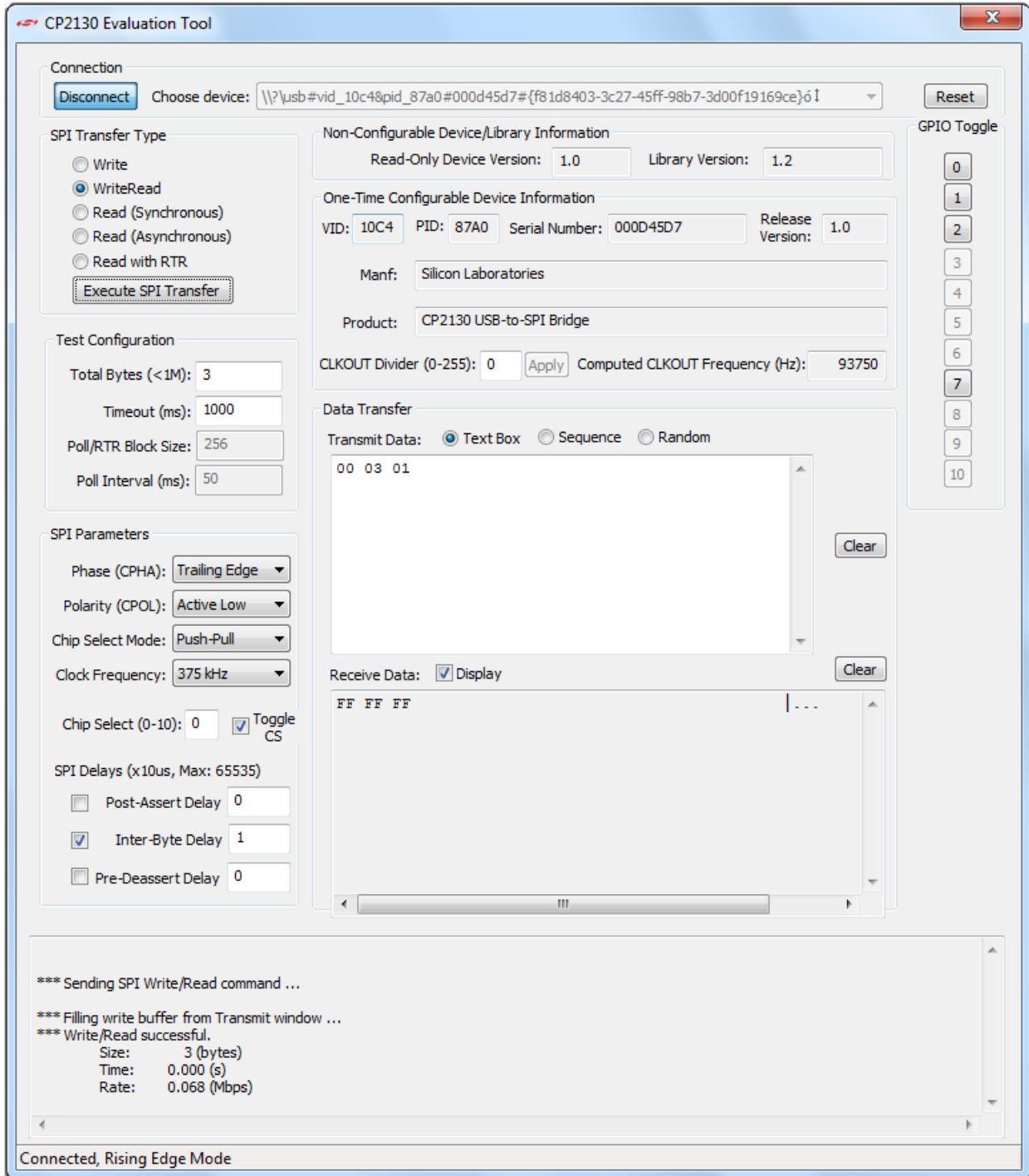


Figure 1.5. CP2130 Configuration Window

### 1.3 Load Configuration

1. Turn OFF the 24 VDC power supply.
2. Connect a 10 k $\Omega$  resistor to channel B1 by placing one lead in the first slot of the terminal block (J2) and screwing it down. Place the other lead in the second slot (J2) and screw it down. This connection is the same for both SRC and SNK EVBs.
3. Populate channels B2, B3, and B4 with the remaining resistors.
4. Turn ON the 24 V supply.

### 1.4 Oscilloscope Setup

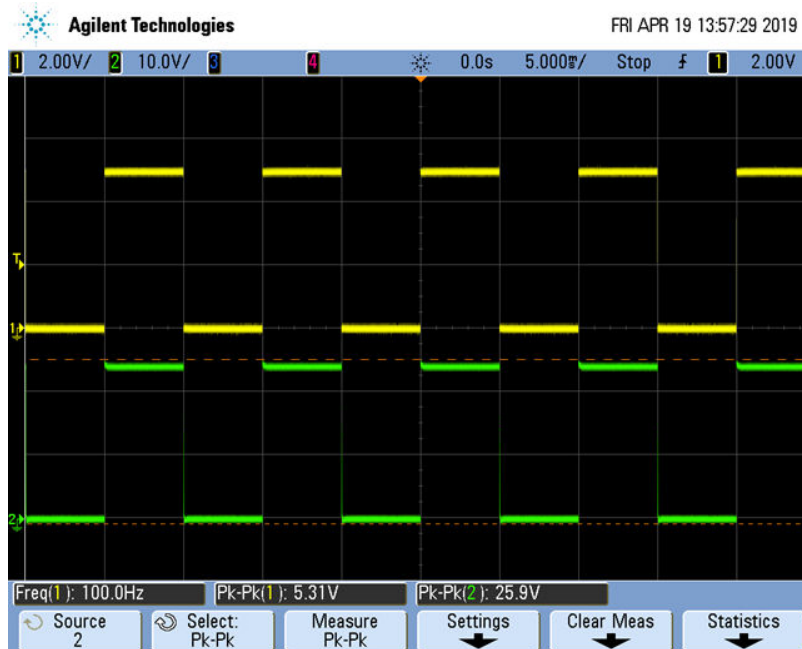
1. Parallel input only: connect the CH1 probe to A1 (TP1) and ground the probe to GND1 (TP20).
2. Connect the CH2 probe to B1 (TP6) and ground the probe to GND2 (TP21).
3. Set the scope to Trigger on a rising edge on CH1 and adjust the trigger level to approximately 2 V.
4. Set CH1 to 2 V per division and CH2 to 10 V per division.
5. Adjust the horizontal zoom to 500  $\mu$ s per division.

### 1.5 Activate Channels

#### Devices with parallel input interface:

1. Enable the function generator output on channel A1, or apply 5 V directly.
2. Ensure that D1 turns on (Si834x4AAA-EVBs only).
3. Adjust the vertical and horizontal divisions to properly view the waveform as seen in the image below.

For parallel input devices, a 100 Hz square wave with 50% duty cycle should appear on Channel 1, and a similar waveform with peak voltage of 24 V should appear on Channel 2. Note that the output waveform in the figure below is for a sourcing device, and the polarity will be opposite for sinking devices.



#### Devices with SPI input interface:

1. In the CP2130 Evaluation Tool, enter the command **00 03 01** in the textbox.
2. Press Execute SPI Transfer.
3. Ensure that D1 turns on. On the oscilloscope, B1 should appear as a line of magnitude 24 V (SRC) or 0 V (SNK).

## 1.6 Repeat for Remaining Channels

### Devices with parallel input interface:

1. Disable the function generator output.
2. Connect the CH1 probe to A2 (TP2).
3. Connect the CH2 probe to B2 (TP7).
4. Connect the positive lead of the function generator to A2 (TP2).
5. Enable the function generator.
6. Ensure that LED D2 turns on (Si834x4AAA-EVBs only).
7. Repeat steps 1-5 with channels A3 and A4 using test point TP3 for A3, TP5 for B3, TP4 for A4, and TP8 for B4.

### Devices with SPI input interface:

1. In the Evaluation Tool, enter the command **00 01 00** and Execute SPI Transaction to disable channel A1.
2. Connect the CH2 probe to B2 (TP7).
3. Enter the command **00 01 02** and Execute SPI Transaction to enable channel A2.
4. Ensure that D2 turns on.
5. Connect the CH2 probe to B3 (TP5).
6. Enter the command **00 01 04** and Execute SPI Transaction to enable channel A3.
7. Ensure that D3 turns on.
8. Connect the CH2 probe to B4 (TP8).
9. Enter the command **00 01 08** and Execute SPI Transaction to enable channel A4.
10. Ensure that D4 turns on.

## 2. Using the Evaluation Board

The Si834x-EVB comes populated with one of four different Si834x devices that require different input types and load configurations. This section will explain those differences and how to configure your setup to properly utilize the evaluation board.

**Table 2.1. Si834x Input and Output Configurations**

| Part Number | Input Interface | Switch Type     | Load Terminals | PCB                   |
|-------------|-----------------|-----------------|----------------|-----------------------|
| Si83404AAA  | Parallel        | High-Side (SRC) | Bn and GND2    | Si834xSRC-EVB Rev 2.0 |
| Si83414AAA  | Parallel        | Low-Side (SNK)  | Bn and VDD2    | Si834xSNK-EVB Rev 2.0 |
| Si83408ADA  | SPI             | High-Side (SRC) | Bn and GND2    | Si834xSRC-EVB Rev 3.0 |
| Si83418ADA  | SPI             | Low-Side (SNK)  | Bn and VDD2    | Si834xSNK-EVB Rev 3.0 |
| Si83408AFA  | Parallel/SPI    | High-Side (SRC) | Bn and GND2    | Si834xSRC-EVB Rev 3.0 |
| S83418AFA   | Parallel/SPI    | Low Side (SNK)  | Bn and VDD2    | Si834xSNK-EVB Rev 3.0 |

### 2.1 Load Termination

Sourcing parts utilize high side switches that require the load to be connected from the channel output (Bn) to GND2. Sinking parts contain a low side switch that require the load to instead be connected from output (Bn) to VDD2. The output-side screw terminals (J2) on the sourcing EVBs contain connections to GND2, while the sinking EVBs contain connections to VDD2. This allows J2 pins 2, 4, 6, and 8 to be used for load termination on both the sourcing and sinking evaluation boards.

### 2.2 Inputs to the Device

Depending on the part number of your product, the channel inputs will be supplied either through a parallel digital interface or by a SPI controller.

**Parallel Input:** The Si834x4AAA and Si834x8AFA products require the user to directly apply an input voltage to enable and disable the channels. The input-side screw terminals (J1) contain connections to the channel inputs and GND1, allowing the user to apply an input by connecting the input source to adjacent pins in the terminal.

**SPI Input:** The Si834x8ADA products are SPI-enabled devices that require a master device to send commands that enable or disable the channels. The female header JS1 serves as the SPI port for the onboard device and contains connections to the device's SPI pins such as OE, CLR, MOSI, and MISO. A detailed pinout can be found in the schematics in [Section 3](#).

**Parallel Input with SPI Capabilities:** The Si834x8AFA products have parallel input interface but also have SPI capabilities that allow the user to read and write to registers that contain diagnostic information and provide configurability. To utilize these SPI capabilities in conjunction with the parallel input, the user should configure the EVB setup as shown in [Figure 1.2 Configuration for Parallel Input Interface with SPI Capabilities on page 3](#). The example commands in [Section 2.4: Basic SPI Commands](#) that enable or disable the channels will simply read back the status of the channels instead of enabling or disabling.



### 2.3 Daisy Chaining SPI Devices

The SPI-enabled devices can be daisy chained to allow a single master to send commands to multiple slaves. Outlined below are the steps necessary to properly configure the EVBs to enable the daisy chain functionality of the devices.

#### MOSI Jumper Configuration:

There are two MOSI inputs for each SPI-enabled device: MOSI\_IN and MOSI\_THRU\_IN. The user can select from these inputs by moving a jumper across the appropriate pins on JP1. The jumper is placed across MOSI\_IN by default and should remain there if the device is being used as the 0<sup>th</sup> device (first slave) in the chain. Each device in the chain passes the master command to the next device after decrementing the chip address by 1. Therefore, all EVBs behind the 0<sup>th</sup> device (top board) in the chain should have JP1 configured to pass the MOSI\_THRU\_IN signal to the device. In general, follow these rules:

1. For the 0<sup>th</sup> device, ensure that JP1 is placed on MOSI and MOSI\_IN, and that JP2 is populated.
2. For subsequent devices, move JP1 to connect MOSI\_THRU\_IN and remove JP2.

#### Fault LED Jumper Configuration:

The fault (FLT) LED indicator is connected to the Si834x device through JP2 on the EVB. The jumper is populated by default and removing it will disable the LED. In a daisy chain configuration, the FLT pin of all devices are tied together to drive the fault LED indicator on the top board. Therefore, the LED indicators must be disabled on all boards but the top one. In general, JP2 should be removed to disable this indicator on all boards beneath the top board.

#### Stacking the EVBs:

The Si834x-EVB has been designed to allow the user to stack multiple evaluation boards on top of one another to form a compact chain. The boards will be daisy chained in ascending order from top to bottom, with the 0<sup>th</sup> device on the top. Follow these steps to stack multiple evaluation boards:

1. Remove the four nylon standoffs from the board that will be placed underneath the stack as the next device in the daisy chain.
2. Align headers from top to bottom as such: JS1 to JS1, JS3 to JS2, and JS4 to JS4. Note that JS3 is the male header located directly beneath JS2.
3. Press the top board down until all three headers are firmly in place. Guide the male end of the standoffs on the top board into the mounting holes of the bottom board.
4. Return the four standoffs to the bottom board, using the screws extending from the standoffs above to secure them into place.

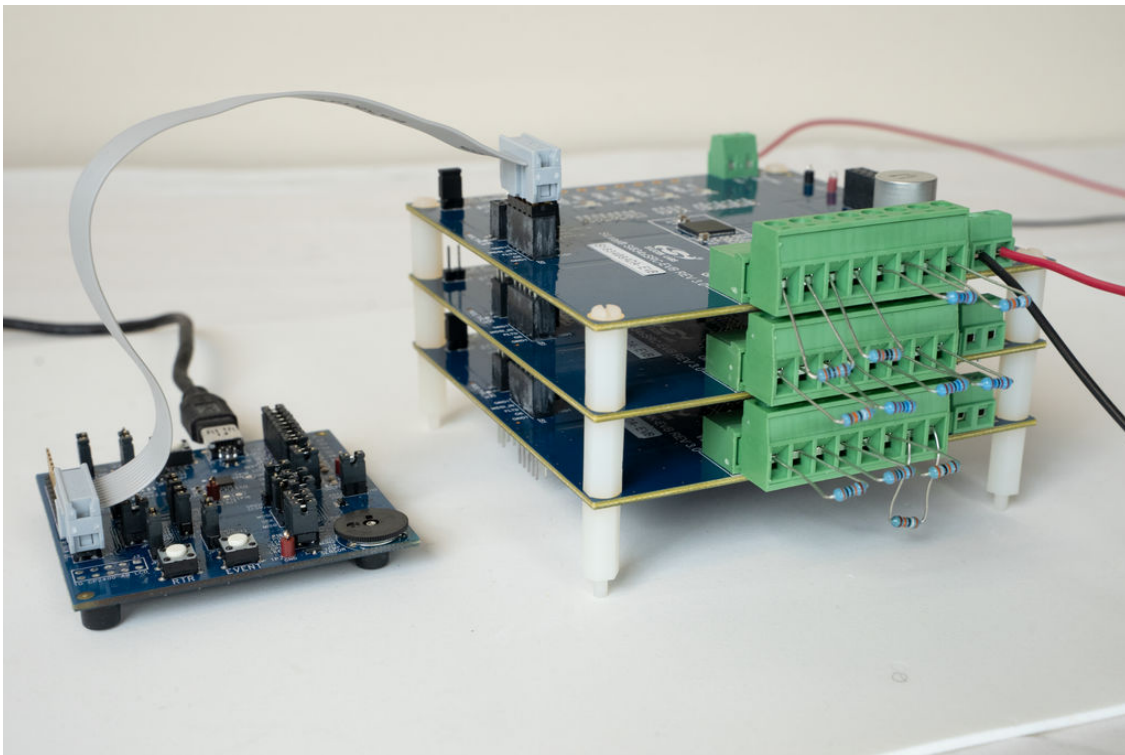


Figure 2.1. Si834x-EVB Stack Diagram

## 2.4 Basic SPI Commands

This section provides basic SPI commands that can be used to interface with the SPI-enabled devices. For a detailed overview of the SPI capabilities of the Si834x, refer to the [Si834x data sheet](#).

**Table 2.2. Basic SPI Commands**

| Command Description                              | Command         | Read/Write | Register    |
|--|-----------------|------------|-------------|
| Enable channels A1-A4 <sup>1</sup>               | <b>00 03 0F</b> | W          | SWITCH_EN   |
| Disable channels A1-A4 <sup>1</sup>              | <b>00 03 00</b> | W          | SWITCH_EN   |
| Read channel status                              | <b>40 03 00</b> | R          | CHAN_STATUS |
| Read master diagnostics                          | <b>40 00 00</b> | R          | MASTER_DIAG |
| Read diagnostics for channels B1/B2              | <b>40 01 00</b> | R          | DIAG_B21    |
| Read diagnostics for channels B3/B4              | <b>40 02 00</b> | R          | DIAG_B43    |
| Read diagnostics on second device in daisy chain | <b>50 00 00</b> | R          | DIAG_B21    |
| Clear all faults on third device in daisy chain  | <b>08 05 0F</b> | W          | CLR_DIAG    |

**Note:**

1. Si834x8ADA devices only.

### 3. Evaluation Board Schematics

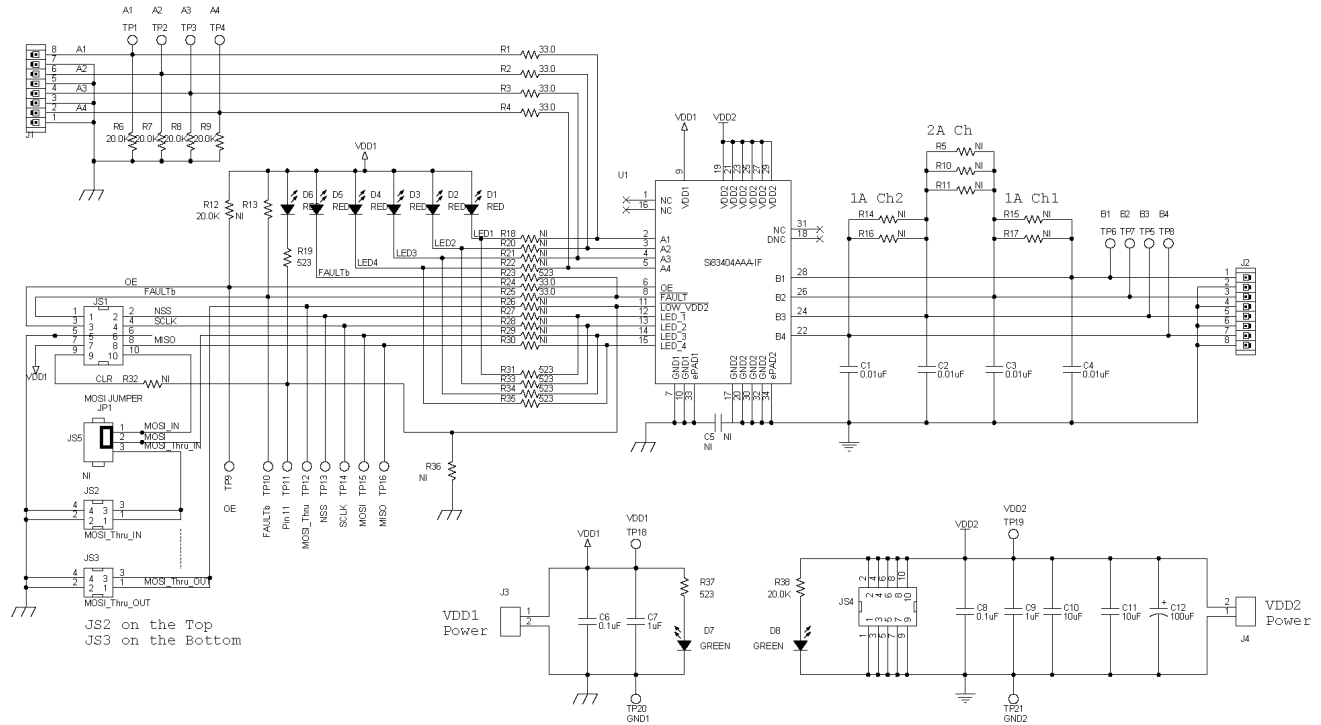


Figure 3.1. Si83404AAA Schematic Diagram

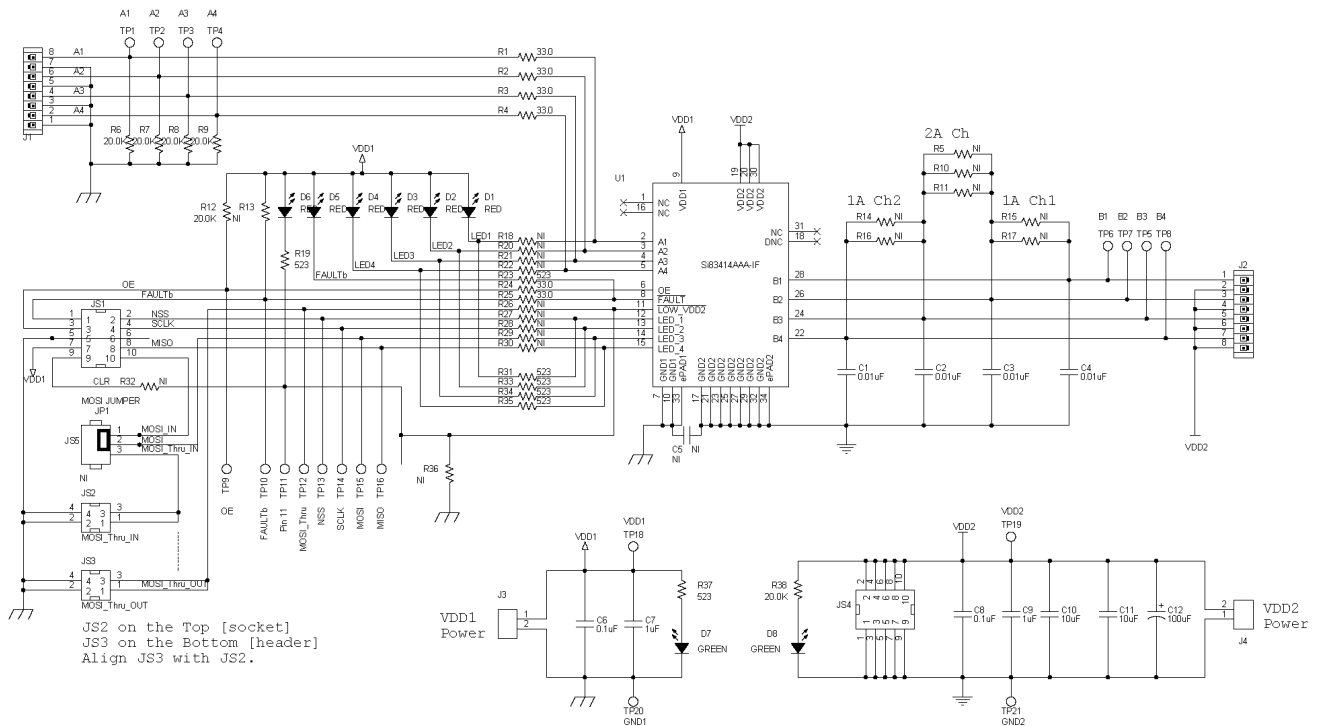


Figure 3.2. Si83414AAA Schematic Diagram

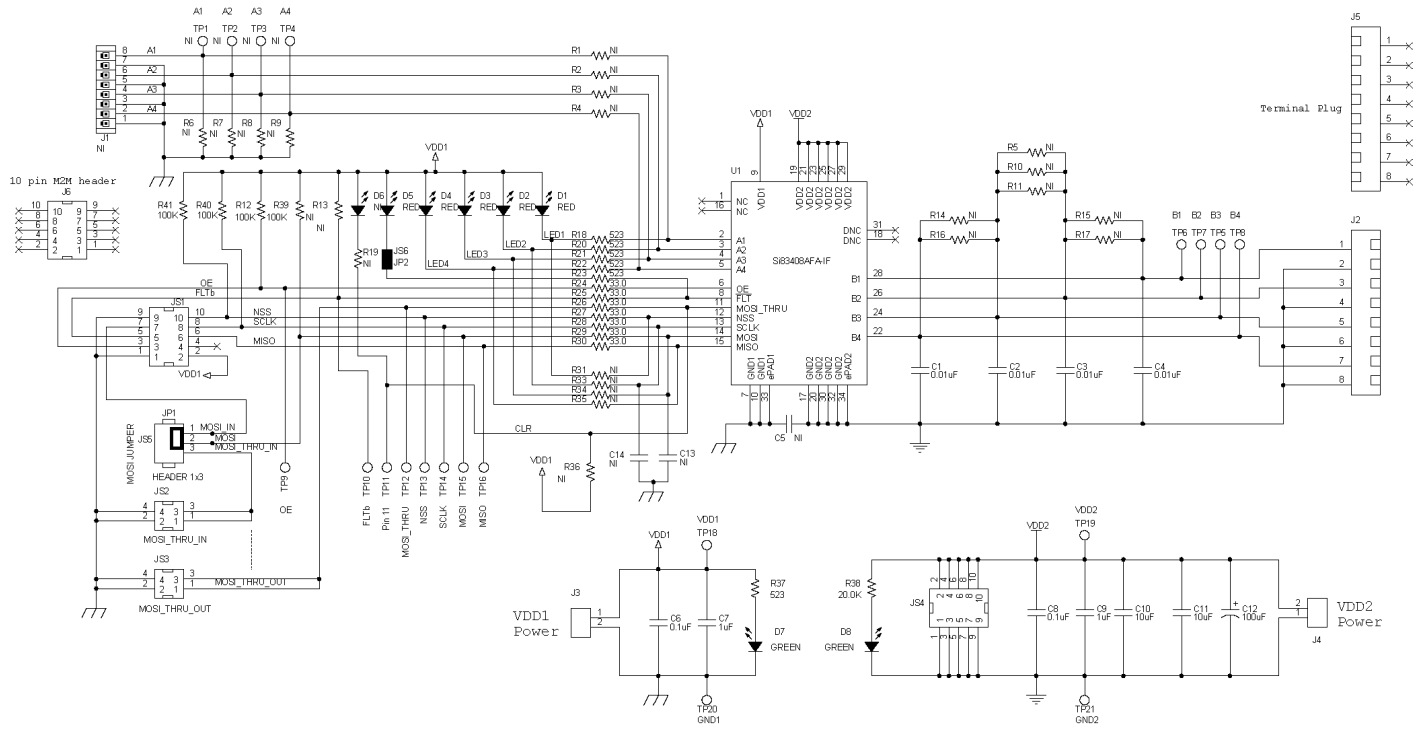


Figure 3.3. Si83408ADA Schematic Diagram

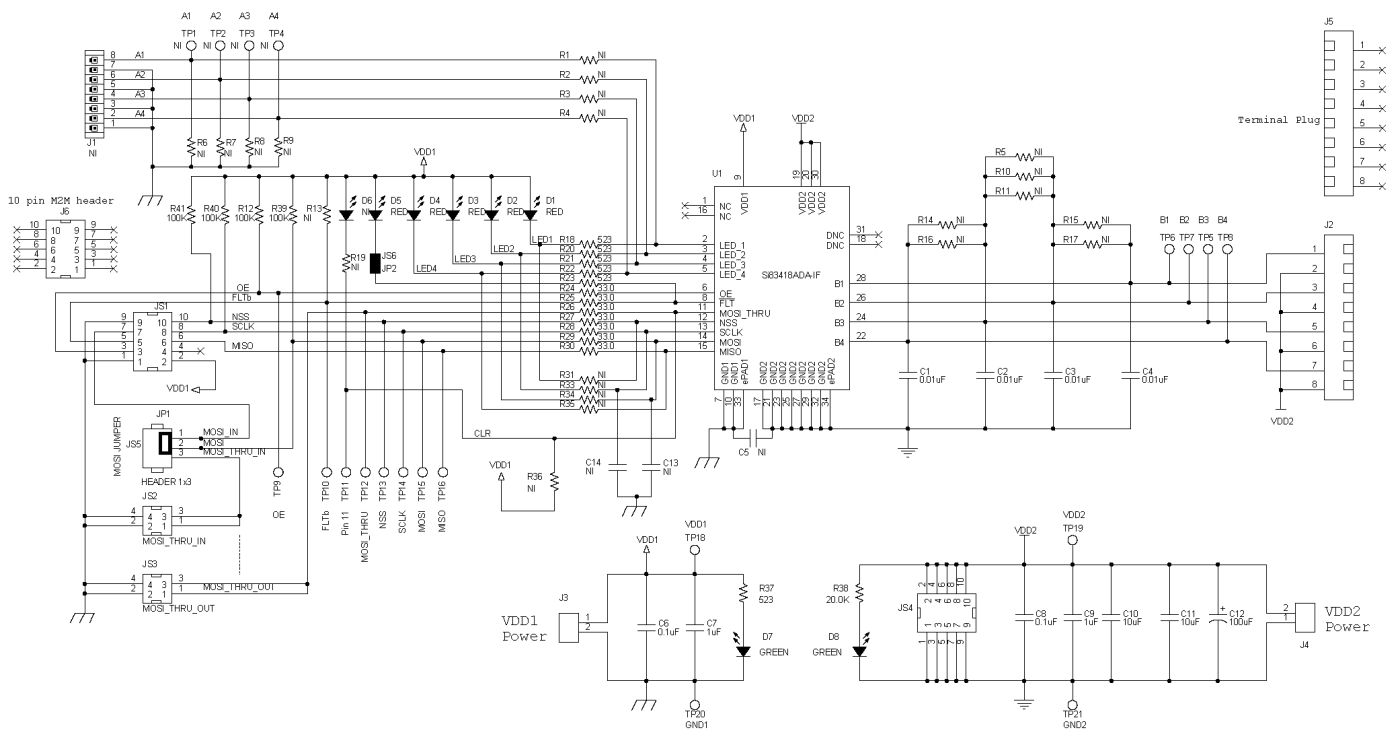


Figure 3.4. Si83418ADA Schematic Diagram

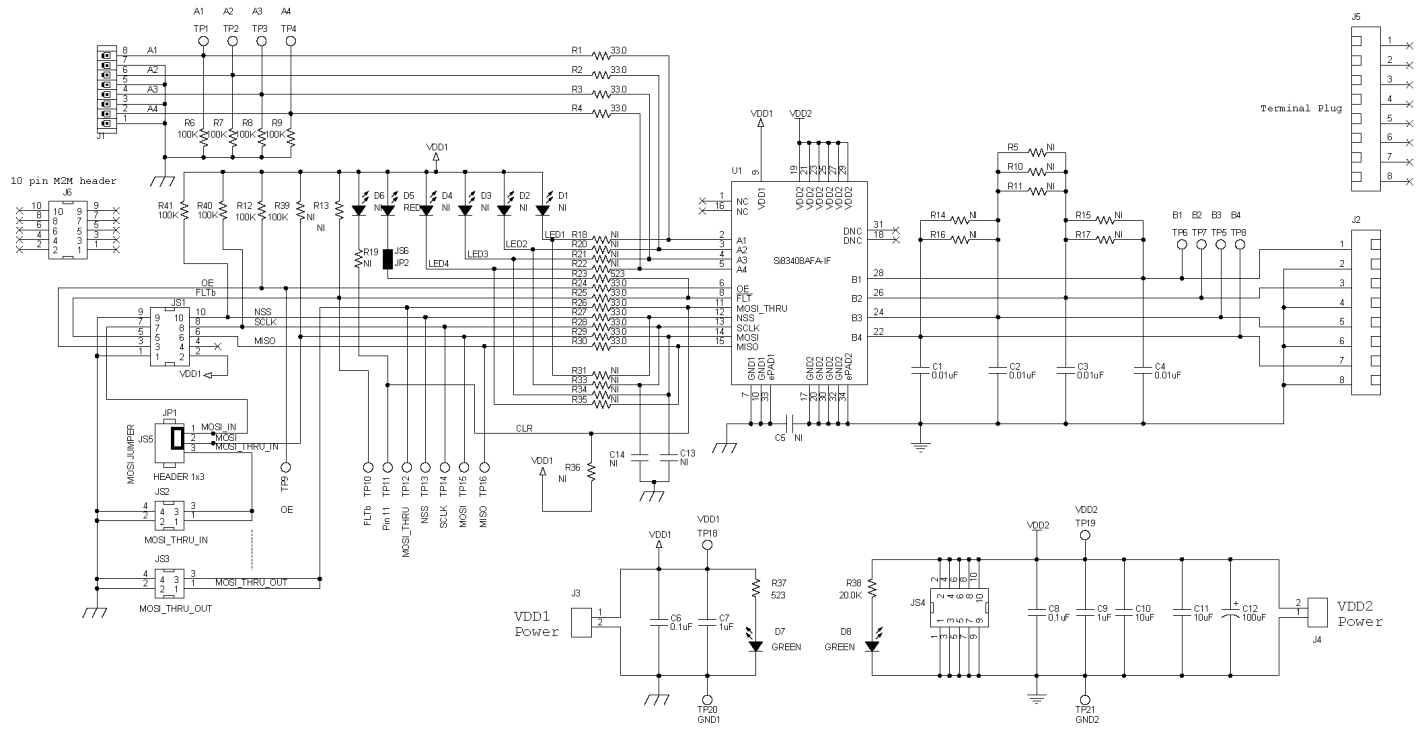


Figure 3.5. Si83408AFA Schematic Diagram

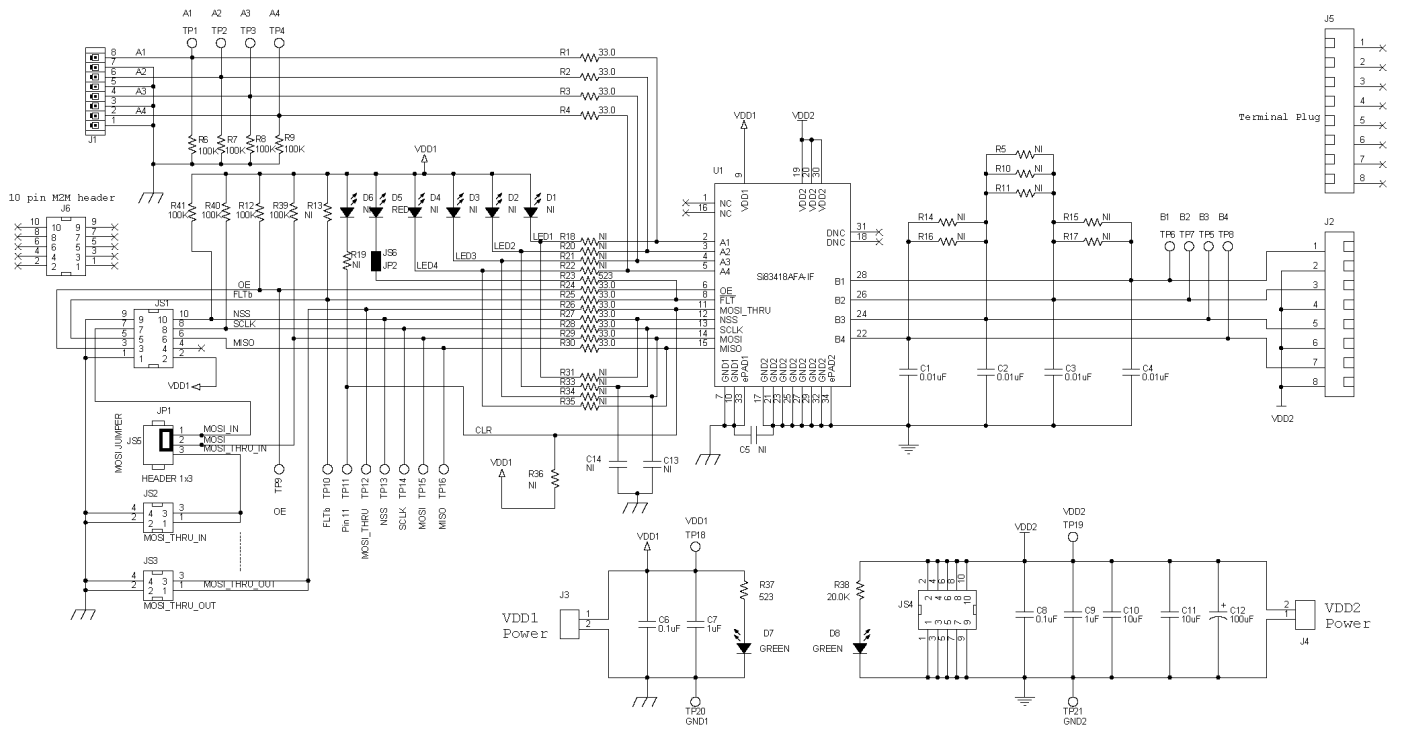


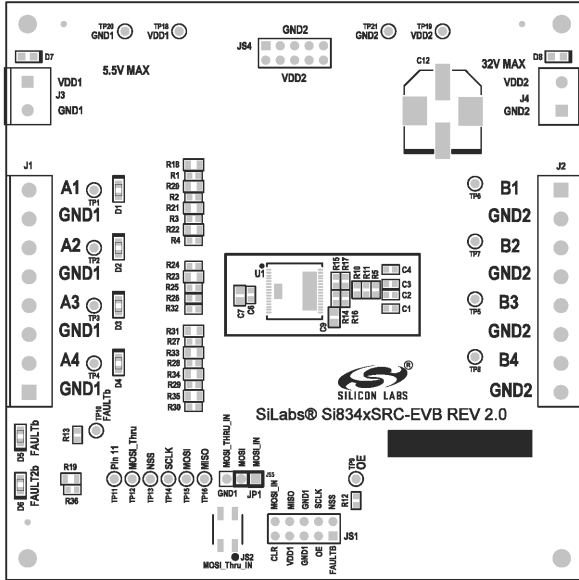
Figure 3.6. Si83418AFA Schematic Diagram

## 4. Evaluation Board Layouts

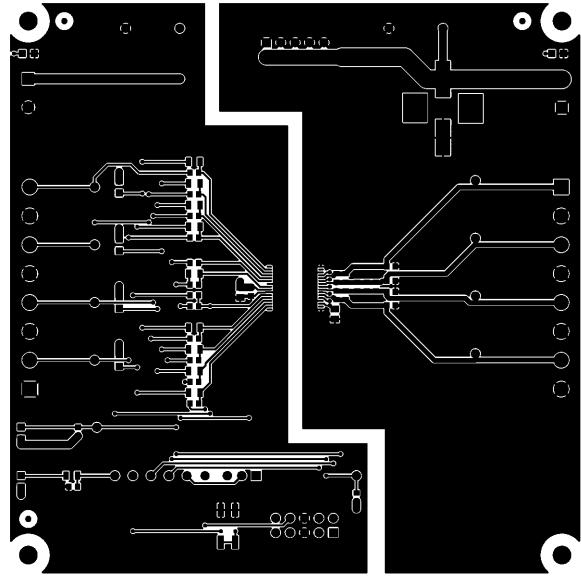
### 4.1 Si834xSRC-EVB Rev 2.0 Layouts

The Si834xSRC-EVB Rev 2.0 PCBs are used for the Si83414AAA-EVB only.

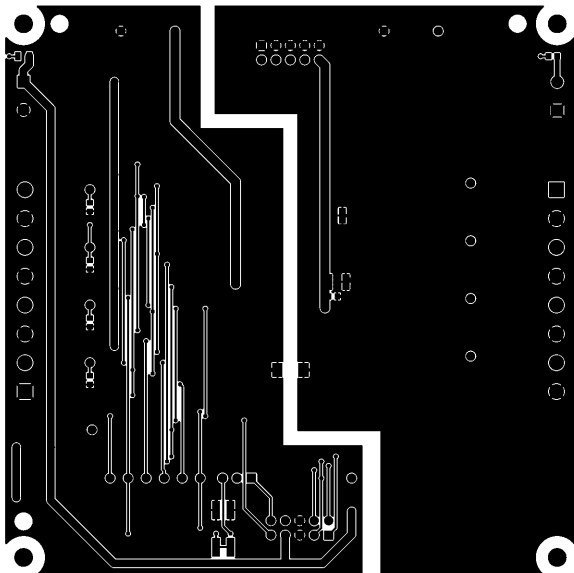
#### PRIMARY SILKSCREEN



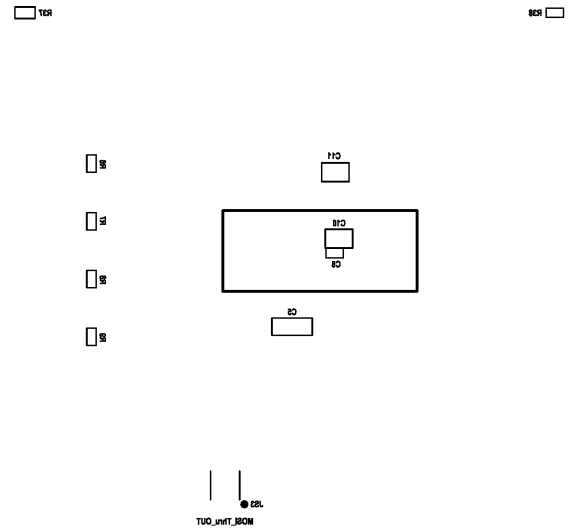
#### PRIMARY SIDE



#### SECONDARY SIDE



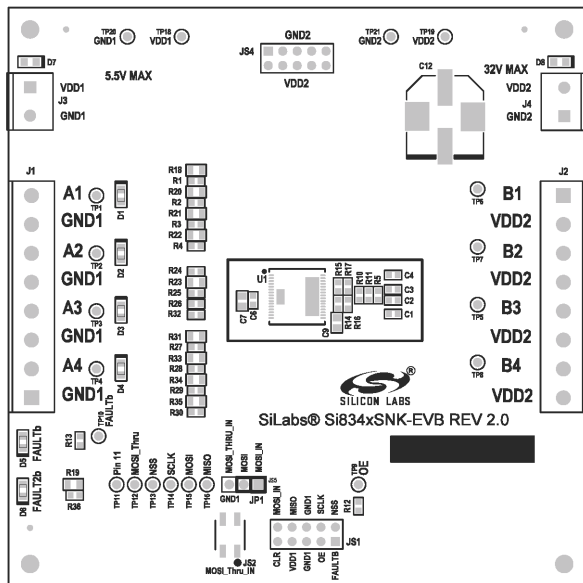
#### SECONDARY SILKSCREEN



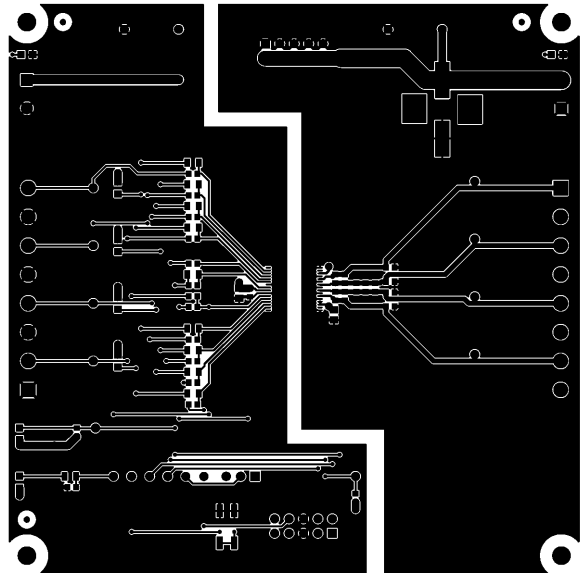
## 4.2 Si834xSNK-EVB Rev 2.0 Layouts

The Si834xSNK-EVB Rev 2.0 PCBs are used for the Si83404AAA-EVB only.

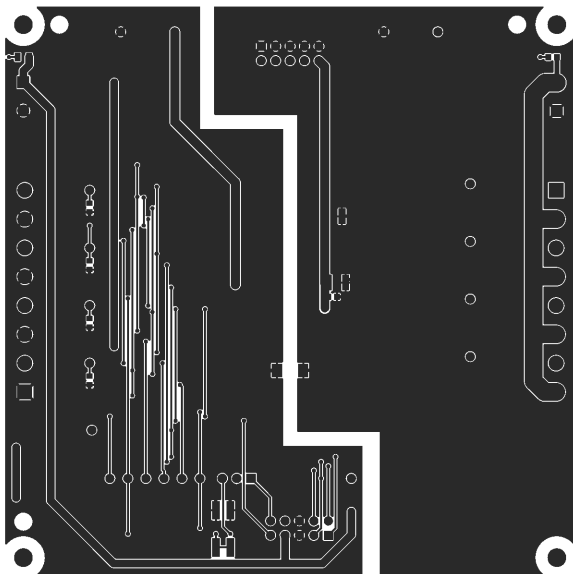
### PRIMARY SILKSCREEN



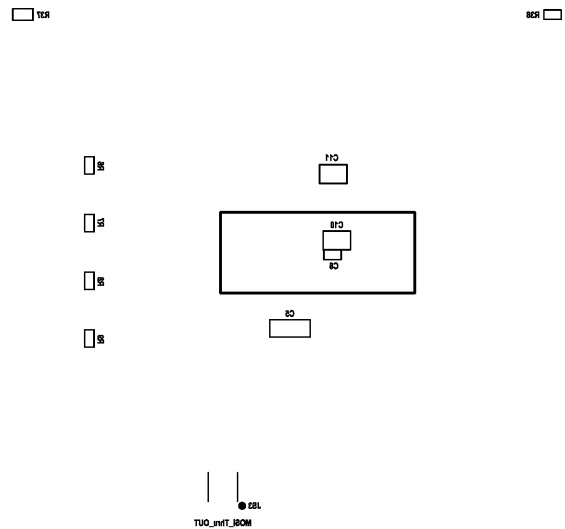
### PRIMARY SIDE



### SECONDARY SIDE



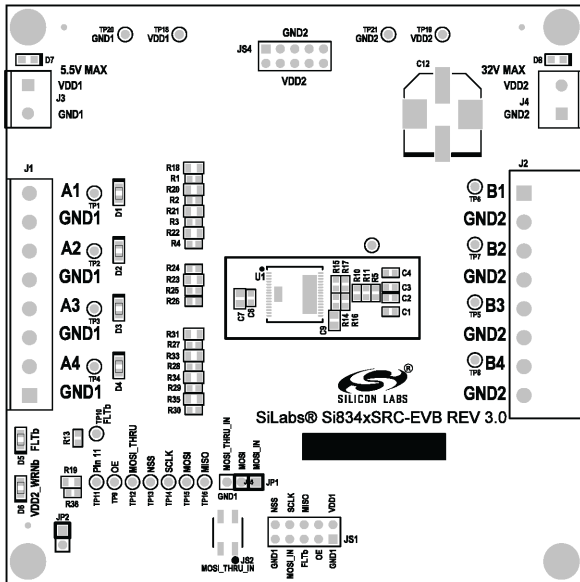
### SECONDARY SILKSCREEN



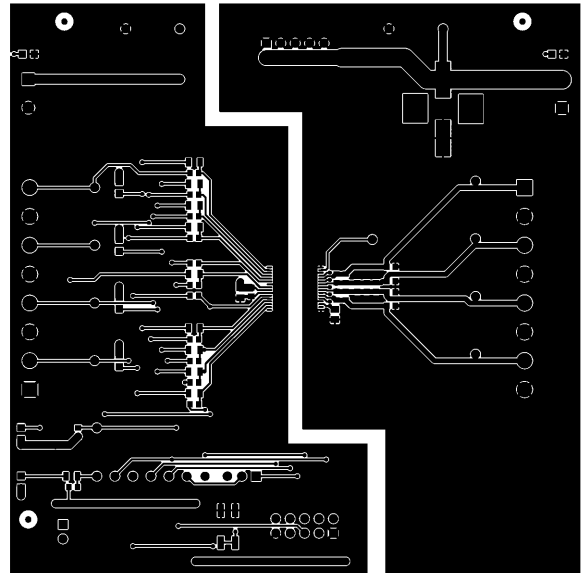
### 4.3 Si834xSRC-EVB Rev 3.0 Layouts

The Si834xSRC-EVB Rev 3.0 PCBs are used for the Si83408ADA-EVB and Si83418AFA-EVB.

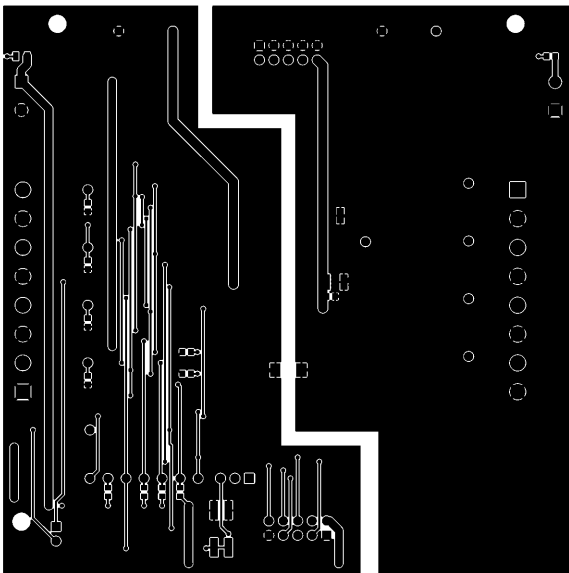
#### PRIMARY SILKSCREEN



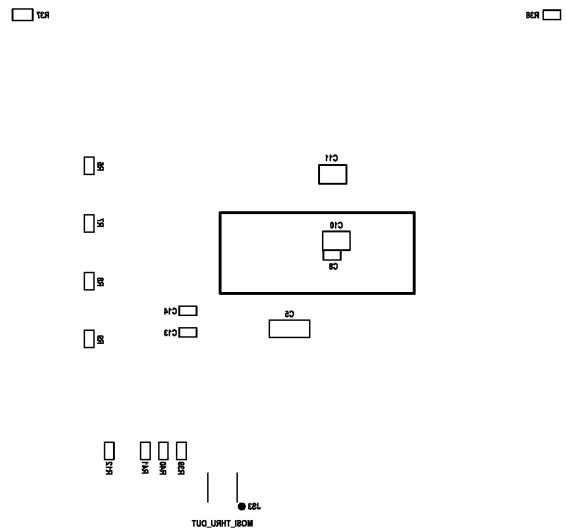
#### PRIMARY SIDE



#### SECONDARY SIDE



#### SECONDARY SILKSCREEN

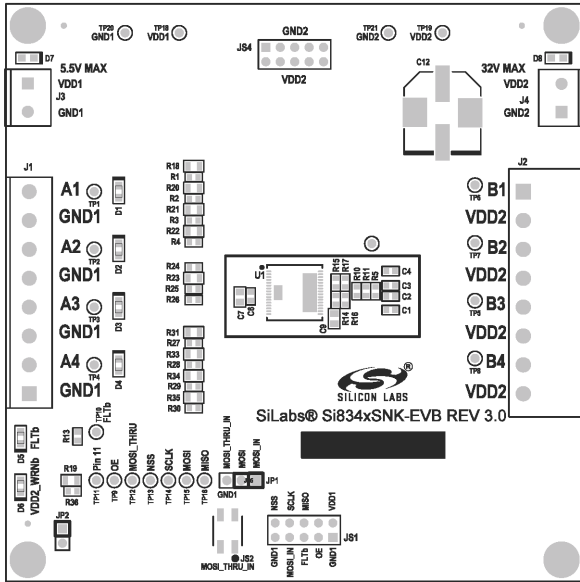




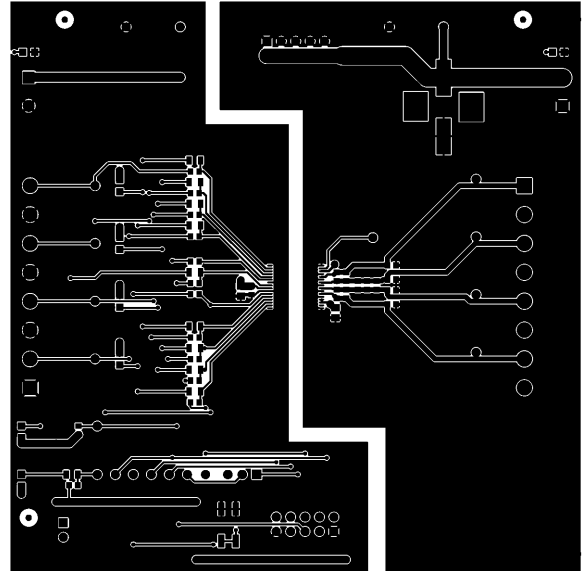
### 4.4 Si834xSNK-EVB Rev 3.0 Layouts

The Si834xSNK-EVB Rev 3.0 PCBs are used for the Si83418ADA-EVB and Si83418AFA-EVB.

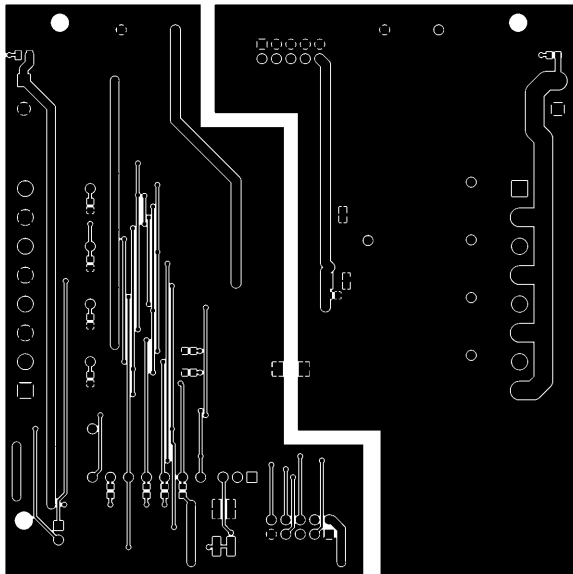
#### PRIMARY SILKSCREEN



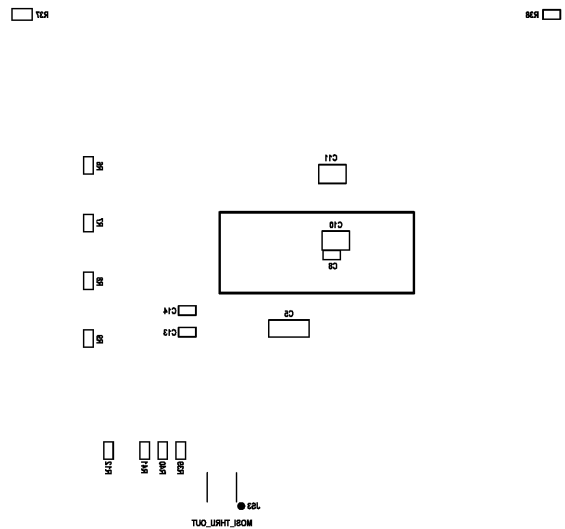
#### PRIMARY SIDE



#### SECONDARY SIDE



#### SECONDARY SILKSCREEN





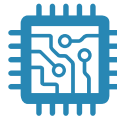
# SKYWORKS®

**Connecting Everyone  
and Everything,  
All the Time**



**Portfolio**

[www.skyworksinc.com](http://www.skyworksinc.com)



**Quality**

[www.skyworksinc.com/quality](http://www.skyworksinc.com/quality)



**Support & Resources**

[www.skyworksinc.com/support](http://www.skyworksinc.com/support)

**Copyright © 2021 Skyworks Solutions, Inc. All Rights Reserved.**

Information in this document is provided in connection with Skyworks Solutions, Inc. ("Skyworks") products or services. These materials, including the information contained herein, are provided by Skyworks as a service to its customers and may be used for informational purposes only by the customer. Skyworks assumes no responsibility for errors or omissions in these materials or the information contained herein. Skyworks may change its documentation, products, services, specifications or product descriptions at any time, without notice. Skyworks makes no commitment to update the materials or information and shall have no responsibility whatsoever for conflicts, incompatibilities, or other difficulties arising from any future changes.

No license, whether express, implied, by estoppel or otherwise, is granted to any intellectual property rights by this document. Skyworks assumes no liability for any materials, products or information provided hereunder, including the sale, distribution, reproduction or use of Skyworks products, information or materials, except as may be provided in Skyworks' Terms and Conditions of Sale.

THE MATERIALS, PRODUCTS AND INFORMATION ARE PROVIDED "AS IS" WITHOUT WARRANTY OF ANY KIND, WHETHER EXPRESS, IMPLIED, STATUTORY, OR OTHERWISE, INCLUDING FITNESS FOR A PARTICULAR PURPOSE OR USE, MERCHANTABILITY, PERFORMANCE, QUALITY OR NON-INFRINGEMENT OF ANY INTELLECTUAL PROPERTY RIGHT; ALL SUCH WARRANTIES ARE HEREBY EXPRESSLY DISCLAIMED. SKYWORKS DOES NOT WARRANT THE ACCURACY OR COMPLETENESS OF THE INFORMATION, TEXT, GRAPHICS OR OTHER ITEMS CONTAINED WITHIN THESE MATERIALS. SKYWORKS SHALL NOT BE LIABLE FOR ANY DAMAGES, INCLUDING BUT NOT LIMITED TO ANY SPECIAL, INDIRECT, INCIDENTAL, STATUTORY, OR CONSEQUENTIAL DAMAGES, INCLUDING WITHOUT LIMITATION, LOST REVENUES OR LOST PROFITS THAT MAY RESULT FROM THE USE OF THE MATERIALS OR INFORMATION, WHETHER OR NOT THE RECIPIENT OF MATERIALS HAS BEEN ADVISED OF THE POSSIBILITY OF SUCH DAMAGE.

Skyworks products are not intended for use in medical, lifesaving or life-sustaining applications, or other equipment in which the failure of the Skyworks products could lead to personal injury, death, physical or environmental damage. Skyworks customers using or selling Skyworks products for use in such applications do so at their own risk and agree to fully indemnify Skyworks for any damages resulting from such improper use or sale.

Customers are responsible for their products and applications using Skyworks products, which may deviate from published specifications as a result of design defects, errors, or operation of products outside of published parameters or design specifications. Customers should include design and operating safeguards to minimize these and other risks. Skyworks assumes no liability for applications assistance, customer product design, or damage to any equipment resulting from the use of Skyworks products outside of Skyworks' published specifications or parameters.

Skyworks, the Skyworks symbol, Sky5®, SkyOne®, SkyBlue™, Skyworks Green™, Clockbuilder®, DSPLL®, ISOModem®, ProSLIC®, and SiPHY® are trademarks or registered trademarks of Skyworks Solutions, Inc. or its subsidiaries in the United States and other countries. Third-party brands and names are for identification purposes only and are the property of their respective owners. Additional information, including relevant terms and conditions, posted at [www.skyworksinc.com](http://www.skyworksinc.com), are incorporated by reference.

Skyworks Solutions, Inc. | Nasdaq: SWKS | [sales@skyworksinc.com](mailto:sales@skyworksinc.com) | [www.skyworksinc.com](http://www.skyworksinc.com)

USA: 781-376-3000 | Asia: 886-2-2735 0399 | Europe: 33 (0)1 43548540 | [in](https://www.linkedin.com/company/skyworks) [f](https://www.facebook.com/skyworks) [t](https://twitter.com/skyworks) [y](https://www.youtube.com/skyworks)

## X-ON Electronics

Largest Supplier of Electrical and Electronic Components

*Click to view similar products for [Power Management IC Development Tools](#) category:*

*Click to view products by [Silicon Labs](#) manufacturer:*

Other Similar products are found below :

[EVAL-ADM1168LQEBZ](#) [EVB-EP5348UI](#) [MIC23451-AAAYFL EV](#) [MIC5281YMME EV](#) [DA9063-EVAL](#) [ADP122-3.3-EVALZ](#) [ADP130-0.8-EVALZ](#) [ADP130-1.2-EVALZ](#) [ADP130-1.5-EVALZ](#) [ADP130-1.8-EVALZ](#) [ADP1714-3.3-EVALZ](#) [ADP1716-2.5-EVALZ](#) [ADP1740-1.5-EVALZ](#) [ADP1752-1.5-EVALZ](#) [ADP1828LC-EVALZ](#) [ADP1870-0.3-EVALZ](#) [ADP1871-0.6-EVALZ](#) [ADP1873-0.6-EVALZ](#) [ADP1874-0.3-EVALZ](#) [ADP1882-1.0-EVALZ](#) [ADP199CB-EVALZ](#) [ADP2102-1.25-EVALZ](#) [ADP2102-1.875EVALZ](#) [ADP2102-1.8-EVALZ](#) [ADP2102-2-EVALZ](#) [ADP2102-3-EVALZ](#) [ADP2102-4-EVALZ](#) [ADP2106-1.8-EVALZ](#) [ADP2147CB-110EVALZ](#) [AS3606-DB](#) [BQ24010EVM](#) [BQ24075TEVM](#) [BQ24155EVM](#) [BQ24157EVM-697](#) [BQ24160EVM-742](#) [BQ24296MEVM-655](#) [BQ25010EVM](#) [BQ3055EVM](#) [NCV891330PD50GEVB](#) [ISLUSBI2CKIT1Z](#) [LM2744EVAL](#) [LM2854EVAL](#) [LM3658SD-AEV/NOPB](#) [LM3658SDEV/NOPB](#) [LM3691TL-1.8EV/NOPB](#) [LM4510SDEV/NOPB](#) [LM5033SD-EVAL](#) [LP38512TS-1.8EV](#) [EVAL-ADM1186-1MBZ](#) [EVAL-ADM1186-2MBZ](#)