

Si8751/52 Data Sheet

Isolated FET Driver with Pin Control or Diode Emulator Inputs

The Si875x enables new pathways to the creation of custom Solid State Relay (SSR) configurations. The Si875x integrates robust isolation technology with an SSR FET driver. A floating secondary side dc power supply is unnecessary as the product generates its own self-contained gate drive output voltage. When combined with a customer-selected external FET, a complete Solid State Relay is formed, allowing customers to optimize their system for cost, PCB area, power, On-Resistance, and thermal performance.

Customers have a choice of digital input control (Si8751) or diode emulation control (Si8752) to best suit their application. The Si875x integrates versatile outputs that support driving AC or DC load configurations.

The Si875x eliminates the need for bulky mechanical relays which can be difficult to assemble onto PCBs and add switching noise to the system.

Traditional SSRs integrate optocoupler-style LED inputs, which limit the operating temperature range of the solution. The Si875x experiences no such limitation and can support full industrial and automotive temperature ranges with increased stability and longer life.

The Si875x drives FET gates with a nominal 10 V using as little as 1 mA input current. Increasing the input current to 10 mA enables turn-on times as fast as 94 μ s. Input side voltages on the Si8751 are flexible from 2.25 V to 5.5 V supporting seamless connection to low-power controllers. The Si875x devices provide an Active Miller Clamp to prevent the unintended turn-on of the external FET when a high dV/dt is present on the FET's drain.

The Si875x is qualified to the AEC-Q100 standard, making it suitable for automotive applications. Further, its 2.5 KVrms isolation rating forms the basis for full certification to UL, CSA, VDE, and CQC.

Applications include mechanical relay, photo switch, or SSR replacement in motor control, valve control, HVAC relay, automotive, charging, battery monitoring, ac mains line switching, and more.

The Si8751 and Si8752 come in ROHS-compliant SOIC-8 packaging, providing a compact, industry-standard footprint and generous margin to creepage and clearance requirements.

KEY FEATURES

- Drives user-selected external FETs
- Choice of digital input control (Si8751) or diode emulation control (Si8752)
- Internally generated secondary side power supply
- 10 V output with 1 mA input current
- As fast as 82 μ s turn-on time and 46 μ s turn-off time
- Active Miller Clamp to prevent unintended turn-on and reduce inductive chatter
- Supports AC or DC load switching
- 2.5 KVrms isolation rating
- UL, CSA, VDE, and CQC certifications
- AEC-Q100 qualified
- Industrial -40 to 105 °C or Automotive -40 to 125 °C temperature ranges
- ROHS-compliant SOIC-8 Package

APPLICATIONS

- Motor Controls
- Valve Controls
- HVAC Relays
- HEV/EV Automotive Charging
- Battery Monitoring
- AC Mains Line Switching

1. Ordering Guide

Table 1.1. Si8751/2 Ordering Guide

| Ordering Part Number ^{1, 2} | Input Support | Package | Temperature Range (Ambient) | Isolation Rating (kVrms) |
|--------------------------------------|-----------------|---------|-----------------------------|--------------------------|
| Si8751AB-IS | Digital CMOS | SOIC-8 | –40 to 105 °C Industrial | 2.5 kV |
| Si8751AB-AS | Digital CMOS | SOIC-8 | –40 to 125 °C Automotive | 2.5 kV |
| Si8752AB-IS | Diode Emulation | SOIC-8 | –40 to 105 °C Industrial | 2.5 kV |
| Si8752AB-AS | Diode Emulation | SOIC-8 | –40 to 125 °C Automotive | 2.5 kV |

Note:

1. "Si" and "SI" are used interchangeably.
2. Add an "R" at the end of the device to denote tape and reel option

2. System Overview

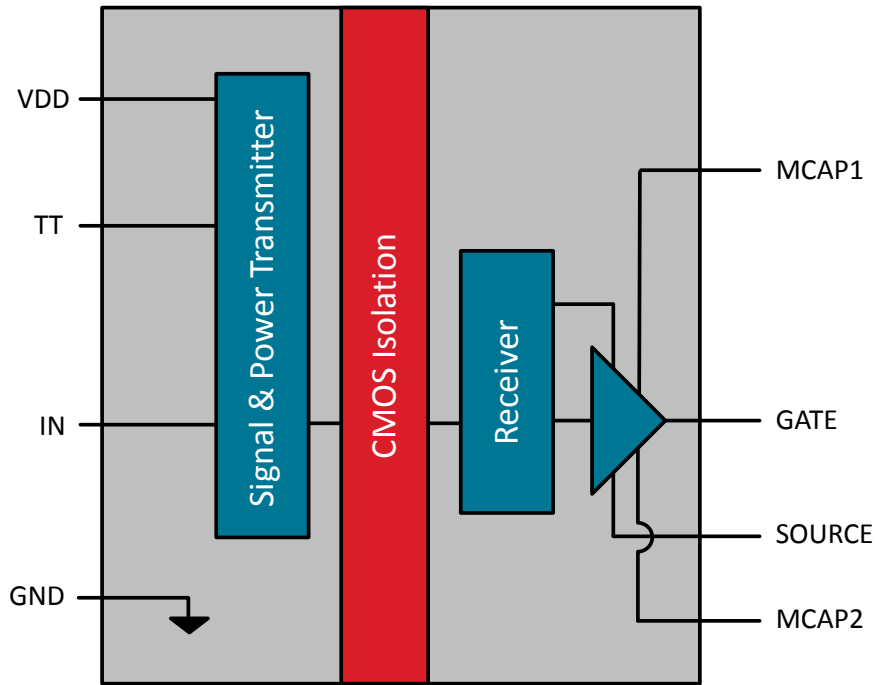


Figure 2.1. Si8751 Block Diagram

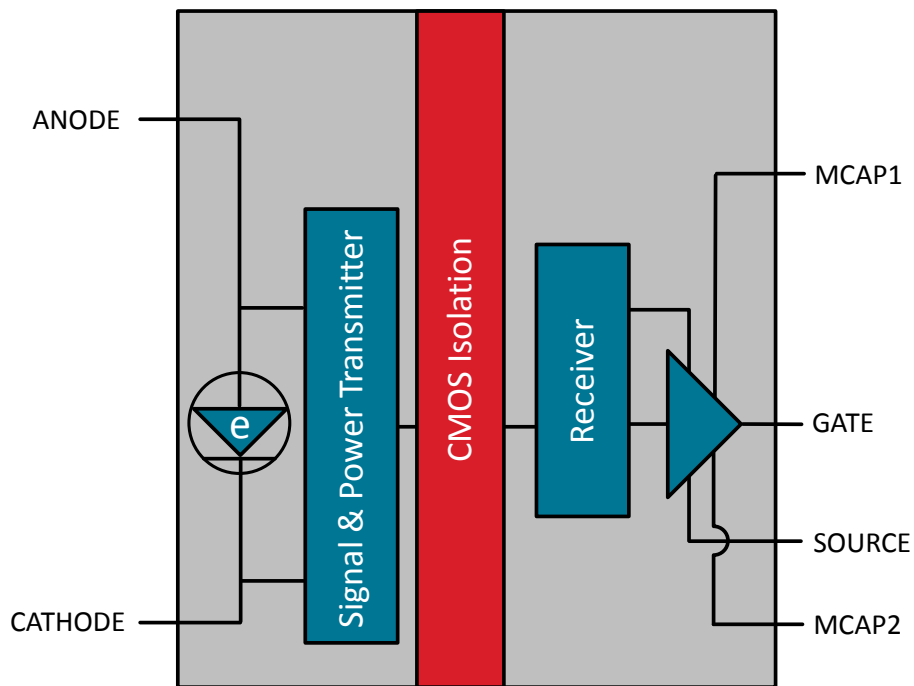


Figure 2.2. Si8752 Block Diagram

The operation of an Si875x channel is analogous to that of an optocoupler and gate driver, except an RF carrier is modulated instead of light. This simple architecture provides a robust isolated data path and requires no special considerations or initialization at start-up. A simplified block diagram for a single Si875x channel is shown in the figure below.

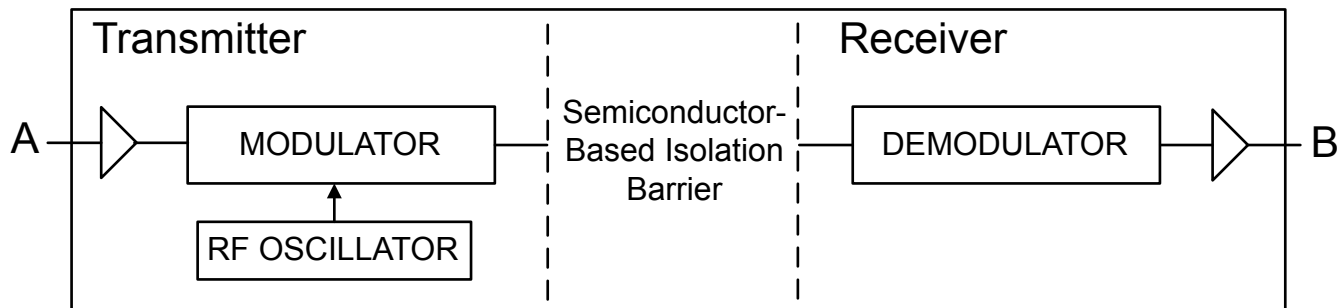


Figure 2.3. Simplified Channel Diagram

A channel consists of an RF Transmitter and RF Receiver separated by a semiconductor-based isolation barrier. Referring to the Transmitter, input A modulates the carrier provided by an RF oscillator using on/off keying. The Receiver contains a demodulator that decodes the input state according to its RF energy content and applies the result to output B via the output driver. This RF on/off keying scheme is superior to pulse code schemes as it provides best-in-class noise immunity, low power consumption, and better immunity to magnetic fields. See figure below for more details.

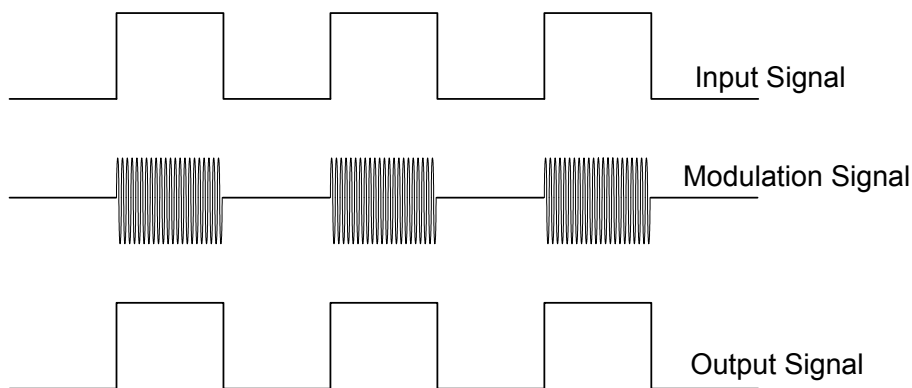


Figure 2.4. Modulation Scheme

2.1 Device Behavior

The following are truth tables for the Si875x family.

Table 2.1. Si8751 Truth Table

| VDD | IN | Gate |
|-----------|----|------|
| Powered | H | H |
| Powered | L | L |
| Unpowered | X | L |

Table 2.2. Si8752 Truth Table

| Input Current | Gate |
|---------------|------|
| $> I_{f(TH)}$ | H |
| $< I_{f(TH)}$ | L |

2.2 Power Supply Connections (Si8751 Only)

The Si8751 requires a 0.1 μF bypass capacitor between VDD and GND. The capacitor should be placed as close as possible to the package. To enhance the robustness of a design, the user may also include a 1 μF capacitor for bulk decoupling as well as a resistor (50–300 Ω) in series with the input if the system is excessively noisy.

2.3 TT Pin Description (Si8751 Only)

The Si8751 provides a pin to control how much current is consumed by the supply when the input pin is logic high. The more current consumed by the input supply, the faster the output can turn on the external FET. This allows the application designer to optimize the tradeoff between power consumption and switching time.

Typically, this pin is connected to the supply ground through a resistor. The greater the value of the resistor, the less current is consumed by the input supply. Values can range from 0 Ω (shorted to ground) to open (TT not connected).

In addition to a resistor, a capacitor, typically 0.1 μF , can be placed in parallel to the resistor. This allows the device to draw more current to switch the external FET on quickly yet draw less supply current in the steady state. Total power over time is reduced while maintaining fast switching of the FET.

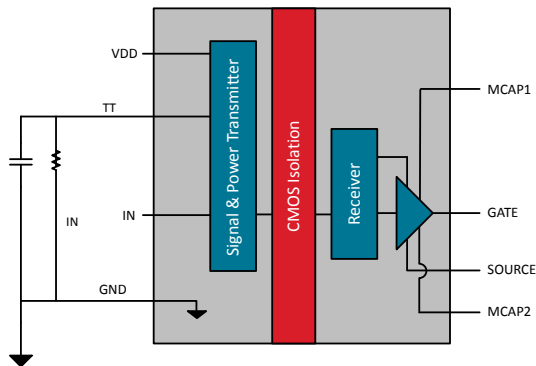


Figure 2.5. Si8751 TT Example

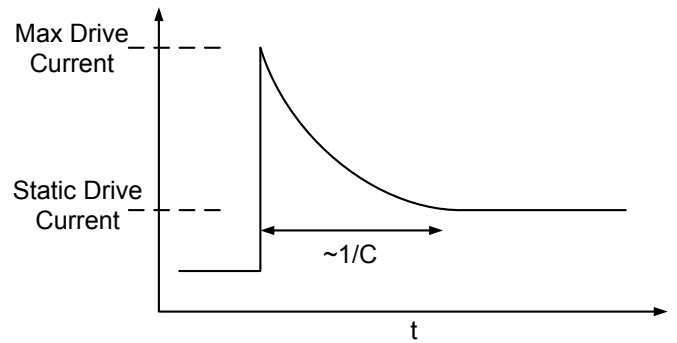


Figure 2.6. Drive Current vs. Time Using TT with Capacitor

2.4 LED Emulator Input (Si8752 Only)

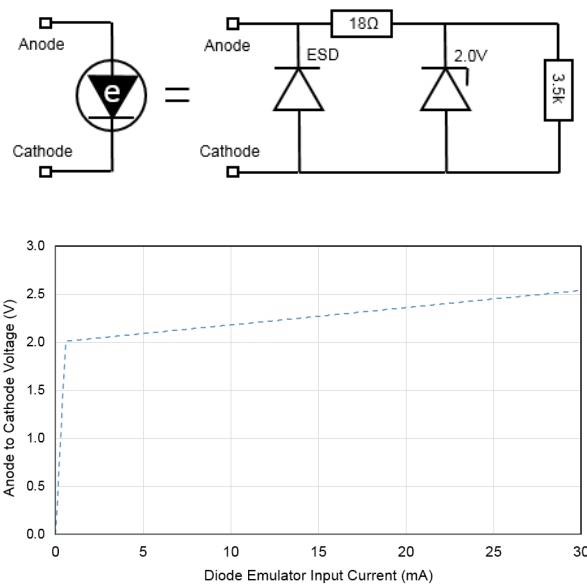


Figure 2.8. Diode Emulator Model and I-V Curve

The Si8752 uses input current to achieve the development of power across the isolation barrier. Therefore, the more current provided to the input, the more power is developed on the isolated side of the device. This translates into a faster turn on time of the external FET. This benefit is limited to an input current of about 15 mA. Beyond that, increasing the input current has little effect on the switching time of the external FET.

2.5 Output Description

The output of the Si875x device develops a positive voltage on the GATE pin with respect to the SOURCE pin. This voltage is used to turn on a typical field effect transistor (FET). Because power is transmitted across the isolation barrier, no isolated supply is required.

This can be used to drive a FET configured as a switch for a dc load. It can also be used to drive a pair of FETs configured as a switch for an ac load. See [3. Applications](#).

2.6 Miller Clamp

2.6.1 Miller Clamp Description

The Si875x devices provide a clamping device to prevent unintended turn on of the external FET when a high dV/dt is present on the FET's drain. To use this feature, a capacitor is connected between the drain(s) of the FET(s) and one of the MCAPx inputs. A sudden, positive slope on this pin will cause the clamp device within the Si875x to activate and provide a low impedance path between the gate and source pins. This will prevent the FET from being unintentionally turned on.

The Si875x device provides two miller clamp input pins. This allows for both FET's to be protected from unintended turn on when the device is used in an AC switch configuration. In this case each drain is connected to an MCAPx input through a capacitor.

Connection to a MCAPx pin, and use of the Miller Clamp feature, is optional. The device will function as expected if these pins are left unconnected.

2.6.2 Sizing Miller Clamp Capacitors

The recommended value of the capacitor used to connect the drain of the external FET to the Si875x device is typically 10 pf. If the application has a very large dV/dt and the clamp is not adequately keeping the external FET off, then this capacitor value can be increased up to 100 pf. The voltage rating of the capacitor should be greater than or equal to the peak voltage expected at the drain of the FET. The relationship of the capacitor and the dV/dt is governed by the equation: $C = I_{MC}/(dV/dt)$; where: I_{MC} is the Miller Clamp input current (6mA max, as specified in Electrical Tables), and dV/dt is the expected slew rate.

3. Applications

The following examples illustrate typical circuit configurations using the Si8751/52.

3.1 DC SSR Example

The Si875x device can be used to control a dc load as shown in the following figure:

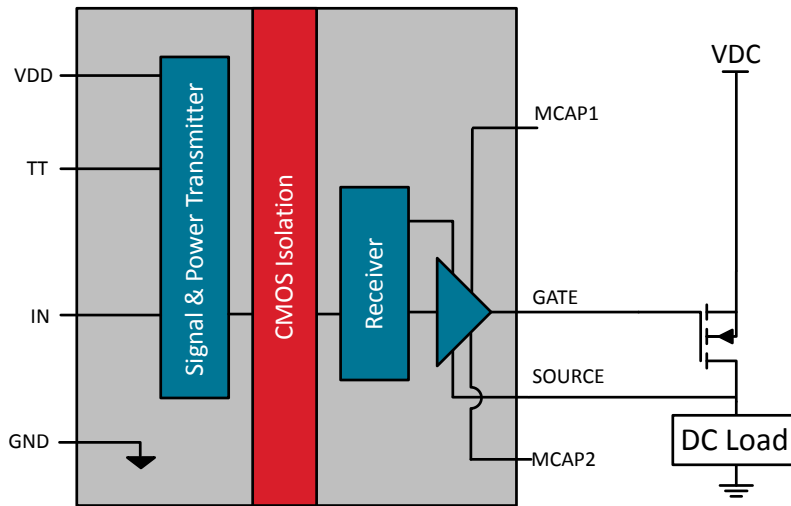


Figure 3.1. Driving an FET for DC Load Including Miller Clamp Capacitor

In this configuration, the Si8751 charges the gate of the external FET; turning it on. This switches on power, supplied by VDC, to the load. The output side circuitry is identical if using the Si8752.

3.2 AC SSR Example

The Si875x can be used to control power to an ac load using the following circuit:

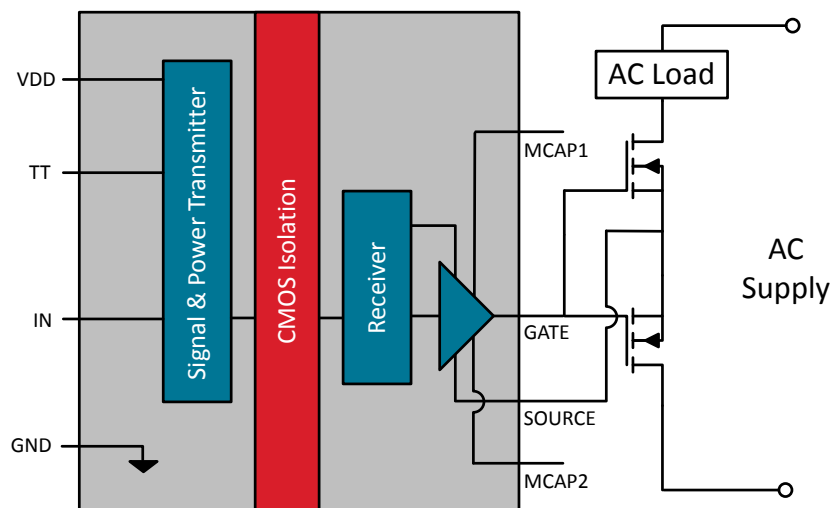


Figure 3.2. Driving FETs for AC Load Switching

In this configuration, both FET's are turned on by the charge delivered by the Si8751. This allows ac current to flow to the load. When the Si875x is turned off, charge is drained from the gates of both FET's and the ac current is turned off. The output side circuitry is identical if using the Si8752.

4. Electrical Specifications

Table 4.1. Electrical Specifications

- Automotive: VDD=2.25 to 5.5V; GND=0V; T_A=-40 to +125°C; typical specs at 25°C; T_J=-40 to +150°C
- Industrial: VDD=2.25 to 5.5V; GND=0V; T_A=-40 to +105°C; typical specs at 25°C; T_J=-40 to +150°C

| Parameter | Symbol | Test Condition | Min | Typ | Max | Unit |
|---|---------------------|--|------|------|------------|------|
| Si8751 Only | | | | | | |
| Input Side | | | | | | |
| Supply Voltage | VDD | | 2.25 | 3.3 | 5.5 | V |
| Supply Current | IDD | IN = 0V | — | 140 | — | nA |
| | | IN = VDD, TT = GND | — | 13.8 | 17 | mA |
| | | IN = VDD, TT = 10 kΩ | — | 7.8 | 9.5 | mA |
| | | IN = VDD, TT unconnected | — | 1.5 | 1.8 | mA |
| High Level Input Voltage | V _{IH} | 50% of VDD | — | — | — | V |
| Low Level Input Voltage | V _{IL} | | — | — | 25% of VDD | V |
| Input Hysteresis | V _{HYS} | | — | 180 | — | mV |
| Driver Side | | | | | | |
| GATE Off Voltage | V _{G(OFF)} | IN = 0 V | — | 0 | — | mV |
| GATE On Voltage | V _{G(ON)} | IN = VDD, TT = GND | 7.5 | 10 | 13 | V |
| | | IN = VDD, TT = 10 kΩ | 9 | 10.8 | 13 | V |
| | | IN = VDD, TT unconnected | 9 | 10.8 | 13 | V |
| GATE On Impedance | R _G | IN = VDD, TT = GND | — | 162 | 330 | kΩ |
| | | IN = VDD, TT = 10 kΩ | — | 265 | 370 | kΩ |
| | | IN = VDD, TT unconnected | — | 1.5 | 1.85 | MΩ |
| Turn-off Time | T _{G(OFF)} | IN = 0 V | — | 15 | 35 | μs |
| Turn-on Time (50% of V _{G(ON)}) | T _{G(ON)} | TT = GND | — | 42 | 120 | μs |
| | | TT = 10 kΩ | — | 58 | 170 | μs |
| | | TT unconnected | — | 286 | 650 | μs |
| Turn-on Time (90% of V _{G(ON)}) | T _{G(ON)} | TT = GND | — | 85.3 | 190 | μs |
| | | TT = 10 kΩ | — | 130 | 260 | μs |
| | | TT unconnected | — | 0.7 | 1.2 | ms |
| Si8752 Only | | | | | | |
| Input Side | | | | | | |
| Input Current | I _{F(ON)} | | 1.0 | — | 30.0 | mA |
| Guaranteed Off Current | I _{F(OFF)} | | — | — | 10 | μA |
| Forward Voltage (OFF) | V _{F(OFF)} | Measured ANODE with respect to Cathode | — | 0 | — | V |

| Parameter | Symbol | Test Condition | Min | Typ | Max | Unit |
|--|--------------|---|------|------|------|-------|
| Forward Voltage (ON) | $V_{F(ON)}$ | 1 mA < I_F < 10 mA, measured ANODE with respect to cathode | 1.8 | — | 2.35 | V |
| | | 10 mA < I_F < 30 mA, measured ANODE with respect to cathode | 2.03 | — | 2.7 | V |
| Driver Side | | | | | | |
| GATE Off Voltage | $V_{G(OFF)}$ | $I_F = 0$ mA | — | 0 | — | mV |
| GATE On Voltage | $V_{G(ON)}$ | $I_F = 1$ mA | 8 | 10.3 | 13 | V |
| | | $I_F = 10$ mA | 8 | 10.3 | 13 | V |
| | | $I_F = 30$ mA | 8 | 10.9 | 13 | V |
| GATE On Impedance | R_G | $I_F = 1$ mA | — | 2.7 | 3.5 | MΩ |
| | | $I_F = 10$ mA | — | 194 | 300 | kΩ |
| | | $I_F = 30$ mA | — | 168 | 290 | kΩ |
| Turn-off Time | $T_{G(OFF)}$ | $I_F = 0$ mA | — | 15 | 35 | μs |
| Turn-on Time (50% of $V_{G(ON)}$) | $T_{G(ON)}$ | $I_F = 1$ mA | — | 463 | 720 | μs |
| | | $I_F = 10$ mA | — | 41 | 125 | μs |
| | | $I_F = 30$ mA | — | 36 | 90 | μs |
| Turn-on Time (90% of $V_{G(ON)}$) | $T_{G(ON)}$ | $I_F = 1$ mA | — | 1.1 | 1.49 | ms |
| | | $I_F = 10$ mA | — | 94 | 190 | μs |
| | | $I_F = 30$ mA | — | 82 | 180 | μs |
| Si8751 and Si8752 | | | | | | |
| Miller Clamp Current | I_{MC} | Max input current | — | — | 6 | mA |
| Miller Clamp Pull-Down Current | I_G | $I_{MC} = 50$ μA; $V_{Gate} = 1$ V | 5 | 12.8 | — | mA |
| Gate OFF Impedance | | $I_F = 0$ mA (Si8752) $I_N = 0$ V (Si8751) | — | 21.5 | — | MΩ |
| Common Mode Transient Immunity | | VCM = 1500 V | 20 | — | — | kV/μs |
| Note: | | | | | | |
| 1. All measurements use 100 pF gate capacitance load unless specified. | | | | | | |

4.1 Test Circuits

The following figure depicts a common-mode transient immunity test circuit:

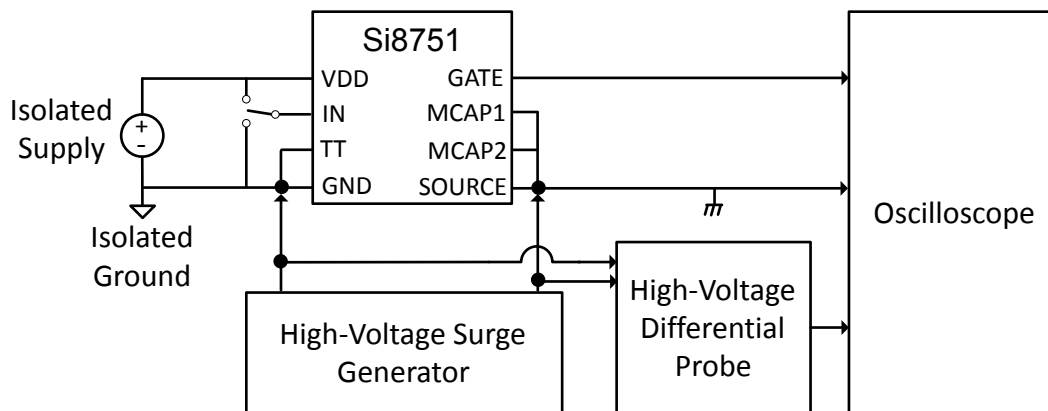


Figure 4.1. Common-Mode Transient Immunity Test Circuit

4.2 Regulatory Information

Table 4.2. Regulatory Information^{1,2}

| |
|---|
| CSA |
| The Si875x is certified under CSA Component Acceptance Notice 5A. For more details, see Master Contract Number 232873. |
| 60950-1: Up to 125 V _{RMS} reinforced insulation working voltage; up to 600 V _{RMS} basic insulation working voltage. |
| VDE |
| The Si875x is certified according to VDE 0884-10. For more details, see Certificate 40018443. |
| VDE 0884-10: Up to 630 V _{peak} for basic insulation working voltage. |
| UL |
| The Si875x is certified under UL1577 component recognition program. For more details, see File E257455. |
| Rated up to 2500 V _{RMS} isolation voltage for basic protection. |
| CQC |
| The Si875x is certified under GB4943.1-2011. For more details, see Certificate CQC17001177960. |
| Rated up to 125 V _{RMS} reinforced insulation working voltage; up to 600 V _{RMS} basic insulation working voltage. |
| 1. Regulatory Certifications apply to 2.5 kV _{RMS} rated devices which are production tested to 3.0 kV _{RMS} for 1 sec. |
| 2. For more information, see 1. Ordering Guide . |

Table 4.3. Insulation and Safety-Related Specifications

| Parameter | Symbol | Test Condition | SOIC-8 Value | Unit |
|--|-----------------|----------------|------------------|------|
| Nominal External Air Gap (Clearance) | CLR | | 4.7 | mm |
| Nominal External Tracking (Creepage) | CPG | | 3.9 | mm |
| Minimum Internal Gap (Internal Clearance) | DTI | | 0.008 | mm |
| Tracking Resistance | PTI | IEC60112 | 600 | V |
| Erosion Depth | ED | | 0.04 | mm |
| Resistance (Input-Output) ¹ | R _{IO} | | 10 ¹² | Ω |
| Capacitance (Input-Output) ¹ | C _{IO} | f = 1 MHz | 0.5 | pF |
| Input Capacitance ² | C _I | | 3.0 | pF |

Notes:

- To determine resistance and capacitance, the Si875x is converted into a 2-terminal device. All pins on side 1 are shorted to create terminal 1, and all pins on side 2 are shorted to create terminal 2. The parameters are then measured between these two terminals.
- Measured from input pin to ground.

Table 4.4. IEC 60664-1 Ratings

| Parameter | Test Condition | SOIC-8 Specification |
|-----------------------------|---|----------------------|
| Basic Isolation Group | Material Group | I |
| Installation Classification | Rated Mains Voltages < 150 V _{RMS} | I-IV |
| | Rated Mains Voltages < 300 V _{RMS} | I-III |
| | Rated Mains Voltages < 400 V _{RMS} | I-II |
| | Rated Mains Voltages < 600 V _{RMS} | I-II |

Table 4.5. VDE 0884 Insulation Characteristics¹

| Parameter | Symbol | Test Condition | Characteristic | Unit |
|--|------------|--|----------------|----------|
| Maximum Working Insulation Voltage | V_{IORM} | | 630 | V peak |
| Input to Output Test Voltage | V_{PR} | Method b1 ($V_{IORM} \times 1.875 = V_{PR}$, 100% Production Test, $t_m = 1$ sec, Partial Discharge < 5 pC) | 1181 | V peak |
| Transient Overvoltage | V_{IOTM} | $t = 60$ sec | 4000 | V peak |
| Surge Voltage | V_{IOSM} | Tested per IEC 60065 with surge voltage of 1.2 μ s/50 μ s Si875x tested with 4000 V | 3077 | Vpeak |
| Pollution Degree (DIN VDE 0110, Table 1) | | | 2 | |
| Insulation Resistance at T_S , $V_{IO} = 500$ V | R_S | | $>10^9$ | Ω |

Note:

1. Maintenance of the safety data is ensured by protective circuits. The Si875x provides a climate classification of 40/125/21.

Table 4.6. IEC Safety Limiting Values¹

| Parameter | Symbol | Test Condition | SOIC-8 | Unit |
|----------------------------------|--------|---|--------|--------------------|
| Safety Temperature | T_S | | 150 | $^{\circ}\text{C}$ |
| Safety Input Current (Si8751) | I_S | $\theta_{JA} = 110$ $^{\circ}\text{C}/\text{W}$ VDD = 5.5 V, $T_J = 150$ $^{\circ}\text{C}$, $T_A = 25$ $^{\circ}\text{C}$ | 206 | mA |
| | | $\theta_{JA} = 110$ $^{\circ}\text{C}/\text{W}$ VDD = 3.63 V, $T_J = 150$ $^{\circ}\text{C}$, $T_A = 25$ $^{\circ}\text{C}$ | 313 | mA |
| | | $\theta_{JA} = 110$ $^{\circ}\text{C}/\text{W}$ VDD = 2.75 V, $T_J = 150$ $^{\circ}\text{C}$, $T_A = 25$ $^{\circ}\text{C}$ | 413 | mA |
| Safety Input Current (Si8752) | I_S | $\theta_{JA} = 110$ $^{\circ}\text{C}/\text{W}$ VF = 2.5 V, $T_J = 150$ $^{\circ}\text{C}$, $T_A = 25$ $^{\circ}\text{C}$ | 454 | mA |

| Parameter | Symbol | Test Condition | SOIC-8 | Unit |
|---|--------|--|--------|------|
| Safety Input Power (Si8752) | P_S | $\theta_{JA} = 110 \text{ }^\circ\text{C/W}$ $V_F = 2.5 \text{ V}$, $T_J = 150 \text{ }^\circ\text{C}$, $T_A = 25 \text{ }^\circ\text{C}$ | 1136 | mW |
| Device Power Dissipation | P_D | | 1 | W |
| Note: 1. Maximum value allowed in the event of a failure. Refer to the thermal derating curves below. | | | | |

Table 4.7. Thermal Characteristics

| Parameter | Symbol | SOIC-8 | Unit |
|---------------------------------------|---------------|--------|---------------|
| IC Junction-to-Air Thermal Resistance | θ_{JA} | 110 | $^{\circ}C/W$ |

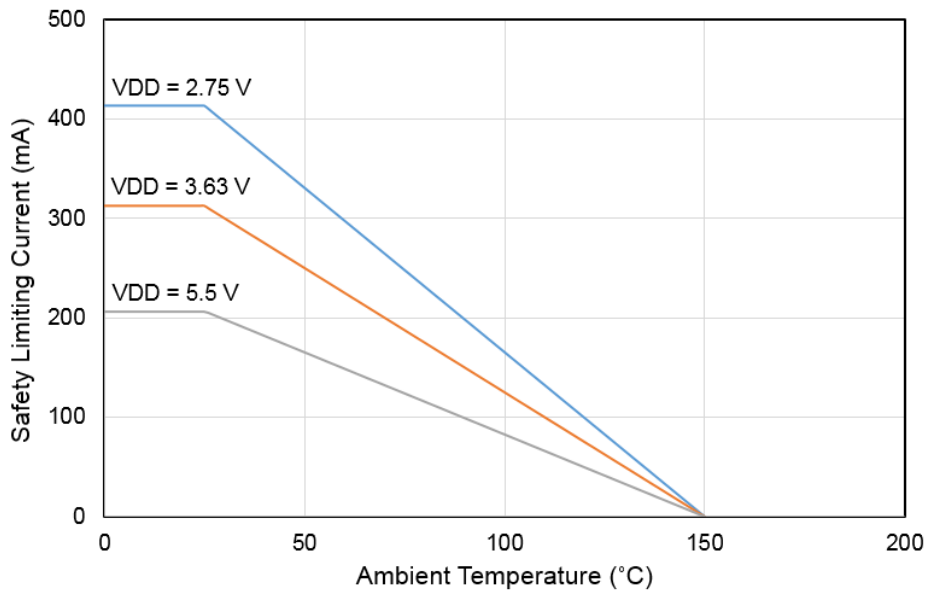


Figure 4.2. Thermal Derating Curve for Safety Limiting Current (Si8751)

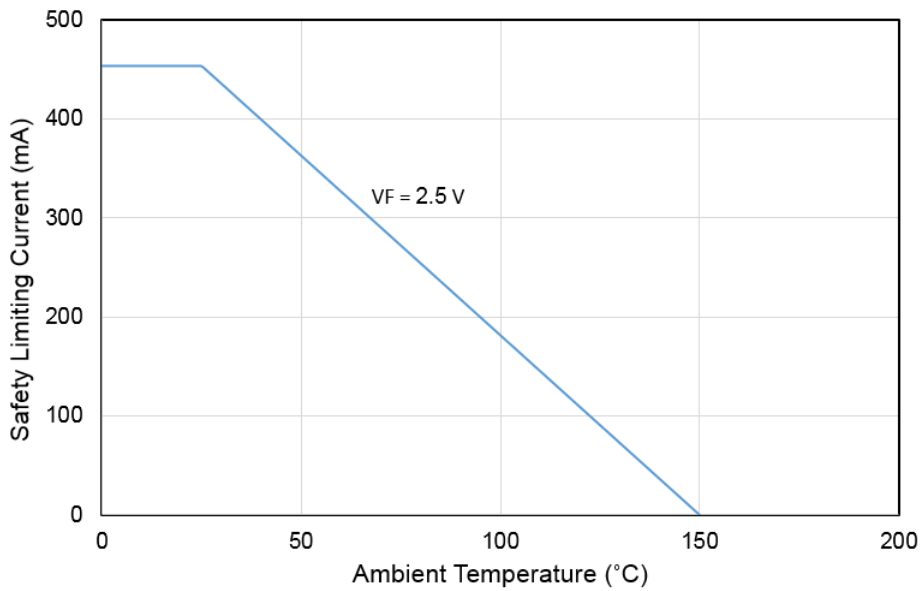


Figure 4.3. Thermal Derating Curve for Safety Limiting Current (Si8752)

Table 4.8. Absolute Maximum Ratings¹

| Parameter | Symbol | Min | Max | Units |
|---|--------------|------|-----------|-------------|
| Storage Temperature | T_{STG} | -65 | +150 | °C |
| Operating Temperature | T_A | -40 | +125 | °C |
| Junction Temperature | T_J | — | +150 | °C |
| Input-side supply voltage (Si8751) | VDD | -0.6 | 6.0 | V |
| Voltage on any input side pin with respect to ground (pin 4, Si8751 only) | V_{IO} | -0.5 | VDD + 0.5 | V |
| Average Forward Anode Current (Si8752) | $I_{F(AVG)}$ | — | 30 | mA |
| Reverse Anode Voltage (Si8752) | V_R | — | 0.3 | V |
| Lead Solder Temperature (10 s) | | — | 260 | °C |
| ESD Rating, HBM | | — | 3500 | V |
| ESD Rating, CDM | | — | 2000 | V |
| Maximum Isolation Voltage (Input to Output) (1 sec) SOIC-8 | | — | 3000 | V_{RMS} |
| Latch-up Immunity | | — | 400 | kV/ μ s |

Note:

1. Permanent device damage may occur if the absolute maximum ratings are exceeded. Functional operation should be restricted to the conditions specified in the operational sections of this data sheet.

4.3 Typical Operating Characteristics

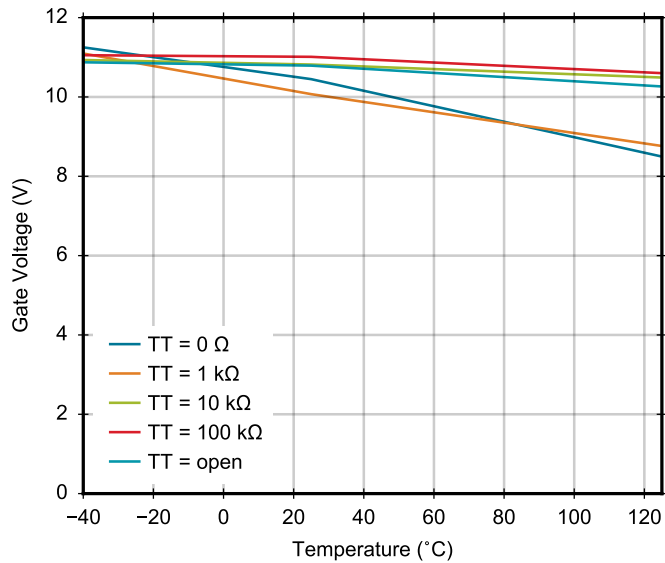


Figure 4.4. Si8751 Typical Gate Voltage vs. Temperature and TT

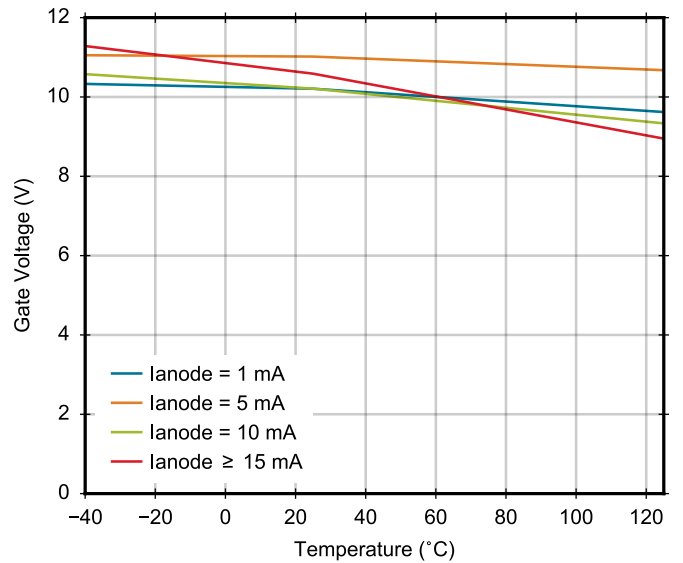


Figure 4.5. Si8752 Typical Gate Voltage vs. Temperature and Anode Current

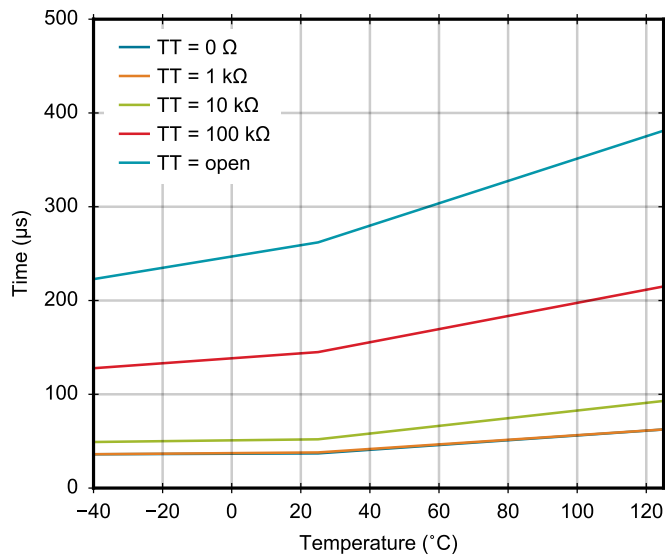


Figure 4.6. Si8751 Typical Turn-On Time vs. Temperature and TT with 100 pF Load (50% of Output)

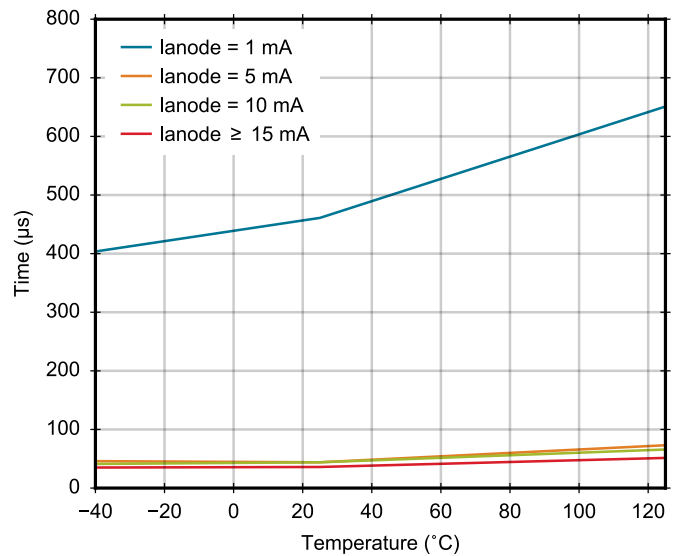


Figure 4.7. Si8752 Typical Turn-On Time vs. Temperature and Anode Current with 100 pF Load (50% of Output)

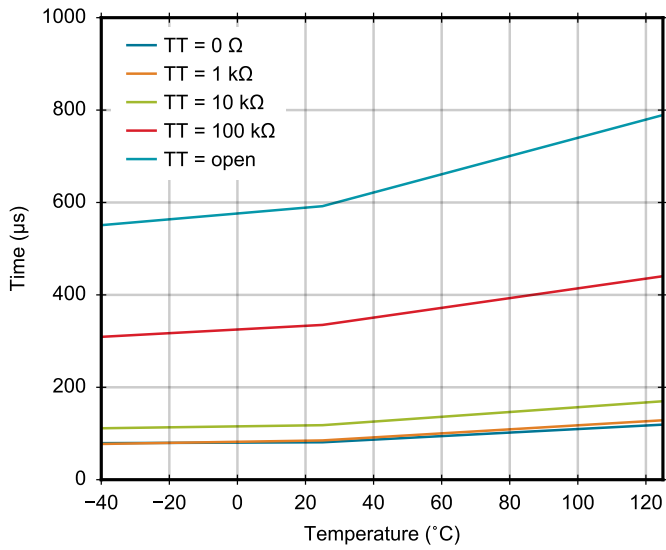


Figure 4.8. Si8751 Typical Turn-On Time vs. Temperature and TT with 100 pF Load (90% of Output)

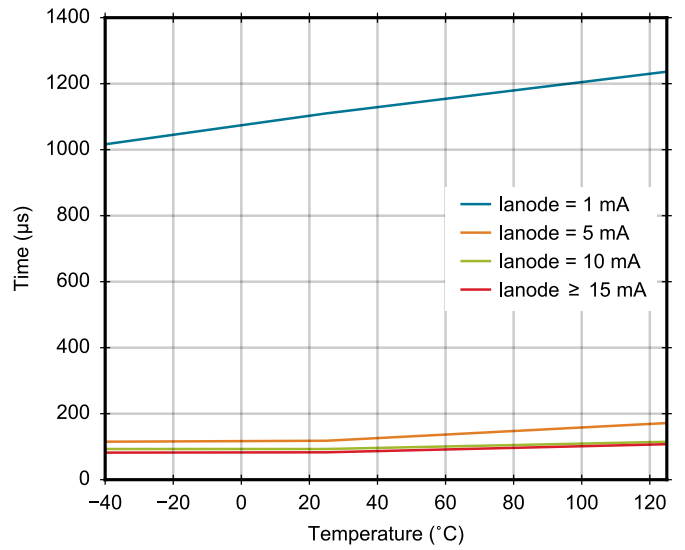


Figure 4.9. Si8752 Typical Turn-On Time vs. Temperature and Anode Current with 100 pF Load (90% of Output)

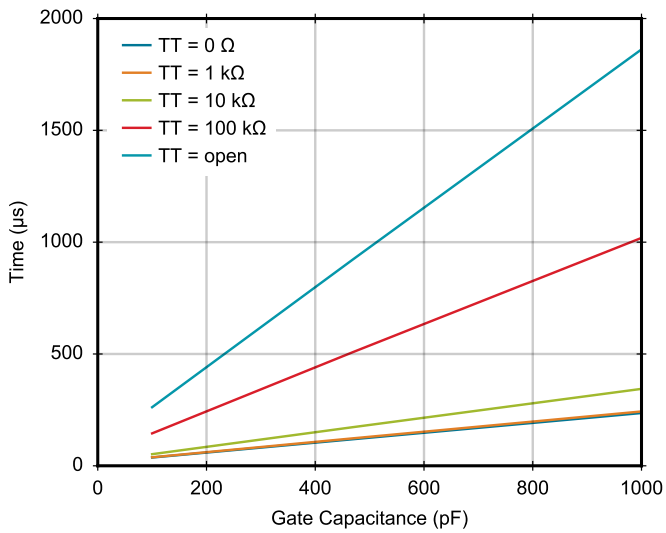


Figure 4.10. Si8751 Typical Turn-On Time vs. Capacitance and TT (50% of Output)

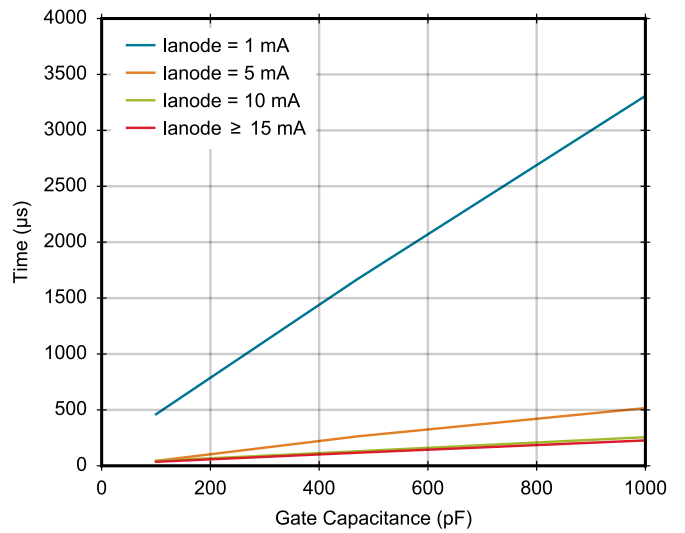


Figure 4.11. Si8752 Typical Turn-On Time vs. Capacitance and Anode Current (50% of Output)

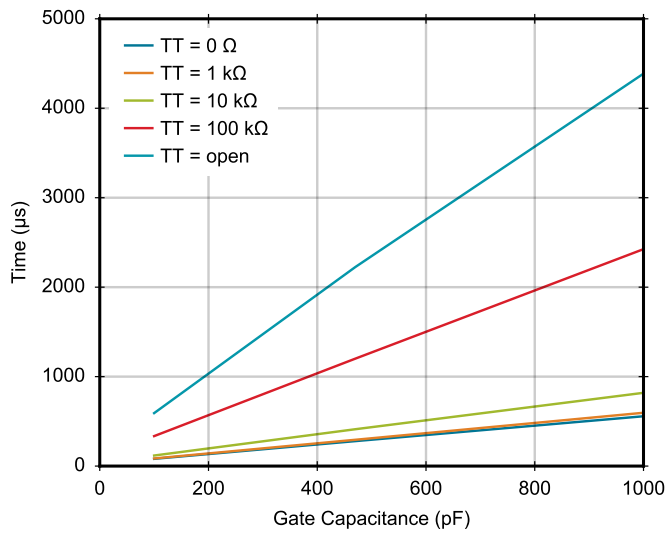


Figure 4.12. Si8751 Typical Turn-On Time vs. Capacitance and TT (90% of Output)

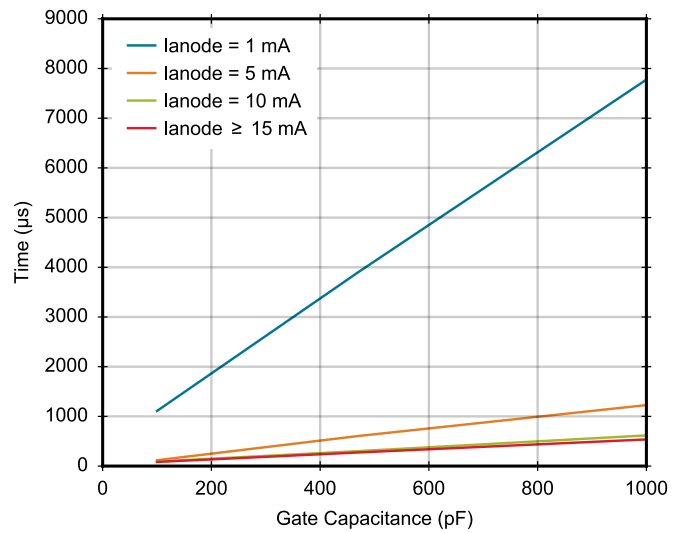


Figure 4.13. Si8752 Typical Turn-On Time vs. Capacitance and Anode Current (90% of Output)

5. Pin Descriptions

5.1 Si8751 Pin Descriptions

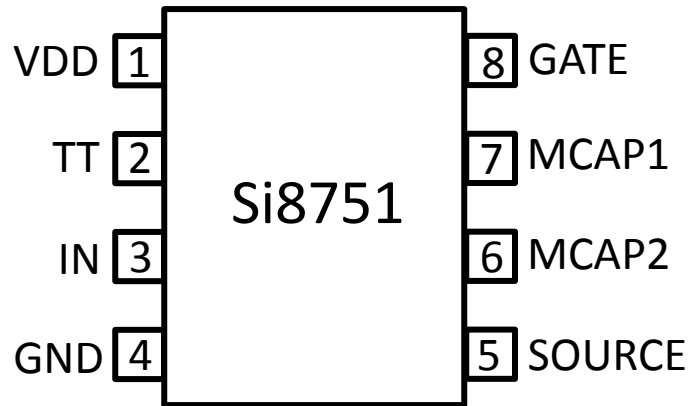


Figure 5.1. Pin Assignments Si8751

Table 5.1. Si8751 Pin Descriptions

| Pin | Name | Description |
|-----|--------|---|
| 1 | VDD | Input side power supply |
| 2 | TT | Turn-on time control (optional) |
| 3 | IN | Digital control input |
| 4 | GND | Input side ground |
| 5 | SOURCE | Connection to switch FET Source |
| 6 | MCAP2 | Miller capacitance control 2 (optional) |
| 7 | MCAP1 | Miller capacitance control 1 (optional) |
| 8 | GATE | Connection to switch FET Gate |

5.2 Si8752 Pin Descriptions

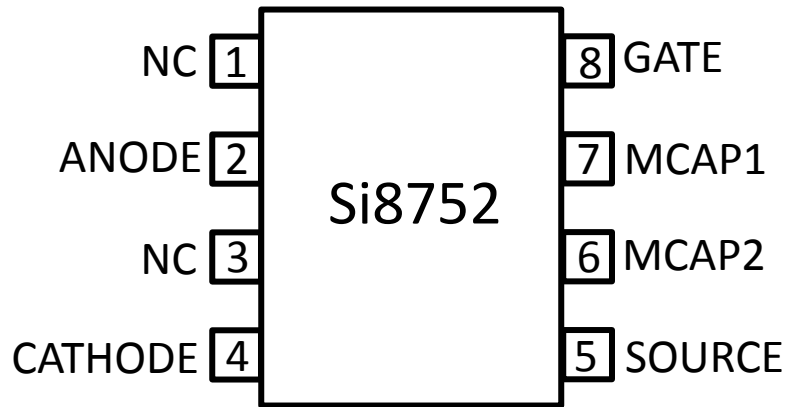


Figure 5.2. Pin Assignments Si8752

Table 5.2. Si8752 Pin Descriptions

| Pin | Name | Description |
|-----|---------|---|
| 1 | NC | No Connect |
| 2 | ANODE | Anode of LED emulator |
| 3 | NC | No Connect |
| 4 | CATHODE | Cathode of LED emulator |
| 5 | SOURCE | Connection to switch FET Source |
| 6 | MCAP2 | Miller capacitance control 2 (optional) |
| 7 | MCAP1 | Miller capacitance control 1 (optional) |
| 8 | GATE | Connection to switch FET Gate |

6. Package Outlines

6.1 Package Outline: 8-Pin Narrow Body SOIC

The figure below illustrates the package details for the Si875x in an 8-pin narrow-body SOIC package. The table below lists the values for the dimensions shown in the illustration.

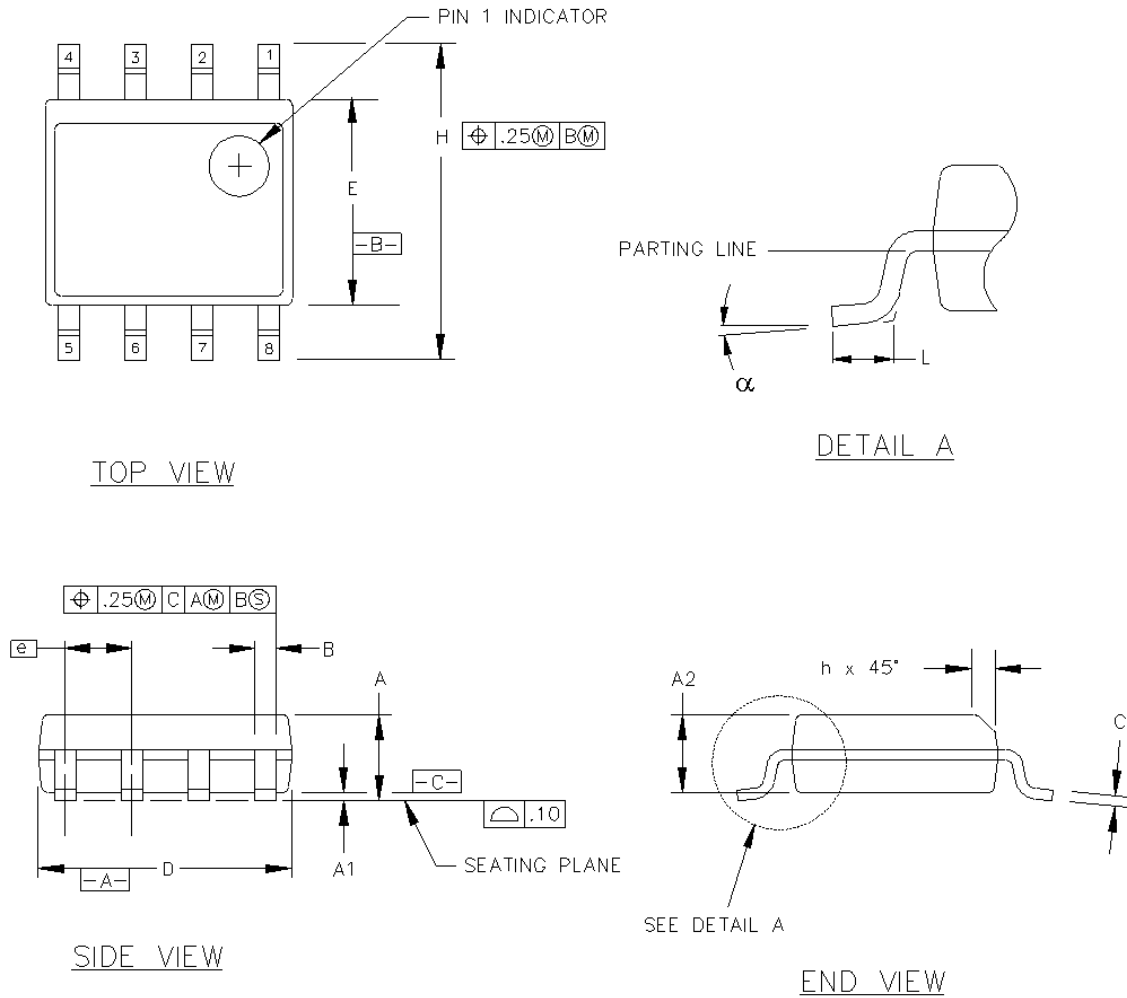


Figure 6.1. 8-Pin Narrow Body SOIC Package

Table 6.1. 8-Pin Narrow Body SOIC Package Diagram Dimensions

| Symbol | Millimeters | |
|----------|-------------|----------|
| | Min | Max |
| A | 1.35 | 1.75 |
| A1 | 0.10 | 0.25 |
| A2 | 1.40 REF | 1.55 REF |
| B | 0.33 | 0.51 |
| C | 0.19 | 0.25 |
| D | 4.80 | 5.00 |
| E | 3.80 | 4.00 |
| e | 1.27 BSC | |
| H | 5.80 | 6.20 |
| h | 0.25 | 0.50 |
| L | 0.40 | 1.27 |
| α | 0° | 8° |

7. Land Patterns

7.1 Land Pattern: 8-Pin Narrow Body SOIC

The figure below illustrates the recommended land pattern details for the Si875x in an 8-pin narrow-body SOIC. The table below lists the values for the dimensions shown in the illustration.

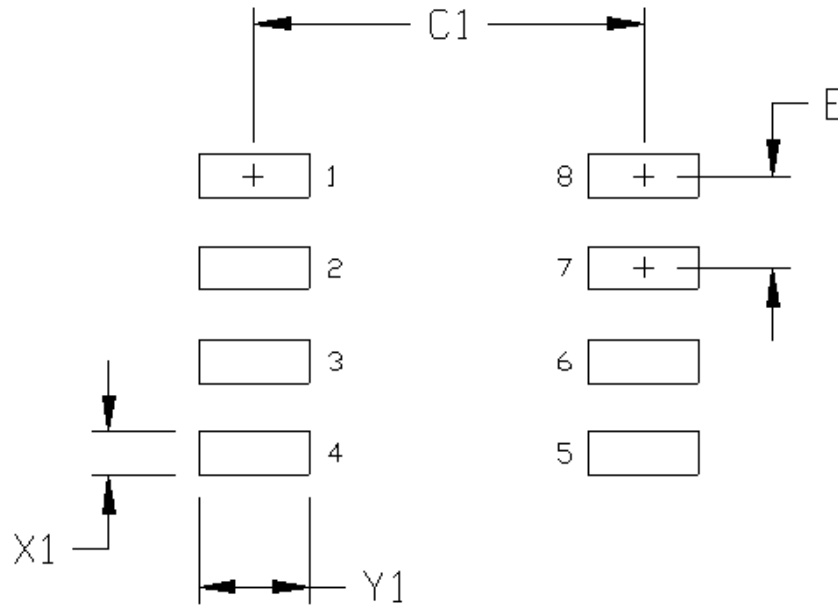


Figure 7.1. 8-Pin Narrow Body SOIC Land Pattern

Table 7.1. 8-Pin Narrow Body SOIC Land Pattern Dimensions

| Dimension | Feature | (mm) |
|-----------|--------------------|------|
| C1 | Pad Column Spacing | 5.40 |
| E | Pad Row Pitch | 1.27 |
| X1 | Pad Width | 0.60 |
| Y1 | Pad Length | 1.55 |

Notes:

1. This Land Pattern Design is based on IPC-7351 pattern SOIC127P600X173-8N for Density Level B (Median Land Protrusion).
2. All feature sizes shown are at Maximum Material Condition (MMC) and a card fabrication tolerance of 0.05 mm is assumed.

8. Top Markings

8.1 8-Pin Narrow Body SOIC

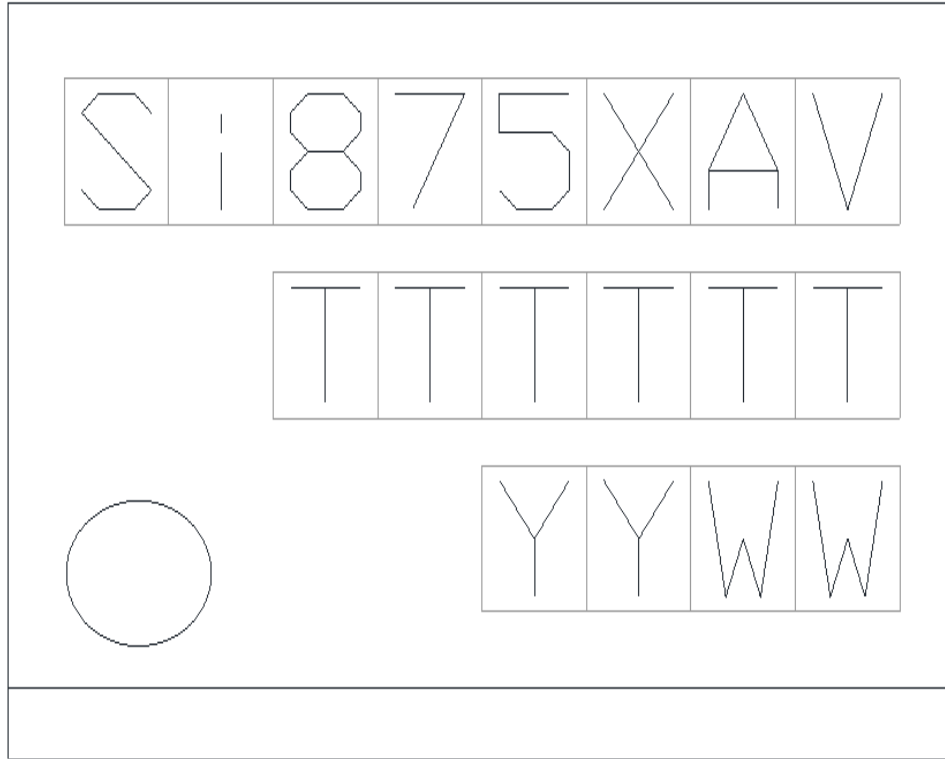


Table 8.1. Top Marking Explanation

| | | |
|------------------------|-----------------------------|---|
| Line 1 Marking: | Customer Part Number | Si875 = ISOdriver product series X: 1 = Digital input, 2 = LED emulator input A: Reserved V: B = 2.5 kV isolation rating |
| Line 2 Marking: | TTTTT = Mfg code | Manufacturing Code from Assembly Purchase Order form. |
| Line 3 Marking: | YY = Year WW = Work week | Assigned by the Assembly House. Corresponds to the year and workweek of the mold date. |

9. Revision History

Revision 1.0, December 2017

- Significant edits with production electrical specifications and load switching diagram.

Revision 0.5, September 2016

- Significant edits with production electrical specifications.

Revision 0.1, May 2016

- Initial revision.

Table of Contents

| | |
|---|-----------|
| 1. Ordering Guide | 2 |
| 2. System Overview | 3 |
| 2.1 Device Behavior | 4 |
| 2.2 Power Supply Connections (Si8751 Only) | 5 |
| 2.3 TT Pin Description (Si8751 Only) | 5 |
| 2.4 LED Emulator Input (Si8752 Only) | 5 |
| 2.5 Output Description | 6 |
| 2.6 Miller Clamp | 6 |
| 2.6.1 Miller Clamp Description | 6 |
| 2.6.2 Sizing Miller Clamp Capacitors | 6 |
| 3. Applications | 7 |
| 3.1 DC SSR Example | 7 |
| 3.2 AC SSR Example | 7 |
| 4. Electrical Specifications | 8 |
| 4.1 Test Circuits | 10 |
| 4.2 Regulatory Information | 10 |
| 4.3 Typical Operating Characteristics | 16 |
| 5. Pin Descriptions | 19 |
| 5.1 Si8751 Pin Descriptions | 19 |
| 5.2 Si8752 Pin Descriptions | 20 |
| 6. Package Outlines | 21 |
| 6.1 Package Outline: 8-Pin Narrow Body SOIC | 21 |
| 7. Land Patterns | 23 |
| 7.1 Land Pattern: 8-Pin Narrow Body SOIC | 23 |
| 8. Top Markings | 24 |
| 8.1 8-Pin Narrow Body SOIC | 24 |
| 9. Revision History | 25 |



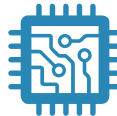
SKYWORKS®

**Connecting Everyone
and Everything,
All the Time**



Portfolio

www.skyworksinc.com



Quality

www.skyworksinc.com/quality



Support & Resources

www.skyworksinc.com/support

Copyright © 2021 Skyworks Solutions, Inc. All Rights Reserved.

Information in this document is provided in connection with Skyworks Solutions, Inc. ("Skyworks") products or services. These materials, including the information contained herein, are provided by Skyworks as a service to its customers and may be used for informational purposes only by the customer. Skyworks assumes no responsibility for errors or omissions in these materials or the information contained herein. Skyworks may change its documentation, products, services, specifications or product descriptions at any time, without notice. Skyworks makes no commitment to update the materials or information and shall have no responsibility whatsoever for conflicts, incompatibilities, or other difficulties arising from any future changes.

No license, whether express, implied, by estoppel or otherwise, is granted to any intellectual property rights by this document. Skyworks assumes no liability for any materials, products or information provided hereunder, including the sale, distribution, reproduction or use of Skyworks products, information or materials, except as may be provided in Skyworks' Terms and Conditions of Sale.

THE MATERIALS, PRODUCTS AND INFORMATION ARE PROVIDED "AS IS" WITHOUT WARRANTY OF ANY KIND, WHETHER EXPRESS, IMPLIED, STATUTORY, OR OTHERWISE, INCLUDING FITNESS FOR A PARTICULAR PURPOSE OR USE, MERCHANTABILITY, PERFORMANCE, QUALITY OR NON-INFRINGEMENT OF ANY INTELLECTUAL PROPERTY RIGHT; ALL SUCH WARRANTIES ARE HEREBY EXPRESSLY DISCLAIMED. SKYWORKS DOES NOT WARRANT THE ACCURACY OR COMPLETENESS OF THE INFORMATION, TEXT, GRAPHICS OR OTHER ITEMS CONTAINED WITHIN THESE MATERIALS. SKYWORKS SHALL NOT BE LIABLE FOR ANY DAMAGES, INCLUDING BUT NOT LIMITED TO ANY SPECIAL, INDIRECT, INCIDENTAL, STATUTORY, OR CONSEQUENTIAL DAMAGES, INCLUDING WITHOUT LIMITATION, LOST REVENUES OR LOST PROFITS THAT MAY RESULT FROM THE USE OF THE MATERIALS OR INFORMATION, WHETHER OR NOT THE RECIPIENT OF MATERIALS HAS BEEN ADVISED OF THE POSSIBILITY OF SUCH DAMAGE.

Skyworks products are not intended for use in medical, lifesaving or life-sustaining applications, or other equipment in which the failure of the Skyworks products could lead to personal injury, death, physical or environmental damage. Skyworks customers using or selling Skyworks products for use in such applications do so at their own risk and agree to fully indemnify Skyworks for any damages resulting from such improper use or sale.

Customers are responsible for their products and applications using Skyworks products, which may deviate from published specifications as a result of design defects, errors, or operation of products outside of published parameters or design specifications. Customers should include design and operating safeguards to minimize these and other risks. Skyworks assumes no liability for applications assistance, customer product design, or damage to any equipment resulting from the use of Skyworks products outside of Skyworks' published specifications or parameters.

Skyworks, the Skyworks symbol, Sky5®, SkyOne®, SkyBlue™, Skyworks Green™, Clockbuilder®, DSPLL®, ISOModem®, ProSLIC®, and SiPHY® are trademarks or registered trademarks of Skyworks Solutions, Inc. or its subsidiaries in the United States and other countries. Third-party brands and names are for identification purposes only and are the property of their respective owners. Additional information, including relevant terms and conditions, posted at www.skyworksinc.com, are incorporated by reference.

Skyworks Solutions, Inc. | Nasdaq: SWKS | sales@skyworksinc.com | www.skyworksinc.com

USA: 781-376-3000 | Asia: 886-2-2735 0399 | Europe: 33 (0)1 43548540 | [in](https://www.linkedin.com/company/skyworks) [f](https://www.facebook.com/skyworks) [t](https://twitter.com/skyworks) [y](https://www.youtube.com/skyworks)

X-ON Electronics

Largest Supplier of Electrical and Electronic Components

Click to view similar products for [Power Management IC Development Tools](#) category:

Click to view products by [Silicon Labs](#) manufacturer:

Other Similar products are found below :

[EVAL-ADM1168LQEBZ](#) [EVB-EP5348UI](#) [MIC23451-AAAYFL EV](#) [MIC5281YMME EV](#) [DA9063-EVAL](#) [ADP122-3.3-EVALZ](#) [ADP130-0.8-EVALZ](#) [ADP130-1.2-EVALZ](#) [ADP130-1.5-EVALZ](#) [ADP130-1.8-EVALZ](#) [ADP1714-3.3-EVALZ](#) [ADP1716-2.5-EVALZ](#) [ADP1740-1.5-EVALZ](#) [ADP1752-1.5-EVALZ](#) [ADP1828LC-EVALZ](#) [ADP1870-0.3-EVALZ](#) [ADP1871-0.6-EVALZ](#) [ADP1873-0.6-EVALZ](#) [ADP1874-0.3-EVALZ](#) [ADP1882-1.0-EVALZ](#) [ADP199CB-EVALZ](#) [ADP2102-1.25-EVALZ](#) [ADP2102-1.875EVALZ](#) [ADP2102-1.8-EVALZ](#) [ADP2102-2-EVALZ](#) [ADP2102-3-EVALZ](#) [ADP2102-4-EVALZ](#) [ADP2106-1.8-EVALZ](#) [ADP2147CB-110EVALZ](#) [AS3606-DB](#) [BQ24010EVM](#) [BQ24075TEVM](#) [BQ24155EVM](#) [BQ24157EVM-697](#) [BQ24160EVM-742](#) [BQ24296MEVM-655](#) [BQ25010EVM](#) [BQ3055EVM](#) [NCV891330PD50GEVB](#) [ISLUSBI2CKIT1Z](#) [LM2744EVAL](#) [LM2854EVAL](#) [LM3658SD-AEV/NOPB](#) [LM3658SDEV/NOPB](#) [LM3691TL-1.8EV/NOPB](#) [LM4510SDEV/NOPB](#) [LM5033SD-EVAL](#) [LP38512TS-1.8EV](#) [EVAL-ADM1186-1MBZ](#) [EVAL-ADM1186-2MBZ](#)