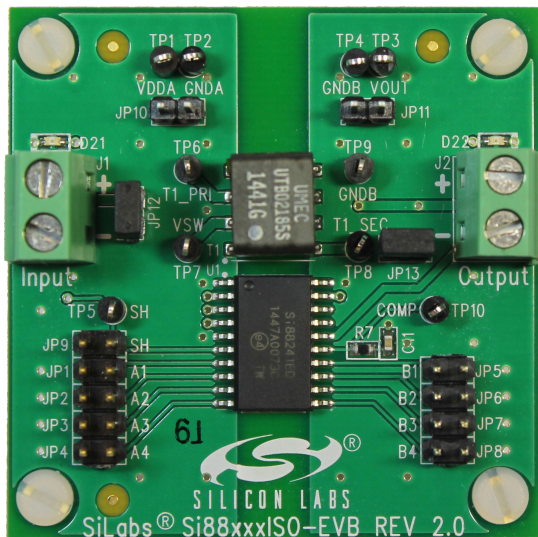


UG232: Si88xxxISO-EVB User's Guide

This document describes the operation of the Si88xxxISO-EVB.



Si88xxxISO-EVB Overview

KIT CONTENTS

- Discusses the hardware overview and setup
- Shows the Si88xxxISO-EVB schematics and layout
- Lists the bill of materials for the Si88xxxISO-EVB
- Includes the ordering guide for the evaluation board kit.

KIT CONTENTS

- Si88xxxISO-EVB
- Si88241ED-IS installed on the evaluation board.

1. Hardware Overview and Setup

Power the EVB by applying a 3.0 to 5.5 V dc supply to terminal block J1. The isolated output is available at terminal block J2. Test points for these are available at the upper edge of the EVB.

The default EVB configuration has the header JP13 shorted, so the dc-dc output powers the VDDDB supply (U1 pin 19) of the Si88241ED-IS. The acceptable input voltage to the VDDDB supply pin is 3.0 to 5.5 V. If the user chooses to generate an output voltage outside this voltage range, the jumper at JP13 must be removed and a separate supply source connected to VDDDB through JP13.

To measure input supply current, clip a differential probe across JP12 to access each side of sense resistor R20.

The SH input (U1 pin 7) disables the dc-dc converter function. Install a jumper across JP9 to pull the SH input high and disable the dc-dc converter. If interfacing to an external controller board through the JP9 header, the controller must drive SH low for normal operation and high to disable the dc-dc.

The EVB has a series of headers for connecting to each digital channel. The inside conductor of each 2x1 header is connected to the device pin and the outer conductor is tied to ground through a protection resistor. Connect to each side of the Si88xxxISO-EVB to external controllers through a two-row ribbon cables with one row grounded.

2. Si88xxxISO-EVB Schematics

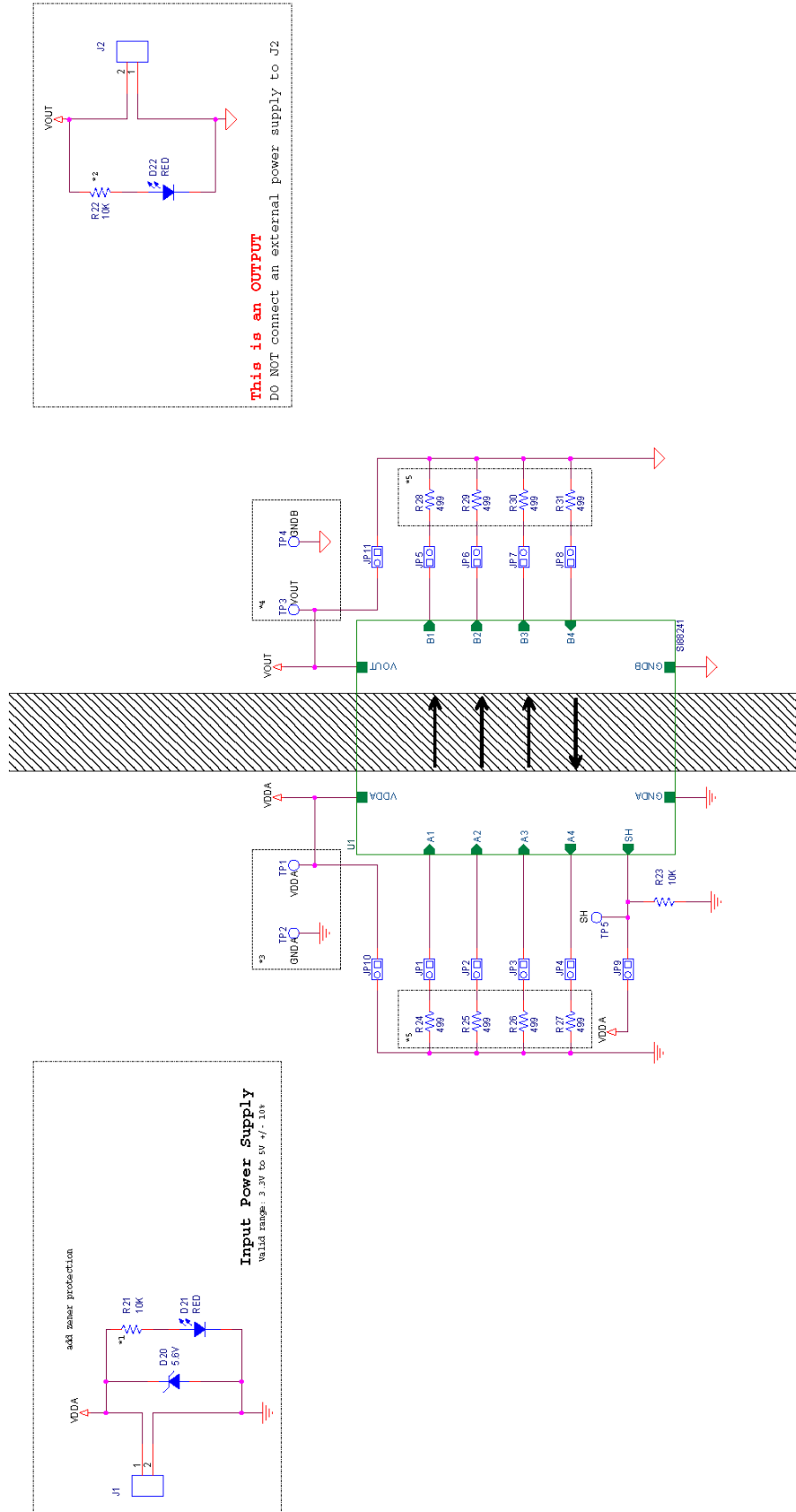
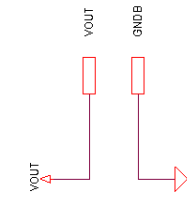


Figure 2.1. Si88xxxISO-EVB Schematic (1 of 2)



Default RVB Converter Configuration:
VDDA = 3.3V to 5V +/- 10%
VOUT = 5V
 For VOUT of 3.3V, change R1 to 43.2k and R2 to 20.0k

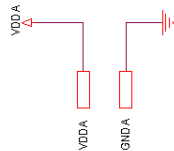
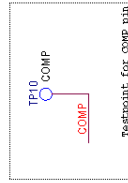
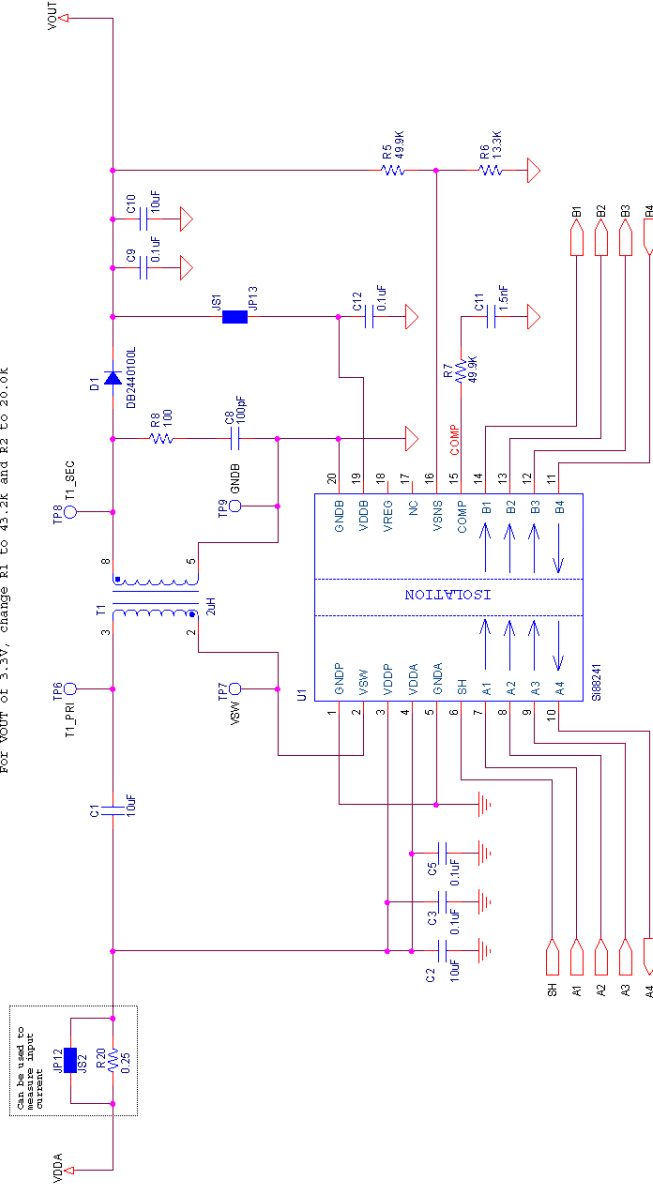


Figure 2.2. Si88xxxISO-EVB Schematic (2 of 2)

4. Bill of Materials

Table 4.1. Si88xxxISO-EVB Bill of Materials

Part Reference	Description	Mfr	Mfr Part Number
C1 C2 C10	CAP, 10 μ F, 10 V, \pm 10%, X7R, 1206	Venkel	C1206X7R100-106K
C3 C5 C9 C12	CAP, 0.1 μ F, 10 V, \pm 10%, X7R, 0603	Venkel	C0603X7R100-104K
C8	CAP, 100 pF, 50 V, \pm 10%, X7R, 0603	Venkel	C0603X7R500-101K
C11	CAP, 1.5 nF, 16 V, \pm 10%, X7R, 0603	Venkel	C0603X7R160-152K
D1	DIO, FAST, 40 V, 1.0A, SOD-128	Panasonic	DB2440100L
D20	DIO, ZENER, 5.6 V, 500 mW, SOD123	On Semi	MMSZ5232BT1
D21 D22	LED, RED, 631 nM, 20 mA, 2 V, 54mcd, 0603	Lite-On	LTST-C190KRKT
J1 J2	CONN, TERM BLOCK 2POS, 5MM PCB	Phoenix Contact	1729018
JP1 JP2 JP3 JP4 JP5 JP6 JP7 JP8 JP9 JP10 JP11 JP12 JP13	Header, 2x1, 0.1in pitch, Tin Plated	Samtec	TSW-102-07-T-S
JS1 JS2	Shunt, 1x2, 0.1in pitch, Tin plating	Samtec	SNT-100-BK-T
MH1 MH2 MH3 MH4	HDW, Screw, 4-40 x 1/4" Pan Head, Slotted, Nylon	Richco Plastic Co	NSS-4-4-01
R5 R7	RES, 49.9K, 1/10W, \pm 1%, ThickFilm, 0603	Venkel	CR0603-10W-4992F
R6	RES, 13.3K, 1/16W, \pm 1%, ThickFilm, 0603	Venkel	CR0603-16W-1332F
R8	RES, 100 Ω , 1/16W, \pm 1%, ThickFilm, 0603	Venkel	CR0603-16W-1000F
R20	RES, 0.25 Ω , 1/2W, \pm 1%, ThickFilm, 1206	Venkel	LCR1206-R250J
R21 R22 R23	RES, 10K, 1/10W, \pm 5%, ThickFilm, 0603	Venkel	CR0603-10W-103J
R24 R25 R26 R27 R28 R29 R30 R31	RES, 499 Ω , 1/10W, \pm 1%, ThickFilm, 0603	Venkel	CR0603-10W-4990F
SO1 SO2 SO3 SO4	HDW, STANDOFF, 1/4" HEX, 4-40x3/4", NYLON	Keystone	1902D
T1	TRANSFORMER, POWER, FLYBACK, 2.0 μ H PRIMARY, 100 nH LEAKAGE, 1:4, 1 TAP, SMT	UMEC	UTB02185S
TP1 TP2 TP3 TP4 TP5 TP6 TP7 TP8 TP9 TP10	TESTPOINT, BLACK, PTH	Kobiconn	151-203-RC
U1	IC, ISOLATOR, DC DC Internal Switch, SH, 4 Digital Ch, SO20 WB	Silicon Labs	Si88241ED-IS

5. Ordering Guide

Table 5.1. Si88xxxISO-EVB Ordering Guide

Ordering Part Number (OPN)	Description
Si88xxxISO-KIT	Si88xxx dc-dc digital isolator evaluation board kit



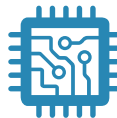
SKYWORKS®

**Connecting Everyone
and Everything,
All the Time**



Portfolio

www.skyworksinc.com



Quality

www.skyworksinc.com/quality



Support & Resources

www.skyworksinc.com/support

Copyright © 2021 Skyworks Solutions, Inc. All Rights Reserved.

Information in this document is provided in connection with Skyworks Solutions, Inc. ("Skyworks") products or services. These materials, including the information contained herein, are provided by Skyworks as a service to its customers and may be used for informational purposes only by the customer. Skyworks assumes no responsibility for errors or omissions in these materials or the information contained herein. Skyworks may change its documentation, products, services, specifications or product descriptions at any time, without notice. Skyworks makes no commitment to update the materials or information and shall have no responsibility whatsoever for conflicts, incompatibilities, or other difficulties arising from any future changes.

No license, whether express, implied, by estoppel or otherwise, is granted to any intellectual property rights by this document. Skyworks assumes no liability for any materials, products or information provided hereunder, including the sale, distribution, reproduction or use of Skyworks products, information or materials, except as may be provided in Skyworks' Terms and Conditions of Sale.

THE MATERIALS, PRODUCTS AND INFORMATION ARE PROVIDED "AS IS" WITHOUT WARRANTY OF ANY KIND, WHETHER EXPRESS, IMPLIED, STATUTORY, OR OTHERWISE, INCLUDING FITNESS FOR A PARTICULAR PURPOSE OR USE, MERCHANTABILITY, PERFORMANCE, QUALITY OR NON-INFRINGEMENT OF ANY INTELLECTUAL PROPERTY RIGHT; ALL SUCH WARRANTIES ARE HEREBY EXPRESSLY DISCLAIMED. SKYWOKS DOES NOT WARRANT THE ACCURACY OR COMPLETENESS OF THE INFORMATION, TEXT, GRAPHICS OR OTHER ITEMS CONTAINED WITHIN THESE MATERIALS. SKYWOKS SHALL NOT BE LIABLE FOR ANY DAMAGES, INCLUDING BUT NOT LIMITED TO ANY SPECIAL, INDIRECT, INCIDENTAL, STATUTORY, OR CONSEQUENTIAL DAMAGES, INCLUDING WITHOUT LIMITATION, LOST REVENUES OR LOST PROFITS THAT MAY RESULT FROM THE USE OF THE MATERIALS OR INFORMATION, WHETHER OR NOT THE RECIPIENT OF MATERIALS HAS BEEN ADVISED OF THE POSSIBILITY OF SUCH DAMAGE.

Skyworks products are not intended for use in medical, lifesaving or life-sustaining applications, or other equipment in which the failure of the Skyworks products could lead to personal injury, death, physical or environmental damage. Skyworks customers using or selling Skyworks products for use in such applications do so at their own risk and agree to fully indemnify Skyworks for any damages resulting from such improper use or sale.

Customers are responsible for their products and applications using Skyworks products, which may deviate from published specifications as a result of design defects, errors, or operation of products outside of published parameters or design specifications. Customers should include design and operating safeguards to minimize these and other risks. Skyworks assumes no liability for applications assistance, customer product design, or damage to any equipment resulting from the use of Skyworks products outside of Skyworks' published specifications or parameters.

Skyworks, the Skyworks symbol, Sky5®, SkyOne®, SkyBlue™, Skyworks Green™, Clockbuilder®, DSPLL®, ISOModem®, ProSLIC®, and SiPHY® are trademarks or registered trademarks of Skyworks Solutions, Inc. or its subsidiaries in the United States and other countries. Third-party brands and names are for identification purposes only and are the property of their respective owners. Additional information, including relevant terms and conditions, posted at www.skyworksinc.com, are incorporated by reference.

X-ON Electronics

Largest Supplier of Electrical and Electronic Components

Click to view similar products for [Interface Development Tools](#) category:

Click to view products by [Silicon Labs](#) manufacturer:

Other Similar products are found below :

[DP130SSEVM](#) [ISO3086TEVM-436](#) [ADP5585CP-EVALZ](#) [CHA2066-99F](#) [AS8650-DB](#) [MLX80104 TESTINTERFACE](#) [I2C-CPEV/NOPB](#)
[ISO35TEVM-434](#) [416100120-3](#) [XR18910ILEVB](#) [XR21B1421IL28-0A-EVB](#) [EVAL-ADM2491EEBZ](#) [MAXREFDES23DB#](#)
[MAX9286COAXEVKIT#](#) [MAX3100EVKIT](#) [MAX13235EEVKIT](#) [MAX14970EVKIT#](#) [XR21B1424IV64-0A-EVB](#) [CMOD232+](#)
[MAX13042EEVKIT+](#) [MAX14838EVKIT#](#) [MAXCAM705OV635AAA#](#) [MAX9205EVKIT](#) [DS100BR111AEVK/NOPB](#) [DC241C](#)
[MAX9286RCARH3DB#](#) [MAX13035EEVKIT+](#) [DC1794A](#) [SN65HVS885EVM](#) [EVB81112-A1](#) [DFR0257](#) [ZLR964122L](#) [ZLR88822L](#)
[DC196A-B](#) [DC196A-A](#) [DC327A](#) [OM13585UL](#) [MAX16972AGEEVKIT#](#) [MARS1-DEMO3-ADAPTER-GEVB](#) [MAX7315EVKIT+](#) [PIM511](#)
[PIM536](#) [PIM517](#) [DEV-17512](#) [STR-FUSB3307MPX-PPS-GEVK](#) [MAXREFDES177#](#) [EVAL-ADM2567EEBZ](#) [EVAL-ADN4654EBZ](#)
[MAX9275COAXEVKIT#](#) [MAX2202XEVKIT#](#)