

ISOLATED MONITORING ADC

Features

- ADC
 - 3 input channels
 - 10-bit resolution
 - 2 μ s conversion time
- Isolated serial I/O port
 - UART (Si8900)
 - I²C/SMbus (Si8901)
 - 2.5 MHz SPI port (Si8902)
- Transient immunity: 45 kV/ μ s (typ)
- Temperature range: -40 to +85 °C
- >60-year life at rated working voltage
- CSA component notice 5A approval
- IEC 60950, 61010, 60601
- VDE/IEC 60747-5-2
- UL1577 recognized
 - Up to 5 kVrms for 1 minute

Applications

- Isolated data acquisition
- AC mains monitor
- Solar inverters
- Isolated temp/humidity sensing
- Switch mode power systems
- Telemetry

Description

The Si8900/1/2 series of isolated monitoring ADCs are useful as linear signal galvanic isolators, level shifters, and/or ground loop eliminators in many applications including power-delivery systems and solar inverters. These devices integrate a 10-bit SAR ADC subsystem, supervisory state machine and isolated UART (Si8900), I²C/SMbus port (Si8901), or SPI Port (Si8902) in a single package. Based on Silicon Labs' proprietary CMOS isolation technology, ordering options include a choice of 2.5 or 5 kV isolation ratings. All products are safety certified by UL, CSA, and VDE. The Si8900/1/2 devices offer a typical common-mode transient immunity performance of 45 kV/ μ s for robust performance in noisy and high-voltage environments. Devices in this family are available in 16-pin SOIC wide-body packages.

Safety Approval

- UL 1577 recognized
 - Upto 5 kVrms for 1 minute
- CSA component notice 5A approval
 - IEC 60950, 61010, 60601
- VDE certification conformity
- IED 60747-5-2 (VDE 0884 Part 2)

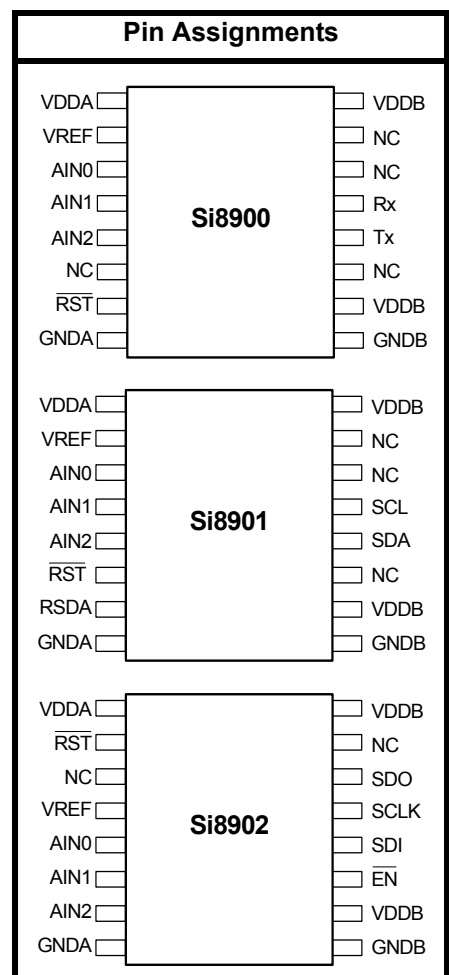
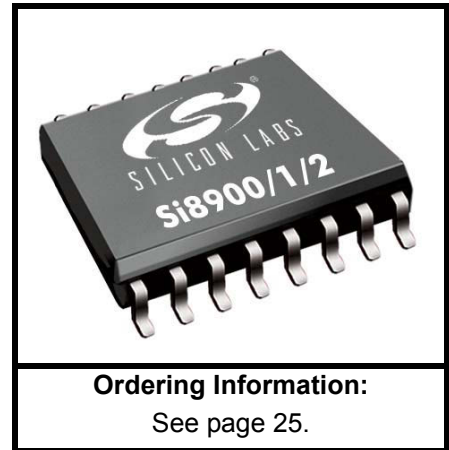


TABLE OF CONTENTS

<u>Section</u>	<u>Page</u>
1. Electrical Specifications	4
2. Regulatory Information	9
3. Functional Description	10
4. ADC Data Transmission Modes	11
4.1. UART (Si8900)	13
4.2. I ² C/SMBus (Si8901)	14
4.3. SPI Port (Si8902)	16
4.4. Master Controller Firmware	17
5. Si8900/1/2 Configuration Registers	18
6. Applications	20
6.1. Isolated Outputs	20
6.2. Device Reset	21
6.3. Application Example	22
7. Device Pin Assignments	23
8. Ordering Guide	25
9. Package Outline: 16-Pin Wide Body SOIC	26
10. Land Pattern: 16-Pin Wide-Body SOIC	28
11. Top Marking: 16-Pin Wide Body SOIC	29
11.1. Si8900/1/2 Top Marking	29
11.2. Top Marking Explanation	29
Document Change List	30
Contact Information	32

Si8900/1/2

1. Electrical Specifications

Table 1. Recommended Operating Conditions

Parameter	Symbol	Condition	Min	Typ	Max	Unit
Input Side Supply Voltage	V_{DDA}	With respect to GND1	2.7	—	3.6	V
Input Side Supply Current	I_{DDA}	$V_{DDA} = 3.3$ V, Si890x active	—	10	13.3	mA
		$V_{DDA} = 3.3$ V, Si890x idle	—	8.6	11.4	
Output Side Supply Voltage	V_{DDB}	With respect to GND2	2.7	—	5.5	V
Output Side Supply Current	I_{DDB}	$V_{DDB} = 3.3$ V to 5.5 V, Si890x active	—	4.4	5.8	mA
		$V_{DDB} = 3.3$ V to 5.5 V, Si890x idle	—	3.3	3.9	
Operating Temperature	T_A		-40	—	+85	°C

Table 2. Electrical Specifications

Parameter	Symbol	Test Condition	Min	Typ	Max	Unit
ADC						
Resolution	R		10			bits
Integral Nonlinearity	INL	$V_{REF} = 2.4$ V	—	± 0.5	± 1	LSB
Differential Nonlinearity	DNL	$V_{REF} = 2.4$ V, Guaranteed Monotonic	—	± 0.5	± 1	LSB
Offset Error	OFS		-2	0	+2	LSB
Full Scale Error	FSE		-2	0	+2	LSB
Offset Tempco	T_{OS}		—	45	—	ppm/°C
Input Voltage Range	V_{IN}		0		V_{REF}	V
Sampling Capacitance	C_{IN}		—	5	—	pF
Input MUX Impedance	R_{MUX}		—	5	—	k Ω
Power Supply Rejection	PSRR		—	-70	—	dB
Reference Voltage	V_{REF}	Default $V_{REF} = V_{DDA}$	0	—	V_{DDA}	V
VREF Supply Current	I_{VREF}		—	12	—	μ A
ADC Conversion Time	t_{CONV}			2		μ s

Table 2. Electrical Specifications (Continued)

Parameter	Symbol	Test Condition	Min	Typ	Max	Unit
Reset and Undervoltage Lockout						
Power-on RESET Voltage Threshold High	VRSTH		—	—	1.8	V
Power-on RESET Voltage Threshold Low	VRSTL		1.7	—	—	V
VDDA Power-On Reset Ramp Time	tRAMP	Time from VDDA = 0 V to VDDA ≥ VRST	—	—	1	ms
Power-On Reset Delay Time	tPOR	tRAMP < 1 ms			0.3	ms
Output Side UVLO Threshold	UVLO		—	2.3	—	V
Output side UVLO Hysteresis	H		—	100	—	mV
Digital Inputs						
Logic High Level Input Voltage	V _{IH}		0.7 × V _{DDB}	—	—	V
Logic Low Level Input Voltage	V _{IL}		—	—	0.6	V
Logic Input Current	I _{IN}	V _{IN} = 0 V or V _{DD}	−10		+10	μA
Input Capacitance	C _{IN}		—	15	—	pF
Digital Outputs						
Logic High Level Output Voltage	V _{OH}	V _{DDB} = 5 V, I _{OH} = −4 mA	V _{DDB} −0.4	4.8	—	V
		V _{DDB} = 3.3 V, I _{OH} = −4 mA	3.1	—	—	V
Logic Low Level Output Voltage	V _{OL}	V _{DDB} = 3.3 to 5 V, I _{OL} = 4 mA	—	0.2	0.4	V
Digital Output Series Impedance	R _{OUT}		—	85	—	Ω
Serial Ports						
UART Bit Rate			60	—	234	kbps
SMBus/I ² C Bit Rate		Slave Address = 1111000x	—	—	240	kbps
SPI Port			—	—	2.5	Mbps

Table 2. Electrical Specifications (Continued)

Parameter	Symbol	Test Condition	Min	Typ	Max	Unit
SPI Port Timing						
\overline{EN} Falling Edge to SCLK Rising Edge	t_{SE}		80	—	—	ns
Last Clock Edge to \overline{EN} Rising	t_{SD}		80	—	—	ns
\overline{EN} Falling to SDO Valid	t_{SEZ}		—	—	160	ns
\overline{EN} Rising to SDO High-Z	t_{SDZ}		—	—	160	ns
SCLK High Time	t_{CKH}		200	—	—	ns
SCLK Low Time	t_{CKL}		200	—	—	ns
SDI Valid to SCLK Sample Edge	t_{SIS}		80	—	—	ns
SCLK Sample Edge to SDI Change	t_{SIH}		80	—	—	ns
SCLK Shift Edge to SDO Change	t_{SOH}		—	—	160	ns

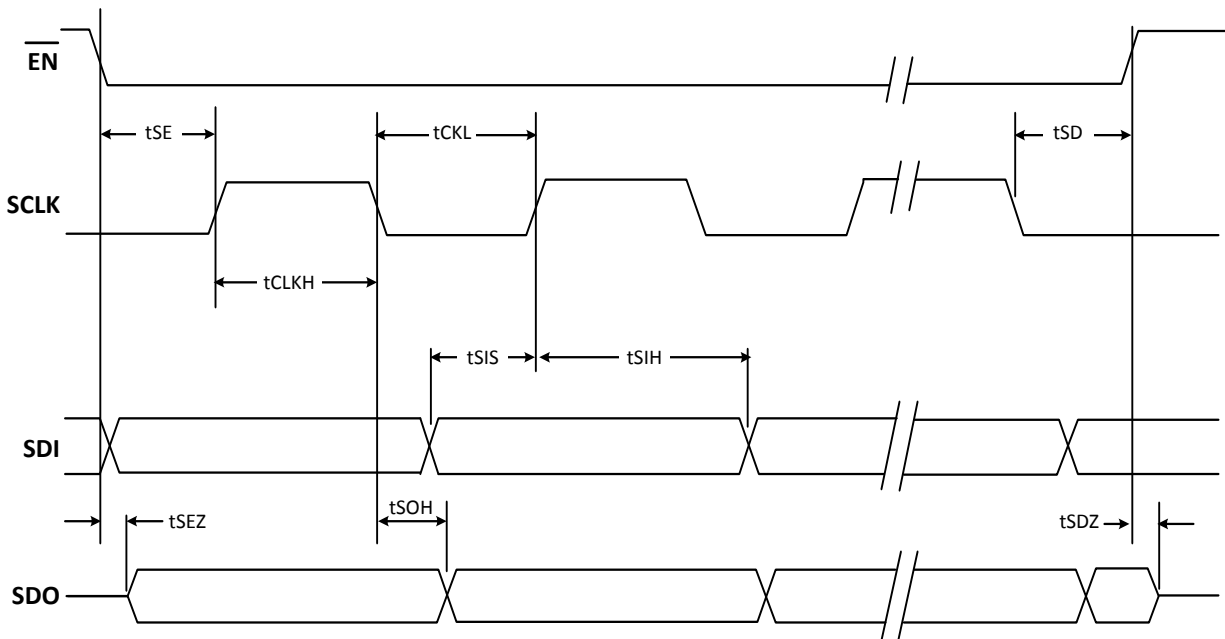


Figure 1. SPI Port Timing Characteristics

Table 3. Thermal Characteristics

Parameter	Symbol	Test Condition	WB SOIC-16	NB SOIC-16	Unit
IC Junction-to-Air Thermal Resistance	θ_{JA}		100	105	$^{\circ}\text{C}/\text{W}$

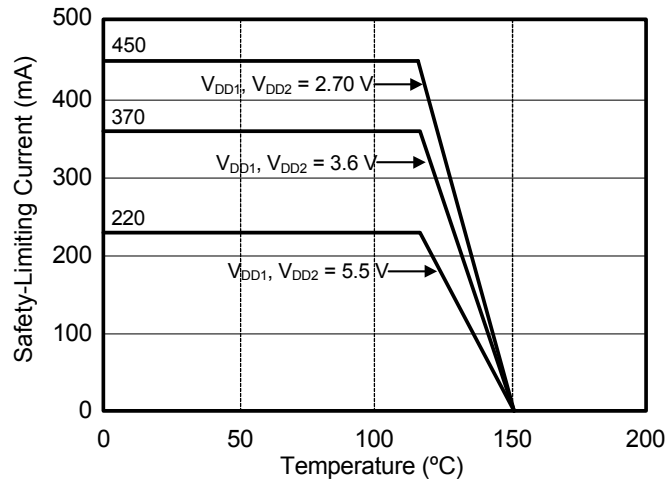


Figure 2. (WB SOIC-16) Thermal Derating Curve, Dependence of Safety Limiting Values with Case Temperature per DIN EN 60747-5-2

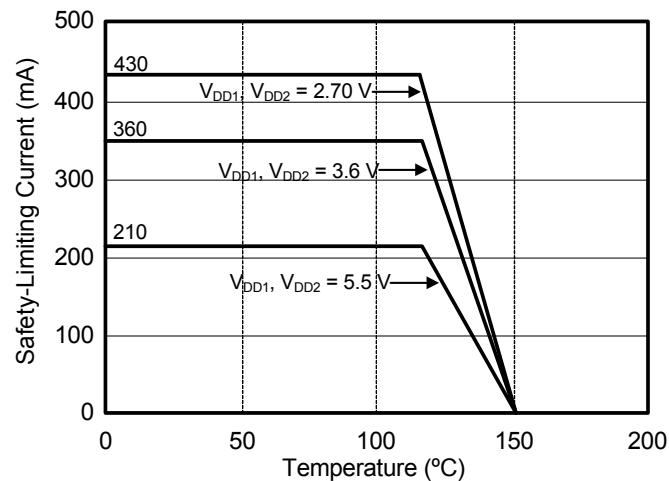


Figure 3. (NB SOIC-16) Thermal Derating Curve, Dependence of Safety Limiting Values with Case Temperature per DIN EN 60747-5-2

Table 4. Absolute Maximum Ratings

Parameter	Symbol	Min	Typ	Max	Unit
Storage Temperature	T_{STG}	-65	—	150	°C
Ambient Temperature under Bias	T_A	-40	—	85	°C
Input-Side Supply Voltage	V_{DDA}	-0.5	—	6.0	V
Output-Side Supply Voltage	V_{DDB}	-0.5	—	6.0	V
Input/Output Voltage	V_I	-0.5	—	VDD +0.5	V
Output Current Drive	I_O	—	—	10	mA
Lead Solder Temperature (10 s)		—	—	260	°C
Maximum Isolation Voltage		—	—	6500	V_{RMS}

***Note:** Permanent device damage may occur if the absolute maximum ratings are exceeded. Functional operation should be restricted to conditions as specified in the operational sections of this data sheet. Exposure to absolute maximum rating conditions for extended periods may affect device reliability.

2. Regulatory Information

The Si8900/1/2 family is certified by Underwriters Laboratories, CSA International, and VDE. Table 5 summarizes the certification levels supported.

Table 5. Regulatory Information

<p>CSA</p> <p>The Si89xx is certified under CSA Component Acceptance Notice 5A. For more details, see File 232873. 61010-1: Up to 600 VRMS reinforced insulation working voltage; up to 600 VRMS basic insulation working voltage. 60950-1: Up to 600 VRMS reinforced insulation working voltage; up to 1000 VRMS basic insulation working voltage. 60601-1: Up to 125 VRMS reinforced insulation working voltage; up to 380 VRMS basic insulation working voltage.</p>
<p>VDE</p> <p>The Si89xx is certified according to IEC 60747-5-2. For more details, see File 5006301-4880-0001. 60747-5-2: Up to 1200 Vpeak for basic insulation working voltage. 60950-1: Up to 600 VRMS reinforced insulation working voltage; up to 1000 VRMS basic insulation working voltage.</p>
<p>UL</p> <p>The Si89xx is certified under UL1577 component recognition program. For more details, see File E257455. Rated up to 5000 VRMS isolation voltage for basic protection.</p>

3. Functional Description

The Si8900/1/2 (Figure 4) are isolated monitoring ADCs that convert linear input signals into digital format and transmit the resulting data through an on-chip isolated serial port to an external master processor (typically a microcontroller). The Si890x access protocol is simple: The master configures and controls the start of ADC conversion by writing a configuration register (CNFG_0) Command Byte to the Si890x. The master then acquires ADC conversion data by reading the Si890x serial port. Devices in this series differ only in the type of serial port. Options include a UART with on-chip baud rate generator that operates at 234 kbps max (Si8900), an SMBus/I²C port that operates at 240 kbps max (Si8901), and an SPI Port that operates at 2.5 MHz max (Si8902).

The integrated ADC subsystem consists of a three-channel analog input multiplexer (MUX) followed by a series gain amplifier (selectable 1x or 0.5x gain) and 10-bit SAR ADC. Serial-port-accessible ADC options allow the user to select an internal or external voltage reference, set the programmable gain amplifier (PGA), and select the ADC MUX address. The master can configure the Si890x to return ADC data on-demand (Demand Mode) or continuously (Burst Mode). For more information, see "CNFG_0 Command Byte" on page 18.

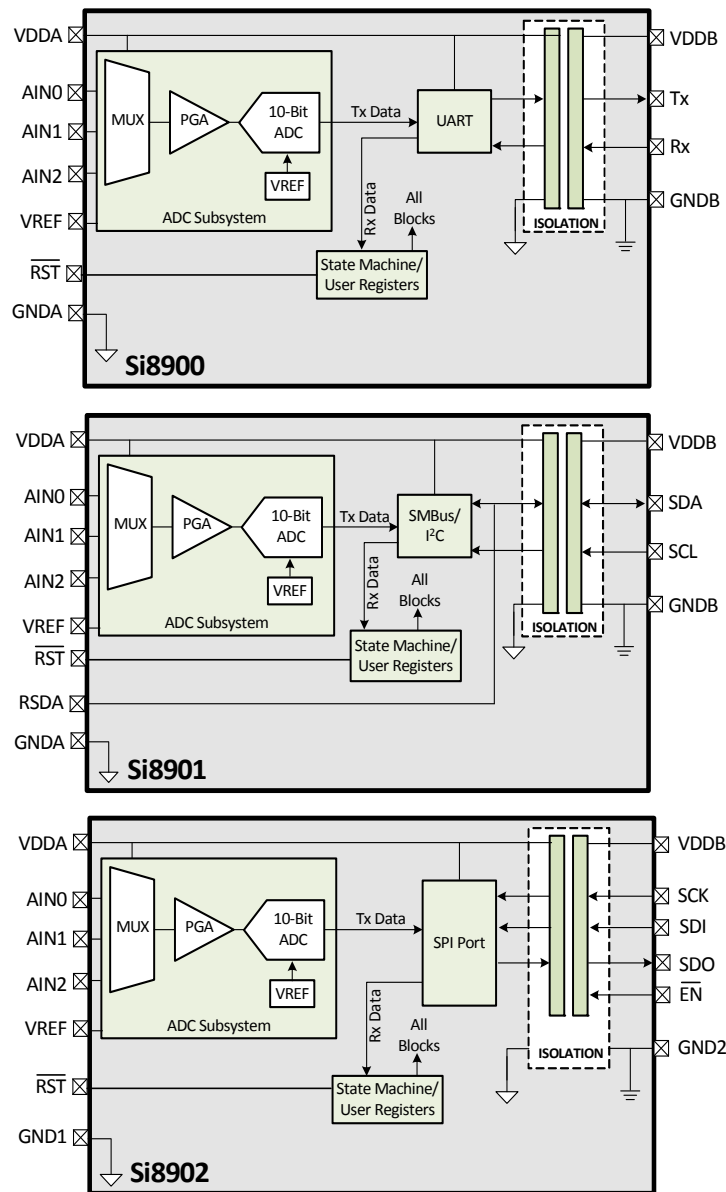


Figure 4. Si8900/1/2 Block Diagrams

4. ADC Data Transmission Modes

The master can access ADC read-only registers ADC_H and ADC_L using either Demand Mode or Burst Mode. In Demand Mode (MODE = 1), the master triggers individual A/D conversions “on-demand”. In Burst Mode (MODE = 0), the Si890x performs ADC conversions continuously.

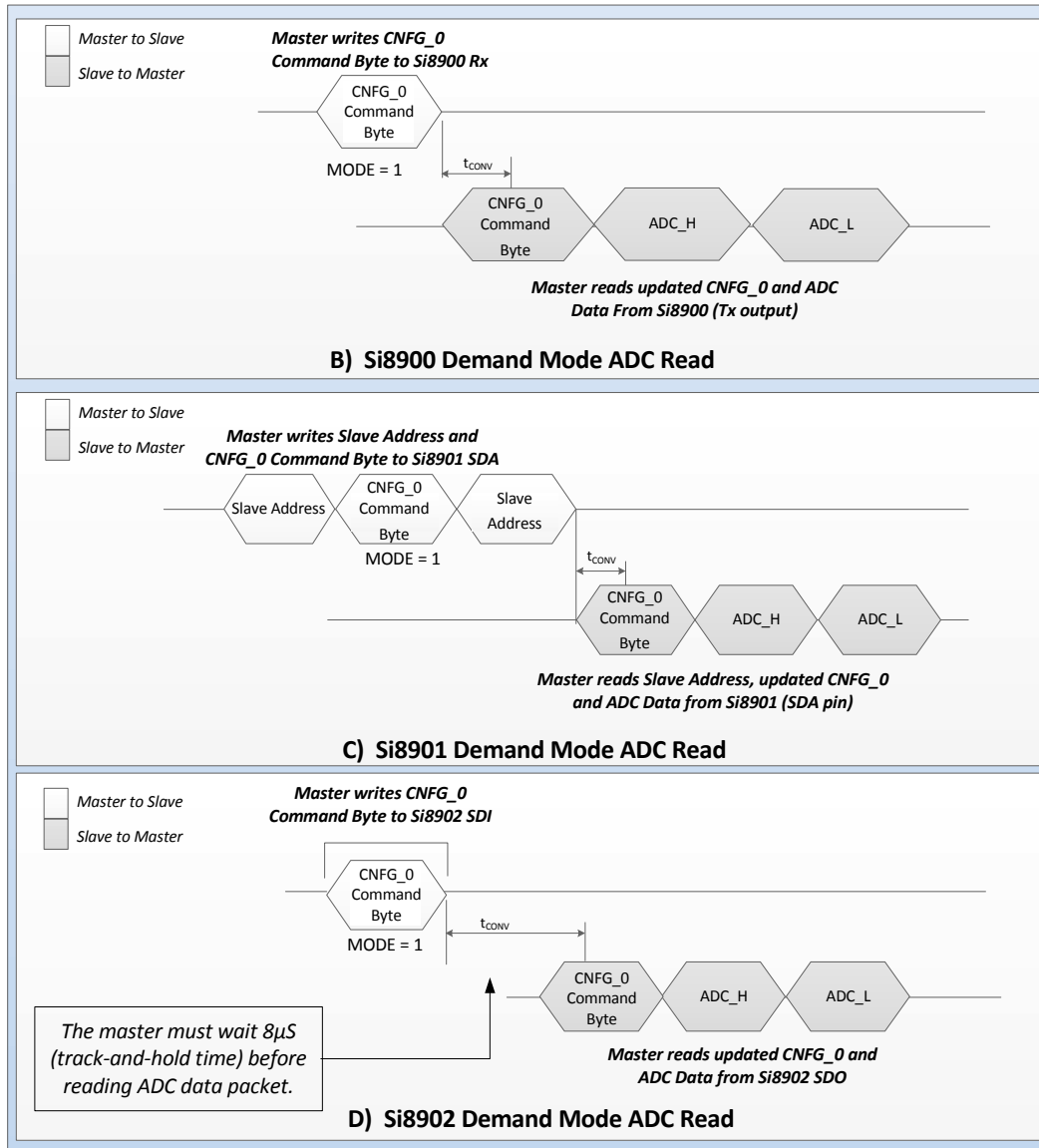


Figure 5. ADC Demand Mode Operation

Referring to Figure 5A, a Demand Mode ADC read is initiated when the master writes a Command Byte to the Si8900. (The Command Byte is a copy of the CNFG_0 register that has been properly configured by the master.) Upon receipt of the Command Byte, the Si8900 updates its CNFG_0 register and triggers the start of an ADC conversion, at which time the master may immediately begin reading ADC conversion data from the Si8900 UART. The ADC conversion data packet contains a copy of the Command Byte for verification and two-bytes of ADC conversion data. The Si8901 (Figure 5B) ADC read transaction is identical to that of the Si8900 with the exception of the added I²C/SMBus Slave Address byte (Si8901 Slave Address is 0xF0). The Si8902 Demand Mode ADC read transaction (Figure 5C) is the same as that of the Si8900, except the master must wait 8 μ s after the transmission of the Command Byte before reading the Si8902 SPI port because byte transmission time is two times shorter versus the Si8900/01.

Si8900/1/2

The Burst Mode ADC transactions for the Si8900 (Figure 6A) and Si8901 (Figure 6B) are substantially the same. A Burst Mode ADC read is initiated when the master writes a CNFG_0 (MODE = 0) Command Byte to the Si8900/1, which updates the CNFG_0 register and triggers the ADC continuously. Like the Demand Mode example, the Si8901 has a Slave Address byte prior to the CNFG_0 Command Byte. When using the Si8901, the master must write the I²C port address prior to reading the serial port. The Si8902 Burst Mode (Figure 6C) is similar to that of the Si8900/1, except the master must wait 8 μs before reading the first Burst Mode ADC data packet. After reading the first Burst Mode ADC data packet, the master may read all ADC data packets that follow without delay.

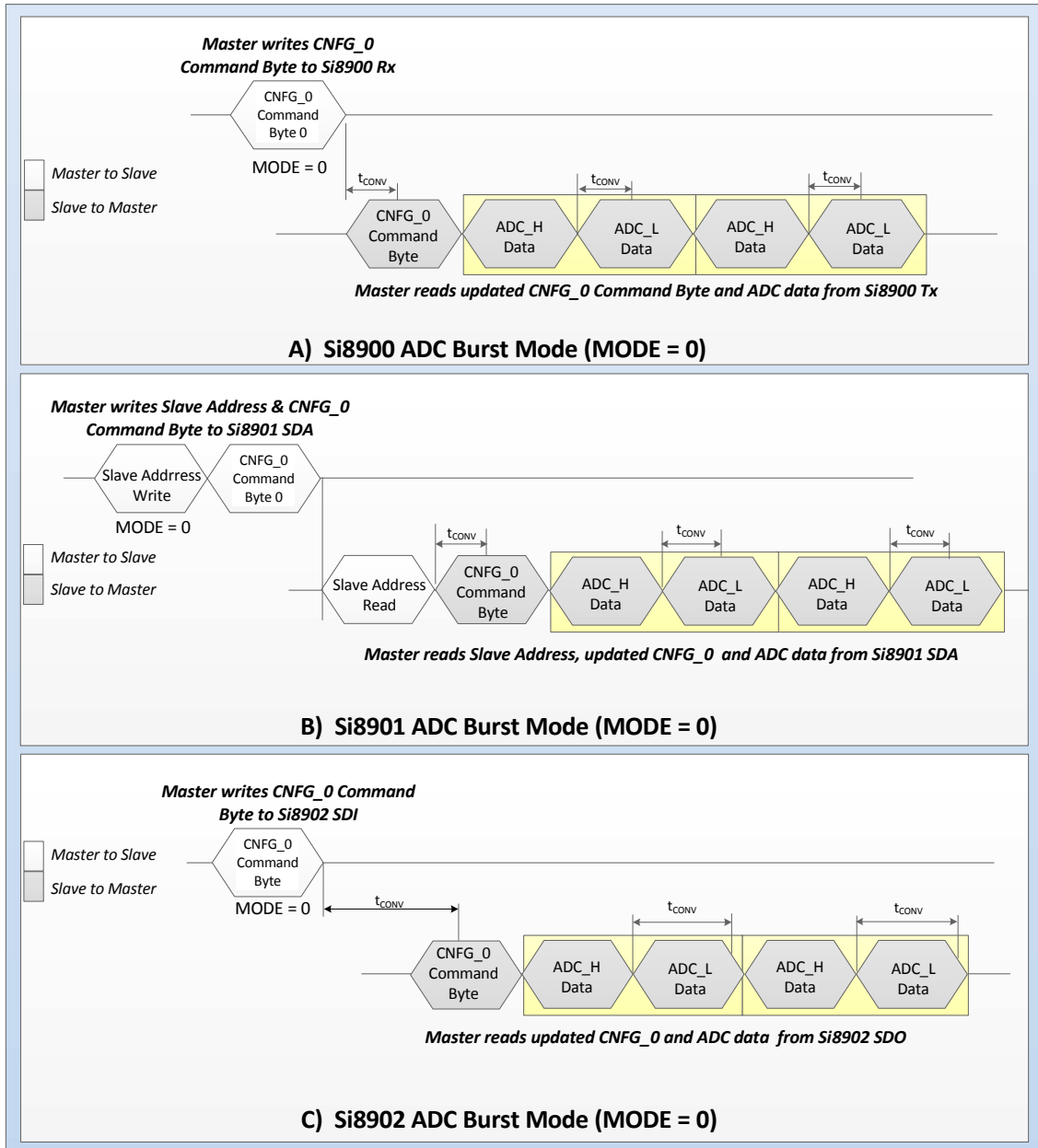


Figure 6. ADC Burst Mode Operation

4.1. UART (Si8900)

The UART is a two-wire interface (Tx, Rx) and operates as an asynchronous, full-duplex serial port with internal auto baud rate generator that measures the period of incoming data stream and automatically adjusts the internal baud rate generator to match. The auto baud rate detection and matching optimizes UART timing for minimum bit error rate. For more information, see “AN635: AC Line Monitoring Using the Si890x Family of Isolated ADCs”.

There are a total of 10 bits per data read/write: One start bit, eight data bits (LSB first), and one stop bit with data transmitted LSB first as shown in Figure 7. Figure 8A and Figure 8B show master/Si8900 ADC read transactions for Demand Mode and Burst Mode, respectively.

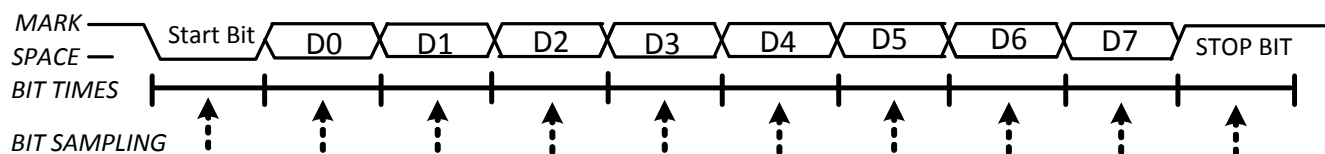


Figure 7. UART Data Byte

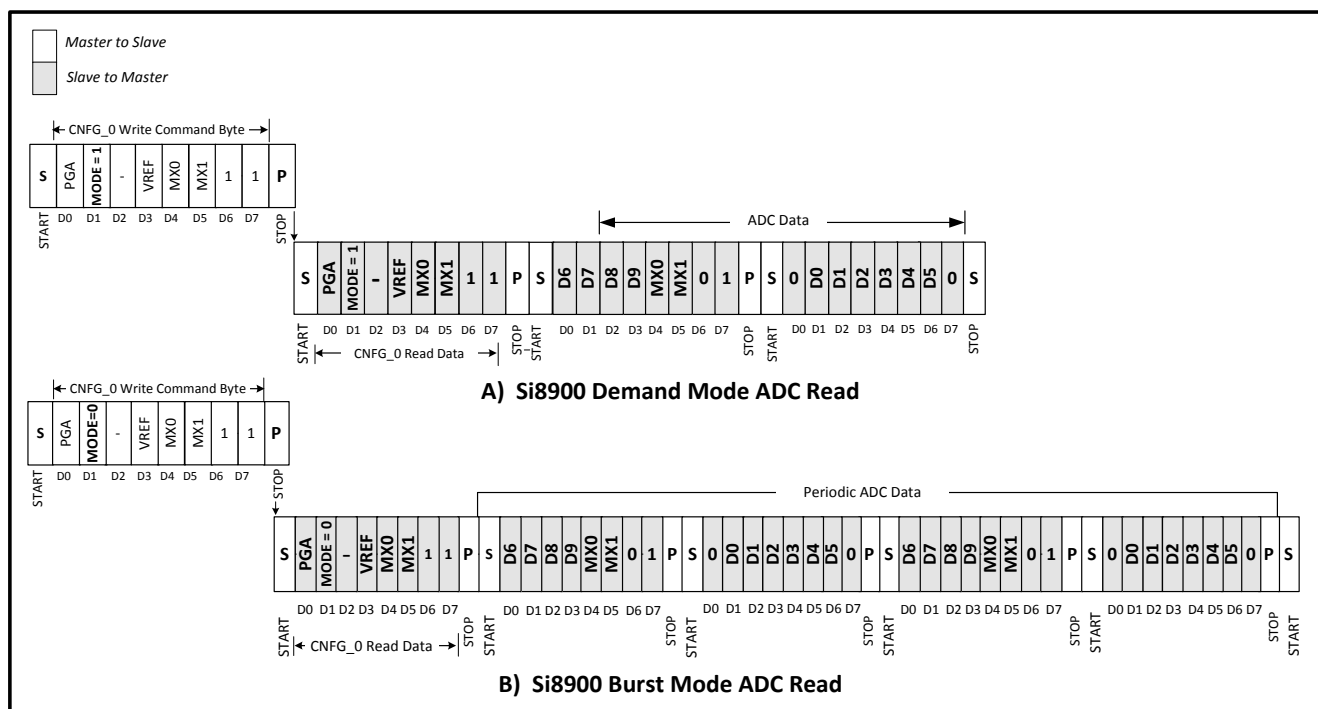


Figure 8. Si8900 ADC Read Operation

4.2. I²C/SMBus (Si8901)

The I²C/SMBus serial port is a two-wire serial bus where data line SDA is bidirectional and clock line SCL is unidirectional. Reads and writes to this interface by the master are byte-oriented, with the I²C/SMBus master controlling the serial data rates up to 240 kbps. The SDA and SCL lines must be pulled high through pull-up resistors of 5 kΩ or less. An Si8901 ADC read transaction begins with a START condition (“S” or Repeated START condition “SR”), which is defined as a high-to-low transition on SDA while SCL is high (Figure 9). The master terminates a transmission with a STOP condition (P), defined as a low-to-high transition on SDA while SCL is high. The data on SDA must remain stable during the high period of the SCL clock pulse because such changes in either line will be interpreted as a control command (e.g., S, P SR). SDA and SCL idle in the high state when the bus is not busy. Acknowledge bits (Figure 10) provide detection of successful data transfers, whereas unsuccessful transfers conclude with a not-acknowledge bit (NACK). Both the master and the Si8901 generate ACK and NACK bits. An ACK bit is generated when the receiving device pulls SDA low before the rising edge of the acknowledged related (ninth) SCL pulse and maintains it low during the high period of the clock pulse. A NACK bit is generated when the receiver allows SDA to be pulled high before the rising edge of the acknowledged related SCL pulse and maintains it high during the high period of the clock pulse. An unsuccessful data transfer occurs if a receiving device is busy or if a system fault has occurred. In the event of an unsuccessful data transfer, the bus master attempts communication at a later time. Figure 11A shows the I²C Slave Address Byte and CNFG_0 byte for the Si8901. Figure 11B and Figure 11C show master/Si8901 ADC read transactions for Demand Mode and Burst Mode, respectively.

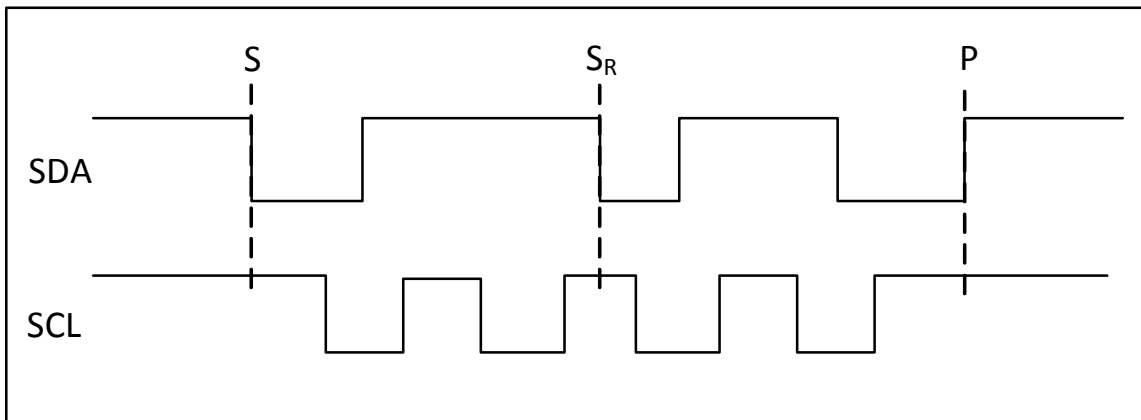


Figure 9. Start and Stop Conditions

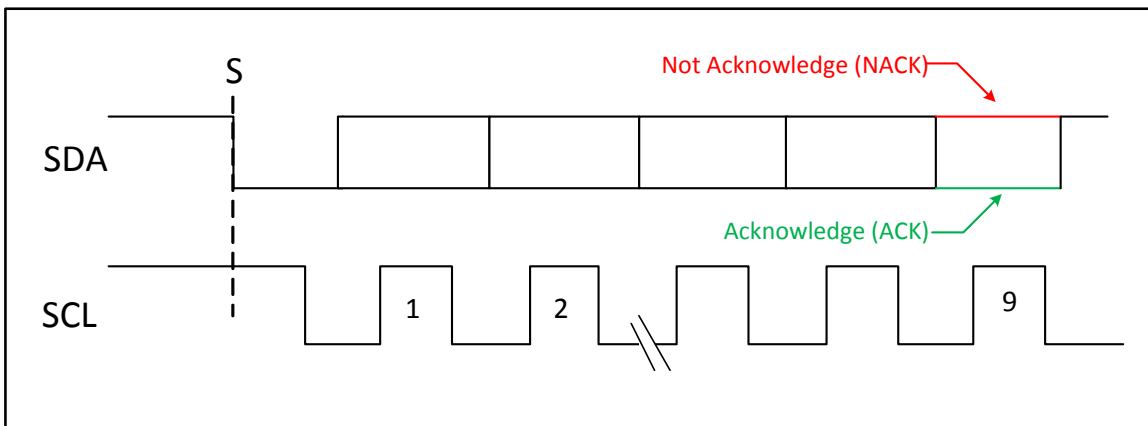


Figure 10. Acknowledge Cycle

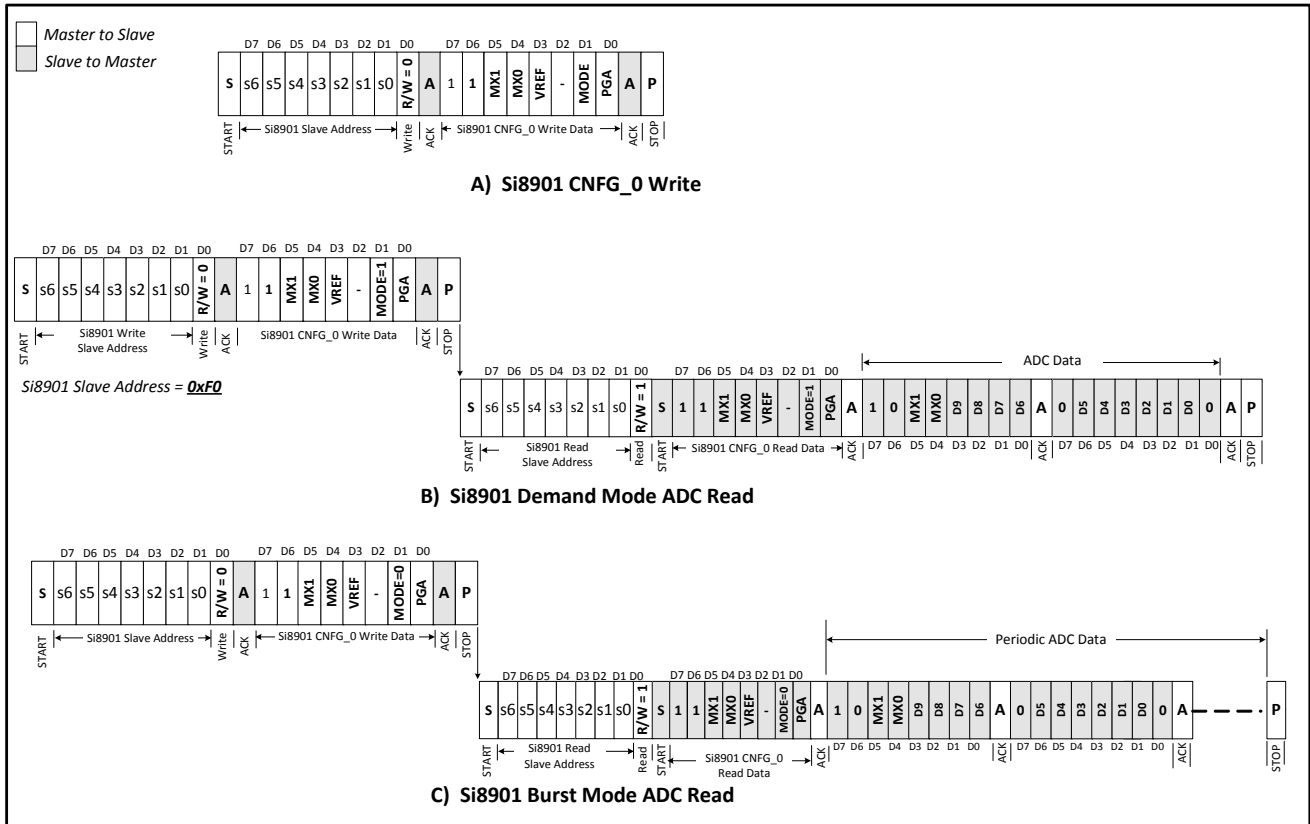


Figure 11. Si8901 ADC Read Operation

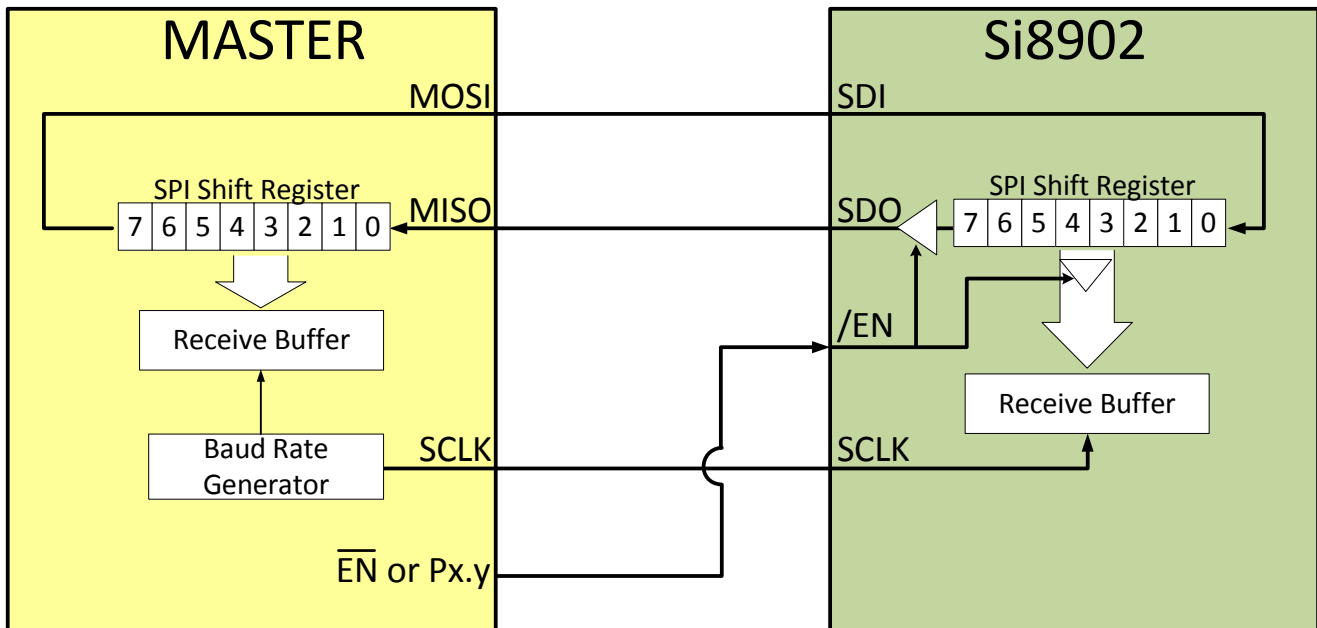


Figure 12. Master Connection to Si8902

4.3. SPI Port (Si8902)

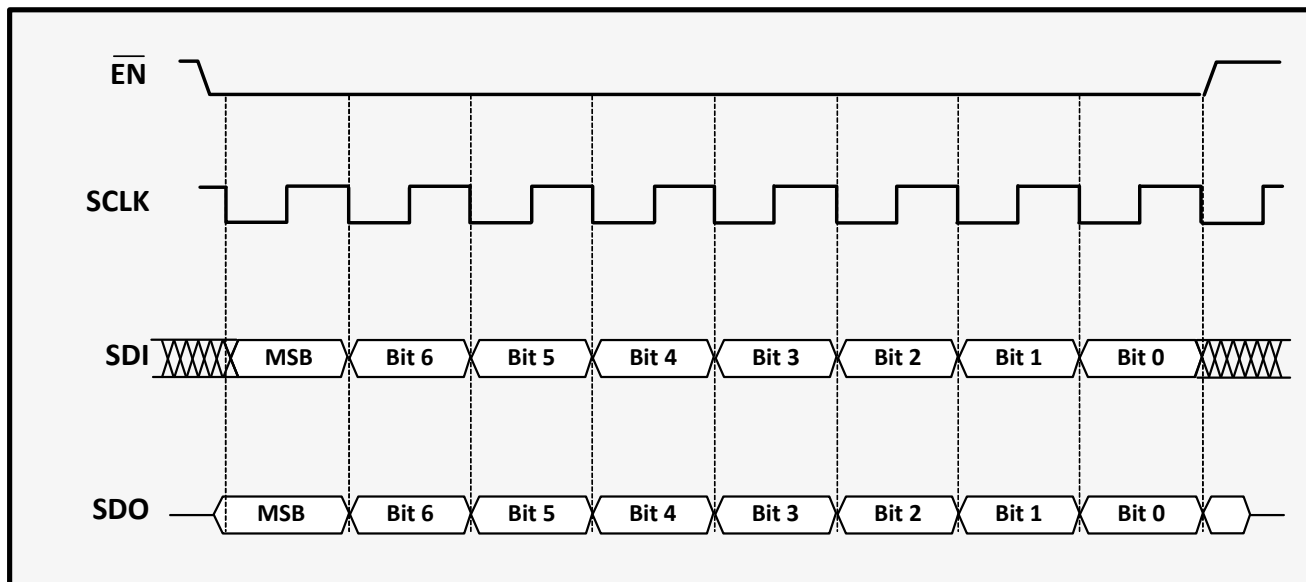


Figure 13. Si8902 Data/Clock Timing

The Serial Peripheral Interface (SPI port) is a slave mode, full-duplex, synchronous, 4-wire serial bus that connects to the master as shown in Figure 12. The master's clock and data timing must match the Si8902 timing shown Figure 12 (for more information about clock and data timing, please see the "SPI Port" section of Table 2 on page 6).

As shown in Figure 13, an SPI bus transaction begins with the master driving \overline{EN} low and maintaining this state for the duration of the read transaction(s). The master transmits data from its master-out/slave-in terminal (MOSI) to the Si8902 serial read/write input terminal (SDI). The Si8902 transmits data to the master from its serial data-out terminal (SDO) to the master-in/slave-out terminal (MISO), and data transfer ends when the master returns \overline{EN} to the high state. Figure 14A shows the Si8902 CNFG_0 Command Byte format, while Figures 14B and 14C show Si8902 Demand Mode and Burst Mode ADC reads.

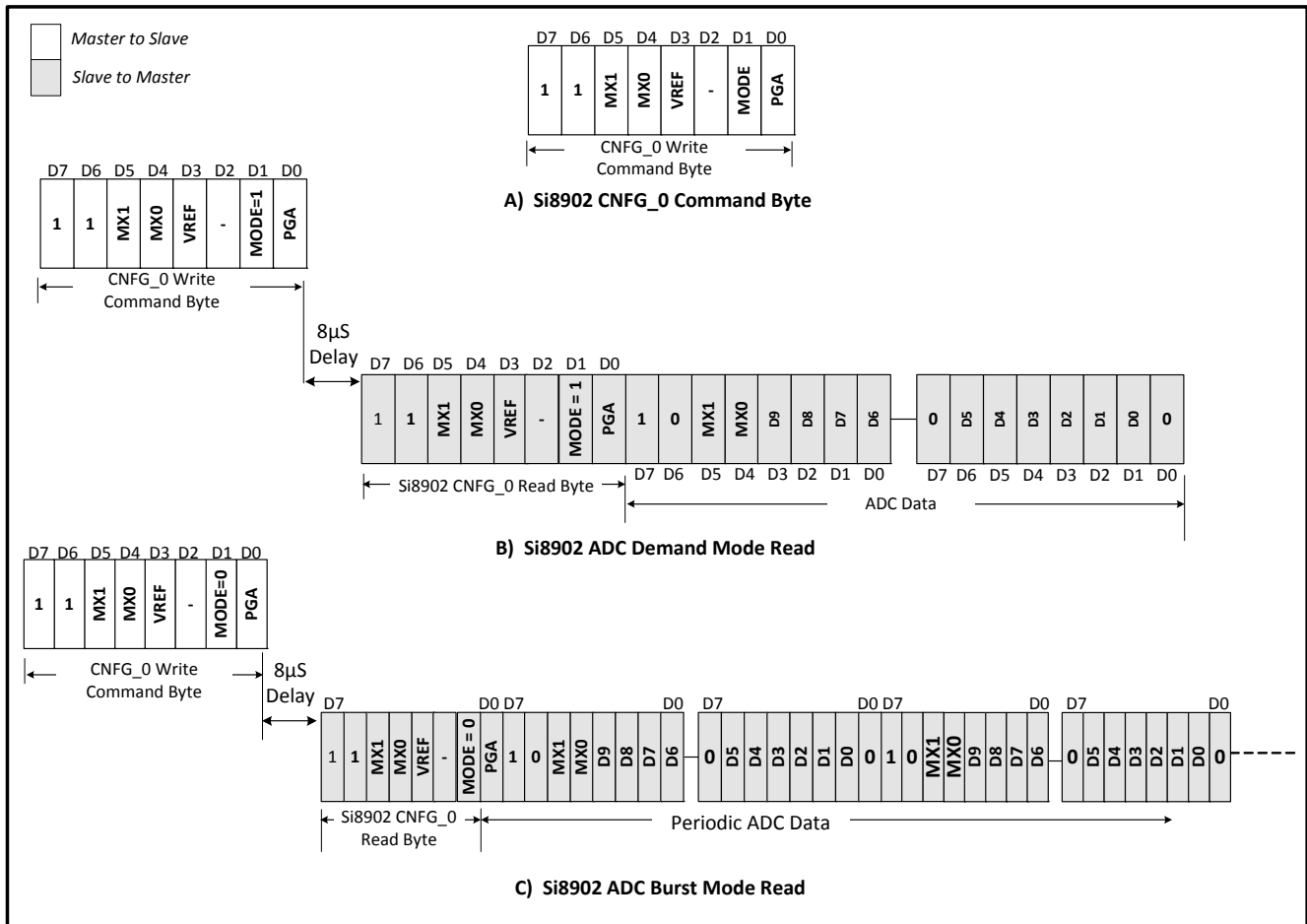


Figure 14. Si8902 ADC Read Operation

4.4. Master Controller Firmware

The user's master controller must include firmware to manage the Si890x Demand and Burst operating modes and serial port control. In some cases, the master controller may also require a firmware moving average function to reduce noise. For more information on master controller firmware, see "AN637: Si890x Master Controller Recommendations", available for download at www.silabs.com/isolation.

5. Si8900/1/2 Configuration Registers

CNFG_0 Command Byte

Bit	D7	D6	D5	D4	D3	D2	D1	D0
Name	1	1	MX1	MX0	VREF	—	MODE	PGA
Type	R/W	R/W	R/W	R/W	R/W	R/W	R/W	R/W
Default	1	1	1	1	1	1	1	1

Bit	Name	Function															
7:6	1,1	Internal use. These bits are always set to 1.															
5:4	MX1, MX0	<p>ADC MUX Address. ADC MUX address selection is controlled by MX1, MX0 as follows:</p> <table border="1"> <thead> <tr> <th>MX1</th> <th>MX0</th> <th>Selected ADC MUX Channel</th> </tr> </thead> <tbody> <tr> <td>1</td> <td>1</td> <td>Not Used</td> </tr> <tr> <td>1</td> <td>0</td> <td>AIN2</td> </tr> <tr> <td>0</td> <td>1</td> <td>AIN1</td> </tr> <tr> <td>0</td> <td>0</td> <td>AIN0</td> </tr> </tbody> </table>	MX1	MX0	Selected ADC MUX Channel	1	1	Not Used	1	0	AIN2	0	1	AIN1	0	0	AIN0
MX1	MX0	Selected ADC MUX Channel															
1	1	Not Used															
1	0	AIN2															
0	1	AIN1															
0	0	AIN0															
3	VREF	<p>ADC Voltage Reference Source VDD is selected as the reference voltage when this bit is set to 1. An externally connected voltage reference generator is selected when this bit is reset to 0.</p>															
2	—	Not used.															
1	MODE	<p>ADC Read Mode ADC Demand Mode read is enabled when this bit is 1, and Burst Mode is enabled when this bit is 0. For more information on Demand and Burst mode operation, please see "ADC Data Transmission Modes" on page 11.</p>															
0	PGA	<p>PGA Gain Set PGA gain is 1 when this bit is set to 1. PGA gain is 0.5 when this bit is reset to 0.</p>															

ADC_H Byte

Bit	D7	D6	D5	D4	D3	D2	D1	D0
Name	1	0	MX1	MX0	D9	D8	D7	D6
Type	R	R	R	R	R	R	R	R
Default	—	—	—	—	—	—	—	—

Bit	Name	Function
7:6	1,0	Internal use. These bits are always set to 1,0.
5:4	MX1, MX0	ADC MUX Address ADC input MUX address for the converted data in ADC_H, ADC_L.
3:0	D9: D6	ADC conversion data bits D9:D6 Most significant 4 bits of ADC conversion data.

ADC_L Byte

Bit	D7	D6	D5	D4	D3	D2	D1	D0
Name	0	D5	D4	D3	D2	D1	D0	0
Type	R	R	R	R	R	R	R	R
Default	—	—	—	—	—	—	—	—

Bit	Name	Function
7	0	Internal use. This bit is always set to 0.
6:1	D5:D0	ADC Conversion Data Bits D5:D0 Least significant 6 bits of ADC conversion data.
0	0	Internal use. This bit is always set to 0.

6. Applications

6.1. Isolated Outputs

The Si890x serial outputs are internally isolated from the device input side. To ensure safety in the end-user application, high voltage circuits (i.e., circuits with >30 VAC) must be physically separated from the safety extra-low voltage circuits (i.e., circuits with <30 VAC) by a certain distance (creepage/clearance). If a component straddles this isolation barrier, it must meet those creepage/clearance requirements and also provide a sufficiently large high-voltage breakdown protection rating (commonly referred to as working voltage protection). Tables published in the component standards (UL1577, IEC60747, CSA 5A) are readily accepted by certification bodies to provide proof for end-system specifications requirements. Refer to the end-system specification (61010-1, 60950-1, 60601-1, etc.) requirements before starting any circuit design that uses galvanic isolation. To enhance the robustness of a design, it is further recommended that the user also include 100 Ω resistors in series with the Si890x inputs and outputs if the system is excessively noisy. The nominal impedance of an isolated Si890x output channel is approximately 50 Ω and is a combination of the value of the on-chip series termination resistor and channel resistance of the output driver FET. When driving loads where transmission line effects are a factor, output pins should be appropriately terminated with controlled-impedance PCB traces.

The Si890x supply inputs must be bypassed with a parallel combination of 10 μF and 0.1 μF capacitors at VDDA and VDDB as shown in Figure 15A. The capacitors should be placed as close to the package as possible. The Si890x uses the VDDA supply as its internal ADC voltage reference by default. A precision external reference can be installed as shown in Figure 15A and must be bypassed with a parallel combination of 0.1 μF and 4.7 μF capacitors. (Note that the CNFG_0 VREF bit must be set to 0 when using the external reference.) The Si890x has an on-chip power on reset circuit (POR) that maintains the device in its reset state until VDDA has stabilized. A 2 kΩ pull-up resistor on RST is strongly recommended to reduce the possibility of external noise coupling into the reset input. The Si8901 will also require a 5 kΩ pull-up resistor to VDDA on the RSDA input. The Si8901 will also require a 5 kΩ pull-up resistor to VDDA on the RSDA input.

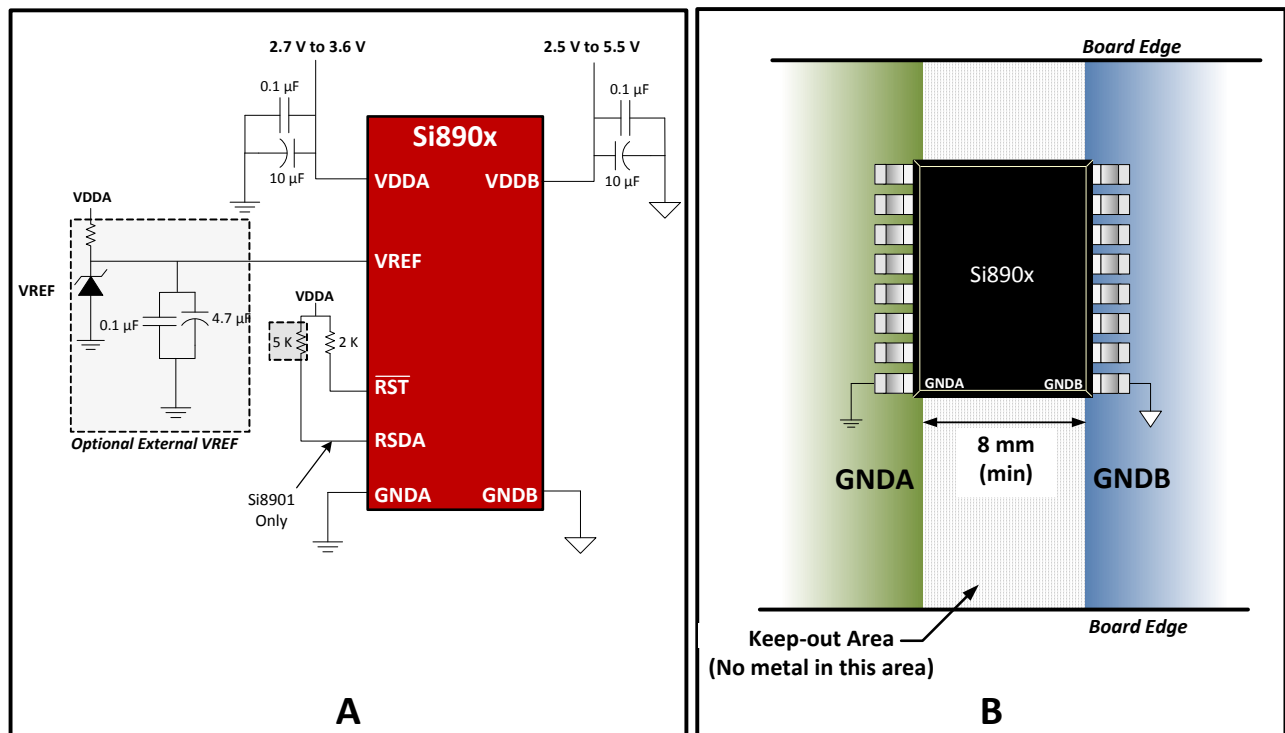


Figure 15. Si890x Installation

Figure 15B shows the required PCB ground configuration, where an 8 mm (min) “keep-out area” is provided to ensure adequate creepage and clearance distances between the two grounds. PCB metal traces *cannot* be present or cross through the keep-out area on the PCB top, bottom, or internal layer.

6.2. Device Reset

During power-up, the Si890x is held in the reset state by the internal power-on reset signal (POR) until VDDA settles above VRST. When this condition is met, a delay is initiated that maintains the Si890x in the reset state for time period tPOR, after which the reset signal is driven high allowing the Si890x to start-up. Note the maximum allowable VDD ramp time (i.e. time from 0 V to VDDA settled above VRST) is 1 ms. Slower ramp times may cause the Si890x to be released from reset before VDDA reaches the VRST level.

Figure 16 shows typical VDDA monitor reset timing where the internal reset is driven low (Si890x in reset) when VDDA falls below VRST (e.g., during a power down or VDDA brownout). The internal reset is released to its high state when VDDA again settles above VRST. External circuitry can also be used to force a reset event by driving the external $\overline{\text{RST}}$ input low. A 2 k Ω pull-up resistor on $\overline{\text{RST}}$ is recommended to avoid erroneous reset events from external noise coupling to the $\overline{\text{RST}}$ input.

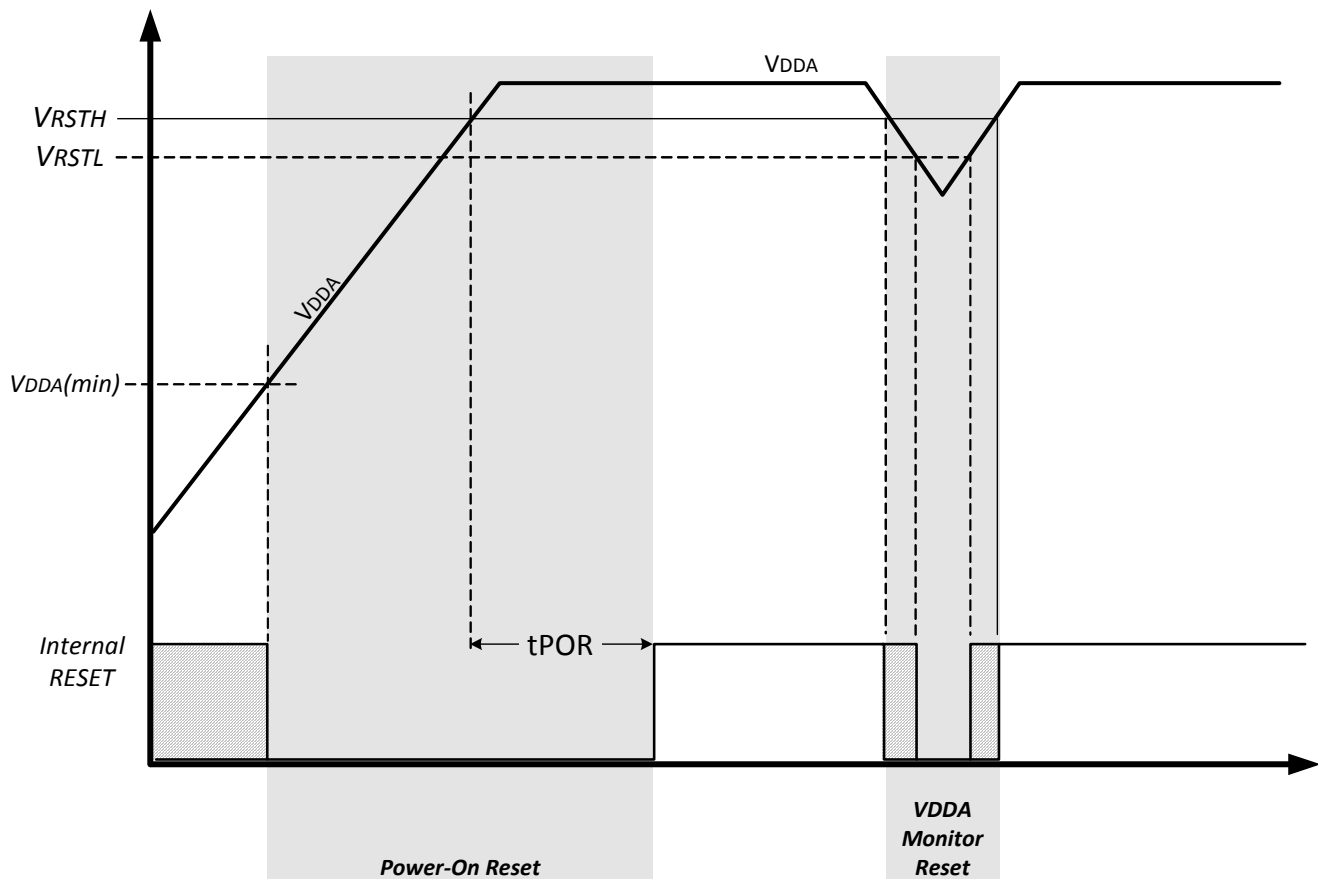


Figure 16. Si890x Power-on and Monitor Reset

6.3. Application Example

Figure 17 shows the Si8900 operating as a single-phase ac line voltage and current monitor. The VDDA dc bias circuit uses a low-cost 3.3 V linear regulator referenced to the neutral (white wire). The ac current is measured on ADC input AIN0. The ac line voltage is scaled by resistors R17 and R18 and level-shifted by the 1.5 V VREF. AC line current is measured using differential amplifier U1 connected across shunt resistor R1. Data is transferred to the external controller or processor via the isolated UART.

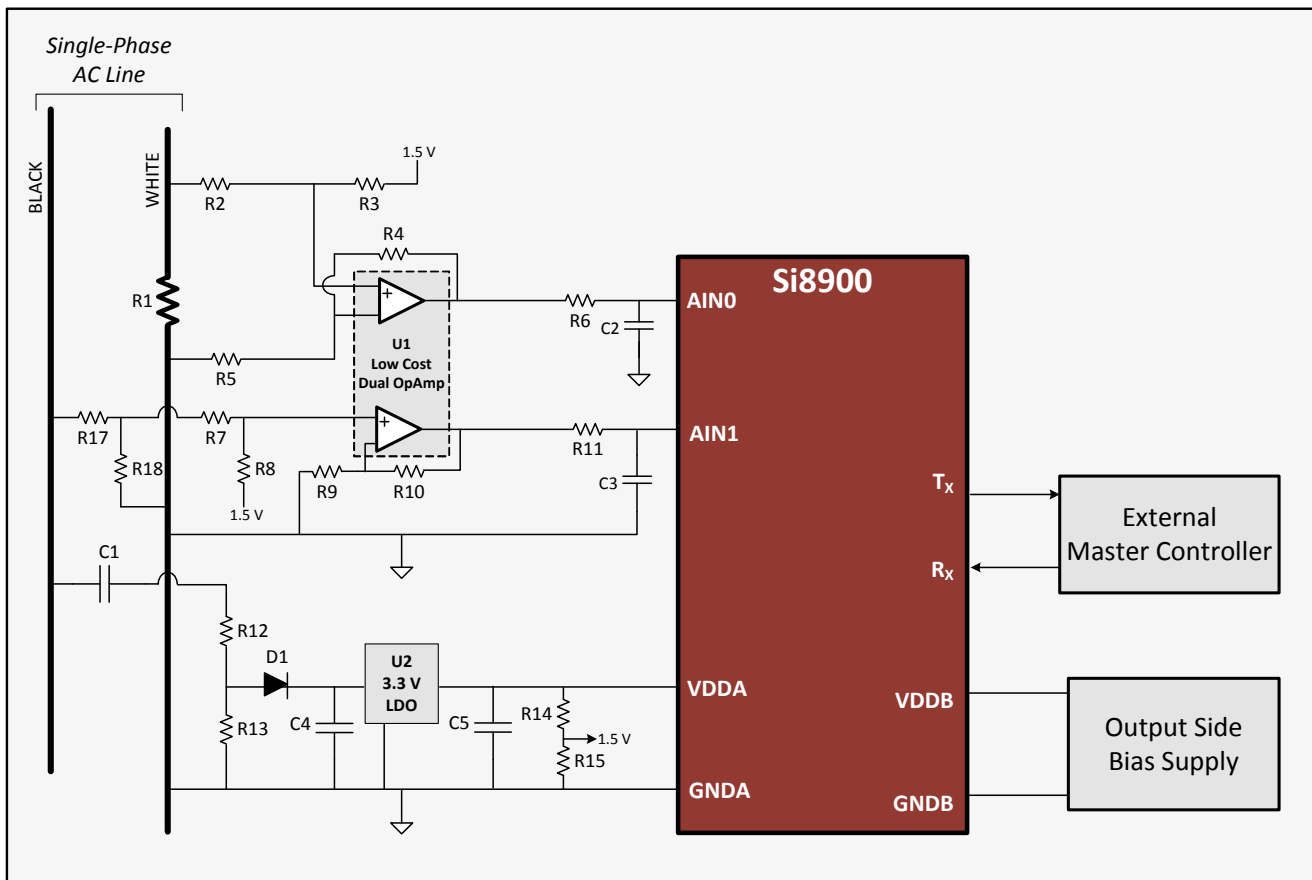


Figure 17. AC Line Monitor Application Example

7. Device Pin Assignments

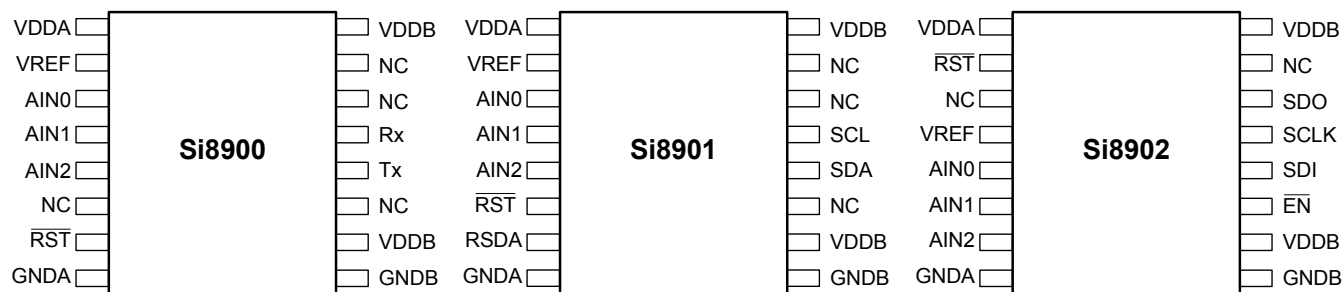


Figure 18. Si8900/1/2 Pinout (16SOW)

Table 6. Si8900/1/2 Pin Assignments

Pin	Si8900 Pin	Si8901 Pin	Si8902 Pin	Description
1	VDDA			Input side VDD bias voltage (typically 3.3 V)
2	VREF		$\overline{\text{RST}}$	Si8900/1: External voltage reference input. Si8902: Active low reset.
3	AIN0	AIN0	NC	Si8900: ADC analog input channel 0. Si8901: ADC analog input channel 0. Si8902: No connection
4	AIN1	AIN1	VREF	Si8900: ADC analog input channel 1. Si8901: ADC analog input channel 1. Si8902: External VREF in.
5	AIN2	AIN2	AIN0	Si8900: ADC analog input channel 2. Si8901: ADC analog input channel 2. Si8902: ADC analog input channel 0.
6	NC	$\overline{\text{RST}}$	AIN1	Si8900: No Connection. Si8901: Active low reset. Si8902: ADC analog input channel 1.
7	$\overline{\text{RST}}$	RSDA	AIN2	Si8900: Active low reset. Si8901: RSDA bias resistor (typically 5 k Ω). Si8902: ADC analog input channel 2.
8	GNDA			Input side ground
9	GNDB			Output side ground
10	VDDDB			Output side VDD bias voltage (2.7 V to 5.5 V)
11	NC		$\overline{\text{EN}}$	Si8900/1: No connection. Si8902: SPI Port Enable.
12	Tx	SDA	SDI	Si8900: UART unidirectional transmit output. Si8901: I ² C Bidirectional data input/output. Si8902: SPI port Serial data in.

Table 6. Si8900/1/2 Pin Assignments (Continued)

Pin	Si8900 Pin	Si8901 Pin	Si8902 Pin	Description
13	Rx	SCL	SCLK	Si8900: UART unidirectional receive input. Si8901: I ² C port unidirectional serial clock input. Si8902: SPI port unidirectional serial clock input.
14	NC		SDO	Si8900/1: No connection. Si8902: SPI port Serial data out (SDO)
15	NC			No connection
16	VDDB			Si8900/1/2: Output side VDD bias voltage (2.7 V to 5.5 V).

8. Ordering Guide

Table 7. Product Ordering Information^{1,2,3}

Part Number (OPN)	Serial Port	Package	Isolation Rating	Temp Range
Si8900B-A01-GS	UART	WB SOIC	2.5 kV	-40 to +85 °C
Si8900D-A01-GS	UART	WB SOIC	5.0 kV	-40 to +85 °C
Si8901B-A01-GS	I ² C/SMBus	WB SOIC	2.5 kV	-40 to +85 °C
Si8901D-A01-GS	I ² C/SMBus	WB SOIC	5.0 kV	-40 to +85 °C
Si8902B-A01-GS	SPI Port	WB SOIC	2.5 kV	-40 to +85 °C
Si8902D-A01-GS	SPI Port	WB SOIC	5.0 kV	-40 to +85 °C

Notes:

1. Add an "R" suffix to the part number to specify the tape and reel option. Example: "Si8900AB-A-ISR".
2. All packages are RoHS-compliant.
3. Moisture sensitivity level is MSL3 for wide-body SOIC-16 package with peak reflow temperatures of 260 °C according to the JEDEC industry standard classifications and peak solder temperatures.

9. Package Outline: 16-Pin Wide Body SOIC

Figure 19 illustrates the package details for the Si8900/1/2 Digital Isolator. Table 8 lists the values for the dimensions shown in the illustration.

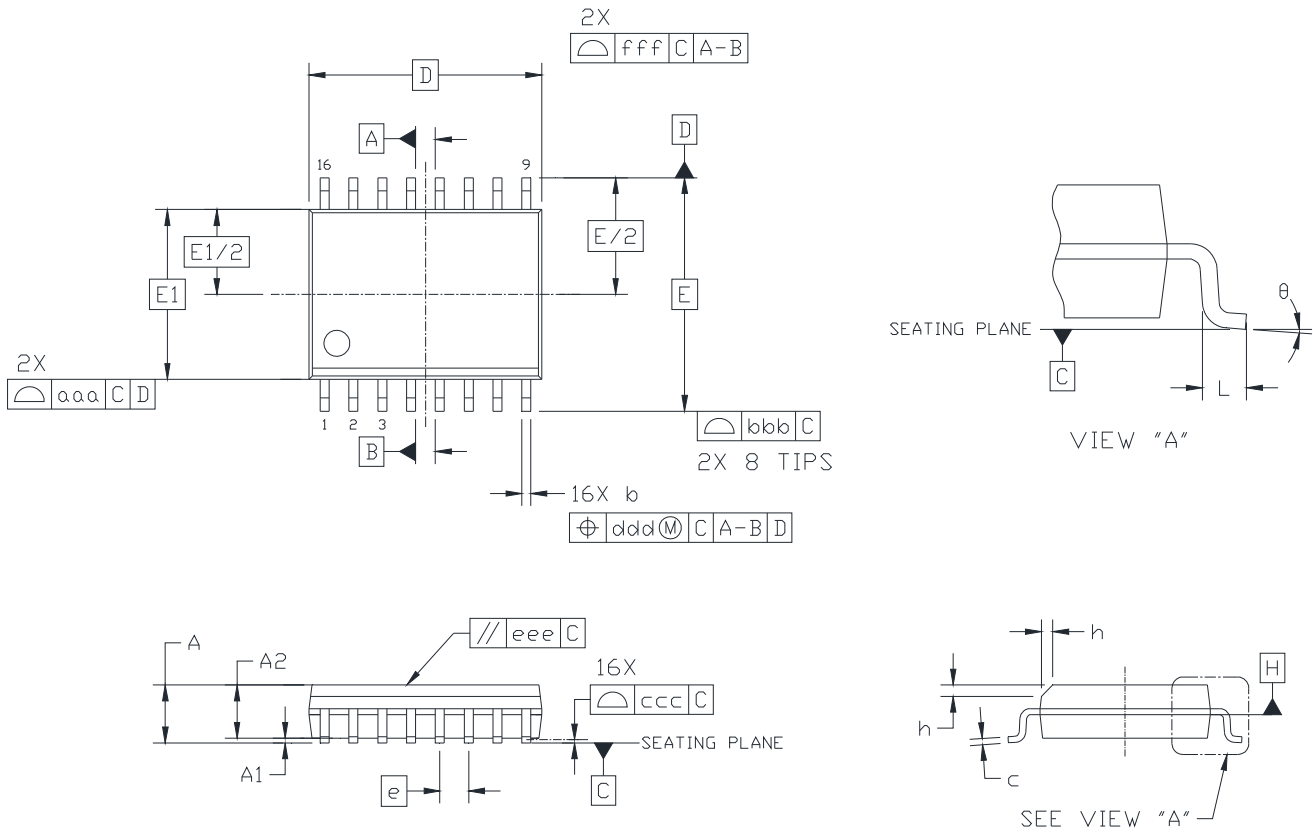


Figure 19. 16-Pin Wide Body SOIC

Table 8. Package Diagram Dimensions

Symbol	Millimeters	
	Min	Max
A	—	2.65
A1	0.10	0.30
A2	2.05	—
b	0.31	0.51
c	0.20	0.33
D	10.30 BSC	
E	10.30 BSC	
E1	7.50 BSC	
e	1.27 BSC	
L	0.40	1.27
h	0.25	0.75
θ	0°	8°
aaa	—	0.10
bbb	—	0.33
ccc	—	0.10
ddd	—	0.25
eee	—	0.10
fff	—	0.20
Notes:		
<ol style="list-style-type: none"> 1. All dimensions shown are in millimeters (mm) unless otherwise noted. 2. Dimensioning and Tolerancing per ANSI Y14.5M-1994. 3. This drawing conforms to JEDEC Outline MS-013, Variation AA. 4. Recommended reflow profile per JEDEC J-STD-020C specification for small body, lead-free components. 		

10. Land Pattern: 16-Pin Wide-Body SOIC

Figure 20 illustrates the recommended land pattern details for the Si8900/1/2 in a 16-pin wide-body SOIC. Table 9 lists the values for the dimensions shown in the illustration.

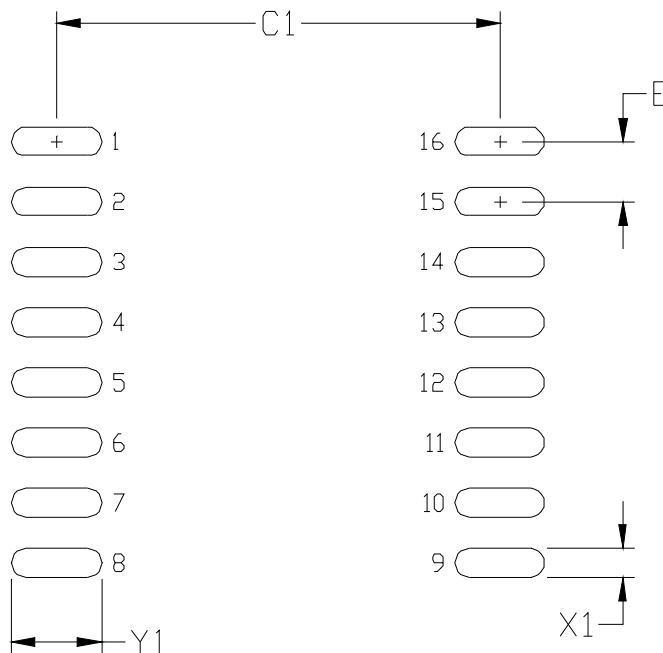


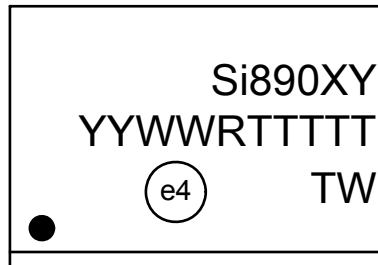
Figure 20. 16-Pin SOIC Land Pattern

Table 9. 16-Pin Wide Body SOIC Land Pattern Dimensions

Dimension	Feature	(mm)
C1	Pad Column Spacing	9.40
E	Pad Row Pitch	1.27
X1	Pad Width	0.60
Y1	Pad Length	1.90
Notes:		
<ol style="list-style-type: none"> 1. This Land Pattern Design is based on IPC-7351 pattern SOIC127P1032X265-16AN for Density Level B (Median Land Protrusion). 2. All feature sizes shown are at Maximum Material Condition (MMC) and a card fabrication tolerance of 0.05 mm is assumed. 		

11. Top Marking: 16-Pin Wide Body SOIC

11.1. Si8900/1/2 Top Marking



11.2. Top Marking Explanation

Line 1 Marking:	Base Part Number Ordering Options (See Ordering Guide for more information).	Si890 = Isolator product series X = Serial Port 0 = UART 1 = I ² C 2 = SPI Y = Insulation rating B = 2.5 kV; D = 5.0 kV
	YY = Year WW = Workweek	Assigned by assembly subcontractor. Corresponds to the year and workweek of the mold date.
Line 2 Marking:	RTTTTT = Mfg Code	Manufacturing code from assembly house "R" indicates revision
	Circle = 1.7 mm Diameter (Center-Justified)	"e4" Pb-Free Symbol
Line 3 Marking:	Country of Origin ISO Code Abbreviation	TW = Taiwan

DOCUMENT CHANGE LIST

Revision 0.5 to Revision 1.0

- No changes.

Revision 1.0 to Revision 1.1

- Removed "pending" throughout.
- Changed AN638 reference to AN637.
- Updated "Top Marking: 16-Pin Wide Body SOIC" on page 29.

NOTES:



Smart.
Connected.
Energy-Friendly



Products
www.silabs.com/products



Quality
www.silabs.com/quality



Support and Community
community.silabs.com

Disclaimer

Silicon Laboratories intends to provide customers with the latest, accurate, and in-depth documentation of all peripherals and modules available for system and software implementers using or intending to use the Silicon Laboratories products. Characterization data, available modules and peripherals, memory sizes and memory addresses refer to each specific device, and "Typical" parameters provided can and do vary in different applications. Application examples described herein are for illustrative purposes only. Silicon Laboratories reserves the right to make changes without further notice and limitation to product information, specifications, and descriptions herein, and does not give warranties as to the accuracy or completeness of the included information. Silicon Laboratories shall have no liability for the consequences of use of the information supplied herein. This document does not imply or express copyright licenses granted hereunder to design or fabricate any integrated circuits. The products must not be used within any Life Support System without the specific written consent of Silicon Laboratories. A "Life Support System" is any product or system intended to support or sustain life and/or health, which, if it fails, can be reasonably expected to result in significant personal injury or death. Silicon Laboratories products are generally not intended for military applications. Silicon Laboratories products shall under no circumstances be used in weapons of mass destruction including (but not limited to) nuclear, biological or chemical weapons, or missiles capable of delivering such weapons.

Trademark Information

Silicon Laboratories Inc., Silicon Laboratories, Silicon Labs, SiLabs and the Silicon Labs logo, CMEMS®, EFM, EFM32, EFR, Energy Micro, Energy Micro logo and combinations thereof, "the world's most energy friendly microcontrollers", Ember®, EZLink®, EZMac®, EZRadio®, EZRadioPRO®, DSPLL®, ISOmodem®, Precision32®, ProSLIC®, SiPHY®, USBXpress® and others are trademarks or registered trademarks of Silicon Laboratories Inc. ARM, CORTEX, Cortex-M3 and THUMB are trademarks or registered trademarks of ARM Holdings. Keil is a registered trademark of ARM Limited. All other products or brand names mentioned herein are trademarks of their respective holders.



Silicon Laboratories Inc.
400 West Cesar Chavez
Austin, TX 78701
USA

<http://www.silabs.com>

X-ON Electronics

Largest Supplier of Electrical and Electronic Components

Click to view similar products for [Analog to Digital Converters - ADC category](#):

Click to view products by [Silicon Labs manufacturer](#):

Other Similar products are found below :

[017539FB](#) [020296DB](#) [ADC0820CNEN](#) [AD7916BRMZ-RL7](#) [AD9257TCPZ-65-EP](#) [ADC0804LCD](#) [ADC0808](#) [MCP37211-200I/TE](#)
[512761G](#) [AD9695BCPZ-625](#) [AD9695BCPZ-1300](#) [MX574AKEQI](#) [MAX15511TGTL+](#) [MAX11156ETC+T](#) [MAX1111EEE/V+](#) [AD7175-](#)
[8BCPZ-RL7](#) [AD9530BCPZ](#) [MAX1436BECQ+D](#) [MAX16924GGM/VY+](#) [MAX11108AVB+T](#) [MAX11647EUA+T](#) [MCP33141-10T-E/MS](#)
[MCP33141D-05T-E/MS](#) [MCP33151D-05T-E/MS](#) [MCP3202T-CI/MS](#) [MAX11137ATI+T](#) [MAX11136ATI+T](#) [MAX11612EUA+T](#)
[MAX11212AEUB+T](#) [MAX11101EUB+T](#) [AD4001BCPZ-RL7](#) [MAX14002AAP+T](#) [MCP33141-05T-E/MS](#) [MAX11636EEE+T](#) [MCP33141D-](#)
[10T-E/MS](#) [MCP33151-05T-E/MS](#) [MCP33151-10T-E/MS](#) [MCP33151D-10T-E/MS](#) [MAX11259AWX+T](#) [AD7091R-5BRUZ-RL7](#)
[ADE1201ACCZ](#) [ADE1202ACCZ](#) [LTC1864CS8#PBF](#) [LTC2418CGNPBF](#) [LTC2433-1IMS#PBF](#) [LTC2442CGPBF](#) [LTC2400CS8#PBF](#)
[LTC2414CGNPBF](#) [TC7109ACKW](#) [TC7109CLW](#)