



SKYWORKS®

Timing Solutions

PRODUCT SELECTOR GUIDE

Timing Solutions

Skyworks offers a broad portfolio of timing products that enable hardware designers to simplify clock generation, clock distribution, jitter attenuation and network synchronization. These products combine best-in-class jitter performance and frequency flexibility, enabling customers to easily architect optimized clock tree solutions. Custom samples are available in 1-2 weeks, easing design and reducing time-to-market.



Timing

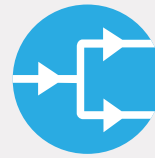
A comprehensive portfolio of oscillators, clock buffers, clock generators, PCI Express (PCIe) clocks, jitter attenuators and SyncE/IEEE 1588 clocks.

Products



Oscillators

- Any frequency up to 3.0 GHz
- Ultra-low jitter: 80 fs RMS
- Short lead times: 1-2 weeks (samples)



Clock Buffers

- Integrated format/level translation
- Ultra-low additive jitter: 50 fs RMS
- PCI Express Gen 1/2/3/4 compliant



Clock Generators

- Any-frequency, any-output
- Ultra-low jitter: 70 fs RMS
- Clock tree on a chip replaces clocks and XO's



Jitter Attenuating Clocks/ Network Synchronizers

- Any frequency, any output
- Ultra-low jitter: 70 fs RMS
- Clock tree on a chip replaces clocks, XO's, VCXO's

Applications



- Enterprise routers
- Cable/DSL
- PON



- Base stations
- Small cells/DAS
- Backhaul/Fronthaul



- Switches/servers
- Storage/security
- Search acceleration
- Machine learning



- Broadcast video
- Industrial
- Medical imaging
- Test and measurement
- Emulation & prototyping
- Aerospace and defense



- Data center interconnect
- 100G/400G/800G Optical Transport
- WDM
- Carrier Ethernet



- ADAS/Automated Driving
- Networking Gateways
- Domain Controllers
- Centralized Compute
- Lidar and vision systems
- IVI/Digital Cockpit

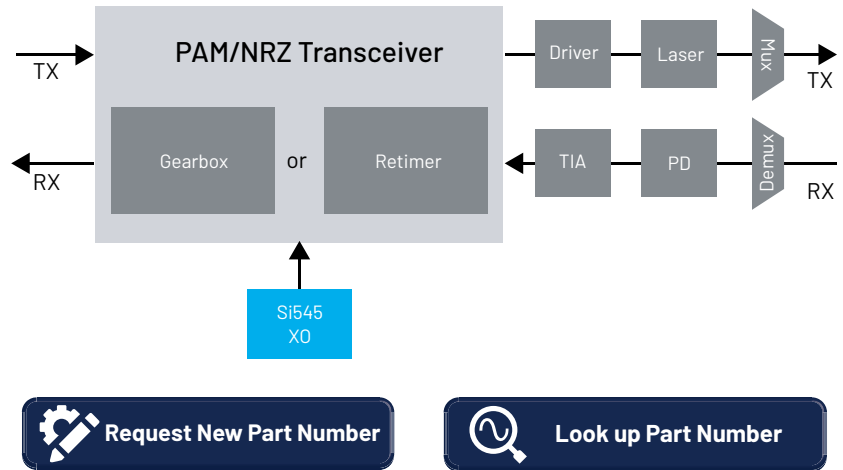
Crystal Oscillators (XO)

Skyworks offers a comprehensive portfolio of high performance, low jitter XOs and VCXOs. Skyworks' new Si54x and Si56x Ultra Series™ family of high performance XOs delivers ultra-low jitter and frequency flexibility. All devices are highly customizable, with samples of any XO available with 1-2 week lead times.

Portfolio Key Features

- Industry's lowest jitter any frequency XOs
- Jitter as low as 80 fs RMS typ
- Any frequency up to 3.0 GHz
- Single, dual, quad and I2C prog. options
- LVPECL, LVDS, HCSL, CML, LVCMOS
- Superior stability vs. SAW oscillators
- Power supply noise rejection eliminates discrete LDO
- Single device supports 1.8 – 3.3 V operation
- -40° to +85° C operation
- 5x7 mm, 3.2x5mm, 2.5x3.2mm
- Samples in 1-2 weeks

Example Application: 100G/200G/400G Optical Module



Request New Part Number

Look up Part Number

Featured Products

PERFORMANCE OPTION	PART NUMBER	NUMBER OF FREQUENCIES	FREQUENCY RANGE	TYP. JITTER (fsRMS)	TOTAL STABILITY (±PPM)	LVPECL	LVDS	HCSL	CML	LVCMOS	DUAL LVCMOS	VOLTAGE (V)	PACKAGE SIZE (MM)
ULTRA LOW JITTER	Si545	SINGLE	200 kHz to 1.5 GHz	80	25, 50	✓	✓	✓	✓	✓	✓	1.8 - 3.3	5 x 7 3.2 x 5
	Si546	DUAL											
	Si547	QUAD											
	Si548	ANY (I2C)											
	Si549	ANY (I2C)											
	Si540	SINGLE	200 kHz to 1.5 GHz	125	25, 50	✓	✓	✓	✓	✓	1.8 - 3.3	5 x 7 3.2 x 5	
	Si541	DUAL											
	Si542	QUAD											
	Si544	ANY (I2C)											
	Si560	SINGLE	200 kHz to 3.0 GHz	90	50	✓	✓	✓	✓	✓	1.8 - 3.3	5 x 7 3.2 x 5	
	Si561	DUAL											
	Si562	QUAD											
	Si564	ANY (I2C)											
	LOW JITTER	Si530/1	SINGLE	10 MHz to 1.4 GHz	300	31.5, 61.5	✓	✓	✓	✓	✓	1.8, 2.5, 3.3	5 x 7
Si532/3		DUAL											
Si534		QUAD											
Si570		ANY (I2C)											
GENERAL PURPOSE	Si590/1	SINGLE	10 MHz to 810 MHz	500	30, 50, 100	✓	✓	✓	✓	✓	1.8, 2.5, 3.3	5 x 7 3.2 x 5	
	Si598	ANY (I2C)											
	Si510/1	SINGLE	100 kHz to 250 MHz	800	30, 50, 100	✓	✓	✓	✓	✓	1.8, 2.5, 3.3	5 x 7 3.2 x 5 2.5 x 3.2	
	Si512/3	DUAL											
Si514	ANY (I2C)												

XO

XO Software Tools

XO Development Tools

Reference Designs

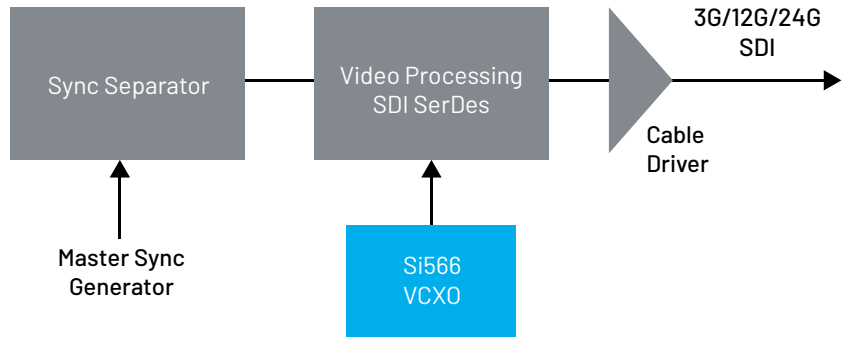
Voltage-Controlled Crystal Oscillators (VCXO)

Skyworks offers a comprehensive portfolio of high performance, low jitter XO's and VCXO's. Skyworks' new Si56x Ultra Series™ family of high performance VCXO's deliver exceptional jitter performance and 5x tighter control voltage linearity than competing solutions, maximizing design margin while simplifying development. All devices are highly customizable, with samples of any VCXO available with 1-2 week lead times.

Portfolio Key Features

- Jitter: 100 fs RMS typ (12 kHz - 20 MHz)
- Any frequency up to 3.0 GHz
- Single, dual, quad and I2C prog. options
- LVPECL, LVDS, HCSL, CML, LVCMOS
- Superior linearity vs. traditional VCSO/VCXO's
- Power supply noise rejection eliminates discrete LDO
- 1.8, 2.5 or 3.3 V
- 5x7 mm, 3.2x5 mm
- -40° to +85° C operation
- Samples in 1-2 weeks

Example Application: Video Format Converter



Featured Voltage-Controlled Crystal Oscillators (VCXO)

PERFORMANCE OPTION	PART NUMBER	NUMBER OF FREQUENCIES	FREQUENCY RANGE	TYP JITTER (fsRMS)	MIN APR (±PPM)	LVPECL	LVDS	HCSL	CML	LVCMOS	DUAL LVCMOS	VOLTAGE (V)	PACKAGE (MM)
ULTRA LOW JITTER	Si565	SINGLE	200 kHz to 3.0 GHz	100	20 - 190	✓	✓	✓	✓	✓	✓	1.8 - 3.3	5 x 7 3.2 x 5
	Si566	DUAL											
	Si567	QUAD											
	Si569	ANY (I2C)											
LOW JITTER	Si550	SINGLE	10 MHz to 1.4 GHz	500	12 - 375	✓	✓		✓	✓		1.8, 2.5, 3.3	5 x 7
	Si552	DUAL											
	Si554	QUAD											
	Si571	ANY (I2C)											
GENERAL PURPOSE	Si595	SINGLE	10 MHz to 810 MHz	700	10 - 370	✓	✓		✓	✓		1.8, 2.5, 3.3	5 x 7 3.2 x 5
	Si596	DUAL											
	Si597	QUAD											
	Si598	ANY (I2C)											
	Si515	SINGLE	100 kHz to 250 MHz	1000	30, 50, 100	✓	✓	✓		✓	✓	1.8, 2.5, 3.3	5 x 7
	Si516	DUAL											3.2 x 5 2.5 x 3.2



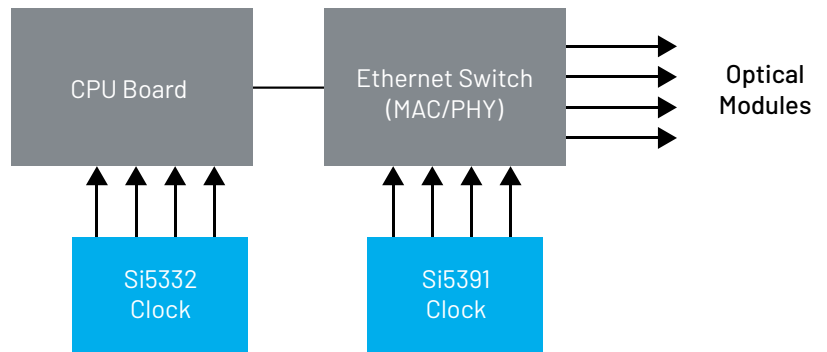
Clock Generators

Skyworks offers the industry's lowest jitter, most frequency flexible, most highly integrated clock generators. Leveraging Skyworks' proven MultiSynth technology, a single clock generator can replace an entire clock tree of multiple oscillators, buffers, clock generators, and muxes, simplifying design and accelerating time to market. Skyworks' comprehensive clock generator portfolio offers optimized solutions for communications, data center, industrial and consumer applications.

Portfolio Key Features

- Ultra-low jitter as low as 69 fs RMS
- Generate any combination of frequencies
- Lowest jitter fractional clock synthesis
- Programmable format per output
- LVPECL, LVDS, HCSL, CML, LVCMOS
- Programmable VDDO per output
- Power supply noise rejection eliminates discrete LDO
- PCIe Gen 1/2/3/4/5 compliant
- Custom samples in 2 weeks
- ClockBuilder® Pro support

Example Application: Data Center Ethernet Switch



Featured Clock Generators

PERFORMANCE OPTION	PART NUMBER	CLOCK INPUTS	CLOCK OUTPUTS	MAX OUTPUT FREQUENCY	TYP JITTER (fsRMS)	LVPECL	LVDS	HCSL	CML	LVCMOS	VOLTAGE (V)	PACKAGE (MM)
ULTRA LOW JITTER	Si5391	4	12	1028 MHz	69	✓	✓	✓	✓	✓	1.8, 3.3	QFN64
	Si5341	4	10	1028 MHz	100	✓	✓	✓	✓	✓	1.8, 3.3	QFN64
	Si5340	4	4	1028 MHz	100	✓	✓	✓	✓	✓	1.8, 3.3	QFN64
LOW JITTER	Si5332	3	6, 8, 12	312.5 MHz	230	✓	✓	✓	✓	✓	1.8, 2.5, 3.3	QFN48 QFN40 QFN32
GENERAL PURPOSE	Si5338/35/34	2	4	710 MHz	700	✓	✓	✓		✓	1.8, 2.5, 3.3	QFN24
PCI-E CLOCK GENERATORS	Si52202/04/08/12	1	2, 4, 8, 12	133 MHz	240			✓			1.5, 1.8	QFN48 QFN32 QFN24 QFN20
	Si52142/3/4/6/7	1	2, 4, 5, 6, 9	100 MHz	600			✓			3.3	QFN24 QFN24 QFN24 QFN32 QFN48
	Si52111/2	1	1, 2	100 MHz	600			✓		✓	3.3	TDFN10
CMOS CLOCK GENERATORS	Si5350/1	1	3, 4, 8	200 MHz	-					✓	1.8, 2.5, 3.3	MSOP10 QFN16 QFN20
	Si51210/1/4/8	1	1, 2, 3	170 MHz	-					✓	1.8, 2.5, 3.3	TDFN6 TDFN8

Clk Gens
ClockBuilder Pro
Clk Gen Development Tools
Reference Designs

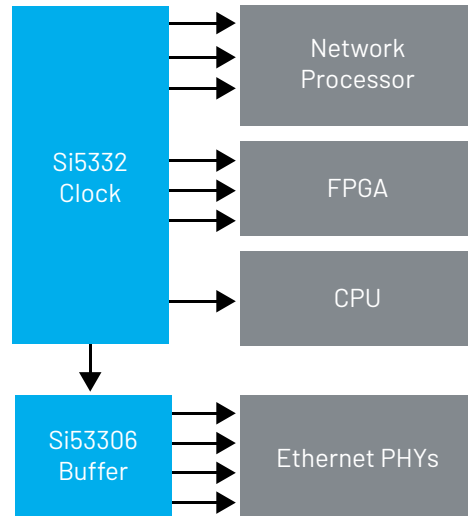
Clock Buffers

Skyworks offers a comprehensive portfolio of clock buffers. In addition to universal buffers that support any in/out signal format translation, we offer a wide range of differential and single-ended buffers that provide ultra-low additive jitter and low skew clock distribution. Skyworks also offers a broad range of low-power PCIe buffers that integrate all termination components while providing compliance with PCIe Gen 1/2/3/4 standards.

Portfolio Key Features

- Ultra-low additive jitter as low as 50 fs RMS
- Clock distribution up to 1.25 GHz
- LVPECL, LVDS, HCSL, CML, LVCMOS
- Pin-selectable signal format
- Individual clock output OE control
- Synchronous, glitchless OE control
- Best-in-class power supply noise rejection
- PCIe: push-pull HCSL drivers
- PCIe: integrated termination resistors
- PCIe: Gen 1/2/3/4 compliant
- PCIe: Intel-qualified solutions

Example Application: Switch/Router



Featured Clock Buffers

PRODUCT FAMILY	PART NUMBER	CLOCK INPUTS	CLOCK OUTPUTS	MAX OUTPUT FREQUENCY	TYP JITTER (fsRMS)	LVPECL	LVDS	HCSL	CML	LVCMOS	VOLTAGE (V)	PACKAGE
ANY FORMAT	Si5331x	2	6, 10	1250 MHz	50	✓	✓	✓	✓	✓	1.8, 2.5, 3.3	32QFN
	Si5330x	1, 2	2, 4, 6, 10	725 MHz	50	✓	✓	✓	✓	✓	1.8, 2.5, 3.3	16QFN 32QFN 44QFN
LVPECL	Si5332x	1, 2	2, 4, 5, 6, 10	1250 MHz	50	✓					2.5, 3.3	QFN16 QFN24 QFN32
LVDS	Si5334x	2	4, 6, 8, 10	1250 MHz	50		✓				1.8, 2.5, 3.3	QFN16 QFN24 QFN32
LVCMOS	Si5336x	1, 2	8, 12	200 MHz	100					✓	1.8, 2.5, 3.3	16QFN 24QFN 16TSSOP
PCI EXPRESS	Si53204/8/12	1	4, 8, 12	200 MHz	50			✓			1.5, 1.8	QFN64 QFN48 QFN32
	Si5315x	1	2, 4, 6, 9	210 MHz	100			✓			3.3	24QFN 32QFN 48QFN
	Si53102-Ax	1	2	175 MHz	200			✓			2.5, 3.3	8TDFN
PCI EXPRESS ZERO DELAY BUFFERS	Si5311x	1	6, 8, 12, 15, 19	133 MHz	80			✓			3.3	40QFN 48QFN 64QFN 72QFN
TCXO BUFFERS	SL18860/1	1	3	52 MHz	-					✓	1.8	TDFN10

[Buffers](#)

[PCIe Clock Jitter Tool](#)

[Buffer Development Tools](#)

[Reference Designs](#)

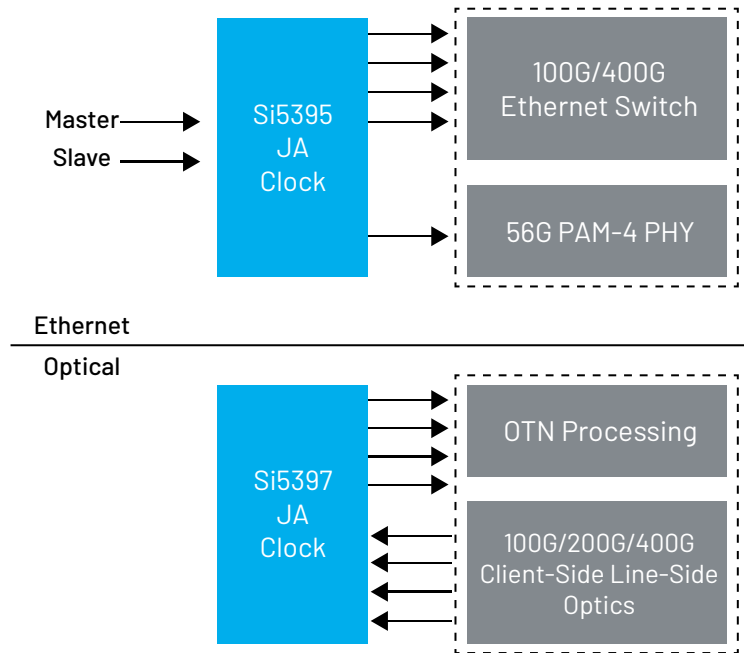
Jitter Attenuating Clocks

Skyworks offers the industry's lowest jitter, most frequency flexible, most highly integrated jitter attenuating clock generators. Leveraging Skyworks' proven DSPLL® and MultiSynth technology, a single jitter attenuating clock can synchronize to a wide range of different clocks, filter jitter, and provide any combination of output frequencies. Skyworks offers an extensive range of jitter attenuating clocks to solve the most complex timing challenges in 100G+ packet optical transport and Ethernet designs.

Portfolio Key Features

- Generate any combination of output frequencies
- Ultra-low jitter as low as 69 fs RMS
- Enhanced hitless switching
- Programmable loop bandwidth down to 0.1 Hz
- Programmable format per output (LVPECL, LVDS, HCSL, CML, LVCMOS)
- Programmable VDDO per output
- Power supply noise rejection eliminates discrete LDO
- Custom samples in 2 weeks
- ClockBuilder Pro support

Example Application:



Featured Jitter Attenuating Clocks

APPLICATION	PART NUMBER	# DSPLL	# MULTISYNTH	CLOCK INPUTS	CLOCK OUTPUTS	MAX OUTPUT FREQUENCY	TYP JITTER (fsRMS)	LVPECL	LVDS	HCSL	CML	LVCMOS	VOLTAGE (V)	PACKAGE
OPTICAL NETWORKING & BROADBAND	Si5395/4/2	1	5/4/2	4	12/4/2	1028 MHz	69	✓	✓	✓	✓	✓	1.8, 3.3	QFN64 /QFN44
	Si5345/4/2	1	5/4/2	4	10/4/2	1028 MHz	90	✓	✓	✓	✓	✓	1.8, 3.3	QFN44 /QFN44
	Si5347	4		4	8/4	720 MHz	90	✓	✓	✓	✓	✓	1.8, 3.3	QFN64
	Si5346	2		4	4	720 MHz	90	✓	✓	✓	✓	✓	1.8, 3.3	QFN44
COHERENT OPTICS	Si5344H/42H	1	2/1	2	4/2	2.75 GHz	50	✓	✓	✓	✓	✓	1.8, 2.5, 3.3	QFN44

Jitter Attenuators

ClockBuilder Pro

JA Development Tools

Reference Designs

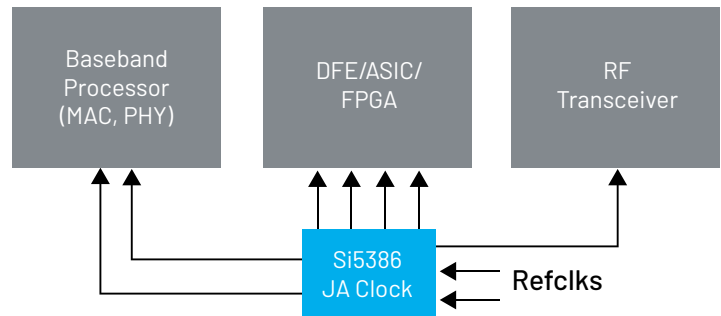
Wireless Clocks

Skyworks offers the industry's most highly integrated clocking solutions for radio access networks, replacing two devices with a single IC while simplifying the overall BOM. Leveraging Skyworks' proven DSPLL and MultiSynth technology, a single jitter attenuating clock can synchronize to a wide range of different clocks, filter jitter, and generate LTE, Ethernet and general-purpose clocks from a single device. All PLL components are integrated on-chip, eliminating the need for discrete VCXOs, XO's and loop filters in the design.

Portfolio Key Features

- Ultra-low phase noise
- Replaces multiple clock IC's and VCXO's
- Generates LTE & Ethernet clocks from single IC
- No external loop filter
- Integrated crystal option
- Noise floor: -165 dBc/Hz
- Power supply noise rejection eliminates discrete LDO
- Custom samples in 2 weeks
- ClockBuilder Pro support

Example Application: Small Cell / DAS



Featured Wireless Clocks

APPLICATION	PART NUMBER	# DSPLL	# MULTISYNTH	CLOCK INPUTS	CLOCK OUTPUTS	MAX OUTPUT FREQUENCY	TYP JITTER (fsRMS)	LVPECL	LVDS	HCSL	CML	LVCMOS	VOLTAGE (V)	PACKAGE
C-RAN SMALL CELLS DAS	Si5386	1	5	4	12	2.94912 GHz	80	✓	✓	✓	✓	✓	1.8, 3.3	LGA64 QFN64
MACRO RRU	Si5380	1	0	4	12	1.475 GHz	65	✓	✓	✓	✓	✓	1.8, 3.3	QFN64
BACKHAUL FRONTHAUL BBU	Si5381	4	0	4	12	2.94912 GHz	80	✓	✓	✓	✓	✓	1.8, 3.3	LGA64 QFN64
	Si5382	2	0	4	12	2.94912 GHz	80	✓	✓	✓	✓	✓	1.8, 3.3	LGA64 QFN64

Wireless Clks

ClockBuilder Pro

Wireless Clk Dev Tools

Reference Designs

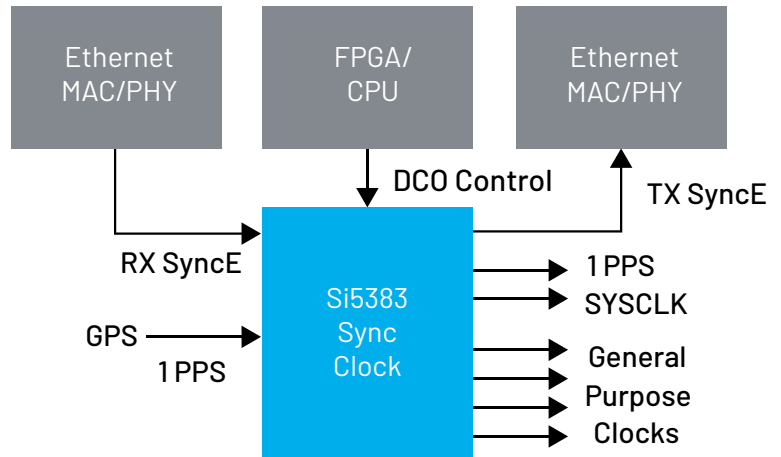
Network Synchronizers (Synchronous Ethernet / IEEE 1588)

Skyworks offers standards-compliant synchronization clocks that lead the industry in terms of jitter performance and power consumption. These products combine network synchronization and jitter attenuation functions in a single device, enabling single-IC designs for pizza box Carrier Ethernet switches/routers and BBU control card applications.

Portfolio Key Features

- Ultra-low jitter as low as 100 fs RMS
- Programmable loop bandwidth down to 1mHz
- Each DSPLL generates any output frequency
- Support for 1PPS/1Hz input and output
- Synchronous, free-run, holdover modes
- Automatic/manual hitless switching
- Pin or SW-controlled 1588 DCO (1 ppt/step)
- Meets G.8262 (SyncE), G.812, G.813
- Suitable for ITU-T G.8273.1 T-GM, G.8273.2
- T-BC, T-TSC
- ClockBuilder Pro support

Example Application: Telecom Boundary Clock



Featured Network Synchronizers

APPLICATION	PART NUMBER	#DSPLL	GPS SYNC (1 PPS INPUT)	MIN LOOP BANDWIDTH	CLOCK INPUTS	CLOCK OUTPUTS	MAX OUTPUT FREQUENCY	TYP JITTER (fsRMS)	LVPECL	LVDS	HCSL	CML	LVCMS05	VOLTAGE (V)	PACKAGE
OPTICAL NETWORKING BROADBAND WIRELESS	Si5383	3	✓	1mHz	5	7		150	✓	✓	✓	✓	✓		LGA56
	Si5384	1	✓	1mHz	5	7	718.5 MHz	150	✓	✓	✓	✓	✓	1.8, 3.3	LGA56
	Si5348	3	✓	1mHz	5	7		150	✓	✓	✓	✓	✓		QFN64

Net Sync

Net Sync Software Tools

Net Sync Dev Tools

Reference Designs

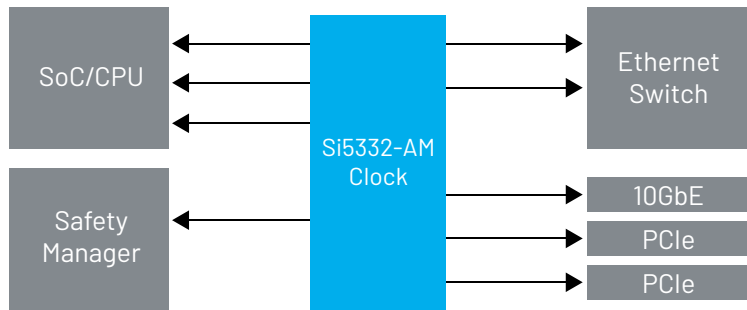
AEC-Q100 Automotive Grade Timing Products

Skyworks offers a comprehensive portfolio of automotive grade 2 timing solutions, providing system designers with solutions that simplify clock tree design, add redundancy, reduce system points of failure, increase system reliability and optimize the performance of high-speed serial data transfer in automotive infotainment, advanced driver assistance systems (ADAS), Lidar/radar sensors and automated driving ECU platforms.

Portfolio Key Features

- 6/8/12-output clock generators
- Multi-format clock buffers
- PCIe Gen1/2/3/4/5 clocks and buffers
- SmartClock™ health monitoring
- -40°C to +105°C, AEC-Q100 qualified
- ClockBuilder Pro support

Example Application:



Featured Products

PRODUCT TYPE	PART NUMBER	CLOCK INPUTS	CLOCK OUTPUTS	MAX OUTPUT FREQUENCY	TYP JITTER (fsRMS)	PCIe	LVPECL	LVDS	HCSL	LVC MOS	VOLTAGE (V)	PACKAGE (MM)
CLOCK GENERATORS	Si5332-AM	2	6	333 MHz	190	Gen 1/2/3/4/5	✓	✓	✓	✓	1.8, 3.3	QFN32
		3	8	333 MHz	190	Gen 1/2/3/4/5	✓	✓	✓	✓	1.8, 3.3	QFN40
		3	12	333 MHz	190	Gen 1/2/3/4/5	✓	✓	✓	✓	1.8, 3.3	QFN48
CLOCK BUFFERS	Si53352	1	2	333 MHz	120 (additive)	Gen 1/2/3/4/5	✓	✓	✓	✓	1.8, 3.3	QFN32
	Si53354	1	4	333 MHz	120 (additive)	Gen 1/2/3/4/5	✓	✓	✓	✓	1.8, 3.3	QFN40
	Si53358	2	8	333 MHz	120 (additive)	Gen 1/2/3/4/5	✓	✓	✓	✓	1.8, 3.3	QFN40
	Si53350	2	10	333 MHz	120 (additive)	Gen 1/2/3/4/5	✓	✓	✓	✓	1.8, 3.3	QFN48
PCIe CLOCK GENERATORS	Si52254	1	4	100 MHz	25	Gen 1/2/3/4/6			✓		1.8, 3.3	QFN32
	Si52258	1	8	100 MHz	25	Gen 1/2/3/4/7			✓		1.8, 3.3	QFN40
PCIe CLOCK BUFFERS	Si53254	2	4	100 MHz	25 (additive)	Gen 1/2/3/4/8			✓		1.8, 3.3	QFN32
	Si53258	2	8	100 MHz	25 (additive)	Gen 1/2/3/4/9			✓		1.8, 3.3	QFN40

[Product Website](#)

[ClockBuilder Pro](#)

[PCIe Clock Jitter Tool](#)

[Development Tools](#)



Timing Portfolio

<https://www.skyworksinc.com/Products/Timing>

Copyright © 2021 Skyworks Solutions, Inc. All Rights Reserved.

Information in this document is provided in connection with Skyworks Solutions, Inc. ("Skyworks") products or services. These materials, including the information contained herein, are provided by Skyworks as a service to its customers and may be used for informational purposes only by the customer. Skyworks assumes no responsibility for errors or omissions in these materials or the information contained herein. Skyworks may change its documentation, products, services, specifications or product descriptions at any time, without notice. Skyworks makes no commitment to update the materials or information and shall have no responsibility whatsoever for conflicts, incompatibilities, or other difficulties arising from any future changes.

No license, whether express, implied, by estoppel or otherwise, is granted to any intellectual property rights by this document. Skyworks assumes no liability for any materials, products or information provided hereunder, including the sale, distribution, reproduction or use of Skyworks products, information or materials, except as may be provided in Skyworks' Terms and Conditions of Sale.

THE MATERIALS, PRODUCTS AND INFORMATION ARE PROVIDED "AS IS" WITHOUT WARRANTY OF ANY KIND, WHETHER EXPRESS, IMPLIED, STATUTORY, OR OTHERWISE, INCLUDING FITNESS FOR A PARTICULAR PURPOSE OR USE, MERCHANTABILITY, PERFORMANCE, QUALITY OR NON-INFRINGEMENT OF ANY INTELLECTUAL PROPERTY RIGHT; ALL SUCH WARRANTIES ARE HEREBY EXPRESSLY DISCLAIMED. SKYWORKS DOES NOT WARRANT THE ACCURACY OR COMPLETENESS OF THE INFORMATION, TEXT, GRAPHICS OR OTHER ITEMS CONTAINED WITHIN THESE MATERIALS. SKYWORKS SHALL NOT BE LIABLE FOR ANY DAMAGES, INCLUDING BUT NOT LIMITED TO ANY SPECIAL, INDIRECT, INCIDENTAL, STATUTORY, OR CONSEQUENTIAL DAMAGES, INCLUDING WITHOUT LIMITATION, LOST REVENUES OR LOST PROFITS THAT MAY RESULT FROM THE USE OF THE MATERIALS OR INFORMATION, WHETHER OR NOT THE RECIPIENT OF MATERIALS HAS BEEN ADVISED OF THE POSSIBILITY OF SUCH DAMAGE.

Skyworks products are not intended for use in medical, lifesaving or life-sustaining applications, or other equipment in which the failure of the Skyworks products could lead to personal injury, death, physical or environmental damage. Skyworks customers using or selling Skyworks products for use in such applications do so at their own risk and agree to fully indemnify Skyworks for any damages resulting from such improper use or sale.

Customers are responsible for their products and applications using Skyworks products, which may deviate from published specifications as a result of design defects, errors, or operation of products outside of published parameters or design specifications. Customers should include design and operating safeguards to minimize these and other risks. Skyworks assumes no liability for applications assistance, customer product design, or damage to any equipment resulting from the use of Skyworks products outside of Skyworks' published specifications or parameters.

Skyworks, the Skyworks symbol, Sky5[®], SkyOne[®], SkyBlue[™], Skyworks Green[™], Clockbuilder[®], DSPLL[®], ISOModem[®], ProSLIC[®], and SiPHY[®] are trademarks or registered trademarks of Skyworks Solutions, Inc. or its subsidiaries in the United States and other countries. Third-party brands and names are for identification purposes only and are the property of their respective owners. Additional information, including relevant terms and conditions, posted at www.skyworksinc.com, are incorporated by reference.

X-ON Electronics

Largest Supplier of Electrical and Electronic Components

Click to view similar products for [Clock Generators & Support Products](#) *category:*

Click to view products by [Silicon Labs](#) *manufacturer:*

Other Similar products are found below :

[CV183-2TPAG](#) [950810CGLF](#) [9DBV0741AKILF](#) [9VRS4420DKLF](#) [CY25404ZXI226](#) [CY25422SXI-004](#) [MPC9893AE](#) [NB3H5150-01MNTXG](#) [PL602-20-K52TC](#) [ICS557GI-03LF](#) [PI6LC48P0101LIE](#) [82P33814ANLG](#) [840021AGLF](#) [ZL30244LFG7](#) [PI6LC48C21LE](#) [ZL30245LFG7](#) [PI6LC48P0405LIE](#) [PI6LC48P03LE](#) [MAX24505EXG+](#) [ZL30163GDG2](#) [5L1503L-000NVGI8](#) [ZL30673LFG7](#) [MAX24188ETK2](#) [ZL30152GGG2](#) [5L1503-000NVGI8](#) [PI6C557-01BZHIEX](#) [PI6LC48C21LIE](#) [CY2542QC002](#) [5P35023-106NLGI](#) [5X1503L-000NLGI8](#) [ZL30121GGG2V2](#) [ZL30282LDG1](#) [ZL30102QDG1](#) [ZL30159GGG2](#) [DS1070K](#) [ZL30145GGG2](#) [ZL30312GKG2](#) [MAX24405EXG2](#) [ZL30237GGG2](#) [SY100EL34LZG](#) [9FGV1002BQ506LTGI](#) [AD9518-4ABCPZ](#) [MX852BB0030](#) [PI6LC4840ZHE](#) [AD9516-0BCPZ-REEL7](#) [AD9574BCPZ-REEL7](#) [PL602-21TC-R](#) [ZL30105QDG1](#) [ZL30100QDG1](#) [ZL30142GGG2](#)