



## UNCOMPENSATED SO-16 LOW PRESSURE SENSOR SM9D/SM9G SERIES

The low pressure SM9D/G series is available in pressure ranges of 0.15, 0.6 & 1.5 PSI full-scale in gauge and differential configurations. All parts in this series are uncompensated die mounted in a rugged plastic package designed for surface mounting. The surface mount small outline package (SO-16) is available horizontal and vertical configuration for differential pressure and in vertical configuration for gage pressure.

### Features

- Uncompensated millivolt analog output
- Differential or gage pressure options
- Vertical or horizontal porting configurations
- Pressure ranges: 0.15, 0.6 & 1.5 PSI
- Variable supply voltage
- Built in ESD protection

### Applications

- Patient Monitoring
- Wound Therapy
- Handheld Meters
- Pneumatic Gauges
- Pressure Switches
- Sports Equipment
- Appliances

# UNCOMPENSATED SO-16 PRESSURE SENSOR

SM9D/SM9G Series

## 1. Absolute Maximum Ratings

All parameters are specified at  $V_{DD} = 5.00$  V DC SUPPLY at 25°C, unless otherwise noted

Characteristic	Symbol	Min	Typ	Max	Units
Supply Voltage <sup>(a, c)</sup>	$V_{DD}$	-	-	6.5	V
Supply Current <sup>(a, c)</sup>	$I_{VDD}$	-	-	1.6	mA
Operating Temperature Range <sup>(b)</sup>	$T_{OP}$	-40	-	+85	°C
Storage Temperature <sup>(b)</sup>	$T_{STG}$	-40	-	+125	°C
ESD Voltage (HBM)	$V_{ESD}$	4	-	-	kV

Product	Operating Pressure	Proof Pressure ( $P_{PROOF}$ ) <sup>(d, e)</sup>	Burst Pressure ( $P_{BURST}$ ) <sup>(d, f)</sup>
SM9X-BXX-X-001S-000	0.15 PSI	1.5 PSI	3.0 PSI
SM9X-BXX-X-006S-000	0.6 PSI	4.8 PSI	6.0 PSI
SM9X-BXX-X-015S-000	1.5 PSI	12.0 PSI	15.0 PSI

## 2. Operating Characteristics Table

All parameters are specified at  $V_{DD} = 5.0$  V DC SUPPLY at 25°C, unless otherwise noted.

Characteristic	Symbol	Min	Typ	Max	Units
Span <sup>(0.15 PSI) (g)</sup>	$V_{SPAN}$	30	45	60	mV
Span <sup>(0.60, 1.5 PSI) (g)</sup>		50	90	120	
Zero Offset	$V_{ZERO}$	-55	0	+55	mV
TC Span <sup>(g, i, j)</sup>	TCS	-0.24	-0.21	-0.15	%FS/°C
TC Zero Offset <sup>(g, i, j)</sup>	TCZ		0 to +100		$\mu$ V/°C
TC Resistance <sup>(h, i, j)</sup>	TCR	0.17	0.20	0.23	% $R_B$ /°C
Topside Linearity <sup>(g, j)</sup>	NL	-0.15	$\pm$ 0.1	0.15	%FS
Backside Linearity <sup>(g, j)</sup>		-0.35	$\pm$ 0.2	0.35	
Bridge Resistance	$R_B$	4.0	5.0	6.0	k $\Omega$

### Notes:

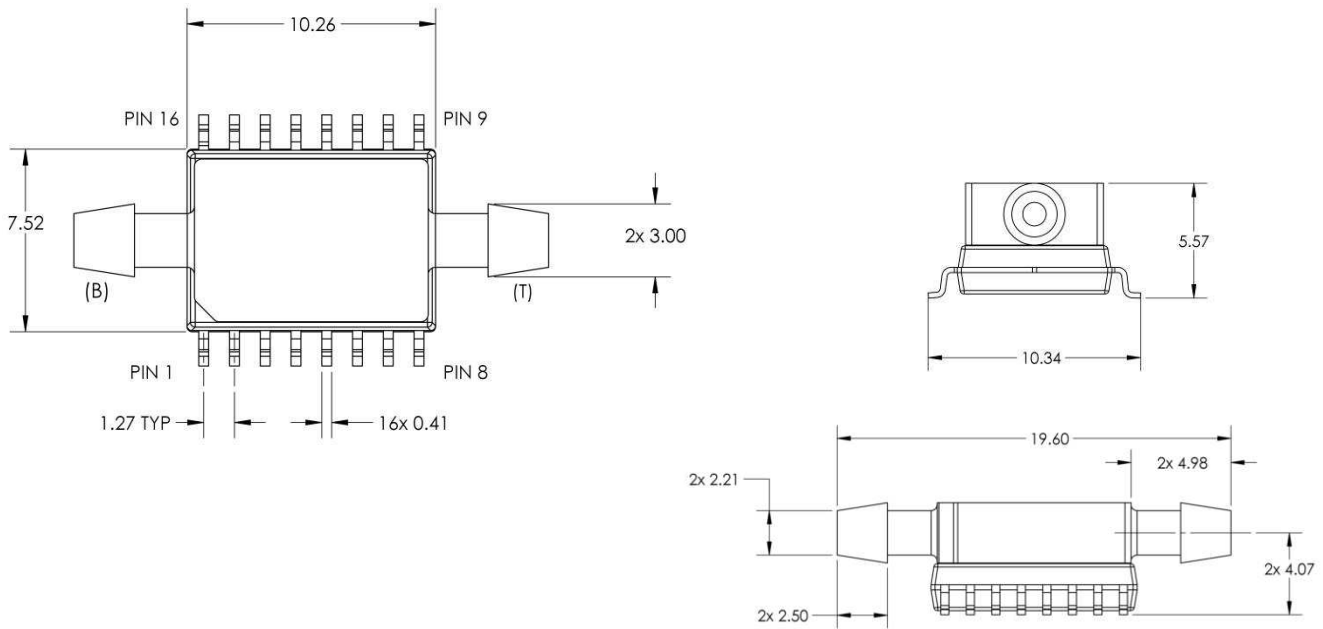
- The device can only be driven with the supply voltage connected to the pins as shown. The positive output will increase with increasing pressure applied to the package.
- Tested on a sample basis.
- Never exceed 6.5 V supply voltage under any operating conditions.
- Tested on a sample basis.
- Proof pressure is defined as the maximum pressure to which the device can be taken and still perform within specifications after returning to the operating pressure range.
- Burst pressure is the pressure at which the device suffers catastrophic failure resulting in pressure loss through the device.
- Tested on a sample basis.
- The device can only be driven with the supply voltage connected to the pins as shown.
- Determined by measurements taken between -40°C and 85°C.
- Defined as best fit straight line.

# UNCOMPENSATED SO-16 PRESSURE SENSOR

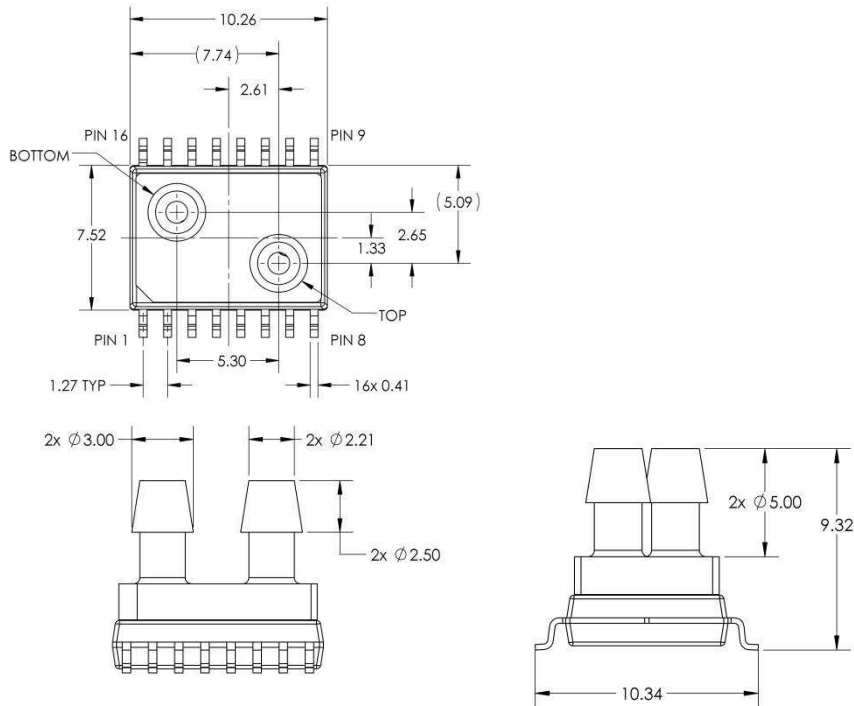
SM9D/SM9G Series

## 3. Diagrams & Dimensions

### Dual Horizontal Porting Configuration: SM9D-BB



### Dual Vertical Porting Configuration: SM9D-BC



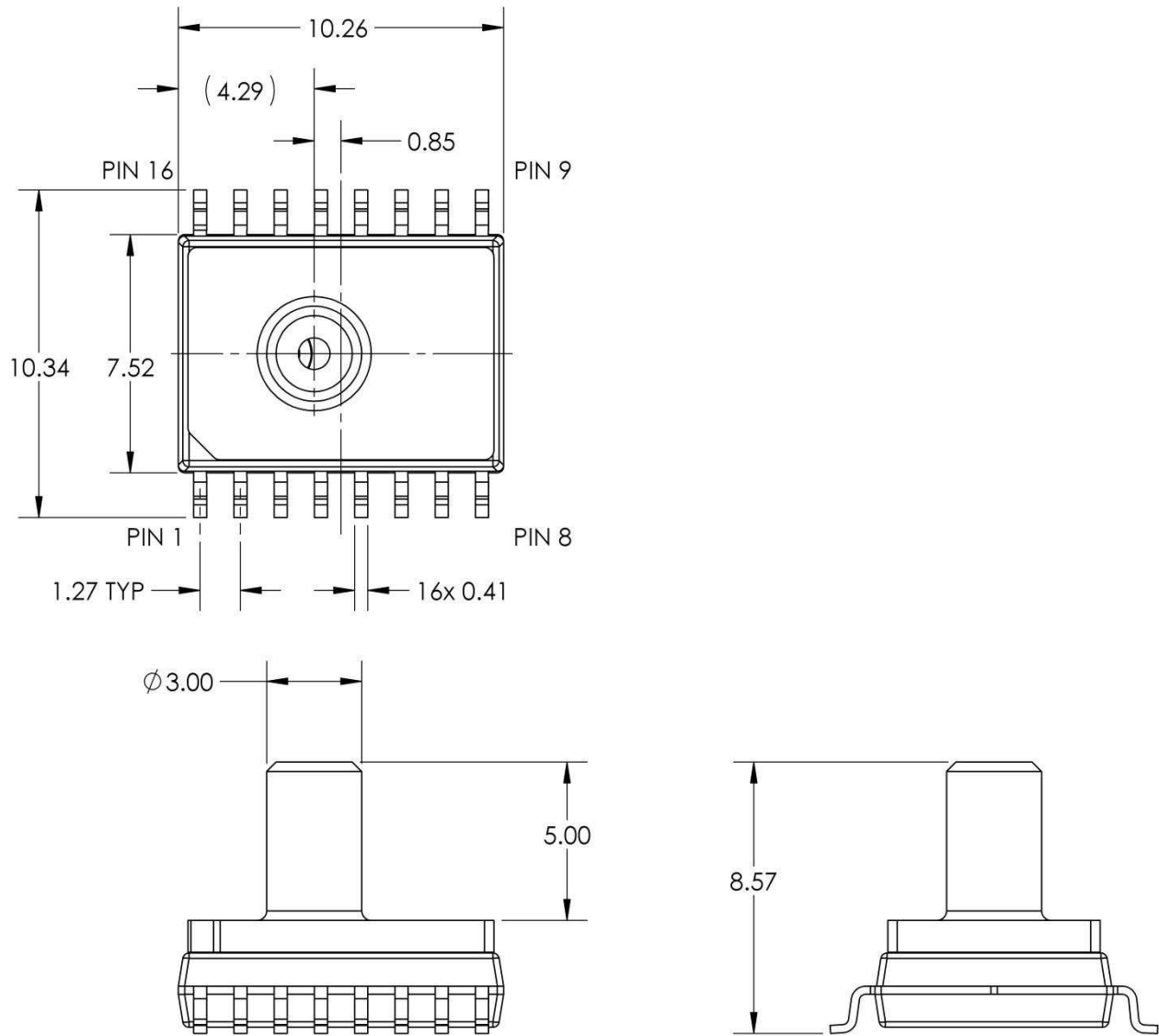
#### Notes:

- All dimensions in units of [mm]
- Moisture Sensitivity Level (MSL): Level 3
- Positive pressure applied to the topside of the die [T] is resulting in a positive change in output.

# UNCOMPENSATED SO-16 PRESSURE SENSOR

SM9D/SM9G Series

## Single Vertical Porting Configuration: SM9G-BG



### Notes:

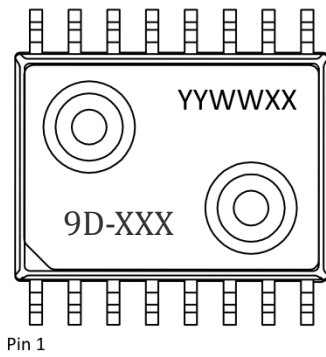
- All dimensions in units of [mm]
- Moisture Sensitivity Level (MSL): Level 3
- Positive pressure applied to the port is resulting in a positive change in output. Pressure is applied to the backside of the die

# UNCOMPENSATED SO-16 PRESSURE SENSOR

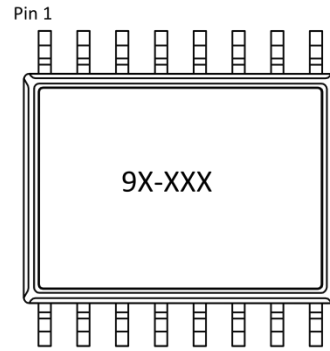
SM9D/SM9G Series

## Part & Lot Number Identification

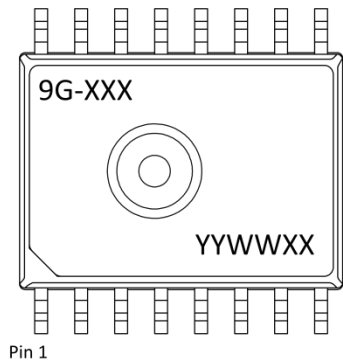
Top View



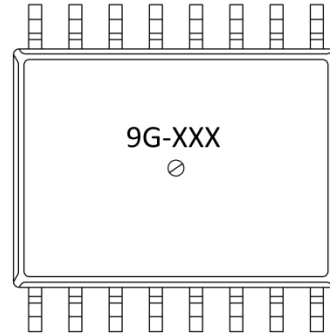
Bottom View



Pin 1

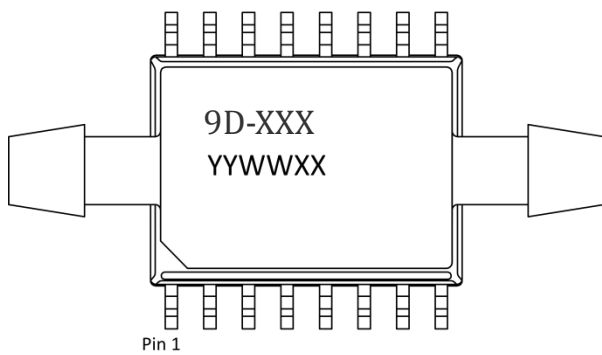


Pin 1

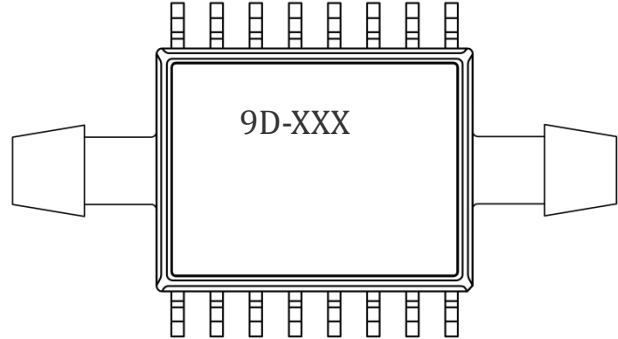


Only in Gage pressure

Pin 1



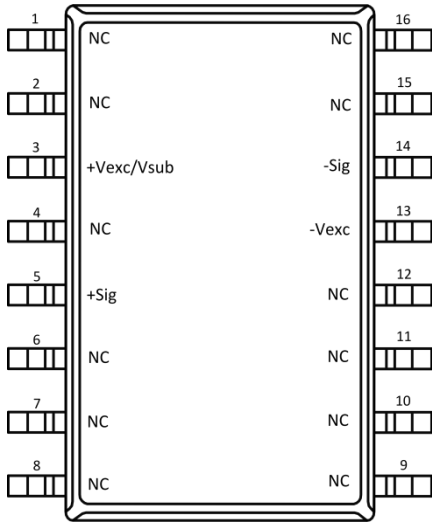
Pin 1



# UNCOMPENSATED SO-16 PRESSURE SENSOR

SM9D/SM9G Series

## SM9D Package Pin-Out (Dual Horizontal & Dual Vertical)

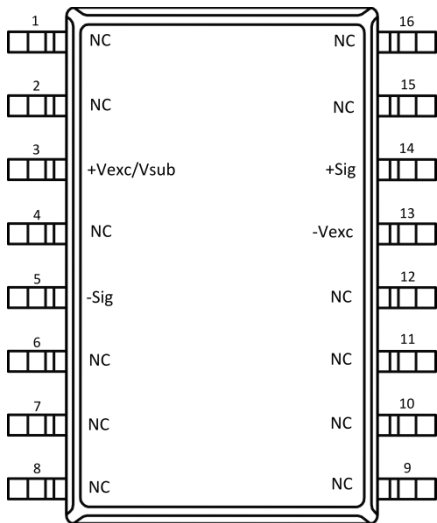


Typical Operation			
Pin	Description	Type	Value
3	+Vexc/Vsub	Power	Up to 5 V
5	-Sig	Analog Out	-
13	-Vexc	Power	Ground
14	+Sig	Analog Out	-

**Notes:**

- Do not connect to NC pins
- Applies dual ported vertical and horizontal packages
- Positive pressure applied to the topside of the die [T] is resulting in a positive change in output.

## SM9G Package Pin-Out (Single Vertical)



Typical Operation			
Pin	Description	Type	Value
3	+Vexc/Vsub	Power	Up to 5 V
5	+Sig	Analog Out	-
13	-Vexc	Power	Ground
14	-Sig	Analog Out	-

**Notes:**

- Do not connect to NC pins
- Applies dual ported vertical and horizontal packages
- Positive pressure applied to the port results in a positive change in output. Pressure is applied to the backside of the die.

# UNCOMPENSATED SO-16 PRESSURE SENSOR

SM9D/SM9G Series

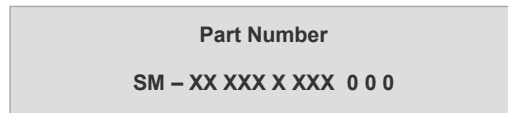
## 4. Ordering Information

Order Code	Pressure Type	Full-Scale Pressure Range	Cap Configuration	Shipping Configuration <sup>(a)</sup>
SM9D-BCK-T-001S-000	Differential	0.15 PSI	Dual Vertical	Tape & Reel 350 devices per reel
SM9D-BCK-T-006S-000		0.60 PSI		
SM9D-BCK-T-015S-000		1.50 PSI		
SM9D-BBK-T-001S-000	Differential	0.15 PSI	Dual Horizontal	Tape & Reel 500 devices per reel
SM9D-BBK-T-006S-000		0.60 PSI		
SM9D-BBK-T-015S-000		1.50 PSI		
SM9G-BGK-T-001S-000	Gage	0.15 PSI	Single Vertical	Tape & Reel 400 devices per reel
SM9G-BGK-T-006S-000		0.60 PSI		
SM9G-BGK-T-015S-000		1.50 PSI		

**Notes:**

- a) All parts also available in shipping configuration Sticks, see section 5. Part Numbering Key for ordering information.

## 5. Part Numbering Key



**Series**

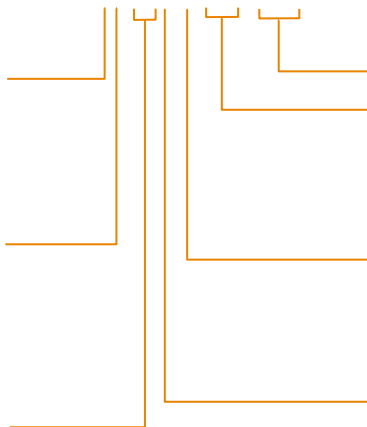
<b>9</b>	Uncompensated Low Pressure
----------	----------------------------

**Pressure Type**

<b>G</b>	Gage
<b>D</b>	Differential

**Package Type and Porting**

<b>BB</b>	S0-16 Dual Horizontal
<b>BC</b>	S0-16 Dual Vertical
<b>BK</b>	S0-16 Single Vertical



**Counter Pressure Range**

**Shipping Format**

<b>S</b>	Stick
<b>T</b>	Tape & Reel

**Operating Temperature Range**

<b>K</b>	-40 to +85°C
----------	--------------

# UNCOMPENSATED SO-16 PRESSURE SENSOR

SM9D/SM9G Series

## 6. Qualification Standards

REACH Compliant  
RoHS Compliant  
PFOS/PFOA Compliant  
For qualification specifications



### GLOBAL

Tel +1 408 577 0100  
[customercare.mlpt@te.com](mailto:customercare.mlpt@te.com)

### te.com/sensors

TE Connectivity, TE, TE Connectivity (logo) and Every Connection Counts are trademarks. All other logos, products and/or company names referred to herein might be trademarks of their respective owners

The information given herein, including drawings, illustrations and schematics which are intended for illustration purposes only, is believed to be reliable. However, TE Connectivity makes no warranties as to its accuracy or completeness and disclaims any liability in connection with its use. TE Connectivity's obligations shall only be as set forth in TE Connectivity's Standard Terms and Conditions of Sale for this product and in no case will TE Connectivity be liable for any incidental, indirect or consequential damages arising out of the sale, resale, use or misuse of the product. Users of TE Connectivity products should make their own evaluation to determine the suitability of each such product for the specific application.

© 2020 TE Connectivity Corporation. All Rights Reserved.

Version 05/2020





## X-ON Electronics

Largest Supplier of Electrical and Electronic Components

*Click to view similar products for [Board Mount Pressure Sensors](#) category:*

*Click to view products by [Silicon Microstructures](#) manufacturer:*

Other Similar products are found below :

[6407-249V-17343P](#) [6407-250V-09273P](#) [80527-25.0H2-05](#) [80541-B00000150-01](#) [80541-B00000200-05](#) [80554-00700100-05](#) [80568-00300050-01](#) [93.631.4253.0](#) [93.731.4353.0](#) [93.932.4553.0](#) [136PC150G2](#) [136PC15A1](#) [142PC95AW71](#) [142PC05DW70](#) [15PSI-G-4V](#) [1805-01A-L0N-B](#) [26PCBKT](#) [26PCCFA6D26](#) [26PCCFS2G](#) [26PCCVA6D](#) [93.632.7353.0](#) [93.731.3653.0](#) [93.931.4853.0](#) [93.932.4853.0](#) [SCDA120-XSC05DC](#) [185PC30DH](#) [20INCH-G-MV-MINI](#) [26PCAFJ3G](#) [26PCCEP5G24](#) [26PCDFA3G](#) [26PCJEU5G19](#) [ASCX15AN-90](#) [TSCSAAN001PDUCV](#) [DCAL401DN](#) [DCAL401GN](#) [XZ202798SSC](#) [XZ203676HSC](#) [6407-249V-09343P](#) [6407-250V-17343P](#) [SP370-25-116-0](#) [81794-B00001200-01](#) [HSCDLNN100PGAA5](#) [82681-B00000100-01](#) [81618-B00000040-05](#) [SSCDJNN015PAAA5](#) [TSCSAAN100PDUCV](#) [NBPDANN015PGUNV](#) [NBPLLNS150PGUNV](#) [142PC100D](#) [80541-B00000150-05](#)