

# 600V High and Low Side Driver

## PRODUCT SUMMARY

- $V_{\text{OFFSET}}$  600 V max.
- $I_{\text{O}+/-}$  (typ.) 450mA / 950mA
- $V_{\text{OUT}}$  10 V - 20 V
- $t_{\text{on/off}}$  (typ.) 150ns / 220ns

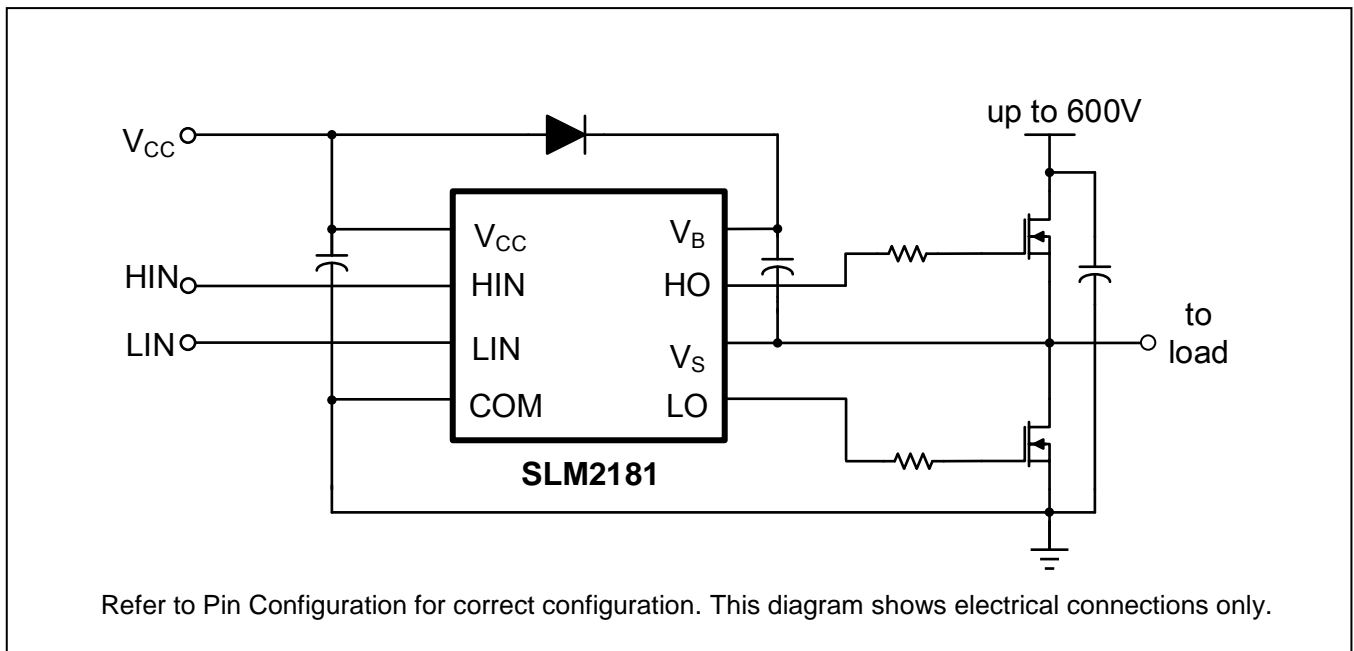
## GENERAL DESCRIPTION

The SLM2181 is a high voltage, high speed power MOSFET and IGBT drivers with independent high- and low-side referenced output channels. Proprietary HVIC and latch immune CMOS technologies enable ruggedized monolithic construction. The logic input is compatible with standard CMOS or LSTTL output, down to 3.3 V logic. The output drivers feature a high pulse current buffer stage designed for minimum driver cross conduction. Propagation delays are matched to simplify use in high frequency applications. The floating channel can be used to drive an N-channel power MOSFET or IGBT in the high-side configuration which operates up to 600 V.

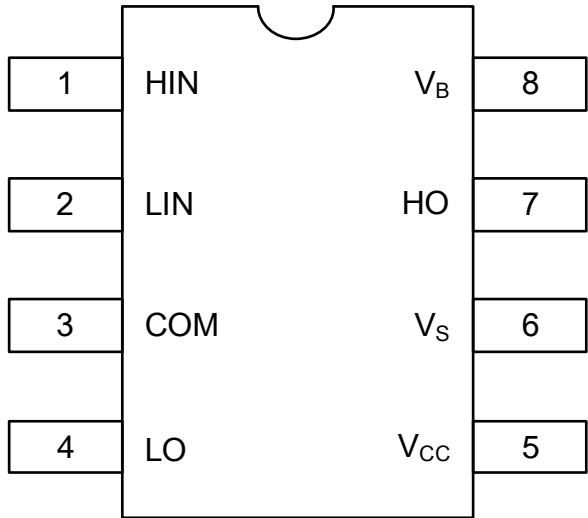
## FEATURES

- Floating channel designed for bootstrap operation
- Fully operational to +600 V
- Low  $V_{\text{CC}}$  operation
- Tolerant to negative transient voltage,  $dV/dt$  immune
- Gate drive supply range from 10 V to 20 V
- Under-Voltage lockout for both channels
- 3.3 V, and 5 V logic compatible
- CMOS Schmitt-triggered inputs with pull-down
- Matched propagation delay for both channels
- Outputs in phase with inputs
- RoHS compliant
- SOIC-8 package

## TYPICAL APPLICATION CIRCUIT



**PIN CONFIGURATION**

Package	Pin Configuration (Top View)
SOIC-8	

**PIN DESCRIPTION**

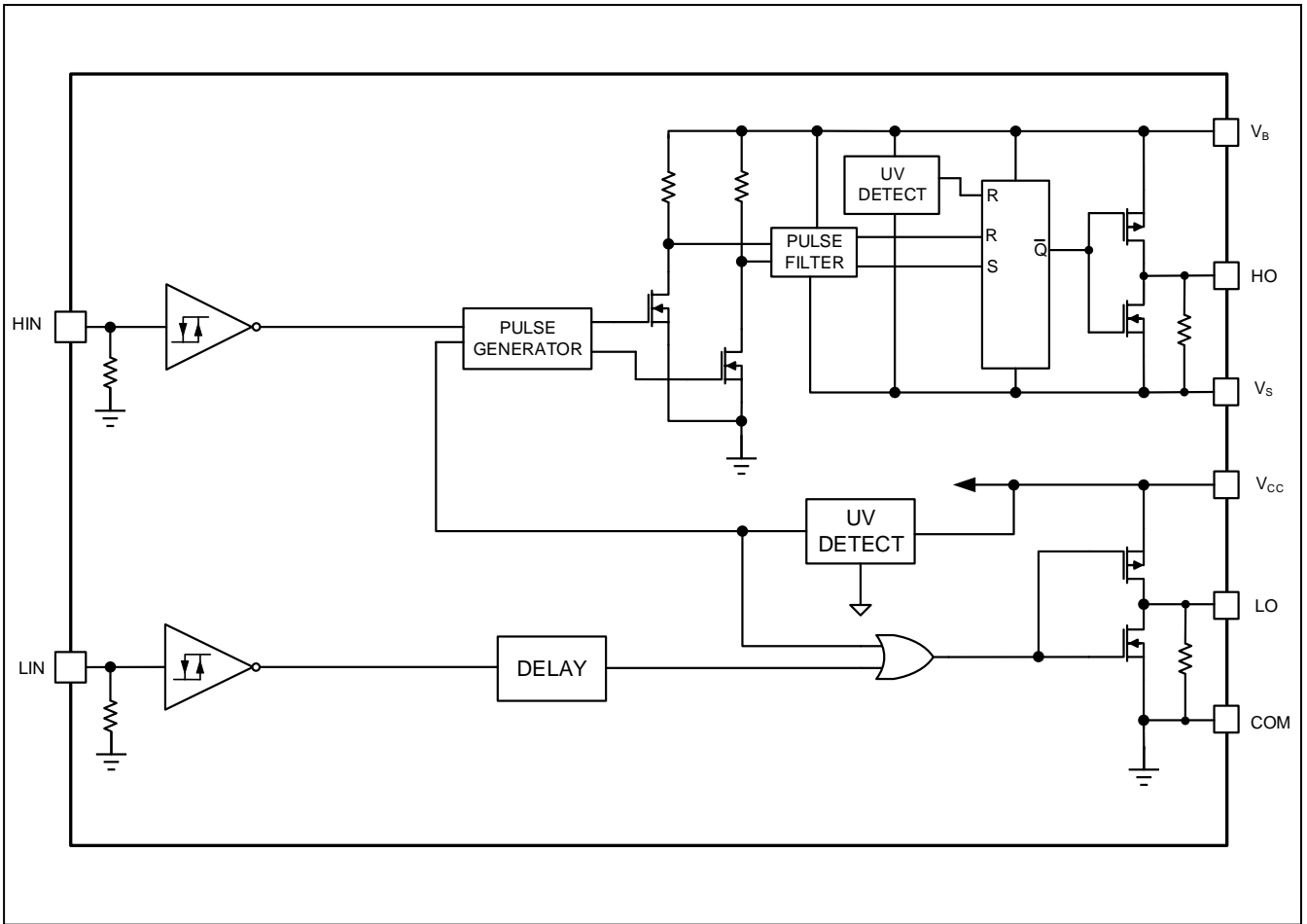
No.	Pin	Description
1	HIN	Logic input for high-side gate driver output (HO), in phase
2	LIN	Logic input for low-side gate driver output (LO), in phase
3	COM	Low-side return
4	LO	Low-side gate drive output
5	V <sub>CC</sub>	Low-side and logic fixed supply
6	V <sub>s</sub>	High-side floating supply return
7	HO	High-side gate drive output
8	V <sub>B</sub>	High-side floating supply

**ORDERING INFORMATION**

Industrial Range: -40°C to +125°C

Order Part No.	Package	QTY
SLM2181CA-DG	SOIC8, Pb-Free	2500/Reel

**FUNCTIONAL BLOCK DIAGRAM**



**ABSOLUTE MAXIMUM RATINGS**

Symbol	Definition	Min.	Max.	Units
V <sub>B</sub>	High-side floating absolute voltage	-0.3	625	V
V <sub>S</sub>	High-side floating supply offset voltage	V <sub>B</sub> - 25	V <sub>B</sub> + 0.3	
V <sub>HO</sub>	High-side floating output voltage	V <sub>S</sub> - 0.3	V <sub>B</sub> + 0.3	
V <sub>CC</sub>	Low-side and logic fixed supply voltage	-0.3	25	
V <sub>LO</sub>	Low-side output voltage	-0.3	V <sub>CC</sub> + 0.3	
V <sub>IN</sub>	Logic input voltage (HIN & LIN)	-0.3	V <sub>CC</sub> + 0.3	
dV <sub>S</sub> /dt	Allowable offset supply voltage transient	---	50	V/ns
P <sub>D</sub>	Package power dissipation @ T <sub>A</sub> ≤ +25°C	---	0.625	W
θ <sub>JA</sub>	Thermal resistance, junction to ambient	---	200	°C/W
T <sub>J</sub>	Junction temperature	---	150	°C
T <sub>S</sub>	Storage temperature	-55	150	
T <sub>L</sub>	Lead temperature (soldering, 10 seconds)	---	300	

**Note:** Absolute maximum ratings indicate sustained limits beyond which damage to the device may occur. All voltage parameters are absolute voltages referenced to COM. The thermal resistance and power dissipation ratings are measured under board mounted and still air conditions.

**RECOMMENDED OPERATION CONDITIONS**

Symbol	Definition	Min.	Max.	Units
V <sub>B</sub>	High-side floating absolute voltage	V <sub>S</sub> + 10	V <sub>S</sub> + 20	V
V <sub>S</sub>	High-side floating supply offset voltage		600	
V <sub>HO</sub>	High-side floating output voltage	V <sub>S</sub>	V <sub>B</sub>	
V <sub>CC</sub>	Low-side and logic fixed supply voltage	10	20	
V <sub>LO</sub>	Low-side output voltage	0	V <sub>CC</sub>	
V <sub>IN</sub>	Logic input voltage (HIN & LIN)	COM	V <sub>CC</sub>	
T <sub>A</sub>	Ambient temperature	- 40	125	°C

**Note:** The input/output logic timing diagram is shown in Figure 1. For proper operation the device should be used within the recommended conditions. The V<sub>S</sub> offset rating is tested with all supplies biased at a 15 V differential.

## DYNAMIC ELECTRICAL CHARACTERISTICS

$V_{BIAS}$  ( $V_{CC}$ ,  $V_{BS}$ ) = 15 V,  $C_L$  = 1000 pF and  $T_A$  = 25°C unless otherwise specified.

Symbol	Parameter	Condition	Min.	Typ.	Max.	Unit
$t_{on}$	Turn-on propagation delay	$V_S = 0$ V	---	150	300	ns
$t_{off}$	Turn-off propagation delay	$V_S = 0$ V	---	220	400	
$t_r$	Turn-on rise time		---	45	80	
$t_f$	Turn-off fall time		---	17	40	
MT	Delay matching, HS & LS turn-on/off		---	---	35	

## STATIC ELECTRICAL CHARACTERISTICS

$V_{BIAS}$  ( $V_{CC}$ ,  $V_{BS}$ ) = 15 V and  $T_A$  = 25°C unless otherwise specified. The  $V_{IN}$ ,  $V_{TH}$ , and  $I_{IN}$  parameters are referenced to COM and are applicable to all logic input leads: HIN and LIN. The  $V_O$  and  $I_O$  parameters are referenced to COM and are applicable to the respective output leads: HO or LO.

Symbol	Parameter	Condition	Min.	Typ.	Max.	Unit
$V_{IH}$	Logic "1" input voltage	$V_{CC} = 10$ V to 20V	2.5	---	---	V
$V_{IL}$	Logic "0" input voltage		---	---	0.8	
$V_{OH}$	High level output voltage, $V_{BIAS} - V_O$	$I_O = 2$ mA	---	0.05	0.2	
$V_{OL}$	Low level output voltage, $V_O$		---	0.02	0.15	
$I_{LK}$	Offset supply leakage current	$V_B = V_S = 600$ V	---	---	50	$\mu$ A
$I_{QBS}$	Quiescent $V_{BS}$ supply current	$V_{IN} = 0$ V		60	78	
$I_{QCC}$	Quiescent $V_{CC}$ supply current			220	300	
$I_{IN+}$	Logic "1" input bias current	HIN=LIN = 5V	---	8	15	
$I_{IN-}$	Logic "0" input bias current	HIN=LIN= 0V	---	---	5	
$V_{CCUV+}$	$V_{CC}$ supply undervoltage positive going threshold		7.2	8.0	8.9	V
$V_{CCUV-}$	$V_{CC}$ supply undervoltage negative going threshold		6.4	7.4	8.0	
$V_{BSUV+}$	$V_{BS}$ supply undervoltage positive going threshold		6.4	7.2	8.0	V
$V_{BSUV-}$	$V_{BS}$ supply undervoltage negative going threshold		5.8	6.6	7.4	
$I_{O+}$	Output high short circuit pulsed current	$V_O = 0$ V, $V_{IN} =$ Logic "1", $PW \leq 10$ $\mu$ s	320	450		mA
$I_{O-}$	Output low short circuit pulsed current	$V_O = 15$ V, $V_{IN} =$ Logic "0", $PW \leq 10$ $\mu$ s	680	950		

**SWITCHING AND TIMING RELATIONSHIPS**

The relationships between the input and output signals of the SLM2181 are illustrated Figure 1 and Figure 2. These figures show the definitions of several timing parameters (i.e.,  $t_{on}$ ,  $t_{off}$ ,  $t_r$ , and  $t_f$ ) associated with this device.

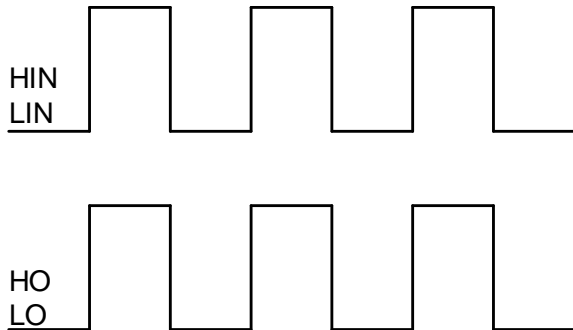


Figure 1. Input/Output Timing Diagram

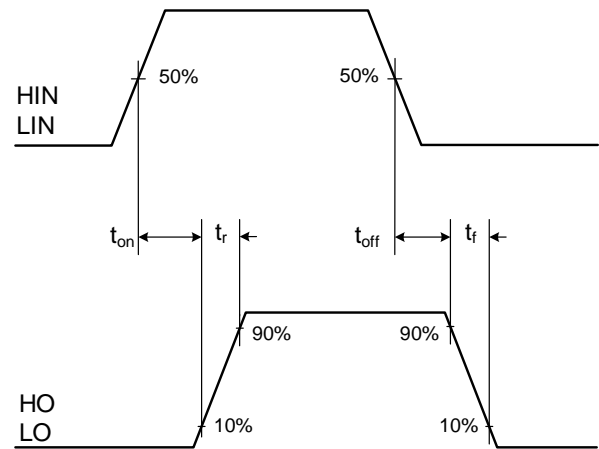


Figure 2. Switching Time Waveform

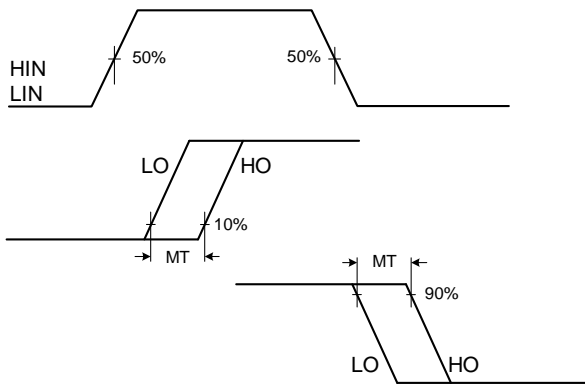


Figure 3. Delay Matching Waveform

**PACKAGE CASE OUTLINES**

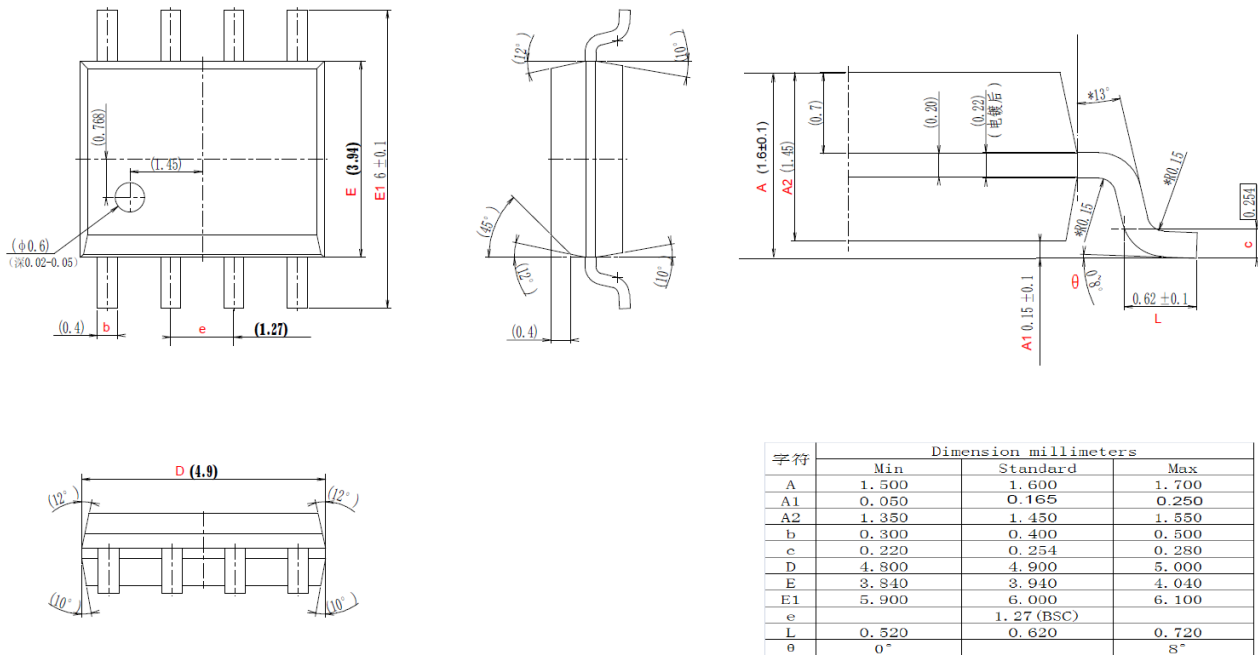


Figure 4. SOIC8 Outline Dimensions

**REVISION HISTORY**

Note: page numbers for previous revisions may differ from page numbers in current version

Page or Item	Subjects (major changes since previous revision)
<b>Rev 0.1 datasheet, 2020-1-10</b>	
Whole document	Draft datasheet released
<b>Rev 1.0 datasheet, 2021-11-10</b>	
Whole datasheet	Update the Logo and format
Page 2	Remove the SLM2181CA-TG from the ordering information
Page 3	Update the function block diagram
Page 5	Update the $t_{on}$ , $t_{off}$ , $t_r$ and $t_f$ in the dynamic electrical characteristics Update the $V_{OH}$ , $I_{QBS}$ , $I_{IN+}$ , $V_{CCUV-}$ , $I_{O+}$ and $I_{O-}$ in the static electrical characteristics



## X-ON Electronics

Largest Supplier of Electrical and Electronic Components

*Click to view similar products for [Gate Drivers](#) category:*

*Click to view products by [Sillumin](#) manufacturer:*

Other Similar products are found below :

[00028](#) [00053P0231](#) [56956](#) [57.404.7355.5](#) [LT4936](#) [57.904.0755.0](#) [5811-0902](#) [5882900001](#) [00600P0005](#) [00-9050-LRPP](#) [00-9090-RDPP](#)  
[5951900000](#) [0131700000](#) [00-2240](#) [LTP70N06](#) [LVP640](#) [5J0-1000LG-SIL](#) [LY2-US-AC240](#) [LY3-UA-DC24](#) [00576P0020](#) [00600P0010](#)  
[LZN4-UA-DC12](#) [LZNQ2M-US-DC5](#) [LZNQ2-US-DC12](#) [LZP40N10](#) [00-8196-RDPP](#) [00-8274-RDPP](#) [00-8275-RDNP](#) [00-8609-RDPP](#) [00-](#)  
[8722-RDPP](#) [00-8728-WHPP](#) [00-8869-RDPP](#) [00-9051-RDPP](#) [00-9091-LRPP](#) [00-9291-RDPP](#) [0207100000](#) [0207400000](#) [60100564](#) [60249-1-](#)  
[CUT-TAPE](#) [0134220000](#) [60713816](#) [M15730061](#) [61161-90](#) [61278-0020](#) [6131-204-23149P](#) [6131-205-17149P](#) [6131-209-15149P](#) [6131-218-](#)  
[17149P](#) [6131-220-21149P](#) [6131-260-2358P](#)