

## 2.5A Output Current Opto-Compatible Single Channel Isolated IGBT Gate Driver with Active Protection Features

### GENERAL DESCRIPTION

The SLMi333 isolated driver is an advanced opto-compatible single channel isolated IGBT gate driver with active protection features, such as desaturation detection, UVLO, isolated fault sensing and active miller clamp. The SLMi333 can provide 2.5A peak output current and it has auto-fault reset feature. The default desaturation threshold is 6.5V for devices without suffix H and 9V for devices with suffix H.

The input side supply operates from 3V to 18V and the output side supply allows for a range from 14V to 40V. All the supply voltage pins have under voltage lock-out (UVLO) protection.

An internal desaturation (DESAT) fault detection recognizes when the IGBT is in an overcurrent condition. When desaturation is active, a fault signal is sent across the isolation barrier, pulling the FAULT output at the input side low and blocking the isolator input. When the IGBT is turned off during normal operation with bipolar output supply, the output is clamp to VEE. If the output supply is unipolar, an active Miller clamp can be used, allowing Miller current to sink across a low impedance path, preventing IGBT to be dynamically turned on during high voltage transient conditions. The input side is isolated from output drivers by a 5kV<sub>RMS</sub> reinforced isolation barrier, with a minimum of 150kV/us common-mode transient immunity (CMTI).

### FEATURES

- 2.5A source/sink output current
- Desaturation detection
- Miller clamping
- Soft turn-off during fault
- Fault automatic reset
- 80ns (Typ.) propagation delay
- 150kV/us (Min.) common mode transient immunity (CMTI)
- Input side supply range from 3V to 18V
- Output side supply range from 14 V to 40 V
- Pin to pin compatible to optocoupler isolated IGBT gate drivers
- SOP16W package with >8.0mm creepage and clearance
- Operating temperature: -40°C to +125°C
- Safety certifications:
  - 5kV<sub>RMS</sub> isolation for 1 minute per UL 1577
  - CQC certification per GB4943.1-2011
  - DIN V VDE 0884-11 (Planned)

### APPLICATION

- AC and brushless DC motor drives
- Renewable energy inverters
- Industrial power supplies

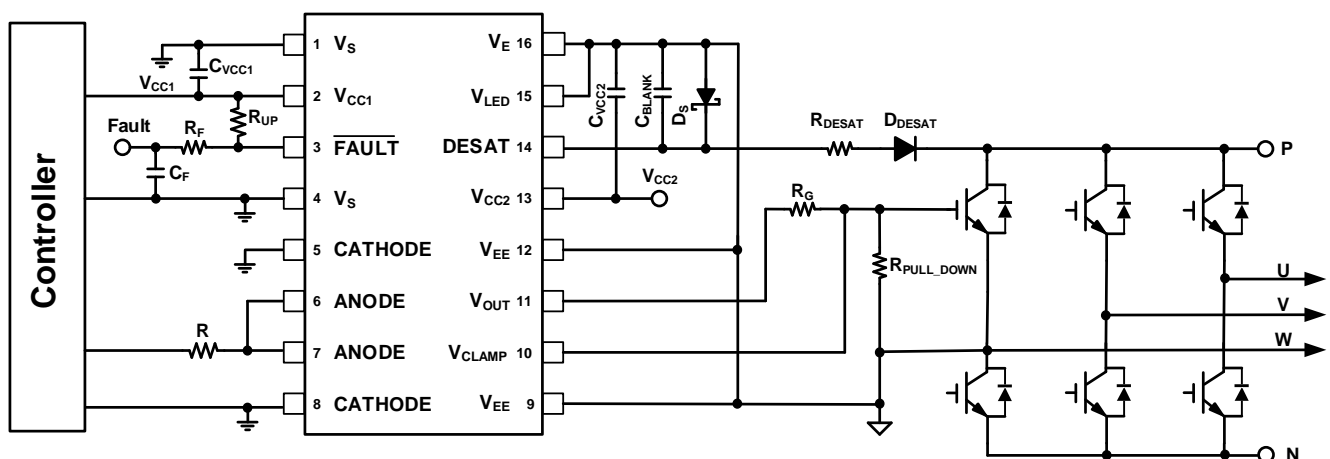


Figure 1. SLMi333 Application Circuit to Driver IGBT

**Table of Contents**

General Description .....	1
Features .....	1
Application .....	1
PIN Configuration .....	3
PIN Description .....	3
Functional Block Diagram .....	4
Ordering Information .....	5
Absolute Maximum Ratings .....	6
Recommended Operation Conditions .....	6
ESD Ratings .....	6
Thermal Information <sup>1</sup> .....	6
Package Specifications .....	7
Insulation Specifications .....	7
Safety Related Certifications .....	8
Safety Limiting Values .....	8
Electrical Characteristics (DC) .....	9
Switching Characteristics (AC) .....	11
Parameter Measurement Information .....	12
Propagation Delay, Rise Time and Fall Time .....	12
CMTI Testing .....	12
Feature Description .....	13
Desaturation Detection .....	13
Fault Sensing .....	13
Miller Clamp .....	14
Under Voltage Lockout .....	14
Layout .....	14
Package Case Outlines .....	15
Revision History .....	16

**PIN CONFIGURATION**

Package	Pin Configuration (Top View)
SOP16W	

**PIN DESCRIPTION**

No.	Pin	Description
1	$V_S$	Input ground
2	$V_{CC1}$	Positive Input supply voltage
3	$\overline{FAULT}$	Fault output. Open drain and active low.
4	$V_S$	Input ground
5	CATHODE	Cathode
6	ANODE	Anode
7	ANODE	Anode
8	CATHODE	Cathode
9	$V_{EE}$	Negative output supply voltage
10	$V_{CLAMP}$	Miller clamp
11	$V_{OUT}$	Gate drive voltage output
12	$V_{EE}$	Negative output supply voltage
13	$V_{CC2}$	Positive output supply voltage
14	DESAT	Desaturation voltage input. Connect to $V_E$ if this pin is not in use.
15	$V_{LED}$	For internal test only. Suggest to connect it to $V_{EE}$
16	$V_E$	Common (IGBT emitter) output supply voltage

**FUNCTIONAL BLOCK DIAGRAM**

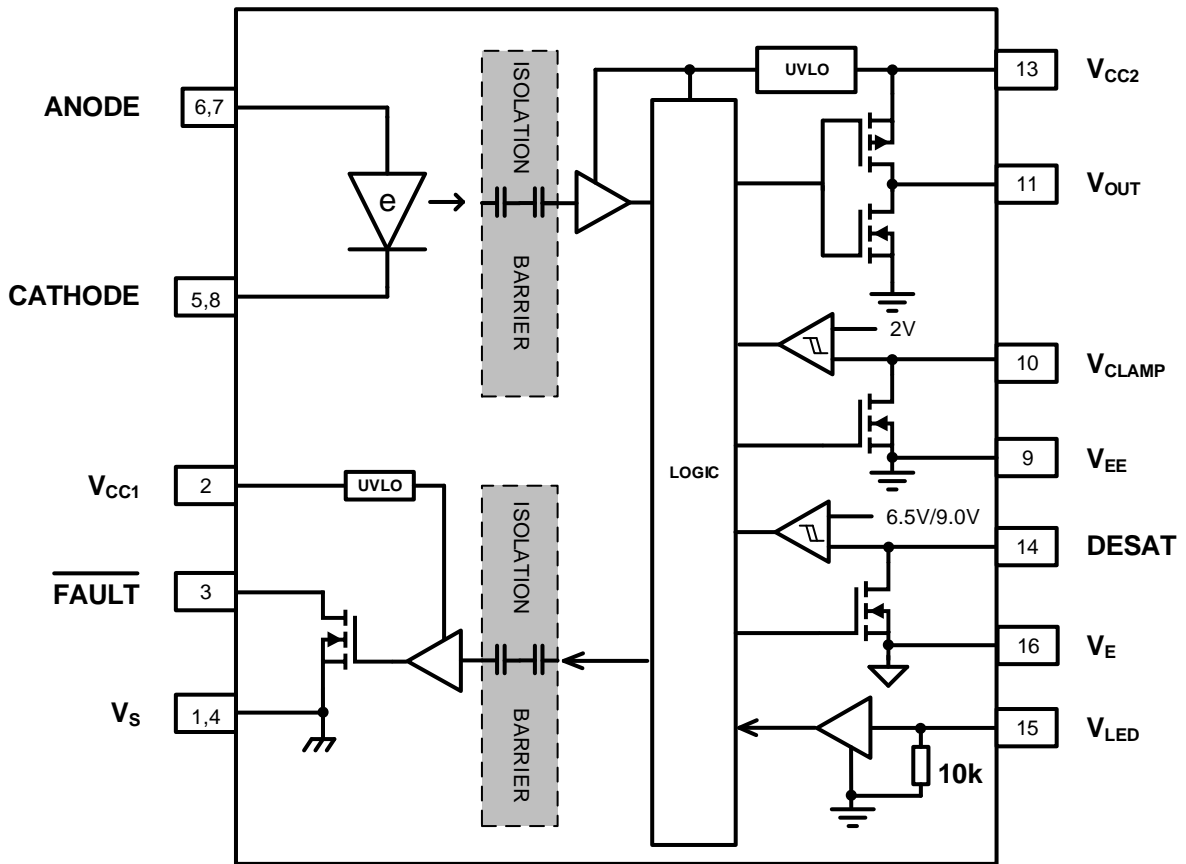


Figure 2. SLMi333 Block Diagram

---

**ORDERING INFORMATION**

<b>Order Part No.</b>	<b>DESAT Threshold</b>	<b>Package</b>	<b>QTY</b>
SLMi333CG-DG	6.5V	SOP16W, Pb-Free	1500/Reel
SLMi333HCG-DG	9.0V	SOP16W, Pb-Free	1500/Reel

---

**ABSOLUTE MAXIMUM RATINGS**

Symbol	Definition	Min	Max	Units
$I_{F(AVG)}$	Average Input Current		25	mA
$V_R$	Reverse Input Voltage		30	V
$V_{CC1} - V_S$	Input Side Supply Voltage	-0.5	20	V
$V_{CC2} - V_{EE}$	Output Supply Voltage	-0.5	45	V
$V_E - V_{EE}$	Negative Output Supply Voltage	-0.5	20	V
$V_{CC2} - V_E$	Positive Output Supply Voltage	-0.5	$45 - (V_E - V_{EE})$	V
$V_{DESAT}$	DESAT Voltage	$V_E - 0.5$	$\text{Min}(V_E + 20, V_{CC2})$	V
$V_{CLAMP} - V_{EE}$	Miller Clamping Voltage	-0.5	45	V
$V_{FAULT} - V_S$	Fault pin Voltage	-0.5	20	V
$V_{OUT}$	$V_{OUT}$ pin Voltage	$V_{EE}$	$V_{CC2}$	V
$T_J$	Junction Temperature	-40	150	°C
$T_S$	Storage Temperature	-55	150	

**RECOMMENDED OPERATION CONDITIONS**

Symbol	Definition	Min	Max	Units
$V_{CC1} - V_S$	Input Side Supply Voltage	3	18	V
$V_{CC2} - V_{EE}$	Output Supply Voltage	14	40	V
$V_E - V_{EE}$	Negative Output Supply Voltage	0	15	V
$V_{CC2} - V_E$	Positive Output Supply Voltage	14	$40 - (V_E - V_{EE})$	V
$I_F(ON)$	Input Diode Forward Current (Diode "ON")	7	16	mA
$V_F(OFF)$	Anode Voltage - Cathode Voltage (Diode "OFF")	-30	0.9	V
$T_J$	Junction Temperature	-40	150	°C
$T_A$	Ambient Temperature	-40	125	°C

**ESD RATINGS**

Symbol	Definition	Value	Units
$V_{ESD}$	HBM	±3000	V
	CDM	±1500	V

**THERMAL INFORMATION<sup>1</sup>**

Symbol	Definition	Value	Unit
$R_{\theta JA}$	Junction to ambient thermal resistance	100	°C/W
$R_{\theta JC(TOP)}$	Junction to case (top) thermal resistance	40	°C/W

Note1: Standard JESD51-3 low effective thermal conductivity test board.

**PACKAGE SPECIFICATIONS**

Symbol	Definition	Min	Typ	Max	Units
R <sub>IO</sub>	Resistance (Input Side to Output Side)		10 <sup>12</sup>		Ω
C <sub>IO</sub>	Capacitance (Input Side to Output Side)		1.6		pF
C <sub>IN</sub>	Input Capacitance		30		pF

**INSULATION SPECIFICATIONS**

Symbol	Definition	Test Condition	Value	Units
CLR	External clearance	Shortest terminal to terminal distance through air	8.0	mm
CPG	External creepage	Shortest terminal to terminal distance across the package surface	8.0	mm
DTI	Distance through the insulation	Minimum internal gap	>16	um
CTI	Comparative tracking index	DIN EN 60112 (VDE 0303-11), IEC 60112	>600	V
	Material Group		I	
	Overvoltage category	Rated mains voltages ≤600Vrms	I-IV	
		Rated mains voltages ≤1000Vrms	I-III	
<b>DIN V VDE 0884-11<sup>(1)</sup></b>				
V <sub>IORM</sub>	Maximum repetitive peak isolation voltage		1414	V <sub>PK</sub>
V <sub>IOWM</sub>	Maximum isolation working voltage		1000	V <sub>RMS</sub>
V <sub>IOTM</sub>	Maximum transient isolation voltage	60s	8000	V <sub>PK</sub>
V <sub>IOSM</sub>	Maximum surge isolation voltage	Test method per IEC62368, 1.2/50us waveform, V <sub>TEST</sub> =1.6 x V <sub>IOSM</sub>	6250	V <sub>PK</sub>
q <sub>pd</sub>	Apparent charge	Method b2: V <sub>pd(m)</sub> =1.875 x V <sub>IORM</sub> , t <sub>m</sub> =1 s	≤5	pC
	Climatic Category		40/125/21	
	Pollution Degree		2	
<b>UL1577</b>				
V <sub>ISO</sub>	Withstand Isolation Voltage	V <sub>TEST</sub> =V <sub>ISO</sub> , t=60s (qualification), V <sub>TEST</sub> =1.2 x V <sub>ISO</sub> , t=1s (100% production)	5000	V <sub>RMS</sub>

Note 1: Certification planned

**SAFETY RELATED CERTIFICATIONS**

VDE (planned)	UL	CQC
DIN V VDE 0884011-11: 2017-01	UL 1577 component recognition program	Certified according to GB4943.1-2011
Reinforced Insulation	Single protection, 5000 V <sub>RMS</sub>	Reinforced insulation, Altitude ≤ 5000m, Tropical climate, 400 V <sub>RMS</sub> maximum working voltage
Certification Planned	File number: E521801	File number: CQC21001324484

**SAFETY LIMITING VALUES**

Symbol	Parameter	Condition	Value	Unit
I <sub>s</sub>	Safety input, output, or supply current	R <sub>θJA</sub> =100°C/W, V <sub>CC2</sub> -V <sub>EE</sub> = 15V, T <sub>J</sub> =150°C, T <sub>A</sub> =25°C	83.3	mA
		R <sub>θJA</sub> =100°C/W, V <sub>CC2</sub> -V <sub>EE</sub> = 30V, T <sub>J</sub> =150°C, T <sub>A</sub> =25°C	41.6	mA
P <sub>s</sub>	Safety input, output, or total power	R <sub>θJA</sub> =100°C/W, T <sub>J</sub> =150°C, T <sub>A</sub> =25°C	1250	mW
T <sub>s</sub>	Maximum safety temperature		150	°C

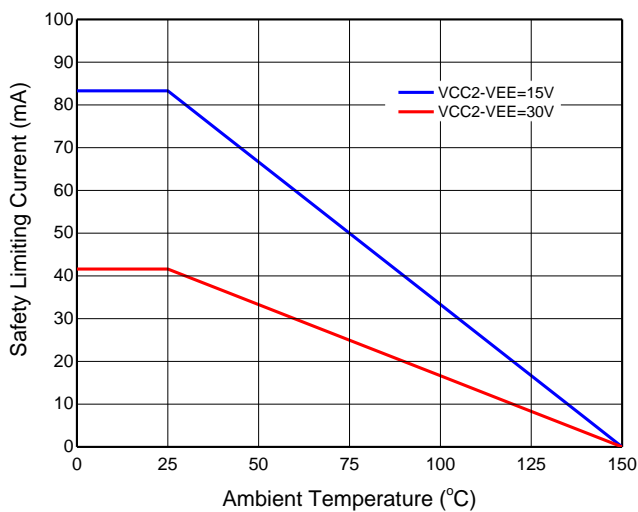


Figure 3. Thermal Derating Curve for Limiting Current per VDE

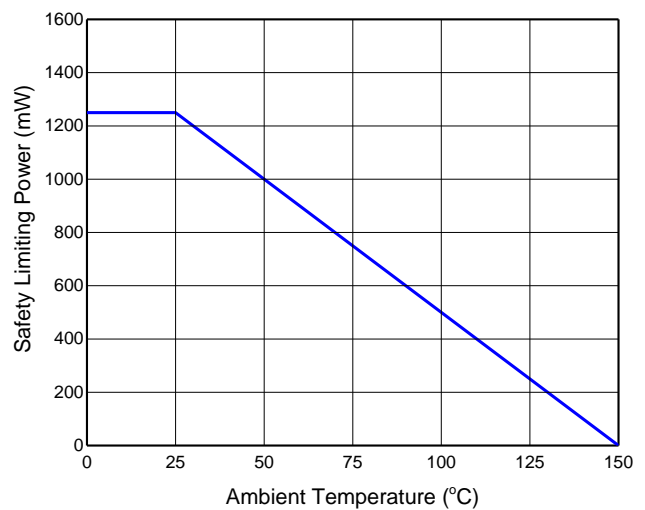


Figure 4. Thermal Derating Curve for Limiting Power per VDE



**ELECTRICAL CHARACTERISTICS (DC)**

All typical values at  $V_{CC2}-V_{EE} = 15V$ ,  $V_{EE} -V_{EE} = 0V$  and  $T_A = 25^{\circ}C$  unless otherwise specified. All min and max specifications are at recommended operating conditions and  $T_A = -40^{\circ}C$  to  $125^{\circ}C$ .

Symbol	Parameter	Condition	Min	Typ	Max	Unit
<b>INPUT</b>						
$I_{FLH}$	Input Forward Threshold Current Low to High			2.2		mA
$V_F$	Input Forward Voltage	$I_F=10mA$		2.2		V
$\Delta V_F/\Delta T$	Temp Coefficient of Input Forward Voltage	$I_F=10mA$		0.5		mV/ $^{\circ}C$
$V_R$	Input Reverse Breakdown Voltage	$I_R=10\mu A$	30			V
$V_{CLAMP}$	Clamp Pin Threshold Voltage			2.0		V
$V_{DESAT}$	DESAT Threshold	Without suffix H		6.5		V
		With suffix H		9		V
$I_{CHG}$	DESAT Blank Charging Current	$V_{DESAT}=2V$		0.22		mA
$I_{DSCHG}$	DESAT Blank Discharging Current	$V_{DESAT}=7V$		33		mA
$V_{FT\_LOW}$	FAULT Output Low Voltage	$I_{FAULT}=1mA$ , $V_{CC1}=5V$		0.1		V
$I_{FT\_LK}$	FAULT Pin Leakage Current	$V_{FAULT}=5V$ , $V_{CC1}=5V$		0.1		$\mu A$
<b>OUTPUT</b>						
$I_{OH}$	High Level Peak Output Current	$I_F=10mA$ , $C_{VCC2}=10\mu F$ , $C_{LOAD}=220nF$		2.5		A
$I_{OL}$	Low Level Peak Output Current	$I_F=10mA$ , $C_{VCC2}=10\mu F$ , $C_{LOAD}=220nF$		2.5		A
$I_{CL}$	Clamp Low Sink Current			1.67		A
$I_{OLF}$	Low Level Output Current During Fault Condition			0.19		A
$V_{OH}$	High Level Output Voltage	$I_F=10mA$ , $I_O=-20mA$		60		mV
$V_{OL}$	Low Level Output Voltage	$V_F=0V$ , $I_O=20mA$		30		mV
<b>UNDER VOLTAGE LOCKOUT</b>						
$V_{UVLO1\_R}$	Under Voltage Lockout Rising on $V_{CC1}$			2.7		V
$V_{UVLO1\_F}$	Under Voltage Lockout Falling on $V_{CC1}$			2.5		V

Symbol	Parameter	Condition	Min	Typ	Max	Unit
V <sub>UVLO1_HYS</sub>	Under Voltage Lockout Hysteresis on V <sub>CC1</sub>			0.2		V
V <sub>UVLO2_R</sub>	Under Voltage Lockout Rising on V <sub>CC2</sub>		10.5	11.6	12.5	V
V <sub>UVLO2_F</sub>	Under Voltage Lockout Falling on V <sub>CC2</sub>		9.2	10.3	11.1	V
V <sub>UVLO2_HYS</sub>	Under Voltage Lockout Hysteresis on V <sub>CC2</sub>			1.3		V

**SWITCHING CHARACTERISTICS (AC)**

All typical values at  $V_{CC2}-V_{EE} = 15V$ ,  $V_{EE} -V_{EE} = 0V$  and  $T_A = 25^{\circ}C$  unless otherwise specified. All min and max specifications are at recommended operating conditions and  $T_A = -40^{\circ}C$  to  $125^{\circ}C$ .

Symbol	Parameter	Condition	Min	Typ	Max	Unit
$t_{PLH}$	Propagation delay, Low to High	$C_{LOAD}=1nF$ , $f_{sw}=20kHz$ , (50% Duty Cycle), $V_{CC2}=15V$		80	120	ns
$t_{PHL}$	Propagation delay, High to Low			80	120	ns
$t_r$	Turn on rise time				28	ns
$t_f$	Turn off fall time				25	ns
$t_{PWD}$	Pulse Width Distortion				35	ns
$t_{UVLO\_REC}$	UVLO Recovery Delay	$V_{CC2}$ Rising from 0V to 15V			30	us
$t_{DESAT(90\%)}$	DESAT to 90% $V_{OUT}$ Delay	$C_{BLANK}=100pF$ , $C_{LOAD}=10nF$		0.15		us
$t_{DESAT(10\%)}$	DESAT to 10% $V_{OUT}$ Delay			0.5		us
$t_{DESAT(MUTE)}$	DESAT Input Mute				23	us
$t_{DESAT(LOW)}$	DESAT to DESAT Low Propagation Delay				0.2	us
$t_{DESAT(FAULT)}$	DESAT to FAULT Low Delay				0.3	us
$t_{RESET(FAULT)}$	RESET to High Level FAULT Signal Delay				1	us
$CMTI_H$	Output High Level Common Mode Transient Immunity	$I_F=10mA$ , $V_{CM}=1000V$ , $V_{CC2}=15V$ , $T_A=25^{\circ}C$	150			kV/us
$CMTI_L$	Output Low Level Common Mode Transient Immunity	$V_F=0V$ , $V_{CM}=1000V$ , $V_{CC2}= 15V$ , $T_A=25^{\circ}C$	150			kV/us

PARAMETER MEASUREMENT INFORMATION

Propagation Delay, Rise Time and Fall Time

Figure 5 shows the circuit used to measure the rise ( $t_r$ ) and fall ( $t_f$ ) times, and the propagation delays  $t_{PDH}$  and  $t_{PDL}$ .

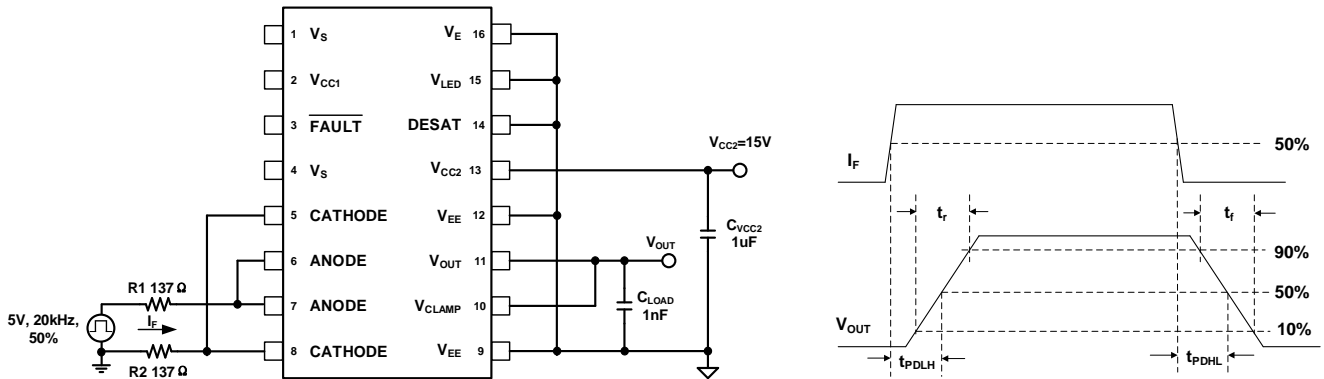


Figure 5. Propagation Delay, Rise Time and Fall Time

CMTI Testing

Figure 6 is the simplified diagram of the CMTI testing for  $V_{OUT}$ . Common mode voltage is set to 1000V. The test is performed with  $V_{OUT}$  is High and  $V_{OUT}$  is Low.

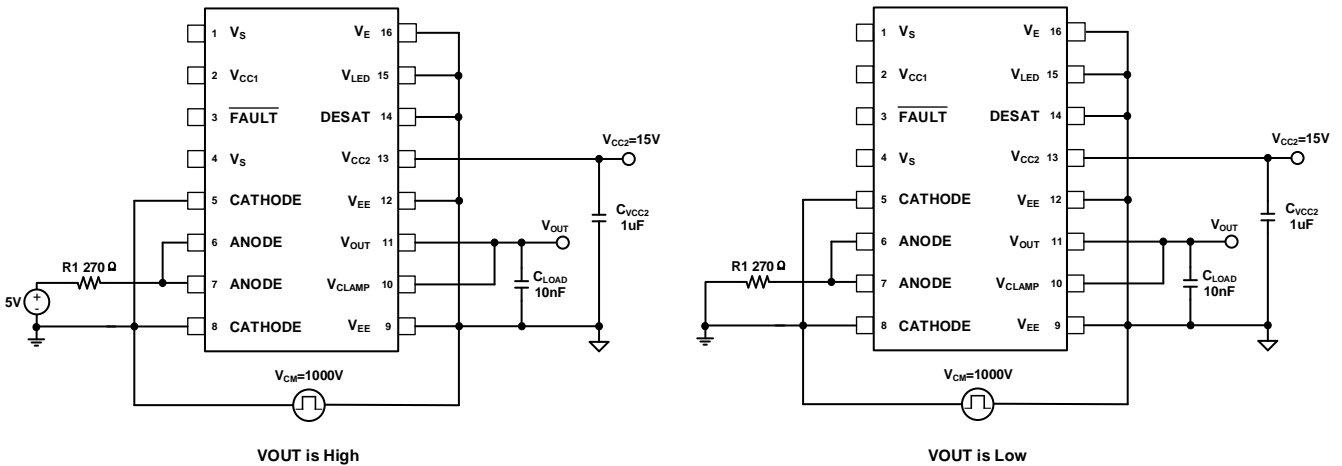


Figure 6. CMTI Test of  $V_{OUT}$

Figure 7 is the simplified diagram of the CMTI testing for FAULT. Common mode voltage is set to 1000V. The test is performed with FAULT is High and FAULT is Low.

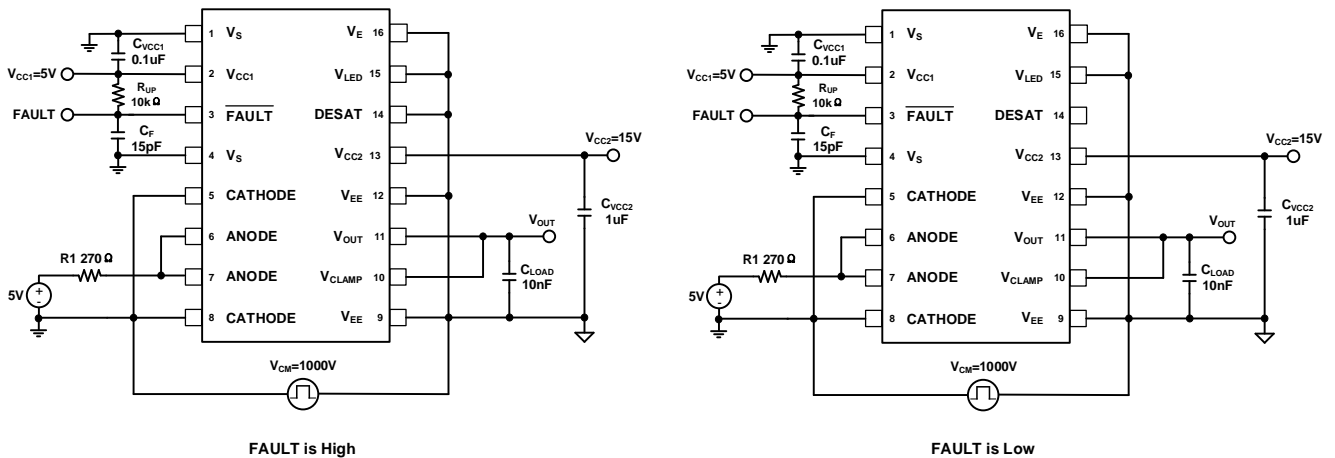


Figure 7. CMTI Test of FAULT

**FEATURE DESCRIPTION**

The SLMi333 is an advanced opto-compatible single channel isolated gate driver with rich protection features, such as desaturation detection, miller clamp, isolated fault sensing and under voltage lockout.

**Desaturation Detection**

The DESAT pin monitors the IGBT  $V_{CE}$  voltage. When the voltage on the DESAT pin exceeds DESAT threshold (6.5V for without suffix H and 9V for with suffix H) while the IGBT is on, a weak pull down circuit ( $I_{OLF}$ ) in the output driver stage will turn on to ramp down the  $V_{OUT}$  slowly and “softly” turn off the IGBT. This “softly” turn-off feature prevents large di/dt which induces high voltage spikes to damage the IGBT. The  $V_{CLAMP}$  pin should be connected to  $V_{OUT}$  pin in order to use the soft turn-off feature.

A blank time is needed in the DESAT detection circuit following the turn on of the IGTB to allow the collector voltage to fall below the DESAT threshold. The blank time is controlled by the internal DESAT blank charge current, the DESAT voltage threshold, and the external DESAT capacitor. Using the following equation to calculate the blank time.

$$t_{BLANK} = \frac{C_{BLANK} \times V_{DESAT}}{I_{CHG}}$$

Here:

- $t_{BLANK}$ : Blank time
- $C_{BLANK}$ : External DESAT capacitor
- $V_{DESAT}$ : DESAT voltage threshold
- $I_{CHG}$ : DESAT blank charging current

During the IGBT turn on, high negative spike voltage occurs on the collection of the IGBT due to parasitic parameters and this negative spike may damage the DESAT pin. In order to protect the DESAT pin in such case, a resistor,  $R_{DESAT}$ , is needed to in series with the DESAT diode. The value of the  $R_{DESAT}$  depends on the different application, but generally a 100Ω resistor is recommended.

Further protection is possible through an optional Schottky diode, whose low forward voltage assures clamping of the DESAT input to  $V_E$  potential at low-voltage levels.

**Fault Sensing**

The SLMi333 integrates isolated fault indication. When the DESAT has monitored a fault on the IGTB, it also activates an internal feedback channel which pull low the FAULT pin in the input side to inform the fault condition to a micro-controller. In the meanwhile, all input control signals will be ignored during the fixed mute time to allow the driver to completely soft shutdown the IGBT.

The SLMi333 will reset the FAULT pin automatically after the fixed mute time,  $t_{DESAT(MUTE)}$ . After the fixed mute time, the  $V_{OUT}$  is controlled by the input control signal.

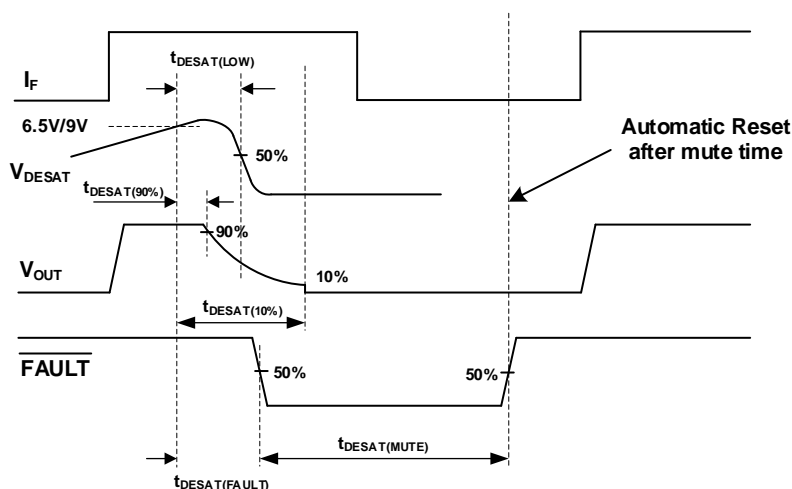


Figure 8. Fault Timing with Automatic Reset

### Miller Clamp

A Miller clamp circuit integrates in the SLMi333 which allows the control of the Miller current during a high  $dV/dt$  situation and can eliminate the use of a negative supply voltage in most of the applications. During turn off, the gate voltage is monitored through the  $V_{CLAMP}$  pin and the clamp circuit is activated when the voltage on the  $V_{CLAMP}$  pin goes below the clamp voltage threshold (2V typical, relative to  $V_{EE}$ ). A clamp low sink current is generated when the clamp circuit is activated. The clamp circuit is disabled when the input on signal is triggered again.

### Under Voltage Lockout

The under voltage lockout (UVLO) feature on the  $V_{CC2}$  is designed to prevent the application of insufficient gate voltage to the IGBT by forcing the SLMi333 output low. When the voltage on the  $V_{CC2}$  is lower than the under voltage lockout falling threshold on  $V_{CC2}$ , the output is clamp to  $V_{EE}$ . When the voltage on the  $V_{CC2}$  is higher than the under voltage lockout rising threshold on  $V_{CC2}$ , the output is allowed to turn on according to the input signal if no other faults happens.

The under voltage lockout feature on the  $V_{CC1}$  only effects the  $\overline{FAULT}$  pin function. If the voltage on the  $V_{CC1}$  is below the UVLO threshold, the  $\overline{FAULT}$  can't be pulled low.

The Table 1 shows the relationship between  $I_F$ , UVLO, DESAT function, fault and  $V_{OUT}$ .

Table 1. Relationship between Input and Output

$I_F$	UVLO on $V_{CC2}$	DESAT Function	FAULT	$V_{out}$
ON	Active	Not active	High	Low
ON	Not active	Active with DESAT fault	Low	Low
ON	Not active	Active without DESAT fault	High	High
OFF	Active	Not active	High	Low
OFF	Not active	Not active	High	Low

### Layout

In order to achieve optimum performance for the SLMi333, some suggestions on the PCB layout.

Component placement:

- Low ESR capacitors must be connected close to the device between the  $V_{CC2}$  and  $V_{EE}$  pins to bypass noise and to support high peak currents when turning on the external power transistor.
- To avoid large negative transients on the  $V_{EE}$  pins connected to the switch node, the parasitic inductances between the source of the top transistor and the drain of the bottom transistor must be minimized.

Grounding considerations:

- Limiting the high peak currents trace loop that charge and discharge the transistor gates to a minimal physical area is essential. Small trace loop decreases the loop inductance and minimizes noise on the gate terminals of the transistors. The gate driver must be placed as close as possible to the transistors.

High voltage considerations:

- To ensure isolation performance between the primary and secondary side, avoid placing any PCB traces or copper below the driver device. A PCB cutout or groove is recommended in order to prevent contamination that may compromise the isolation performance.

**PACKAGE CASE OUTLINES**

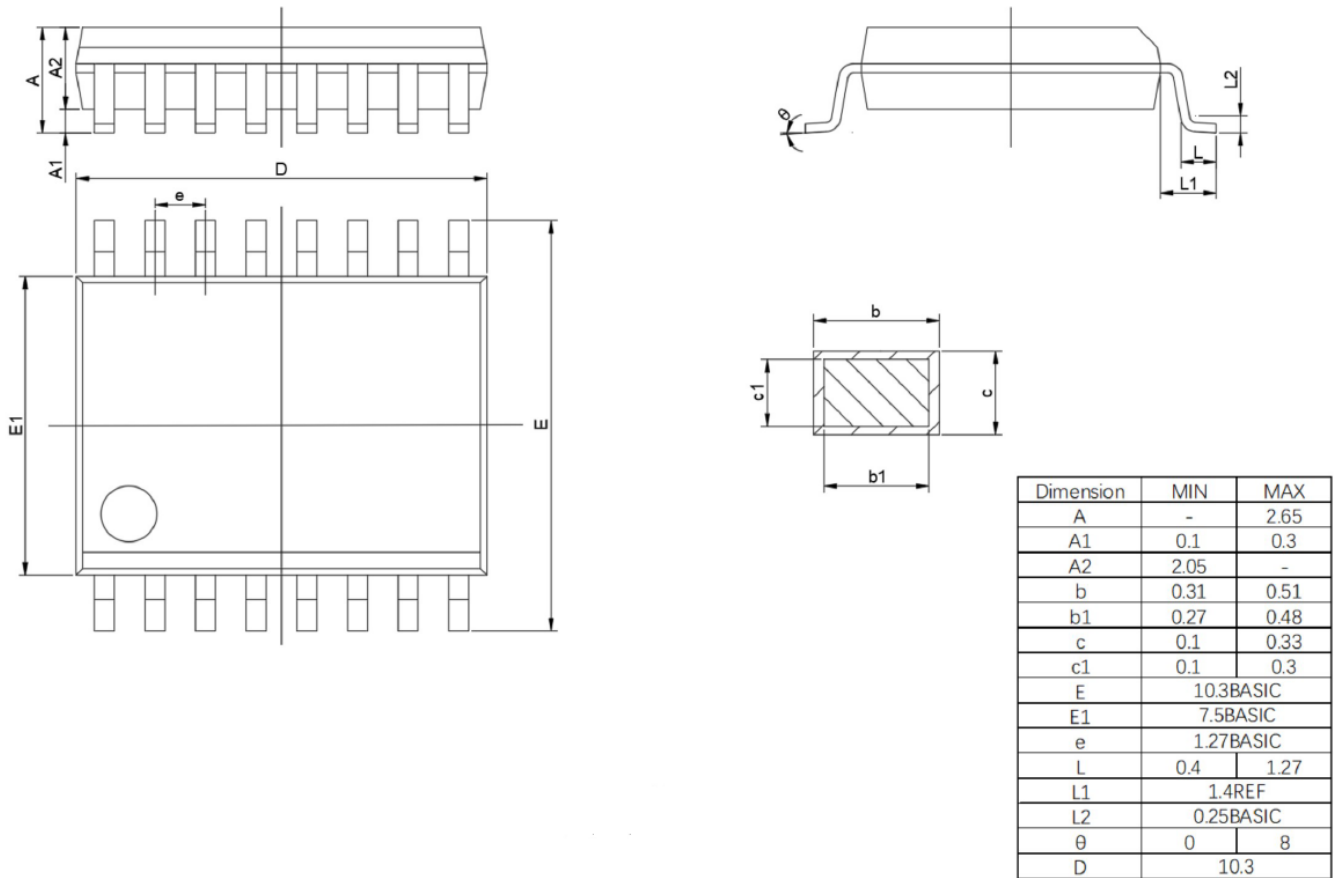


Figure 9. SOP16W Package Outline Dimensions

## REVISION HISTORY

Note: page numbers for previous revisions may differ from page numbers in current version

Page or Item	Subjects (major changes since previous revision)
<b>Rev 1.0 datasheet: Mar/2022</b>	
Whole document	Initial release
<b>Rev 1.1 datasheet: Sep/2022</b>	
Page 6	Add thermal information
Page 7	Add the test condition in the Insulation specifications
Page 8	Add safety related certifications and safety limiting values



## X-ON Electronics

Largest Supplier of Electrical and Electronic Components

*Click to view similar products for [Gate Drivers](#) category:*

*Click to view products by [Sillumin](#) manufacturer:*

Other Similar products are found below :

[56956](#) [57.404.7355.5](#) [LT4936](#) [57.904.0755.0](#) [5811-0902](#) [0131700000](#) [LTP70N06](#) [LVP640](#) [5J0-1000LG-SIL](#) [LY2-US-AC240](#) [LY3-UA-DC24](#) [LZNQ2-US-DC12](#) [LZP40N10](#) [60100564](#) [60249-1-CUT-TAPE](#) [0134220000](#) [6035](#) [60713816](#) [61161-90](#) [6131-204-23149P](#) [6131-205-17149P](#) [6131-209-15149P](#) [6131-218-17149P](#) [6131-220-21149P](#) [6131-260-2358P](#) [6131-265-11149P](#) [CS1HCPU63](#) [6150-5001](#) [CSB4](#) [CSK-38-60006](#) [CSK-38-60008](#) [621A](#) [622-4053LF](#) [6273](#) [M40N08MA-H](#) [M55155/29XH06](#) [64-807](#) [65-1930-6](#) [CV500ISB02](#) [M83723/88Y1407N](#) [CWD012-2](#) [CWD03-3](#) [CX3225SB16934D0PPSC2](#) [CX5032GB10000D0PPS02](#) [687-772NF1](#) [70.140.1653](#) [70.200.0653.0](#) [703001B01F060](#) [70-3601](#) [706006D02F0601](#)