

SLIK-73

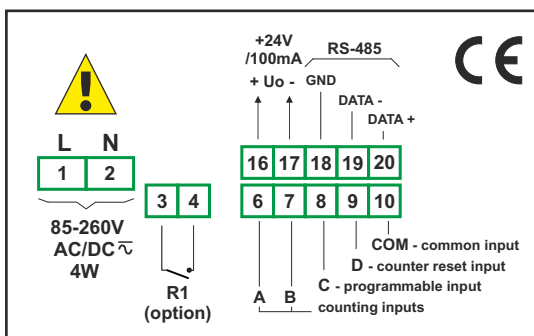
- ▣ universal counter with batching function
- ▣ 2 pulse counting inputs
- ▣ 1 programmable function input
- ▣ 1 counter reset input
- ▣ 1 relay or OC output (option)



The **SLIK-73** is a cross between the existing SLI-73 and SLK-73. The device has two independent counting inputs that can operate in various configurations. A programmable function input enables changing the operating mode of the counting inputs (up-down and down-up) or stopping the count. The **SLIK-73** counter features an independent reset input. It has 0 or 1 relay (or OC) output with programmable activation threshold, which can be used to control external equipment.

- digital, anti-disturbance filter,
- 4 counter reset sources,
- relay operation time programmable to 99 min.,
- programmable multiplier, divider and offset,
- programmable decimal point position,
- ACCESS option - easy threshold modification,
- RS-485 interface,
- available with AC and DC power supply versions.

Exemplary pin assignment



Ordering

SLIK-73-15XX-1-X-XX1

options:

- 00 : no options
- 01 : IP 65 frame
- 08 : operating temp. -20°C ÷ +50°C

power supply:

- 3 : 24V AC/DC
- 4 : 85V - 260V AC/DC

number of outputs:

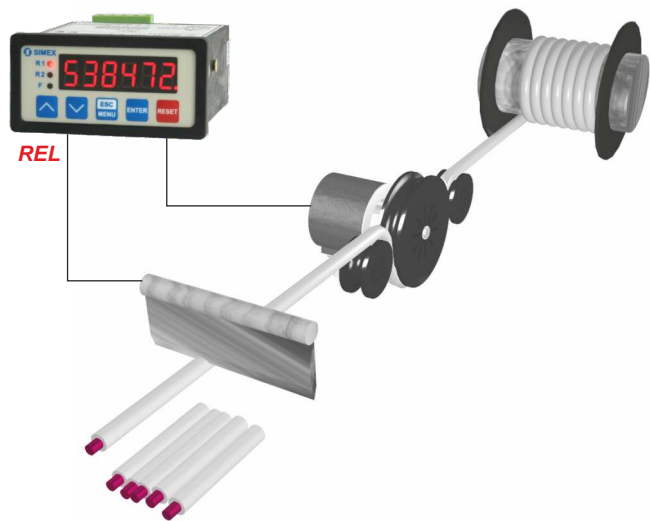
0
1

type of outputs:

- 0 : no output
- 1 : REL
- 2 : OC

Typical applications

1. Counting current amount of manufactured items plus control of the production line.



Technical data

Power supply: 19V ÷ 50V DC; 16V ÷ 35V AC or 85 ÷ 260V AC/DC, all separated
Power consumption: for 85 ÷ 260V AC/DC and 16V ÷ 35V AC power supply: max. 4,5 VA; 19V ÷ 50V DC power supply: max. 4,5 W

Display: LED, red, 6 x 9 mm high

Inputs: pulse, galvanically insulated

- A and B inputs - counting (down-up and up-down or quadrature)
- C input - programmable
- D input - counter reset
- COM - common

Input levels: low: 0 V ÷ 1 V
high: 10 V ÷ 30 V (max. 12 mA for 24V)

Max. input frequency: electronic: 10 kHz
contact: max. 90 Hz (adjustable filter)

Displayed values range: from -99999 to 999999

Output: 0 or 1 relay 1A/250V AC (cosφ=1) or the OC 30mA/30VDC/100mW

Transducer power supply output: 24V DC +5%, -10% / max. 100 mA, stabilized, not insulated from communication interface

Communication interface: RS-485, 8N1 and 8N2, 1200 bit/s ÷ 115200 bit/s, Modbus RTU, not galvanically insulated from transducer power supply output

Data memory: non-volatile memory, EEPROM type

Operating temperature: 0°C ÷ +50°C (standard), -20°C ÷ +50°C (option)

Storage temperature: -10°C ÷ +70°C (standard), -20°C ÷ +70°C (with option 08)

Protection class: IP 65 (front), available additional frame IP 65 for panel cut-out sealing; IP 20 (case and connection clips)

Case: board

Case material: NORYL - GFN2S E1

Case dimensions: 72 x 36 x 97 mm

Panel cut-out dimensions: 66,5 x 32,5 mm

Installation depth: min. 102 mm

Board thickness: max. 5 mm

X-ON Electronics

Largest Supplier of Electrical and Electronic Components

Click to view similar products for [Counters & Tachometers](#) category:

Click to view products by [Simex](#) manufacturer:

Other Similar products are found below :

[LC2H-FE-2K-N](#) [H7CN-XLN DC12-48](#) [LC24-F-N](#) [H7CXAWD1NDC1224AC24](#) [H7ER-NV1-H](#) [H7CX-A114S-N AC100-240](#) [H7CX-AWSD-N-DC12-24](#) [H7CX-AU-N AC100-240](#) [GPMZC-SET](#) [CX6S-1P2F](#) [CX6S-1P4F](#) [CX6S-2P2F](#) [CX6S-2P4F](#) [H127.010A01H](#) [H5KLR-11 100-240V AC/DC](#) [H7CX-AUD1-N](#) [H7CX-AW-N](#) [3.550.401.075](#) [3.550.401.351](#) [LC2H-C-2K-N](#) [LC2H-C-30-N](#) [LC2H-F-DL-2KK](#) [LC4H-R4-AC240VS](#) [LC4H-R6-AC240V](#) [1.150.510.012.550](#) [1.150.510.054.550](#) [1.150.510.056.550](#) [6.520.012.300](#) [6.560.010.300](#) [SLE-73-1400-1-4-01](#) [SLIK-94-1521-1-3-001](#) [SLN-94-1421-1-3](#) [SPI-73-1411-1-3-011](#) [CT6S-1P4](#) [Y-50](#) [LC4H-R4-AC24V](#) [LC4H-R4-DC24V](#) [CT6S-2P4](#) [LC2H-F-DL-2KK-B](#) [LC2H-FE-DL-2KK-B](#) [LC2H-FE-FV-30](#) [H127.010A01G](#) [H5KLR-8B 12-48 AC/DC](#) [H7CX-A11-N](#) [H7CX-AD-N](#) [H7CX-AU-N](#) [H7ER-NV1](#) [H8DA 12-48V AC/DC](#) [87622062](#) [99776901](#)