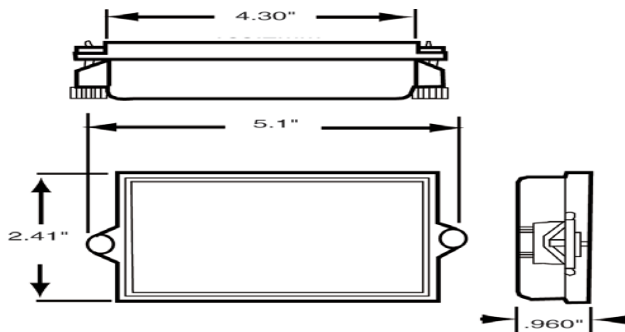


1/8 DIN NEMA 4 Removable Cover

- Protects 1/8 DIN indicators and controllers
- Dust tight and water tight to NEMA 4 standards
- Removable front cover allows access to programming buttons or scaling potentiometers



Dimensions



Specifications	
Lens Material	Clear 94-V-0 UL-rated polycarbonate with UV inhibitor
Gasket Material	Closed Cell Neoprene
Bezel Material	Steel
Bezel Finish	Black Polyurethane
Bezel Dimensions	4.3" x 2.41" x 0.28" (109.2mm x 61.2mm x 7.1mm)
Overall Dimensions	4.3" x 2.41" x 0.96" (109.2mm x 61.2mm x 24.4mm)
Panel Cutout	3.66" x 1.79" (93mm x 45.5mm)

Ordering Information

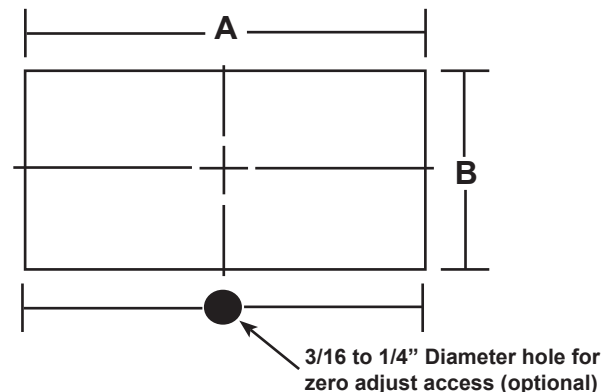
Catalog No.	45003
--------------------	--------------

Bezel Kits

This bezel kit provides an attractive appearance for Wide-View analog panel meters. Die cast with a black satin finish, bezel kits are designed for behind panel mounting and can accommodate a panel thickness from 1/8" to 3/16". All required mounting hardware is included.



Panel Cutout



Ordering Information

Size	Panel Cutout		Catalog No.
	A	B	
3-1/2"	3.406"	2.094"	01253Z
4-1/2"	4.812"	2.750"	01123

X-ON Electronics

Largest Supplier of Electrical and Electronic Components

Click to view similar products for [Analogue Panel Meters](#) category:

Click to view products by [Simpson](#) manufacturer:

Other Similar products are found below :

[16000](#) [16025](#) [02360](#) [085000](#) [12](#) [10018](#) [10310](#) [81683-00](#) [APM-M2-MAK](#) [06713](#) [08130](#) [35139](#) [17517](#) [2602](#) [37030](#) [17753](#) [07380](#) [01253Z](#)
[01160](#) [DQN72 10V](#) [DQN72 25A](#) [DQN72 40A](#) [DQN72 60V](#) [EQN72 1,5/3A](#) [EQN72-10/20A](#) [EQN72 100V](#) [EQN72 10V](#) [EQN72 120V](#)
[EQN72-15/30A](#) [EQN72 150V](#) [EQN72 2,5/5A](#) [EQN72-25/50A](#) [EQN72 250V](#) [EQN72 4/8A](#) [EQN72 40/80A](#) [EQN72 50/100A](#) [EQN72-6/12A](#)
[EQN72 60/120A](#) [EQN72 60V](#) [15039](#) [15038](#) [88950109](#) [20017-14](#) [20028-17](#) [20035-17](#) [20116-23](#) [28103-20](#) [28104-06](#) [82450-83](#) [82453-85](#)
[85001-02](#)