

- Portable Shunts Up to 200 DC Amps
- Switchboard Shunts Up to 500 DC Amps
- Reduces High DC Current Signal into either 50 or 100 Millivolt Drop
- Accuracy $\pm 1\%$ 5 Foot Leads (0.065 Ohms) Included

Simpson's Portable and Switchboard shunts enable a panel meter to indicate higher DC currents than can be provided with a self-contained internal shunt. A typical shunt installation in series with the load and source is shown in the technical support download, under panel meter wiring instructions.

These shunts can be used with either digital or analog meters. Most digital DC Millivolt meters that Simpson manufactures can be scaled to display the actual current. Simpson can custom design any dial for the analog meters you require. Simpson manufactures two types of external shunts: Portable and Switchboard shunts.

Portable shunts are mounted in a phenolic base. This base allows the shunt to be easily installed in many locations. Portable shunts come in a 50 millivolt drop and a 100 millivolt drop. The most commonly used is the 50 millivolt unit.

Switchboard shunts mount directly onto a buss bar and have a 50 millivolt drop. They have the same quality construction as a portable shunt, but without the phenolic base.

Leads for these shunts are 5 feet long and are rated at 0.065 ohms resistance. Shunts with a 100 amp rating and below can be certified to NIST standards.



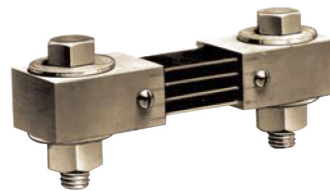
**50mV Shunts
Portable 150 amp
Catalog No. 06714**

File # E91015 

Ordering Information

| Portable 50mV Shunts | |
|----------------------|-------------|
| Range | Catalog No. |
| 1 | 06700 |
| 5 | 06703 |
| 10 | 06704 |
| 15 | 06705 |
| 25 | 06707 |
| 30 | 06708 |
| 50 | 06709 |
| 75 | 06711 |
| 100 | 06713 |
| 150 | 06714 |
| 200 | 06715 |
| 5' leads included | |

| Portable 100mV Shunts | |
|-----------------------|-------------|
| Range | Catalog No. |
| 10 | 06716 |
| 100 | 06717 |
| 5' leads included | |



**Switchboard
100 amp
Catalog No. 06500**

File # E91015 

Ordering Information

| Switchboard 50mV Shunts | |
|-------------------------|-------------|
| Range | Catalog No. |
| 100 | 06500 |
| 150 | 06503 |
| 200 | 06504 |
| 250 | 06505 |
| 300 | 06506 |
| 400 | 06507 |
| 500 | 06508 |
| 5' leads included | |

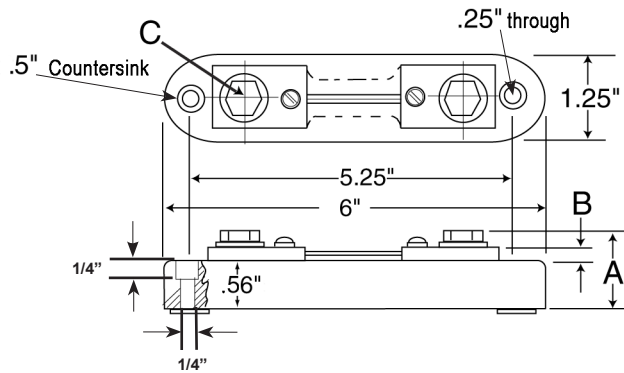
Accessories

External Portable and Switchboard Shunts

Dimension Table for External Portable Shunts

| Amps | A | B | C |
|------|-----------|------|-----------|
| 1 | 1 - 5/16" | 1/2" | 3/8" - 16 |
| 5 | 1 - 5/16" | 1/2" | 3/8" - 16 |
| 10 | 1 - 5/16" | 1/2" | 3/8" - 16 |
| 15 | 1 - 5/16" | 1/2" | 3/8" - 16 |
| 25 | 1 - 5/16" | 1/2" | 3/8" - 16 |
| 30 | 1 - 5/16" | 1/2" | 3/8" - 16 |
| 50 | 1 - 5/16" | 1/2" | 3/8" - 16 |
| 75 | 1 - 5/16" | 1/2" | 3/8" - 16 |
| 100 | 1 - 5/16" | 1/2" | 3/8" - 16 |
| 150 | 1 - 5/16" | 1/2" | 3/8" - 16 |
| 200 | 1 - 5/16" | 1/2" | 3/8" - 16 |

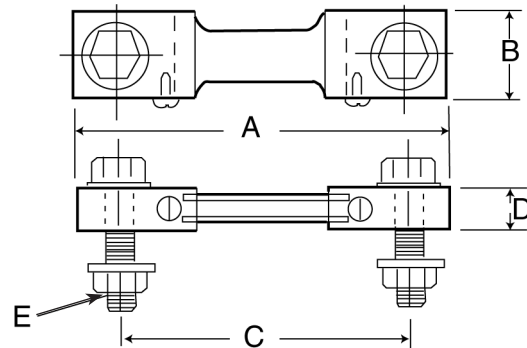
External Portable Shunts



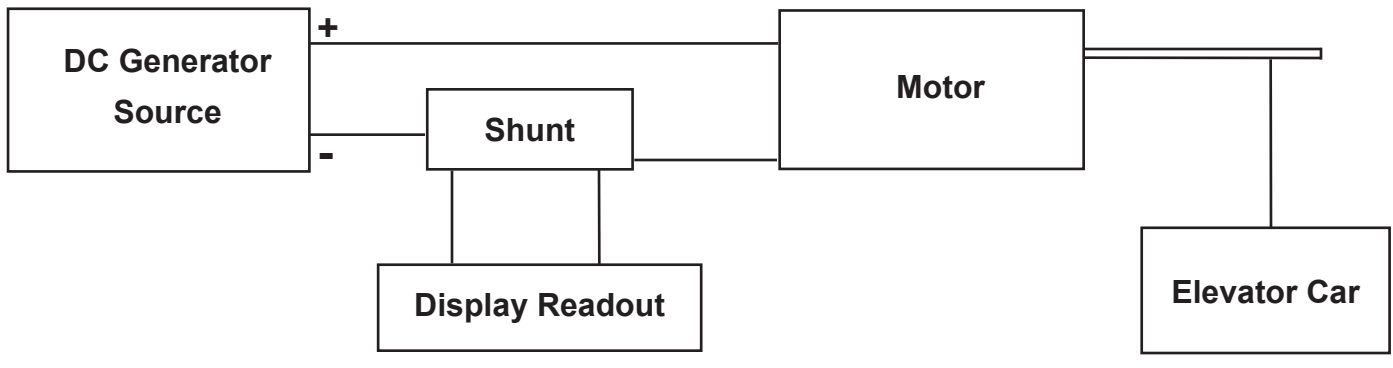
Dimension Table for Switchboard Shunts

| Amps | A | B | C | D | E |
|------|----------|----------|----------|------|------------------|
| 100 | 4 - 1/2" | 1" | 3 - 1/2" | 1/2" | 3/8"-16 x 1-1/2" |
| 150 | 4 - 1/2" | 1" | 3 - 1/2" | 1/2" | 3/8"-16 x 1-1/2" |
| 200 | 4 - 1/2" | 1" | 3 - 1/2" | 1/2" | 3/8"-16 x 1-1/2" |
| 300 | 5 - 1/2" | 1 - 1/2" | 4" | 1" | 1/2"-13 x 2" |
| 400 | 5 - 1/2" | 1 - 1/2" | 4" | 1" | 1/2"-13 x 2" |
| 500 | 5 - 1/2" | 1 - 1/2" | 4" | 1" | 1/2"-13 x 2" |

Switchboard Shunts



Typical Application



X-ON Electronics

Largest Supplier of Electrical and Electronic Components

Click to view similar products for [Analogue Panel Meters](#) category:

Click to view products by [Simpson](#) manufacturer:

Other Similar products are found below :

[16000](#) [16025](#) [02360](#) [085000](#) [12](#) [10018](#) [10310](#) [81683-00](#) [APM-M2-MAK](#) [06713](#) [08130](#) [35139](#) [17517](#) [2602](#) [37030](#) [17753](#) [07380](#) [01253Z](#)
[01160](#) [DQN72 10V](#) [DQN72 15A](#) [DQN72 25A](#) [DQN72 40A](#) [DQN72 60V](#) [EQN72 1,5/3A](#) [EQN72-10/20A](#) [EQN72 100V](#) [EQN72 10V](#)
[EQN72 120V](#) [EQN72-15/30A](#) [EQN72 150V](#) [EQN72 2,5/5A](#) [EQN72-25/50A](#) [EQN72 250V](#) [EQN72 4/8A](#) [EQN72 40/80A](#) [EQN72 50/100A](#)
[EQN72-6/12A](#) [EQN72 60/120A](#) [EQN72 60V](#) [15039](#) [15038](#) [88950109](#) [20017-14](#) [20028-17](#) [20035-17](#) [20116-23](#) [28103-20](#) [28104-06](#) [82450-](#)
[83](#) [82453-85](#)