

# Rugged Seal Style Analog Panel Meters



- *Rugged metal case for rigorous environments*
- *Splash-proof and sealed against moisture, dust and dirt*
- *Calibration not affected by steel panel mounting*
- *O-Ring sealed zero adjust and electrical terminals*

For Specifications and Dimensions see last page

## Ordering Information

AC Microammeter Rectifier Type, Self-Shielding Movement			
Range	Approx. Impedance (Ohms) @ 60 Hz	Model / Size and Catalog Number	
		3-1/2" Model 3343	4-1/2" Model 3344
0-100	4,000	<>	16185
<> Available on special order			

AC Ammeter Rectifier Type, Self-Shielding Movement			
Range	Internal Transformer Burden in VA	Model / Size and Catalog Number	
		3-1/2" Model 3343	4-1/2" Model 3344
0-5	0.5 VA max.	16080	16175

AC Milliammeter Rectifier Type, Self-Shielding Movement			
Range	Approx. Impedance (Ohms) @ 60 Hz	Model / Size and Catalog Number	
		3-1/2" Model 3343	4-1/2" Model 3344
0-1	600	16085	16180

AC Voltmeters Rectifier Type, Self-Shielding Movement			
Range	Approx. Impedance (Ohms) @ 60 Hz	Model / Size and Catalog Number	
		3-1/2" Model 3343	4-1/2" Model 3344
0-150	1,000 Ohms Per Volt	16065	16160
0-300		16070	16165



# Rugged Seal Style Analog Panel Meters

## Ordering Information

DC Microammeters, Self-Shielding Movement			
Range	Approx. Impedance (Ohms)	Model / Size and Catalog Number	
		3-1/2" Model 3323	4-1/2" Model 3324
0-50	3,000	16055	16150
0-100	1,450	16060	16155

DC Millivoltmeters, Self-Shielding Movement			
Range	Approx. Impedance (Ohms)	Model / Size and Catalog Number	
		3-1/2" Model 3323	4-1/2" Model 3324
0-50	10	16062	16157

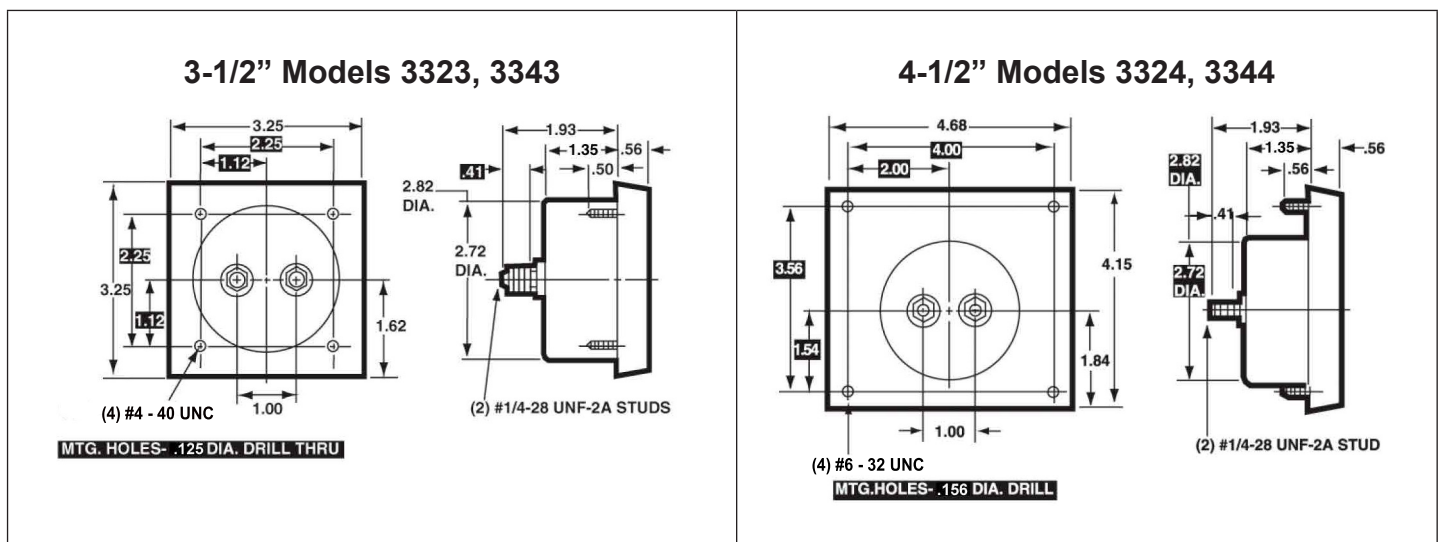
DC Milliammeters, Self-Shielding Movement			
Range	Approx. Impedance (Ohms)	Model / Size and Catalog Number	
		3-1/2" Model 3323	4-1/2" Model 3324
0-1	80	16045	16140

DC Voltmeters, Self-Shielding Movement			
Range	Approx. Impedance (Ohms)	Model / Size and Catalog Number	
		3-1/2" Model 3323	4-1/2" Model 3324
0-1.5	1,000 Ohms Per Volt	16000	<>
0-10		16005	<>
0-15		16010	<>
0-25		16015	<>
0-50		16020	<>
0-100		16025	<>
0-500		16030	<>
<> Available on special order			

DC Ammeters, Self-Shielding Movement			
Range	Internal Loss in mV	Model / Size and Catalog Number	
		3-1/2" Model 3323	4-1/2" Model 3324
0-5	Internal Shunt 75mV max.	16035	<>
0-10		16040	<>

Specifications	
<b>Accuracy</b>	± 3% F.S. AC Rectified, ± 2% for DC or Annular
<b>Movement</b>	Annular rectifier, self-shielding
<b>Suspension</b>	Pivot and jewel
<b>Tracking</b>	± 3%
<b>Shielding</b>	Calibration is unaffected by magnetic panel mounting
<b>Response Time</b>	1.5 seconds maximum
<b>Overload (1 sec.)</b>	10 times F.S.
<b>Overload (Continuous)</b>	1.5 times F.S.
<b>Repeatability</b>	2%
<b>Dial</b>	Sharp clear scale. Each dial arc is calibrated to track the specific type of movement used
<b>Case</b>	Metal shielded cover with black matte finish
<b>Resistance</b>	± 15% of meter impedance
<b>Operating Temperature</b>	-4°F to +149°F (-20°C to +65°C)
<b>Pointer</b>	Knife-edge with black matte finish
<b>Scale Length</b>	Model 3323, 3343: 2.74" (70.0mm) Model 3324, 3344: 4.05" (103.0mm)
<b>Net Weight</b>	Model 3323, 3343: 12oz. (0.340kg) Model 3324, 3344: 17oz. (0.48kg)

## Dimensions



## X-ON Electronics

Largest Supplier of Electrical and Electronic Components

*Click to view similar products for [Analogue Panel Meters](#) category:*

*Click to view products by [Simpson](#) manufacturer:*

Other Similar products are found below :

[A100](#) [DQN72 10V](#) [DQN72 15A](#) [DQN72 25A](#) [DQN72 25V](#) [DQN72 40A](#) [DQN72 60V](#) [EQN72 1,5/3A](#) [EQN72-10/20A](#) [EQN72 100V](#)  
[EQN72 10V](#) [EQN72 120V](#) [EQN72-15/30A](#) [EQN72 150V](#) [EQN72-25/50A](#) [EQN72 30/60A](#) [EQN72 4/8A](#) [EQN72 40/80A](#) [EQN72 50/100A](#)  
[EQN72-6/12A](#) [EQN72 60/120A](#) [05460](#) [09200](#) [10018](#) [16065](#)