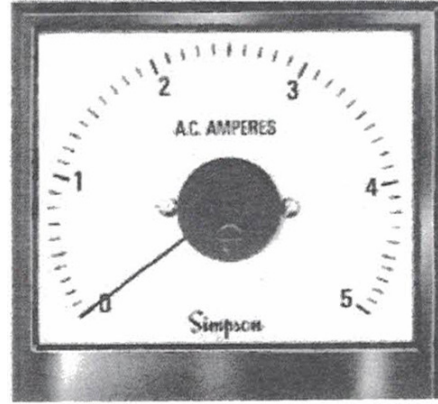


## 250° Long Scale Panel Meters



Round Style: 2523, 2524, 2543, 2544



Century Style: 2123L, 2143L

- Excellent readability -- more than double the scale length of standard movements
- Sealed round metal or square plastic cases with glass windows
- Zero adjust from front panel

### Ordering Information

Percent Motor Load Meters Self-Shielding Movement				
Range	Approx. Impedance (Ohms) @ 60 Hz	Model / Size and Catalog Number		
		3 - 1/2" Model 2543	3 - 1/2" Model 2143L	4 - 1/2" Model 2544
0 - 5 ACA	0.5VA Maximum *	< >	17918	< >
Motor Load Current **		< >	17919	< >
* Internal transformer burden				
** Dial reads 0-150% Motor Load Current				
< > Available on special order				

AC Voltmeters Rectifier Type Self-Shielding Movement				
Range	Approx. Impedance (Ohms) @ 60 Hz	Model / Size and Catalog Number		
		3 - 1/2" Model 2543	3 - 1/2" Model 2143L	4 - 1/2" Model 2544
0-10	2000Ω/V	17990	< >	17995
0-30		< >	17915	< >
0-150		17978	17916	17988
0-300		17979	17917	17989
< > Available on special order				

### Ordering Information

DC Millivoltmeters Self-Shielding Movement				
Range	Approx. Impedance (Ohms) @ 60 Hz	Model / Size and Catalog Number		
		3 - 1/2" Model 2523	3 - 1/2" Model 2123L	4 - 1/2" Model 2524
0-50	10	17977	17914	17987

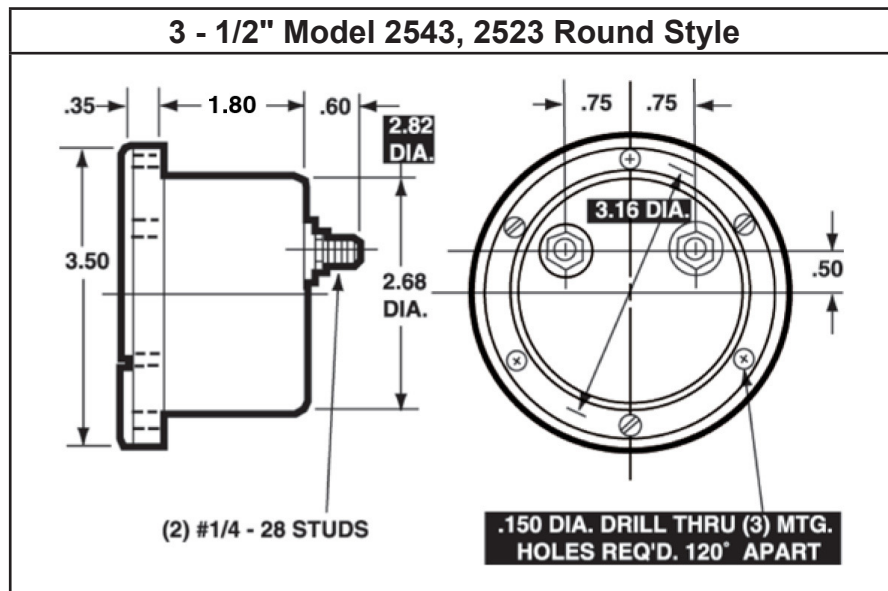
DC Microammeters Self-Shielding Movement				
Range	Approx. Impedance (Ohms)	Model / Size and Catalog Number		
		3 - 1/2" Model 2523	3 - 1/2" Model 2123L	4 - 1/2" Model 2524
0-50	8000	17970	17910	17980
0-100	4200	17971	17911	17981
0-500	340	17972	17912	17982

DC Milliammeters Self-Shielding Movement				
Range	Approx. Impedance (Ohms)	Model / Size and Catalog Number		
		3 - 1/2" Model 2523	3 - 1/2" Model 2123L	4 - 1/2" Model 2524
0-1	135.0	17973	17913	17983
0-10	10.0	17974	< >	17984
0-500	0.2	17975	< >	17985
1-0-1	50.0	17996	< >	17997
< > Available on special order				

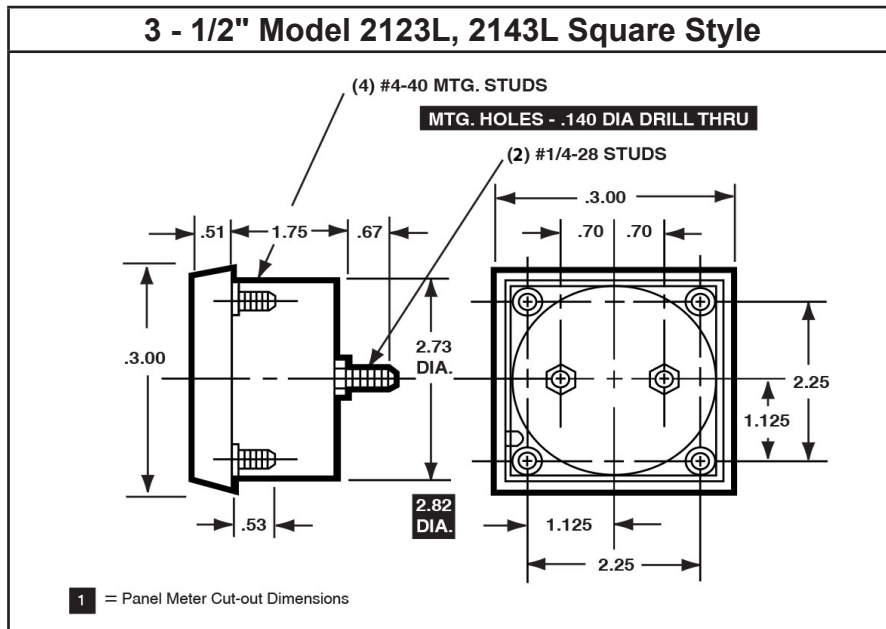
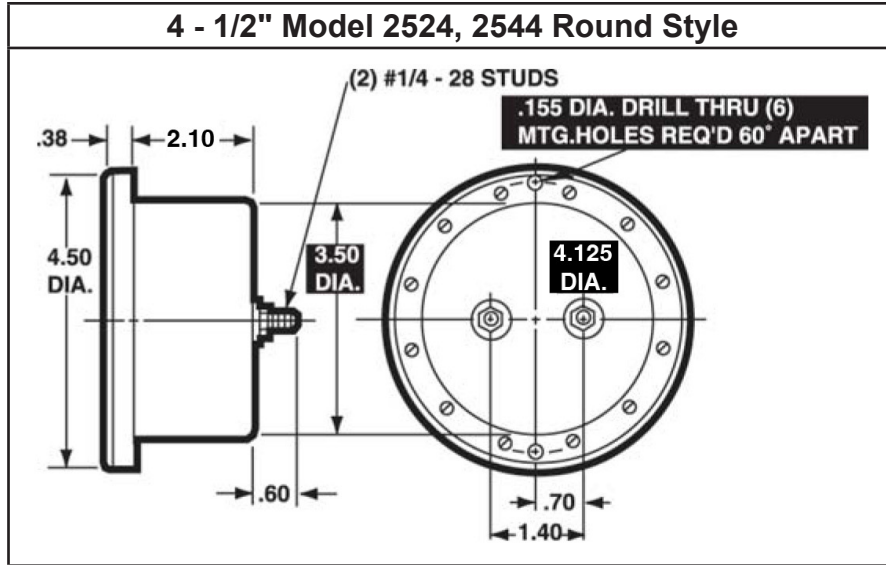
DC Ammeters Self-Shielding Movement				
Range	Approx. Impedance (Ohms)	Model / Size and Catalog Number		
		3 - 1/2" Model 2523	3 - 1/2" Model 2123L	4 - 1/2" Model 2524
0-10	.005	35098	< >	35099
< > Available on special order				
Meters are supplied as 50 millivolt and requires an external shunt #06704				

Specifications	
<b>Accuracy</b>	AC ±3% full scale (F.S.) DC ±2% full scale (F.S.)
<b>Movement</b>	AC: Rectifier type DC: Self-shielded, permanent magnet
<b>Suspension</b>	Pivot and jewel
<b>Tracking</b>	±3%
<b>Shielding</b>	Calibration is unaffected by magnetic panel mounting
<b>Response Time</b>	1.5 seconds maximum
<b>Overload (1 sec.)</b>	10 times F.S.
<b>Overload (Continuous)</b>	1.5 times F.S.
<b>Repeatability</b>	2%
<b>Dial</b>	Sharp clear scale. Each dial arc is calibrated to track the specific type of movement used
<b>Case</b>	Models 2523, 2524, 2543 & 2544: Metal Models 2123L, 2143L: Black plastic
<b>Resistance</b>	±15% of meter impedance
<b>Operating Temperature</b>	-4°F to +149°F (-20°C to +65°C)
<b>Pointer</b>	Red, knife-edge
<b>Scale Length</b>	Models 2123L, 2523, 2543 & 2143L: 4.77" (121.16mm) Models 2524, 2544: 6.54" (166.0mm)

### Dimensions



**Dimensions**



## X-ON Electronics

Largest Supplier of Electrical and Electronic Components

*Click to view similar products for [Analogue Panel Meters](#) category:*

*Click to view products by [Simpson](#) manufacturer:*

Other Similar products are found below :

[16000](#) [16025](#) [02360](#) [085000](#) [12](#) [10018](#) [10310](#) [81683-00](#) [APM-M2-MAK](#) [06713](#) [08130](#) [35139](#) [17517](#) [2602](#) [37030](#) [17753](#) [07380](#) [01253Z](#)  
[01160](#) [DQN72 10V](#) [DQN72 15A](#) [DQN72 25A](#) [DQN72 40A](#) [DQN72 60V](#) [EQN72 1,5/3A](#) [EQN72-10/20A](#) [EQN72 100V](#) [EQN72 10V](#)  
[EQN72 120V](#) [EQN72-15/30A](#) [EQN72 150V](#) [EQN72 2,5/5A](#) [EQN72-25/50A](#) [EQN72 250V](#) [EQN72 4/8A](#) [EQN72 40/80A](#) [EQN72 50/100A](#)  
[EQN72-6/12A](#) [EQN72 60/120A](#) [EQN72 60V](#) [15039](#) [15038](#) [88950109](#) [20017-14](#) [20028-17](#) [20035-17](#) [20116-23](#) [28103-20](#) [28104-06](#) [82450-](#)  
[83](#) [82453-85](#)