

## Hawk 3 Digital Panel Meter / Controller



File # E199939



- All parameters set from easy to understand front panel access
- One, two or four 5-amp relays optional
- Five user-selectable brightness levels
- 1/8 DIN, shallow depth case, 3.24"
- RS485 digital communications optional (H345)
- 12 or 24 DCV Excitation output optional, maximum 30mA @ 12V and 20mA @ 24V
- 4-20mA or 0-10 DCV analog retransmission optional
- NEMA 4X rated front panel



# Hawk 3 Digital Panel Meter / Controller

## Specifications

| DISPLAY               |  |
|-----------------------|--|
| Type                  | 7- segment, red LED, 4 or 5 digits                                       |
| Height                | 0.56" (14.2mm)   |
| Brightness            | 5 settings, user programmable  |
| Decimal Point         | 4 or 5 position, user programmable                                       |
| Overrange Indication  | Display flashes "EEEE" indicating Maximum Value Exceeded (Example: H335) |
| Underrange Indication | Display flashes "-EEE" indicating Minimum Value Exceeded (Example: H335) |
| Alarm Indicators      | 4 LED indicators for up to four independent setpoints                    |
| Linearization         | H335 2 points<br>H345 16 points  |

### POWER REQUIREMENTS

|           |                                |
|-----------|--------------------------------|
| AC        | 85 to 250 VAC or 120VAC @ 10VA |
| DC        | 9 to 36 DCV @ 10VA             |
| Isolation | 250V RMS MAX                   |

Note: Each supply is shown at the maximum and minimum values except the 120 VAC unit, which is allowed  $\pm 10\%$

### ACCURACY @ 25°C as % of rdg

|                     | 4-1/2 digit                              | 3-1/2 digit                              |
|---------------------|--|--|
| <b>DC Current</b>   |  |  |
| High (5A, 2A)       | $\pm 0.2\%$ of reading<br>$\pm 1$ count  | $\pm 0.3\%$ of reading<br>$\pm 1$ count  |
| All others          | $\pm 0.05\%$ of reading<br>$\pm 1$ count | $\pm 0.1\%$ of reading<br>$\pm 1$ count  |
| <b>DC Volts</b>     |  |  |
| High (600V)         | $\pm 0.1\%$ of reading<br>$\pm 1$ count  | $\pm 0.2\%$ of reading<br>$\pm 1$ count  |
| All others          | $\pm 0.05\%$ of reading<br>$\pm 1$ count | $\pm 0.1\%$ of reading<br>$\pm 1$ count  |
| <b>Resistance</b>   |  |  |
| All ranges          | $\pm 0.1\%$ of reading<br>$\pm 2$ counts | $\pm 0.1\%$ of reading<br>$\pm 2$ counts |
| <b>* AC Current</b> |  |  |
| High (2A, 5A)       | $\pm 0.2\%$ of reading<br>$\pm 2$ counts | $\pm 0.3\%$ of reading<br>$\pm 2$ counts |
| All others          | $\pm 0.1\%$ of reading<br>$\pm 2$ counts | $\pm 0.2\%$ of reading<br>$\pm 2$ counts |
| <b>* AC Volts</b>   |  |  |
| High (600V)         | $\pm 0.1\%$ of reading<br>$\pm 1$ count  | $\pm 0.2\%$ of reading<br>$\pm 1$ count  |
| All others          | $\pm 0.05\%$ of reading<br>$\pm 1$ count | $\pm 0.1\%$ of reading<br>$\pm 1$ count  |

\* AC functions measured at 50 hz, include  $\pm 1$  count for each additional 100 Hz above 50 Hz

## Specifications - Con't

### ENVIRONMENTAL

|                       |   |
|-----------------------|---|
| Operating Temperature | 0 to 50°C   |
| Storage Temperature   | -10 to +60°C  |
| Relative Humidity     | < 80% for the temp. up to 31°C and decreasing linearly to 50% relative humidity at 50°C |
| Ambient Temp          | 25°C  |
| Temperature Drift     | $\pm 100$ ppm /°C   |
| Warmup time           | 10 minutes  |

### NOISE REJECTION

|  |                  |
|--|------------------|
| NMRR                                     | 60 dB @ 50-60 Hz |
| CMRR                                     | 70 db @ 50-60 Hz |
| For indoor use to an altitude up to 200m |                  |

### A TO D CONVERSION

|              |   |
|--------------|---|
| Technique    | Successive approximation with oversampling                    |
| Sample Rate  | 10 conversions per second                                     |
| Display Rate | User Programmable from 1 - 420 updates / minute (240 default) |

### RS-485 Specications (only available on H345)

2 wire / Half duplex, Baud rate: 9600 baud, 1ms delay per character, 32 Nodes Maximum on Bus.  
Optically and magnetically isolated for ground loop elimination

### MECHANICAL

|              |  |
|--------------|--|
| Bezel        | 3.92" x 2.0" x 0.52" (99.8mm x 51.9mm x 132mm) |
| Depth        | 3.24" (82.3mm) behind panel                    |
| Panel cutout | 3.62" x 1.77" (92mm x 45mm) 1/8 DIN            |
| Weight       | 10 oz. (283.5 g)                               |
| Cover        | NEMA 4X Rated front panel                      |

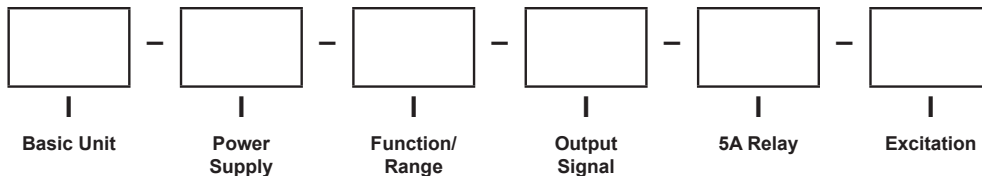
### ELECTRICAL

|                       |   |
|-----------------------|---|
| Accuracy              | Listed as % of reading at 25°C.<br>Add 100ppm/°C to compensate for drift.<br>Tested at 50Hz, include +/-1 count for every 100Hz above 50 Hz |
| Transient Overvoltage | Installation Category III, Pollution Degree 2   |
| Analog Output         | Sampling Rate = 100 mSec.<br>Reaction Time 0 to Full Scale = 10 $\mu$ Sec   |

# Hawk 3 Digital Panel Meter / Controller

## Ordering Information -

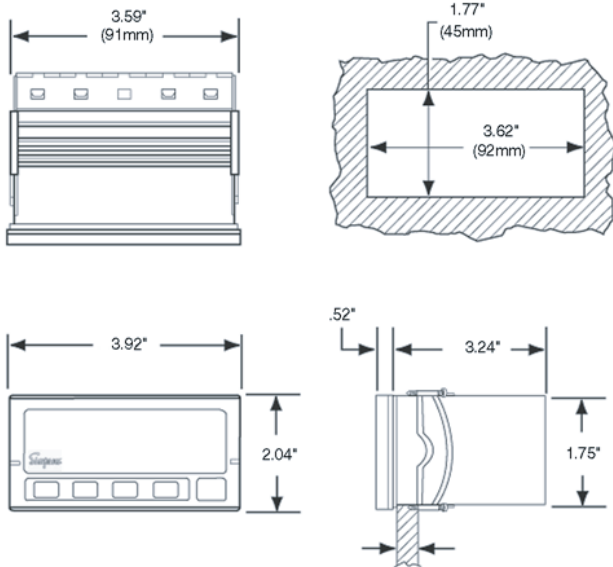
Hawk 3 Indicators can be configured by making an entry into each section. Example: H335-3-71-0-4-1



| Select From Each One Below |      |                         |                       |    |                     |                      |   |                     |
|----------------------------|------|-------------------------|-----------------------|----|---------------------|----------------------|---|---------------------|
| <b>Basic Unit</b>          |      |                         | <b>Function/Range</b> |    |                     | <b>Output Signal</b> |   |                     |
|                            | H335 | 3-1/2 digit, Red LED    |                       | 41 | 200 AC $\mu$ A      |                      | 0 | None                |
|                            | H345 | 4-1/2 digit, Red LED    |                       | 42 | 2 ACmA              |                      | 1 | 4-20 DCmA           |
| <b>Power Supply</b>        |      |                         |                       | 43 | 20 ACmA             |                      | 2 | 0-10 DCV            |
|                            | 1    | 120 ACV (3-1/2 only)    |                       | 44 | 200 ACmA            |                      | 6 | RS-485 (4-1/2 only) |
|                            | 2    | 85-250 ACV (4-1/2 only) |                       | 45 | 2 ACA               | <b>5A Relays</b>     |   |                     |
|                            | 3    | 9-36 DCV                |                       | 46 | 5 ACA               |                      | 0 | None                |
|                            | 4    | 85-250 ACV (3-1/2 only) |                       | 51 | 200 ACmV TRMS       |                      | 1 | One                 |
| <b>Function/Range</b>      |      |                         |                       | 52 | 2 ACV TRMS          |                      | 2 | Two                 |
|                            | 11   | 200 DCmv                |                       | 53 | 20 ACV TRMS         |                      | 4 | Four                |
|                            | 12   | 2 DCV                   |                       | 54 | 200 ACV TRMS        | <b>Excitation</b>    |   |                     |
|                            | 13   | 20 DCV                  |                       | 55 | 600 ACV* TRMS       |                      | 0 | None                |
|                            | 14   | 200 DCV                 |                       | 61 | 200 AC $\mu$ A TRMS |                      | 1 | 12 DCV              |
|                            | 15   | 600 DCV *               |                       | 62 | 2 ACmA TRMS         |                      | 2 | 24 DCV              |
|                            | 21   | 200 DC $\mu$ A          |                       | 63 | 20 ACmA TRMS        |                      |   |                     |
|                            | 22   | 2 DCmA                  |                       | 64 | 200 ACmA TRMS       |                      |   |                     |
|                            | 23   | 20 DCmA                 |                       | 65 | 2 ACA TRMS          |                      |   |                     |
|                            | 24   | 200 DCmA                |                       | 66 | 5 ACA TRMS          |                      |   |                     |
|                            | 25   | 2 DCA                   |                       | 71 | 4-20 DCmA Process   |                      |   |                     |
|                            | 26   | 5 DCA                   |                       | 72 | 0-10 DCV Process    |                      |   |                     |
|                            | 31   | 200 ACmV                |                       | 81 | 200 Ohm             |                      |   |                     |
|                            | 32   | 2 ACV                   |                       | 82 | 2K Ohm              |                      |   |                     |
|                            | 33   | 20 ACV                  |                       | 83 | 20K Ohm             |                      |   |                     |
|                            | 34   | 200 ACV                 |                       | 84 | 200K Ohm            |                      |   |                     |
|                            | 35   | 600 ACV                 |                       |    |                     |                      |   |                     |
| * Awaiting UL approval     |      |                         |                       |    |                     |                      |   |                     |

## Hawk 3 Digital Panel Meter / Controller

### Installation and Panel Cutout - H335, H340, H345



#### Mounting Requirements

The Hawk 3 Advanced Digital Controller 1/8 DIN meters require a panel cutout of 1.77" (45mm) high by 3.62" (92mm) wide.

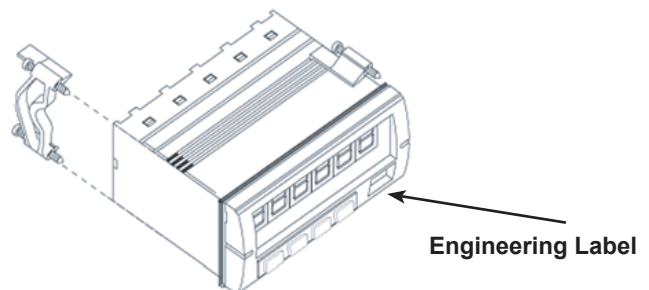
To install the Hawk 3 meter into a panel cutout, remove the clips from the side of the meter.

Slide the meter through the panel cutout, then slide the mounting clips back on the meter. Press evenly to ensure a proper fit. Tighten screws.

#### Engineering Label Placement

To replace the engineering unit label, place the tip of a ballpoint pen into the small hole at the base of the engineering label in the bezel.

Slide the label up until it pops out. Grasp and remove. Slide the new label half the distance in, then use the ballpoint pen to slide it down into place.





## Hawk 3 Digital Panel Meter / Controller

### Inputs

| DC Voltage |                  |                  |                 |          |
|------------|------------------|------------------|-----------------|----------|
| Range      | Resolution 4-1/2 | Resolution 3-1/2 | Input Impedance | Overload |
| 200 mV     | 10 $\mu$ V       | .1 mV            | 1M $\Omega$     | 5 DCV    |
| 2 V        | .1 mV            | 1 mV             | 1M $\Omega$     | 5 DCV    |
| 20 V       | 1 mV             | 10 mV            | 1M $\Omega$     | 300 DCV  |
| 200 V      | 10 mV            | .1 V             | 1M $\Omega$     | 300 DCV  |
| 600 V      | .1 V             | 1 V              | 1M $\Omega$     | 1K DCV   |

| AC Voltage (same for TRMS @ 60 Hz) |                  |                  |                 |          |
|------------------------------------|------------------|------------------|-----------------|----------|
| Range                              | Resolution 4-1/2 | Resolution 3-1/2 | Input Impedance | Overload |
| 200 mV                             | 10 $\mu$ V       | .1 mV            | 200K $\Omega$   | 5 DCV    |
| 2 V                                | .1 mV            | 1 mV             | 200K $\Omega$   | 5 DCV    |
| 20 V                               | 1 mV             | 10 mV            | 1M $\Omega$     | 300 DCV  |
| 200 V                              | 10 mV            | .1 V             | 1M $\Omega$     | 300 DCV  |
| 600 V                              | .1 V             | 1 V              | 1M $\Omega$     | 1K DCV   |

| DC Current  |                  |                  |                 |           |
|-------------|------------------|------------------|-----------------|-----------|
| Range       | Resolution 4-1/2 | Resolution 3-1/2 | Input Impedance | Overload  |
| 200 $\mu$ A | 10 nA            | .1 $\mu$ A       | 1K $\Omega$     | 4.5 mA DC |
| 2 mA        | .1 $\mu$ A       | 1 $\mu$ A        | 100 $\Omega$    | 45 mA DC  |
| 20 mA       | 1 $\mu$ A        | 10 $\mu$ A       | 10 $\Omega$     | 200 mA DC |
| 200 mA      | 10 $\mu$ A       | .1 mA            | 1 $\Omega$      | 600 mA DC |
| 2 A         | .1 mA            | 1 mA             | .013 $\Omega$   | 5.5 A DC  |
| 5 A         | 1 mA             | 10 mA            | .013 $\Omega$   | 5.5 A DC  |

| AC Current (same for TRMS @ 60 Hz) |                  |                  |                 |           |
|------------------------------------|------------------|------------------|-----------------|-----------|
| Range                              | Resolution 4-1/2 | Resolution 3-1/2 | Input Impedance | Overload  |
| 200 $\mu$ A                        | 10 nA            | .1 $\mu$ A       | 1K $\Omega$     | 4.5 mA DC |
| 2 mA                               | .1 $\mu$ A       | 1 $\mu$ A        | 100 $\Omega$    | 45 mA DC  |
| 20 mA                              | 1 $\mu$ A        | 10 $\mu$ A       | 10 $\Omega$     | 200 mA DC |
| 200 mA                             | 10 $\mu$ A       | .1 mA            | 1 $\Omega$      | 600 mA DC |
| 2 A                                | .1 mA            | 1 mA             | .013 $\Omega$   | 5.5 A DC  |
| 5 A                                | 1 mA             | 10 mA            | .013 $\Omega$   | 5.5 A DC  |

| Resistance    |                  |                  |                 |             |
|---------------|------------------|------------------|-----------------|-------------|
| Range         | Resolution 4-1/2 | Resolution 3-1/2 | Input Impedance | Overload    |
| 200 $\Omega$  | 10 m $\Omega$    | .1 $\Omega$      | 1.2K $\Omega$   | $\pm$ 5 DCV |
| 2K $\Omega$   | .1 $\Omega$      | 1 $\Omega$       | 12K $\Omega$    | $\pm$ 5 DCV |
| 20K $\Omega$  | 1 $\Omega$       | 10 $\Omega$      | 121K $\Omega$   | $\pm$ 5 DCV |
| 200K $\Omega$ | 10 $\Omega$      | 100 $\Omega$     | 1.2M $\Omega$   | $\pm$ 5 DCV |

## X-ON Electronics

Largest Supplier of Electrical and Electronic Components

*Click to view similar products for [Digital Panel Meters](#) category:*

*Click to view products by [Simpson](#) manufacturer:*

Other Similar products are found below :

[M00558-00](#) [70.360.4828.0](#) [72331-00](#) [85310-25](#) [86642-00](#) [87268-13](#) [87316-00](#) [87719-26](#) [98107-56](#) [HB8260-R36-90](#) [DMS-20ACV-3-R-C](#)  
[EM11DINAV81XR1X](#) [25.325.3253.1](#) [25.325.4253.1](#) [25.330.0453.1](#) [20046-20](#) [20182-23](#) [AP1021](#) [25.320.5053.0](#) [25.350.3453.1](#)  
[25.394.3653.1](#) [25.521.3253.0](#) [28006-01](#) [04.630.1080.0](#) [20078-20](#) [EM11DINAV81XO1X](#) [85874-26](#) [87166-00](#) [87895-00](#) [28000-03](#) [K3GN-](#)  
[NDT1-FLK 24VDC](#) [82322K-11](#) [86641-00](#) [87004-00](#) [HB8280R2490](#) [HB8260R4890](#) [SCE016MD3MV0W10](#) [20125-21](#) [86640-00](#) [PG-100-](#)  
[103GP](#) [PG-100-102RP](#) [PG-100B-102R-H](#) [PG-100B-103R](#) [PG-100B-102R](#) [PG-100N-103R-W](#) [PG-100N-103R](#) [PG-100N-102R](#) [PG-100-](#)  
[102GH](#) [PG-100-103RP](#) [PG-100B-103R-M](#)