



# Metallized Polypropylene Film Interference Suppression Capacitors

## 金属化聚丙烯膜抑制电磁电源干扰用电容器

### (MP1-Class X1 300VAC Series)

#### 引用标准 Reference standards

GB/T6346.14-2015/ UL60384-14/VDE0565-1/ CSA E60384-14  
IEC60384-14 /EN60384-14

#### 结构 Structure

介质：（金属化）聚丙烯膜

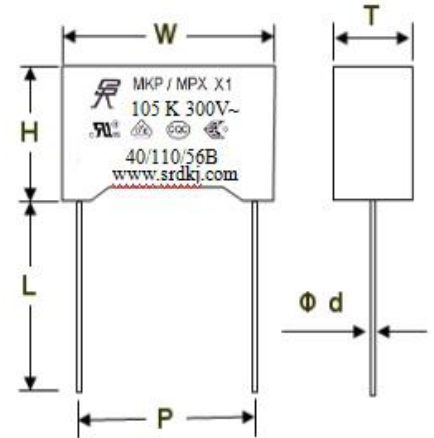
封装：阻燃环氧树脂，符合 UL94 V-0

外壳：阻燃 PBT 塑壳，符合 UL94 V-0

Dielectric: Metallized Polypropylene film

Encapsulation: Flame retardant epoxy resin, conforming to UL94 V-0

Shell: Flame retardant PBT plastic shell, conforming to UL94 V-0



#### 典型应用 Typical Application

跨线、抑制突波、交流场合 EMI 滤波；电源开关等。如：灯具、电源等

Interlines, Surge suppression, Across-in-line as EMI filter;

Power switch etc. Such as: Lamps, Power Sources etc.

#### 特点 Features

外观一致性好；有良好自愈性 Good appearance consistency; Good self-healing property;

抗湿性强；高耐温 Good resistance to humidity; Can withstand high temperature;

长寿命，耐过电压优良 Long lifetime; Good ability to withstand surge voltage.

#### 符合 RoHS 及 REACH 环保标准 Compliance with RoHs & REACH requirements.

#### 电性能规范 Performance Specifications

气候类别 Climate category	40/110/56	
阻燃等级 Passive flammability class	B	
额定电压 Rated Voltage	300VAC	
容量误差 Capacitance Tolerance	K: $\pm 10\%$	
容量范围 Capacitance Range	0.0022 $\mu$ F~4.7 $\mu$ F Test Condition: 20 $^{\circ}$ C, 1KHz, 1Vrms	
耐电压 Withstand Voltage	Terminal to terminal: 4.3U <sub>R</sub> (Vdc),5S Terminal to shell: 2380VAC 60S	No breakdown or electric arcing
损耗角 Dissipation factor	$\leq 0.0020$ 10KHz C <sub>R</sub> $\leq 1.0\mu$ F $\leq 0.0010$ 1KHz C <sub>R</sub> $> 1.0\mu$ F	Test Condition : 20 $^{\circ}$ C 1V
绝缘电阻或时间常数 Insulation Resistance	C <sub>R</sub> $\leq 0.33\mu$ F IR $\geq 15000M\Omega$ C <sub>R</sub> $> 0.33\mu$ F IR $\geq 5000S$	Test Condition : 20 $^{\circ}$ C 100V 1 min
最大脉冲爬升速率 Max. Pulse Rise Time (dV / dt)	P=10mm dV / dt = 500V/ $\mu$ s P=15mm dV / dt = 400V/ $\mu$ s P=22.5mm dV / dt = 200V/ $\mu$ s P=27.5mm dV / dt = 150V/ $\mu$ s P=31.5mm dV / dt = 100V/ $\mu$ s P=41mm dV / dt = 60V/ $\mu$ s	



# Metallized Polypropylene Film Interference Suppression Capacitors

## 金属化聚丙烯膜抑制电磁电源干扰用电容器

### (MP1-Class X1 300VAC Series)

#### 电性能规范 Performance Specifications

稳态湿热 Steady-state Damp-heat Test	温度 Temp.: 40±2℃ 相对湿度 Humidity: 93%RH 持续时间 Duration Time: 56 Days	无可见损伤, 标志清晰 no visible damage, clear mark 绝缘电阻 IR: ≥ 额定值的 50% IR: ≥ 50% of Rated value 容量变化 (相对初始值): Capacitance change: $\Delta C/C \leq \pm 5\%$ 损耗角增加 Dissipation factor: Rise $\leq 0.0080$ (10KHz), $C_R \leq 1\mu F$ Rise $\leq 0.0050$ (1KHz), $C_R > 1\mu F$
耐久性试验 Endurance Test	温度 Temp.: +110℃, 施加电压: 1.25×额定电压(每小时增加 电压到 1000Vac, 0.1 秒, 1 次) Test Voltage: 1.25 Times Rated Voltage ( Rise the voltage to 1000Vac for .01s once per hours ) 持续时间 Duration Time: 1000H	绝缘电阻 Insulation Resistance IR: ≥ 50% of rated value 容量变化 (相对初始值): $\Delta C/C \leq \pm 10\%$ Capacitance change: $\Delta C/C \leq \pm 10\%$

#### 安规认证 Safety Certification

认证标志 Certification	额定电压 Rated Voltage	证书号码 Certificate No.	引用标准 Reference standard	认证国家 Certification Country
UL/CUL	300VAC	E319615	UL60384-14	美国、加拿大 America / Canada
VDE	300VAC	40025029	EN60384-14	德国 Germany
ENEC	300VAC	40025029	EN60384-14	欧盟 Europe
CQC	300VAC	CQC12001070301	GB/T6346.14-2015	中国 China

#### 产品编码说明 Part No. Description:

15 位产品编码如下:

The Part No. is total 15 digits, details as follow:

1 2 3 4 5 6 7 8 9 10 11 12 13 14 15

M	P	1	1	0	4	K	3	0	D	4	R	8	*	*
---	---	---	---	---	---	---	---	---	---	---	---	---	---	---

Digit 1-3	型号代码 Product Name Code	MP1= Class X1 Capacitors
Digit 4-6	标称容量 Rated Capacitance Value	For example : 104= $10 \times 10^4 \mu F = 0.1 \mu F$
Digit 7	容量偏差 Capacitance Tolerance	K=±10%
Digit 8-9	额定电压 Rated Voltage Code	30=300VAC
Digit 10-11	壳号 Plastic shell code	
Digit 12	塑壳颜色 Plastic Shell Color	R = Grey Color with LOGO on the shell top
Digit 13	线径代码 Line diameter code	6=0.6 8=0.8
Digit 14-15	成型或内部识别码 Forming Type or Internal Use	



# Metallized Polypropylene Film Interference Suppression Capacitors

## 金属化聚丙烯膜抑制电磁电源干扰用电容器

### (MP1-Class X1 300VAC Series)

#### 料号明细及尺寸 Part No. List and Dimensions

成品编码 Part No.	等级 Class	电压 Voltage	容量 Capacitance ( $\mu$ F)	尺寸 Dimension (mm)				
				W $\pm$ 0.5	T $\pm$ 0.5	H $\pm$ 0.5	P $\pm$ 0.5	$\Phi$ d $\pm$ 0.05
MP1103K30B1R5LC	X1	300VAC	0.01	10	4	9	7.5	0.5
MP1103K30C2R6LC	X1	300VAC	0.01	13	5	11	10	0.6
MP1103K30D1R6LC	X1	300VAC	0.01	18	5	11	15	0.6
MP1104K30C3R6LC	X1	300VAC	0.1	13	6	12	10	0.6
MP1104K30D2R8LC	X1	300VAC	0.1	18	6	12	15	0.8
MP1105K30E6R8LC	X1	300VAC	1.0	26	12	21.5	22.5	0.8
MP1125K30E6R8LC	X1	300VAC	1.2	26	12	21.5	22.5	0.8
MP1153K30C2R6LC	X1	300VAC	0.015	13	5	11	10	0.6
MP1154K30C3R6LC	X1	300VAC	0.15	13	6	12	10	0.6
MP1103K30B1R5LC	X1	300VAC	0.01	10	4	9	7.5	0.5
MP1103K30C2R6LC	X1	300VAC	0.01	13	5	11	10	0.6
MP1103K30D1R6LC	X1	300VAC	0.01	18	5	11	15	0.6
MP1104K30C3R6LC	X1	300VAC	0.1	13	6	12	10	0.6
MP1104K30D2R8LC	X1	300VAC	0.1	18	6	12	15	0.8
MP1105K30E6R8LC	X1	300VAC	1.0	26	12	21.5	22.5	0.8
MP1125K30E6R8LC	X1	300VAC	1.2	26	12	21.5	22.5	0.8
MP1153K30C2R6LC	X1	300VAC	0.015	13	5	11	10	0.6
MP1154K30C3R6LC	X1	300VAC	0.15	13	6	12	10	0.6
MP1103K30B1R5LC	X1	300VAC	0.01	10	4	9	7.5	0.5
MP1103K30C2R6LC	X1	300VAC	0.01	13	5	11	10	0.6
MP1103K30D1R6LC	X1	300VAC	0.01	18	5	11	15	0.6
MP1104K30C3R6LC	X1	300VAC	0.1	13	6	12	10	0.6
MP1104K30D2R8LC	X1	300VAC	0.1	18	6	12	15	0.8
MP1154K30D2R8LC	X1	300VAC	0.15	18	6	12	15	0.8
MP1155K30E5R8LC	X1	300VAC	1.5	26.5	11	20	22.5	0.8
MP1223K30C2R6LC	X1	300VAC	0.022	13	5	11	10	0.6
MP1224K30C3R690	X1	300VAC	0.22	13	6	12	10	0.6
MP1224K30D4R8LC	X1	300VAC	0.22	18	8.4	14.5	15	0.8
MP1224K30E2R8LC	X1	300VAC	0.22	26.5	7	16.5	22.5	0.8
MP1225K30F3R8LC	X1	300VAC	2.2	31	14	25	27.5	0.8
MP1333K30C2R6LC	X1	300VAC	0.033	13	5	11	10	0.6
MP1334K30D4R8LC	X1	300VAC	0.33	18	8.4	14.5	15	0.8
MP1335K30F8R8LC	X1	300VAC	3.3	31.5	21	31	27.5	0.8

说明 Note: “\*\*\*”表示内部特征码

“\*\*\*”=Internal use.



**Metallized Polypropylene Film Interference Suppression Capacitors**  
**金属化聚丙烯膜抑制电磁电源干扰用电容器**  
**(MP1-Class X1 300VAC Series)**

■ 料号明细及尺寸 Part No. List and Dimensions

成品编码 Part No.	等级 Class	电压 Voltage	容量 Capacitance ( $\mu$ F)	尺寸 Dimension (mm)				
				W $\pm$ 0.5	T $\pm$ 0.5	H $\pm$ 0.5	P $\pm$ 0.5	$\Phi$ d $\pm$ 0.05
MP1394K30D6R8LC	X1	300VAC	0.39	18	10	15.8	15	0.8
MP1472K30C2R6LC	X1	300VAC	0.0047	13	5	11	10	0.6
MP1473K30C2R6LC	X1	300VAC	0.047	13	5	11	10	0.6
MP1474K30D6R8LC	X1	300VAC	0.47	18	10	15.8	15	0.8
MP1474K30E4R8LC	X1	300VAC	0.47	26.5	10	19	22.5	0.8
MP1474K30F1R8LC	X1	300VAC	0.47	31.5	10.8	19.5	27.5	0.8
MP1564K30E4R8LC	X1	300VAC	0.56	26.5	10	19	22.5	0.8
MP1683K30C2R6LC	X1	300VAC	0.068	13	5	11	10	0.6
MP1683K30C3R6LC	X1	300VAC	0.068	13	6	12	10	0.6
MP1684K30D8R8LC	X1	300VAC	0.68	18	11.2	19.2	15	0.8
MP1394K30D6R8LC	X1	300VAC	0.39	18	10	15.8	15	0.8
MP1472K30C2R6LC	X1	300VAC	0.0047	13	5	11	10	0.6
MP1473K30C2R6LC	X1	300VAC	0.047	13	5	11	10	0.6
MP1474K30D6R8LC	X1	300VAC	0.47	18	10	15.8	15	0.8
MP1474K30E4R8LC	X1	300VAC	0.47	26.5	10	19	22.5	0.8
MP1474K30F1R8LC	X1	300VAC	0.47	31.5	10.8	19.5	27.5	0.8
MP1564K30E4R8LC	X1	300VAC	0.56	26.5	10	19	22.5	0.8
MP1683K30C2R6LC	X1	300VAC	0.068	13	5	11	10	0.6
MP1683K30C3R6LC	X1	300VAC	0.068	13	6	12	10	0.6

说明 Note: "\*\*\*"表示内部特征码

"\*\*\*"=Internal use.

Note: We can customize the capacitors according to customers special requirements.

## X-ON Electronics

Largest Supplier of Electrical and Electronic Components

*Click to view similar products for [Film Capacitors](#) category:*

*Click to view products by [Sincerity](#) manufacturer:*

Other Similar products are found below :

[M83421/01-3089R](#) [703-6G](#) [F450KG153J250ALH0J](#) [750-1018](#) [FKP1-1000160010P15](#) [FKP1-1500160010P15](#) [FKP1U024707E00KYSD](#)  
[82EC1100DQ50K](#) [MMWAF150KME](#) [PCY2130F30153](#) [PME261JB5220KR19T0](#) [A521HH333M035C](#) [QXJ2E474KTPT](#) [QXL2B333KTPT](#)  
[QXM2G104K](#) [B32234-.033@250V-K](#) [B32520C6332K000](#) [B32522C6104K000](#) [B32523Q3155J](#) [B32676E6755K](#) [B81133-C1104-M3](#)  
[MTC355L1](#) [217-0716-001](#) [PA225L30](#) [221A10-120](#) [CB182K0184J--](#) [KP1830-247/061-G](#) [SCD105K122A3-22](#) [SCD205K122A3-24](#)  
[F601BL225K063CL60A](#) [PCX2339F65224](#) [PCX2339F65334](#) [2222 368 55105](#) [2222 370 21683](#) [QXL2E473KTPT](#) [445450-1](#) [B32524Q6155J](#)  
[46KI3100JBM1K](#) [MKP 1839-215-633](#) [MKP 1840-447-165](#) [MKP383510063JKP2T0](#) [MKT182022263473](#) [WMC08P22](#) [YE333](#) [ECQ-](#)  
[W4223KZ](#) [EEC2G805HQA415](#) [PA103L30](#) [82DC3100DQ50J](#) [82EC2150DQ50K](#) [WMF1D68](#)