



环氧粉末包封型金属化聚丙烯膜电容器---CBB21(MPP)系列

Metallized Polypropylene Film Capacitors(Dipped)---CBB21(MPP)series

引用标准 Reference standards

GB10190(IEC384-16)

结构 Structure

介质：聚丙烯膜

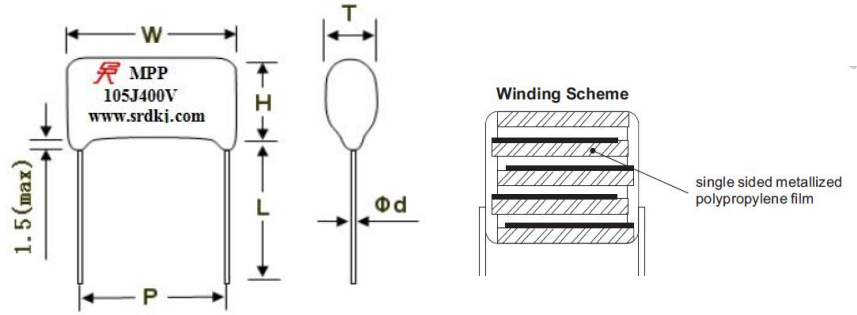
电极：金属真空蒸发层

封装：阻燃粉末环氧树脂，符合 UL94 V-0

Dielectric: Polypropylene film

Electrode: metal vacuum evaporation layer

Encapsulation: Flame retardant power epoxy resin, conforming to UL94 V-0



典型应用 Typical Application

用于开关电源，电子镇流器和变频器等中间电路直流滤波（如 DC filter,DC-link,PFC 等）

As intermediate circuit capacitor for SMPS, LED driver, inverter (i.e. DC filter,DC-link, DC filter and P.F.C)

特点 Features

有良好自愈性能，缩小产品尺寸，高频损耗小，温升低

Reduced size depended on good self-healing property, low dissipation at high frequency, low temperature rise

符合 RoHS 及 REACH 环保标准 Compliance with RoHs & REACH requirements.

电性能规范 Performance Specifications

气候类别 Climate category	40/105/56						
额定温度 Rated Temperature	85°C						
工作温度范围 Operating Temperature range	-40°C--+105°C. (+85°C~+105°C): decreasing factor 1.5% per °C for R.V(DC) (+85°C~+105°C): 额定电压降额使用系数 1.5% per °C for R.V(DC)						
额定电压 Rated Voltage	400(450)VDC, 630VDC						
容量误差 Capacitance Tolerance	J: ±5%						
容量范围 Capacitance Range	0.001μF~22μF 测试条件 Test Condition: 20°C, 1KHz, 1Vrms						
耐电压 Withstand Voltage	1.6U _R ,5S			无击穿或飞弧 No breakdown or electric arcing			
损耗角 Dissipation factor	≤0.001 (1KHz)			测试条件 Test Condition : 20°C 1Vrms			
绝缘电阻或时间常数 Insulation Resistance	C _R ≤0.33μF IR≥30000MΩ C _R >0.33μF IR≥10000S			测试条件 Test Condition : 20°C 100V 1 min			
最大脉冲爬升速率 Max. Pulse Rise Time (dV / dt)	U _R (V)	P7.5	P10	P15	P20	P25	P31
	400(450)V	120	80	65	35	20	10
	630V	150	120	80	60	40	20



环氧粉末包封型金属化聚丙烯膜电容器---CBB21(MPP)系列

Metallized Polypropylene Film Capacitors(Dipped)---CBB21(MPP)series

电性能规范 Performance Specifications

稳态湿热 Steady-state Damp-heat Test	温度 Temp.: 40±2℃ 相对湿度 Humidity: 93%RH 持续时间 Duration Time: 56 Days	无可见损伤, 标志清晰 no visible damage, clear mark 绝缘电阻 IR: ≥ 额定值的 50% IR: ≥ 50% of Rated value 容量变化 (相对初始值): Capacitance change (relative to the initial value): $\Delta C/C \leq \pm 5\%$ 损耗角增加 Dissipation factor: Rise ≤ 0.0020 (1KHz), $C_R > 1\mu F$
耐久性试验 Endurance Test	温度 Temp.: +85℃, 电压 Voltage: 1.25 Times Rated Voltage 持续时间 Duration Time: 1000H	绝缘电阻 Insulation Resistance IR: ≥ 额定值的 50% IR: ≥ 50% of rated value 损耗角增加: ≤ 0.0040 dissipation factor rise: ≤ 0.0040 容量变化 (相对初始值): $\Delta C/C \leq \pm 10\%$ Capacitance change (relative to the initial value): $\Delta C/C \leq \pm 10\%$

产品编码说明 Part No. Description:

18 位产品编码如下:

The Part No. Is total 18 digits, details as follow:

1	2	3	4	5	6	7	8	9	10	11	12	13	14	15	16	17	18
M	P	P	1	0	5	J	2	G	1	9	0	7	1	4	8	*	*

- Digit 1-3 型号代码 Product series Code MPP= CBB21 series
- Digit 4-6 标称容量 Rated Capacitance Value For example : 105 = $10 \times 10^5 \mu F = 1.0 \mu F$
- Digit 7 容量偏差 Capacitance Tolerance J=±5%
- Digit 8-9 额定电压 Rated Voltage Code 2G=400VDC 2W=450VDC 2J=630VDC
- Digit 10-15 外形尺寸 Dimensions Code
- Digit 16 线径代码 Line diameter code 6=0.6 8=0.8 1=1.0
- Digit 17-18 成型或内部识别码 Forming Type or Internal Use



环氧粉末包封型金属化聚丙烯膜电容器---CBB21(MPP)系列
Metallized Polypropylene Film Capacitors(Dipped)---CBB21(MPP)series

■ 料号明细及尺寸 Part No. List and Dimensions

U _R :400 (450) Vdc							
成品编码 Part No.	系列 Series	容量 Capacitance (μ F)	尺寸 Dimension (mm)				
			Wmax	Tmax	Hmax	P \pm 0.5	d \pm 0.05
MPP823J##1004075**	CBB21	0.082	10	5.0	8.0	7.5	0.5
MPP104J##1004075**	CBB21	0.1	10	5.5	8.5	7.5	0.5
MPP124J##1004085**	CBB21	0.12	10	5.5	9.0	7.5	0.5
MPP154J##1005085**	CBB21	0.15	10	6.0	9.5	7.5	0.5
MPP184J##1005105**	CBB21	0.18	10	6.0	10.5	7.5	0.5
MPP224J##1005105**	CBB21	0.22	10	6.5	11.5	7.5	0.5
MPP274J##1006115**	CBB21	0.27	10	7.0	12.0	7.5	0.5
MPP334J##1006135**	CBB21	0.33	10	7.5	14.0	7.5	0.5
MPP394J##1007145**	CBB21	0.39	10	8.0	14.5	7.5	0.5
MPP474J##1008155**	CBB21	0.47	10	9.0	15.5	7.5	0.5
MPP124J##1304075**	CBB21	0.12	13	5.0	8.5	10	0.5
MPP154J##1304075**	CBB21	0.15	13	5.5	8.5	10	0.5
MPP184J##1304085**	CBB21	0.18	13	6.0	9.0	10	0.5
MPP224J##1305085**	CBB21	0.22	13	6.5	10.5	10	0.5
MPP274J##1305105**	CBB21	0.27	13	6.5	10.5	10	0.5
MPP334J##1305115**	CBB21	0.33	13	7.5	12.5	10	0.5
MPP394J##1306116**	CBB21	0.39	13	8.0	13.0	10	0.6
MPP474J##1306136**	CBB21	0.47	13	7.5	14.5	10	0.6
MPP564J##1307146**	CBB21	0.56	13	8.5	15.5	10	0.6
MPP684J##1308156**	CBB21	0.68	13	9.5	16.0	10	0.6
MPP824J##1308166**	CBB21	0.82	13	9.5	16.5	10	0.6
MPP105J##1309176**	CBB21	1.0	13	10.5	18.5	10	0.6
MPP474J##1905106**	CBB21	0.47	18	6.5	11.5	15	0.6
MPP564J##1905106**	CBB21	0.56	18	6.5	12.0	15	0.6
MPP684J##1906116**	CBB21	0.68	18	7.5	12.5	15	0.6
MPP824J##1907128**	CBB21	0.82	18	8.5	13.0	15	0.8
MPP105J##1907148**	CBB21	1.0	18	8.5	15.0	15	0.8
MPP125J##1908148**	CBB21	1.2	18	9.0	15.5	15	0.8
MPP155J##1908168**	CBB21	1.5	18	9.5	17.5	15	0.8
MPP185J##1909178**	CBB21	1.8	18	10.0	18.0	15	0.8

说明 Note:

1. “##” 表示标称电压 “##” =Rated voltage 2G=400V, 2W=450V
2. “**” 表示内部特征码 “**” =Internal use.



环氧粉末包封型金属化聚丙烯膜电容器---CBB21(MPP)系列

Metallized Polypropylene Film Capacitors(Dipped)---CBB21(MPP)series

料号明细及尺寸 Part No. List and Dimensions

U _R :400 (450) Vdc							
成品编码 Part No.	系列 Series	容量 Capacitance (μ F)	尺寸 Dimension (mm)				
			Wmax	Tmax	Hmax	P \pm 0.5	d \pm 0.05
MPP225J##1910198**	CBB21	2.2	18	11.5	20.0	15	0.8
MPP275J##1911218**	CBB21	2.7	18	12.0	22.0	15	0.8
MPP335J##1912228**	CBB21	3.3	18	14.5	24.0	15	0.8
MPP105J##2406116**	CBB21	1.0	23	7.5	12.5	20	0.6
MPP125J##2407128**	CBB21	1.2	23	8.0	13.0	20	0.8
MPP155J##2407148**	CBB21	1.5	23	8.5	15.0	20	0.8
MPP185J##2408158**	CBB21	1.8	23	9.0	15.5	20	0.8
MPP225J##2408178**	CBB21	2.2	23	9.0	17.5	20	0.8
MPP275J##2409188**	CBB21	2.7	23	10.0	18.5	20	0.8
MPP335J##2410198**	CBB21	3.3	23	11.5	20.0	20	0.8
MPP395J##2411218**	CBB21	3.9	23	12.0	22.0	20	0.8
MPP475J##2412228**	CBB21	4.7	23	13.5	23.5	20	0.8
MPP565J##2414248**	CBB21	5.6	23	14.5	25.0	20	0.8
MPP685J##2415258**	CBB21	6.8	23	16.5	26.5	20	0.8
MPP825J##2416298**	CBB21	8.2	23	17.0	30.0	20	0.8
MPP106J##2418318**	CBB21	10.0	23	19.0	32.0	20	0.8
MPP185J##2907138**	CBB21	1.8	28	7.5	14.5	25	0.8
MPP225J##2907148**	CBB21	2.2	28	9.0	17.5	25	0.8
MPP275J##2908158**	CBB21	2.7	28	9.5	18.0	25	0.8
MPP335J##2909178**	CBB21	3.3	28	10.5	18.5	25	0.8
MPP395J##2910188**	CBB21	3.9	28	11.0	19.0	25	0.8
MPP475J##2910208**	CBB21	4.7	28	11.5	21.5	25	0.8
MPP685J##2913238**	CBB21	6.8	28	14.0	24.0	25	0.8
MPP825J##2915258**	CBB21	8.2	28	16.0	25.5	25	0.8
MPP106J##2915288**	CBB21	10.0	28	16.5	29.5	25	0.8
MPP126J##2917308**	CBB21	12.0	28	18.0	31.0	25	0.8
MPP156J##2919328**	CBB21	15.0	28	20.5	33.5	25	0.8
MPP335J##3508168**	CBB21	3.3	35	9.0	17.0	31	0.8
MPP395J##3508178**	CBB21	3.9	35	9.5	18.0	31	0.8
MPP475J##3509188**	CBB21	4.7	35	10.5	19.0	31	0.8

说明 Note:

1. “##” 表示标称电压 “##” =Rated voltage 2G=400V, 2W=450V
2. “**”表示内部特征码 “**” =Internal use.



环氧粉末包封型金属化聚丙烯膜电容器---CBB21(MPP)系列

Metallized Polypropylene Film Capacitors(Dipped)---CBB21(MPP)series

料号明细及尺寸 Part No. List and Dimensions

U _R :400 (450) Vdc							
成品编码 Part No.	系列 Series	容量 Capacitance (μF)	尺寸 Dimension (mm)				
			Wmax	Tmax	Hmax	P±0.5	d±0.05
MPP565J##3510208**	CBB21	5.6	34	11.0	21.0	31	0.8
MPP685J##3511218**	CBB21	6.8	34	12.5	22.5	31	0.8
MPP825J##3513238**	CBB21	8.2	34	14.0	24.0	31	0.8
MPP106J##3514248**	CBB21	10.0	34	15.5	25.5	31	0.8
MPP126J##3514288**	CBB21	12.0	34	16.0	29.0	31	0.8
MPP156J##3517308**	CBB21	15.0	34	18.0	31.0	31	0.8
MPP186J##3519328**	CBB21	18.0	34	20.0	33.0	31	0.8
MPP226J##3521348**	CBB21	22.0	34	22.0	35.0	31	0.8

说明 Note:

1. “##” 表示标称电压 “##” =Rated voltage 2G=400V, 2W=450V
2. “**”表示内部特征码 “**”=Internal use.

U _R :630Vdc							
成品编码 Part No.	系列 Series	容量 Capacitance (μF)	尺寸 Dimension (mm)				
			Wmax	Tmax	Hmax	P±0.5	d±0.05
MPP102J2J1004075**	CBB21	0.001	10.0	4.5	7.5	7.5	0.5
MPP122J2J1004075**	CBB21	0.0012	10.0	4.5	8.0	7.5	0.5
MPP152J2J1004075**	CBB21	0.0015	10.0	5.0	8.5	7.5	0.5
MPP182J2J1004075**	CBB21	0.0018	10.0	5.5	9.0	7.5	0.5
MPP222J2J1004075**	CBB21	0.0022	10.0	5.5	8.0	7.5	0.5
MPP272J2J1004075**	CBB21	0.0027	10.0	5.5	8.5	7.5	0.5
MPP332J2J1004075**	CBB21	0.0033	10.0	5.5	8.5	7.5	0.5
MPP392J2J1004075**	CBB21	0.0039	10.0	5.5	8.5	7.5	0.5
MPP472J2J1004075**	CBB21	0.0047	10.0	6.5	9.5	7.5	0.5
MPP562J2J1004075**	CBB21	0.0056	10.0	5.0	8.5	7.5	0.5
MPP682J2J1004075**	CBB21	0.0068	10.0	5.5	8.5	7.5	0.5
MPP822J2J1004085**	CBB21	0.0082	10.0	5.5	9.0	7.5	0.5
MPP103J2J1004075**	CBB21	0.01	10.0	5.0	8.5	7.5	0.5
MPP123J2J1004075**	CBB21	0.012	10.0	5.5	9.0	7.5	0.5
MPP153J2J1004075**	CBB21	0.015	10.0	5.5	9.0	7.5	0.5
MPP183J2J1004075**	CBB21	0.018	10.0	5.5	8.5	7.5	0.5
MPP223J2J1004075**	CBB21	0.022	10.0	5.5	9.0	7.5	0.5
MPP273J2J1004075**	CBB21	0.027	10.0	6.0	9.5	7.5	0.5



环氧粉末包封型金属化聚丙烯膜电容器---CBB21(MPP)系列
Metallized Polypropylene Film Capacitors(Dipped)---CBB21(MPP)series

■料号明细及尺寸 Part No. List and Dimensions

U _R :630Vdc							
成品编码 Part No.	系列 Series	容量 Capacitance (μ F)	尺寸 Dimension (mm)				
			Wmax	Tmax	Hmax	P \pm 0.5	d \pm 0.05
MPP333J2J1004075**	CBB21	0.033	10.0	5.5	8.5	7.5	0.5
MPP393J2J1004075**	CBB21	0.039	10.0	5.5	9.0	7.5	0.5
MPP473J2J1004075**	CBB21	0.047	10.0	5.5	8.5	7.5	0.5
MPP563J2J1004075**	CBB21	0.056	10.0	6.0	9.0	7.5	0.5
MPP683J2J1005085**	CBB21	0.068	10.0	6.0	9.0	7.5	0.5
MPP823J2J1004105**	CBB21	0.082	10.0	6.5	11.5	7.5	0.5
MPP104J2J1005105**	CBB21	0.1	10.0	6.5	11.5	7.5	0.5
MPP124J2J1005115**	CBB21	0.12	10.0	7.0	12.0	7.5	0.5
MPP154J2J1006125**	CBB21	0.15	10.0	6.5	13.5	7.5	0.5
MPP184J2J1006135**	CBB21	0.18	10.0	7.0	14.0	7.5	0.5
MPP224J2J1007145**	CBB21	0.22	10.0	8.0	15.0	7.5	0.5
MPP102J2J1304075**	CBB21	0.001	13.0	5.0	9.0	10.0	0.5
MPP122J2J1304075**	CBB21	0.0012	13.0	5.5	9.5	10.0	0.5
MPP152J2J1304085**	CBB21	0.0015	13.0	5.5	9.0	10.0	0.5
MPP182J2J1304075**	CBB21	0.0018	13.0	5.0	8.5	10.0	0.5
MPP222J2J1304075**	CBB21	0.0022	13.0	5.5	8.5	10.0	0.5
MPP272J2J1304075**	CBB21	0.0027	13.0	5.0	8.5	10.0	0.5
MPP332J2J1304085**	CBB21	0.0033	13.0	5.5	9.0	10.0	0.5
MPP392J2J1304075**	CBB21	0.0039	13.0	5.5	8.5	10.0	0.5
MPP472J2J1304085**	CBB21	0.0047	13.0	5.5	8.5	10.0	0.5
MPP562J2J1304075**	CBB21	0.0056	13.0	5.5	8.5	10.0	0.5
MPP682J2J1304075**	CBB21	0.0068	13.0	5.5	8.5	10.0	0.5
MPP822J2J1304075**	CBB21	0.0082	13.0	5.5	8.5	10.0	0.5
MPP103J2J1304085**	CBB21	0.01	13.0	5.5	8.5	10.0	0.5
MPP123J2J1304095**	CBB21	0.012	13.0	5.5	10.5	10.0	0.5
MPP153J2J1304075**	CBB21	0.015	13.0	5.0	8.5	10.0	0.5
MPP183J2J1304075**	CBB21	0.018	13.0	5.5	9.5	10.0	0.5
MPP223J2J1304075**	CBB21	0.022	13.0	6.0	9.0	10.0	0.5
MPP273J2J1304075**	CBB21	0.027	13.0	5.5	9.5	10.0	0.5
MPP333J2J1304075**	CBB21	0.033	13.0	5.5	9.0	10.0	0.5

说明 Note: “**”表示内部特征码 “***”=Internal use.



环氧粉末包封型金属化聚丙烯膜电容器---CBB21(MPP)系列
Metallized Polypropylene Film Capacitors(Dipped)---CBB21(MPP)series

■料号明细及尺寸 Part No. List and Dimensions

U _R :630Vdc							
成品编码 Part No.	系列 Series	容量 Capacitance (μ F)	尺寸 Dimension (mm)				
			Wmax	Tmax	Hmax	P \pm 0.5	d \pm 0.05
MPP393J2J1304075**	CBB21	0.039	13.0	5.5	9.0	10.0	0.5
MPP473J2J1304075**	CBB21	0.047	13.0	5.5	9.0	10.0	0.5
MPP563J2J1304075**	CBB21	0.056	13.0	5.5	9.0	10.0	0.5
MPP683J2J1304075**	CBB21	0.068	13.0	5.0	8.5	10.0	0.5
MPP823J2J1304075**	CBB21	0.082	13.0	5.5	9.0	10.0	0.5
MPP104J2J1304095**	CBB21	0.1	13.0	5.5	10.5	10.0	0.5
MPP124J2J1304105**	CBB21	0.12	13.0	5.5	10.5	10.0	0.5
MPP154J2J1305105**	CBB21	0.15	13.0	6.5	12.0	10.0	0.5
MPP184J2J1306116**	CBB21	0.18	13.0	7.0	12.0	10.0	0.6
MPP224J2J1306126**	CBB21	0.22	13.0	7.5	14.5	10.0	0.6
MPP274J2J1306136**	CBB21	0.27	13.0	7.5	14.5	10.0	0.6
MPP334J2J1307146**	CBB21	0.33	13.0	8.5	15.5	10.0	0.6
MPP394J2J1307166**	CBB21	0.39	13.0	8.5	16.5	10.0	0.6
MPP474J2J1308176**	CBB21	0.47	13.0	9.5	18.0	10.0	0.6
MPP224J2J1904106**	CBB21	0.22	18.0	6.0	11.0	15.0	0.6
MPP274J2J1905106**	CBB21	0.27	18.0	6.5	11.5	15.0	0.6
MPP334J2J1905126**	CBB21	0.33	18.0	6.5	13.0	15.0	0.6
MPP394J2J1906126**	CBB21	0.39	18.0	7.0	13.5	15.0	0.6
MPP474J2J1906136**	CBB21	0.47	18.0	7.5	14.5	15.0	0.6
MPP564J2J1907148**	CBB21	0.56	18.0	8.0	15.0	15.0	0.8
MPP684J2J1907168**	CBB21	0.68	18.0	8.5	17.0	15.0	0.8
MPP824J2J1908178**	CBB21	0.82	18.0	9.0	17.5	15.0	0.8
MPP105J2J1909198**	CBB21	1.0	18.0	9.5	19.5	15.0	0.8
MPP125J2J1910208**	CBB21	1.2	18.0	11.0	21.0	15.0	0.8
MPP155J2J1911218**	CBB21	1.5	18.0	12.5	22.5	15.0	0.8
MPP474J2J2406116**	CBB21	0.47	23.0	7.0	12.0	20.0	0.6
MPP564J2J2406116**	CBB21	0.56	23.0	7.5	13.5	20.0	0.6
MPP684J2J2406136**	CBB21	0.68	23.0	7.5	14.0	20.0	0.6
MPP824J2J2407148**	CBB21	0.82	23.0	8.0	15.0	20.0	0.8
MPP105J2J2407168**	CBB21	1.0	23.0	9.5	17.5	20.0	0.8
MPP125J2J2408178**	CBB21	1.2	23.0	9.5	18.0	20.0	0.8

说明 Note: “**”表示内部特征码

“***”=Internal use.



环氧粉末包封型金属化聚丙烯膜电容器---CBB21(MPP)系列
Metallized Polypropylene Film Capacitors(Dipped)---CBB21(MPP)series

■料号明细及尺寸 Part No. List and Dimensions

U _R :630Vdc							
成品编码 Part No.	系列 Series	容量 Capacitance (μ F)	尺寸 Dimension (mm)				
			Wmax	Tmax	Hmax	P \pm 0.5	d \pm 0.05
MPP155J2J2409188**	CBB21	1.5	23.0	11.0	19.0	20.0	0.8
MPP185J2J2410208**	CBB21	1.8	23.0	11.5	21.0	20.0	0.8
MPP225J2J2411218**	CBB21	2.2	23.0	13.0	23.0	20.0	0.8
MPP275J2J2413238**	CBB21	2.7	23.0	14.5	24.5	20.0	0.8
MPP335J2J2415248**	CBB21	3.3	23.0	16.0	26.0	20.0	0.8
MPP395J2J2415288**	CBB21	3.9	23.0	16.0	29.0	20.0	0.8
MPP475J2J2416308**	CBB21	4.7	23.0	17.5	30.5	20.0	0.8
MPP105J2J2907148**	CBB21	1.0	28.0	8.5	15.0	25.0	0.8
MPP125J2J2908148**	CBB21	1.2	28.0	9.0	15.5	25.0	0.8
MPP155J2J2908168**	CBB21	1.5	28.0	9.0	17.5	25.0	0.8
MPP185J2J2909178**	CBB21	1.8	28.0	10.0	18.5	25.0	0.8
MPP225J2J2910191**	CBB21	2.2	28.0	11.0	19.5	25.0	1.0
MPP275J2J2911211**	CBB21	2.7	28.0	12.5	22.5	25.0	1.0
MPP335J2J2912221**	CBB21	3.3	28.0	12.5	23.5	25.0	1.0
MPP395J2J2914241**	CBB21	3.9	28.0	14.5	24.5	25.0	1.0
MPP475J2J2915251**	CBB21	4.7	28.0	16.5	26.5	25.0	1.0
MPP565J2J2916291**	CBB21	5.6	28.0	16.5	29.5	25.0	1.0
MPP685J2J2917311**	CBB21	6.8	28.0	18.5	32.0	25.0	1.0
MPP185J2J3508168**	CBB21	1.8	34.0	9.0	17.0	31.0	0.8
MPP225J2J3509171**	CBB21	2.2	34.0	9.5	18.0	31.0	1.0
MPP275J2J3509191**	CBB21	2.7	34.0	10.5	20.5	31.0	1.0
MPP335J2J3510201**	CBB21	3.3	34.0	10.5	21.5	31.0	1.0
MPP395J2J3512221**	CBB21	3.9	34.0	13.0	23.0	31.0	1.0
MPP475J2J3513231**	CBB21	4.7	34.0	15.5	25.5	31.0	1.0
MPP565J2J3513261**	CBB21	5.6	34.0	15.0	27.5	31.0	1.0
MPP685J2J3515281**	CBB21	6.8	34.0	16.0	29.0	31.0	1.0
MPP825J2J3517301**	CBB21	8.2	34.0	18.0	31.0	31.0	1.0
MPP106J2J3519321**	CBB21	10.0	34.0	20.5	33.5	31.0	1.0

说明 Note: “**”表示内部特征码 “***”=Internal use.

Note: We can customize the capacitors according to customers special requirements.

X-ON Electronics

Largest Supplier of Electrical and Electronic Components

Click to view similar products for [Film Capacitors](#) category:

Click to view products by [Sincerity](#) manufacturer:

Other Similar products are found below :

[M83421/01-3089R](#) [703-6G](#) [F450KG153J250ALH0J](#) [750-1018](#) [FKP1-1000160010P15](#) [FKP1-1500160010P15](#) [FKP1U024707E00KYSD](#)
[82EC1100DQ50K](#) [MMWAF150KME](#) [PCY2130F30153](#) [PME261JB5220KR19T0](#) [A521HH333M035C](#) [QXJ2E474KTPT](#) [QXL2B333KTPT](#)
[QXM2G104K](#) [B32234-.033@250V-K](#) [B32520C6332K000](#) [B32522C6104K000](#) [B32523Q3155J](#) [B32676E6755K](#) [B81133-C1104-M3](#)
[MTC355L1](#) [217-0716-001](#) [PA225L30](#) [221A10-120](#) [CB182K0184J--](#) [KP1830-247/061-G](#) [SCD105K122A3-22](#) [SCD205K122A3-24](#)
[F601BL225K063CL60A](#) [PCX2339F65224](#) [PCX2339F65334](#) [2222 368 55105](#) [2222 370 21683](#) [QXL2E473KTPT](#) [445450-1](#) [B32524Q6155J](#)
[46KI3100JBM1K](#) [MKP 1839-215-633](#) [MKP 1840-447-165](#) [MKP383510063JKP2T0](#) [MKT182022263473](#) [WMC08P22](#) [YE333](#) [ECQ-](#)
[W4223KZ](#) [EEC2G805HQA415](#) [PA103L30](#) [82DC3100DQ50J](#) [82EC2150DQ50K](#) [WMF1D68](#)