



# 环氧粉末包封型金属化聚丙烯膜电容器---CBB21(MPP)系列

## Metallized Polypropylene Film Capacitors(Dipped )---CBB21(MPP)series

### 引用标准 Reference standards

GB10190(IEC384-16)

### 结构 Structure

介质：聚丙烯膜

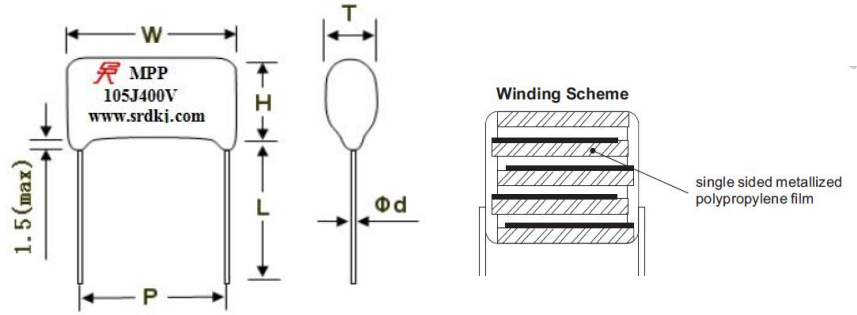
电极：金属真空蒸发层

封装：阻燃粉末环氧树脂，符合 UL94 V-0

Dielectric: Polypropylene film

Electrode: metal vacuum evaporation layer

Encapsulation: Flame retardant power epoxy resin, conforming to UL94 V-0



### 典型应用 Typical Application

用于开关电源，电子镇流器和变频器等中间电路直流滤波（如 DC filter,DC-link,PFC 等）

As intermediate circuit capacitor for SMPS, LED driver, inverter (i.e. DC filter,DC-link, DC filter and P.F.C)

### 特点 Features

有良好自愈性能，缩小产品尺寸，高频损耗小，温升低

Reduced size depended on good self-healing property, low dissipation at high frequency, low temperature rise

### 符合 RoHS 及 REACH 环保标准 Compliance with RoHs & REACH requirements.

### 电性能规范 Performance Specifications

|   |   |      |     |   |     |     |     |
|---|---|------|-----|---|-----|-----|-----|
| 气候类别 Climate category                         | 40/105/56   |      |     |   |     |     |     |
| 额定温度 Rated Temperature                        | 85°C  |      |     |   |     |     |     |
| 工作温度范围<br>Operating Temperature range         | -40°C--+105°C.<br>(+85°C~+105°C): decreasing factor 1.5% per °C for R.V(DC)<br>(+85°C~+105°C): 额定电压降额使用系数 1.5% per °C for R.V(DC) |      |     |   |     |     |     |
| 额定电压 Rated Voltage                            | 400(450)VDC, 630VDC   |      |     |   |     |     |     |
| 容量误差 Capacitance Tolerance                    | J: ±5%  |      |     |   |     |     |     |
| 容量范围<br>Capacitance Range                     | 0.001μF~22μF<br>测试条件 Test Condition: 20°C, 1KHz, 1Vrms  |      |     |   |     |     |     |
| 耐电压<br>Withstand Voltage                      | 1.6U <sub>R</sub> ,5S   |      |     | 无击穿或飞弧<br>No breakdown or electric arcing |     |     |     |
| 损耗角 Dissipation factor                        | ≤0.001 (1KHz)   |      |     | 测试条件 Test Condition : 20°C 1Vrms          |     |     |     |
| 绝缘电阻或时间常数<br>Insulation Resistance            | C <sub>R</sub> ≤0.33μF IR≥30000MΩ<br>C <sub>R</sub> >0.33μF IR≥10000S   |      |     | 测试条件 Test Condition :<br>20°C 100V 1 min  |     |     |     |
| 最大脉冲爬升速率<br>Max. Pulse Rise Time<br>(dV / dt) | U <sub>R</sub> (V)  | P7.5 | P10 | P15                                       | P20 | P25 | P31 |
|   | 400(450)V   | 120  | 80  | 65  | 35  | 20  | 10  |
|   | 630V  | 150  | 120 | 80  | 60  | 40  | 20  |



# 环氧粉末包封型金属化聚丙烯膜电容器---CBB21(MPP)系列

## Metallized Polypropylene Film Capacitors(Dipped )---CBB21(MPP)series

### 电性能规范 Performance Specifications

|  |   |   |
|--|---|---|
| 稳态湿热<br>Steady-state<br>Damp-heat Test | 温度 Temp.: 40±2℃<br>相对湿度 Humidity: 93%RH<br>持续时间 Duration Time: 56 Days                  | 无可见损伤, 标志清晰<br>no visible damage, clear mark<br>绝缘电阻 IR: ≥ 额定值的 50%<br>IR: ≥ 50% of Rated value<br>容量变化 (相对初始值):<br>Capacitance change (relative to the initial value): $\Delta C/C \leq \pm 5\%$<br>损耗角增加 Dissipation factor:<br>Rise $\leq 0.0020$ (1KHz), $C_R > 1\mu F$ |
| 耐久性试验<br>Endurance Test                | 温度 Temp.: +85℃,<br>电压 Voltage:<br>1.25 Times Rated Voltage<br>持续时间 Duration Time: 1000H | 绝缘电阻 Insulation Resistance<br>IR: ≥ 额定值的 50%<br>IR: ≥ 50% of rated value<br>损耗角增加: $\leq 0.0040$<br>dissipation factor rise: $\leq 0.0040$<br>容量变化 (相对初始值): $\Delta C/C \leq \pm 10\%$<br>Capacitance change<br>(relative to the initial value): $\Delta C/C \leq \pm 10\%$ |

### 产品编码说明 Part No. Description:

18 位产品编码如下:

The Part No. Is total 18 digits, details as follow:

|   |   |   |   |   |   |   |   |   |    |    |    |    |    |    |    |    |    |
|---|---|---|---|---|---|---|---|---|----|----|----|----|----|----|----|----|----|
| 1 | 2 | 3 | 4 | 5 | 6 | 7 | 8 | 9 | 10 | 11 | 12 | 13 | 14 | 15 | 16 | 17 | 18 |
| M | P | P | 1 | 0 | 5 | J | 2 | G | 1  | 9  | 0  | 7  | 1  | 4  | 8  | *  | *  |

- Digit 1-3 型号代码 Product series Code MPP= CBB21 series
- Digit 4-6 标称容量 Rated Capacitance Value For example : 105 =  $10 \times 10^5 \mu F = 1.0 \mu F$
- Digit 7 容量偏差 Capacitance Tolerance J=±5%
- Digit 8-9 额定电压 Rated Voltage Code 2G=400VDC 2W=450VDC 2J=630VDC
- Digit 10-15 外形尺寸 Dimensions Code
- Digit 16 线径代码 Line diameter code 6=0.6 8=0.8 1=1.0
- Digit 17-18 成型或内部识别码 Forming Type or Internal Use



环氧粉末包封型金属化聚丙烯膜电容器---CBB21(MPP)系列  
Metallized Polypropylene Film Capacitors(Dipped )---CBB21(MPP)series

■ 料号明细及尺寸 Part No. List and Dimensions

| U <sub>R</sub> :400 (450) Vdc |              |                                 |                   |      |      |             |              |
|-------------------------------|--------------|---------------------------------|-------------------|------|------|-------------|--------------|
| 成品编码<br>Part No.              | 系列<br>Series | 容量<br>Capacitance<br>( $\mu$ F) | 尺寸 Dimension (mm) |      |      |             |              |
|                               |              |                                 | Wmax              | Tmax | Hmax | P $\pm$ 0.5 | d $\pm$ 0.05 |
| MPP823J##1004075**            | CBB21        | 0.082                           | 10                | 5.0  | 8.0  | 7.5         | 0.5          |
| MPP104J##1004075**            | CBB21        | 0.1                             | 10                | 5.5  | 8.5  | 7.5         | 0.5          |
| MPP124J##1004085**            | CBB21        | 0.12                            | 10                | 5.5  | 9.0  | 7.5         | 0.5          |
| MPP154J##1005085**            | CBB21        | 0.15                            | 10                | 6.0  | 9.5  | 7.5         | 0.5          |
| MPP184J##1005105**            | CBB21        | 0.18                            | 10                | 6.0  | 10.5 | 7.5         | 0.5          |
| MPP224J##1005105**            | CBB21        | 0.22                            | 10                | 6.5  | 11.5 | 7.5         | 0.5          |
| MPP274J##1006115**            | CBB21        | 0.27                            | 10                | 7.0  | 12.0 | 7.5         | 0.5          |
| MPP334J##1006135**            | CBB21        | 0.33                            | 10                | 7.5  | 14.0 | 7.5         | 0.5          |
| MPP394J##1007145**            | CBB21        | 0.39                            | 10                | 8.0  | 14.5 | 7.5         | 0.5          |
| MPP474J##1008155**            | CBB21        | 0.47                            | 10                | 9.0  | 15.5 | 7.5         | 0.5          |
| MPP124J##1304075**            | CBB21        | 0.12                            | 13                | 5.0  | 8.5  | 10          | 0.5          |
| MPP154J##1304075**            | CBB21        | 0.15                            | 13                | 5.5  | 8.5  | 10          | 0.5          |
| MPP184J##1304085**            | CBB21        | 0.18                            | 13                | 6.0  | 9.0  | 10          | 0.5          |
| MPP224J##1305085**            | CBB21        | 0.22                            | 13                | 6.5  | 10.5 | 10          | 0.5          |
| MPP274J##1305105**            | CBB21        | 0.27                            | 13                | 6.5  | 10.5 | 10          | 0.5          |
| MPP334J##1305115**            | CBB21        | 0.33                            | 13                | 7.5  | 12.5 | 10          | 0.5          |
| MPP394J##1306116**            | CBB21        | 0.39                            | 13                | 8.0  | 13.0 | 10          | 0.6          |
| MPP474J##1306136**            | CBB21        | 0.47                            | 13                | 7.5  | 14.5 | 10          | 0.6          |
| MPP564J##1307146**            | CBB21        | 0.56                            | 13                | 8.5  | 15.5 | 10          | 0.6          |
| MPP684J##1308156**            | CBB21        | 0.68                            | 13                | 9.5  | 16.0 | 10          | 0.6          |
| MPP824J##1308166**            | CBB21        | 0.82                            | 13                | 9.5  | 16.5 | 10          | 0.6          |
| MPP105J##1309176**            | CBB21        | 1.0                             | 13                | 10.5 | 18.5 | 10          | 0.6          |
| MPP474J##1905106**            | CBB21        | 0.47                            | 18                | 6.5  | 11.5 | 15          | 0.6          |
| MPP564J##1905106**            | CBB21        | 0.56                            | 18                | 6.5  | 12.0 | 15          | 0.6          |
| MPP684J##1906116**            | CBB21        | 0.68                            | 18                | 7.5  | 12.5 | 15          | 0.6          |
| MPP824J##1907128**            | CBB21        | 0.82                            | 18                | 8.5  | 13.0 | 15          | 0.8          |
| MPP105J##1907148**            | CBB21        | 1.0                             | 18                | 8.5  | 15.0 | 15          | 0.8          |
| MPP125J##1908148**            | CBB21        | 1.2                             | 18                | 9.0  | 15.5 | 15          | 0.8          |
| MPP155J##1908168**            | CBB21        | 1.5                             | 18                | 9.5  | 17.5 | 15          | 0.8          |
| MPP185J##1909178**            | CBB21        | 1.8                             | 18                | 10.0 | 18.0 | 15          | 0.8          |

说明 Note:

1. “##” 表示标称电压 “##” =Rated voltage 2G=400V, 2W=450V
2. “\*\*”表示内部特征码 “\*\*”=Internal use.







环氧粉末包封型金属化聚丙烯膜电容器---CBB21(MPP)系列  
Metallized Polypropylene Film Capacitors(Dipped )---CBB21(MPP)series

■料号明细及尺寸 Part No. List and Dimensions

| U <sub>R</sub> :630Vdc |              |                                 |                   |      |      |             |              |
|------------------------|--------------|---------------------------------|-------------------|------|------|-------------|--------------|
| 成品编码<br>Part No.       | 系列<br>Series | 容量<br>Capacitance<br>( $\mu$ F) | 尺寸 Dimension (mm) |      |      |             |              |
|                        |              |                                 | Wmax              | Tmax | Hmax | P $\pm$ 0.5 | d $\pm$ 0.05 |
| MPP333J2J1004075**     | CBB21        | 0.033                           | 10.0              | 5.5  | 8.5  | 7.5         | 0.5          |
| MPP393J2J1004075**     | CBB21        | 0.039                           | 10.0              | 5.5  | 9.0  | 7.5         | 0.5          |
| MPP473J2J1004075**     | CBB21        | 0.047                           | 10.0              | 5.5  | 8.5  | 7.5         | 0.5          |
| MPP563J2J1004075**     | CBB21        | 0.056                           | 10.0              | 6.0  | 9.0  | 7.5         | 0.5          |
| MPP683J2J1005085**     | CBB21        | 0.068                           | 10.0              | 6.0  | 9.0  | 7.5         | 0.5          |
| MPP823J2J1004105**     | CBB21        | 0.082                           | 10.0              | 6.5  | 11.5 | 7.5         | 0.5          |
| MPP104J2J1005105**     | CBB21        | 0.1                             | 10.0              | 6.5  | 11.5 | 7.5         | 0.5          |
| MPP124J2J1005115**     | CBB21        | 0.12                            | 10.0              | 7.0  | 12.0 | 7.5         | 0.5          |
| MPP154J2J1006125**     | CBB21        | 0.15                            | 10.0              | 6.5  | 13.5 | 7.5         | 0.5          |
| MPP184J2J1006135**     | CBB21        | 0.18                            | 10.0              | 7.0  | 14.0 | 7.5         | 0.5          |
| MPP224J2J1007145**     | CBB21        | 0.22                            | 10.0              | 8.0  | 15.0 | 7.5         | 0.5          |
| MPP102J2J1304075**     | CBB21        | 0.001                           | 13.0              | 5.0  | 9.0  | 10.0        | 0.5          |
| MPP122J2J1304075**     | CBB21        | 0.0012                          | 13.0              | 5.5  | 9.5  | 10.0        | 0.5          |
| MPP152J2J1304085**     | CBB21        | 0.0015                          | 13.0              | 5.5  | 9.0  | 10.0        | 0.5          |
| MPP182J2J1304075**     | CBB21        | 0.0018                          | 13.0              | 5.0  | 8.5  | 10.0        | 0.5          |
| MPP222J2J1304075**     | CBB21        | 0.0022                          | 13.0              | 5.5  | 8.5  | 10.0        | 0.5          |
| MPP272J2J1304075**     | CBB21        | 0.0027                          | 13.0              | 5.0  | 8.5  | 10.0        | 0.5          |
| MPP332J2J1304085**     | CBB21        | 0.0033                          | 13.0              | 5.5  | 9.0  | 10.0        | 0.5          |
| MPP392J2J1304075**     | CBB21        | 0.0039                          | 13.0              | 5.5  | 8.5  | 10.0        | 0.5          |
| MPP472J2J1304085**     | CBB21        | 0.0047                          | 13.0              | 5.5  | 8.5  | 10.0        | 0.5          |
| MPP562J2J1304075**     | CBB21        | 0.0056                          | 13.0              | 5.5  | 8.5  | 10.0        | 0.5          |
| MPP682J2J1304075**     | CBB21        | 0.0068                          | 13.0              | 5.5  | 8.5  | 10.0        | 0.5          |
| MPP822J2J1304075**     | CBB21        | 0.0082                          | 13.0              | 5.5  | 8.5  | 10.0        | 0.5          |
| MPP103J2J1304085**     | CBB21        | 0.01                            | 13.0              | 5.5  | 8.5  | 10.0        | 0.5          |
| MPP123J2J1304095**     | CBB21        | 0.012                           | 13.0              | 5.5  | 10.5 | 10.0        | 0.5          |
| MPP153J2J1304075**     | CBB21        | 0.015                           | 13.0              | 5.0  | 8.5  | 10.0        | 0.5          |
| MPP183J2J1304075**     | CBB21        | 0.018                           | 13.0              | 5.5  | 9.5  | 10.0        | 0.5          |
| MPP223J2J1304075**     | CBB21        | 0.022                           | 13.0              | 6.0  | 9.0  | 10.0        | 0.5          |
| MPP273J2J1304075**     | CBB21        | 0.027                           | 13.0              | 5.5  | 9.5  | 10.0        | 0.5          |
| MPP333J2J1304075**     | CBB21        | 0.033                           | 13.0              | 5.5  | 9.0  | 10.0        | 0.5          |

说明 Note: “\*\*”表示内部特征码 “\*\*\*”=Internal use.



环氧粉末包封型金属化聚丙烯膜电容器---CBB21(MPP)系列  
Metallized Polypropylene Film Capacitors(Dipped )---CBB21(MPP)series

■料号明细及尺寸 Part No. List and Dimensions

| U <sub>R</sub> :630Vdc |              |                           |                   |      |      |       |        |
|------------------------|--------------|---------------------------|-------------------|------|------|-------|--------|
| 成品编码<br>Part No.       | 系列<br>Series | 容量<br>Capacitance<br>(μF) | 尺寸 Dimension (mm) |      |      |       |        |
|                        |              |                           | Wmax              | Tmax | Hmax | P±0.5 | d±0.05 |
| MPP393J2J1304075**     | CBB21        | 0.039                     | 13.0              | 5.5  | 9.0  | 10.0  | 0.5    |
| MPP473J2J1304075**     | CBB21        | 0.047                     | 13.0              | 5.5  | 9.0  | 10.0  | 0.5    |
| MPP563J2J1304075**     | CBB21        | 0.056                     | 13.0              | 5.5  | 9.0  | 10.0  | 0.5    |
| MPP683J2J1304075**     | CBB21        | 0.068                     | 13.0              | 5.0  | 8.5  | 10.0  | 0.5    |
| MPP823J2J1304075**     | CBB21        | 0.082                     | 13.0              | 5.5  | 9.0  | 10.0  | 0.5    |
| MPP104J2J1304095**     | CBB21        | 0.1                       | 13.0              | 5.5  | 10.5 | 10.0  | 0.5    |
| MPP124J2J1304105**     | CBB21        | 0.12                      | 13.0              | 5.5  | 10.5 | 10.0  | 0.5    |
| MPP154J2J1305105**     | CBB21        | 0.15                      | 13.0              | 6.5  | 12.0 | 10.0  | 0.5    |
| MPP184J2J1306116**     | CBB21        | 0.18                      | 13.0              | 7.0  | 12.0 | 10.0  | 0.6    |
| MPP224J2J1306126**     | CBB21        | 0.22                      | 13.0              | 7.5  | 14.5 | 10.0  | 0.6    |
| MPP274J2J1306136**     | CBB21        | 0.27                      | 13.0              | 7.5  | 14.5 | 10.0  | 0.6    |
| MPP334J2J1307146**     | CBB21        | 0.33                      | 13.0              | 8.5  | 15.5 | 10.0  | 0.6    |
| MPP394J2J1307166**     | CBB21        | 0.39                      | 13.0              | 8.5  | 16.5 | 10.0  | 0.6    |
| MPP474J2J1308176**     | CBB21        | 0.47                      | 13.0              | 9.5  | 18.0 | 10.0  | 0.6    |
| MPP224J2J1904106**     | CBB21        | 0.22                      | 18.0              | 6.0  | 11.0 | 15.0  | 0.6    |
| MPP274J2J1905106**     | CBB21        | 0.27                      | 18.0              | 6.5  | 11.5 | 15.0  | 0.6    |
| MPP334J2J1905126**     | CBB21        | 0.33                      | 18.0              | 6.5  | 13.0 | 15.0  | 0.6    |
| MPP394J2J1906126**     | CBB21        | 0.39                      | 18.0              | 7.0  | 13.5 | 15.0  | 0.6    |
| MPP474J2J1906136**     | CBB21        | 0.47                      | 18.0              | 7.5  | 14.5 | 15.0  | 0.6    |
| MPP564J2J1907148**     | CBB21        | 0.56                      | 18.0              | 8.0  | 15.0 | 15.0  | 0.8    |
| MPP684J2J1907168**     | CBB21        | 0.68                      | 18.0              | 8.5  | 17.0 | 15.0  | 0.8    |
| MPP824J2J1908178**     | CBB21        | 0.82                      | 18.0              | 9.0  | 17.5 | 15.0  | 0.8    |
| MPP105J2J1909198**     | CBB21        | 1.0                       | 18.0              | 9.5  | 19.5 | 15.0  | 0.8    |
| MPP125J2J1910208**     | CBB21        | 1.2                       | 18.0              | 11.0 | 21.0 | 15.0  | 0.8    |
| MPP155J2J1911218**     | CBB21        | 1.5                       | 18.0              | 12.5 | 22.5 | 15.0  | 0.8    |
| MPP474J2J2406116**     | CBB21        | 0.47                      | 23.0              | 7.0  | 12.0 | 20.0  | 0.6    |
| MPP564J2J2406116**     | CBB21        | 0.56                      | 23.0              | 7.5  | 13.5 | 20.0  | 0.6    |
| MPP684J2J2406136**     | CBB21        | 0.68                      | 23.0              | 7.5  | 14.0 | 20.0  | 0.6    |
| MPP824J2J2407148**     | CBB21        | 0.82                      | 23.0              | 8.0  | 15.0 | 20.0  | 0.8    |
| MPP105J2J2407168**     | CBB21        | 1.0                       | 23.0              | 9.5  | 17.5 | 20.0  | 0.8    |
| MPP125J2J2408178**     | CBB21        | 1.2                       | 23.0              | 9.5  | 18.0 | 20.0  | 0.8    |

说明 Note: “\*\*”表示内部特征码

“\*\*\*”=Internal use.



环氧粉末包封型金属化聚丙烯膜电容器---CBB21(MPP)系列  
Metallized Polypropylene Film Capacitors(Dipped )---CBB21(MPP)series

■料号明细及尺寸 Part No. List and Dimensions

| U <sub>R</sub> :630Vdc |              |                                 |                   |      |      |             |              |
|------------------------|--------------|---------------------------------|-------------------|------|------|-------------|--------------|
| 成品编码<br>Part No.       | 系列<br>Series | 容量<br>Capacitance<br>( $\mu$ F) | 尺寸 Dimension (mm) |      |      |             |              |
|                        |              |                                 | Wmax              | Tmax | Hmax | P $\pm$ 0.5 | d $\pm$ 0.05 |
| MPP155J2J2409188**     | CBB21        | 1.5                             | 23.0              | 11.0 | 19.0 | 20.0        | 0.8          |
| MPP185J2J2410208**     | CBB21        | 1.8                             | 23.0              | 11.5 | 21.0 | 20.0        | 0.8          |
| MPP225J2J2411218**     | CBB21        | 2.2                             | 23.0              | 13.0 | 23.0 | 20.0        | 0.8          |
| MPP275J2J2413238**     | CBB21        | 2.7                             | 23.0              | 14.5 | 24.5 | 20.0        | 0.8          |
| MPP335J2J2415248**     | CBB21        | 3.3                             | 23.0              | 16.0 | 26.0 | 20.0        | 0.8          |
| MPP395J2J2415288**     | CBB21        | 3.9                             | 23.0              | 16.0 | 29.0 | 20.0        | 0.8          |
| MPP475J2J2416308**     | CBB21        | 4.7                             | 23.0              | 17.5 | 30.5 | 20.0        | 0.8          |
| MPP105J2J2907148**     | CBB21        | 1.0                             | 28.0              | 8.5  | 15.0 | 25.0        | 0.8          |
| MPP125J2J2908148**     | CBB21        | 1.2                             | 28.0              | 9.0  | 15.5 | 25.0        | 0.8          |
| MPP155J2J2908168**     | CBB21        | 1.5                             | 28.0              | 9.0  | 17.5 | 25.0        | 0.8          |
| MPP185J2J2909178**     | CBB21        | 1.8                             | 28.0              | 10.0 | 18.5 | 25.0        | 0.8          |
| MPP225J2J2910191**     | CBB21        | 2.2                             | 28.0              | 11.0 | 19.5 | 25.0        | 1.0          |
| MPP275J2J2911211**     | CBB21        | 2.7                             | 28.0              | 12.5 | 22.5 | 25.0        | 1.0          |
| MPP335J2J2912221**     | CBB21        | 3.3                             | 28.0              | 12.5 | 23.5 | 25.0        | 1.0          |
| MPP395J2J2914241**     | CBB21        | 3.9                             | 28.0              | 14.5 | 24.5 | 25.0        | 1.0          |
| MPP475J2J2915251**     | CBB21        | 4.7                             | 28.0              | 16.5 | 26.5 | 25.0        | 1.0          |
| MPP565J2J2916291**     | CBB21        | 5.6                             | 28.0              | 16.5 | 29.5 | 25.0        | 1.0          |
| MPP685J2J2917311**     | CBB21        | 6.8                             | 28.0              | 18.5 | 32.0 | 25.0        | 1.0          |
| MPP185J2J3508168**     | CBB21        | 1.8                             | 34.0              | 9.0  | 17.0 | 31.0        | 0.8          |
| MPP225J2J3509171**     | CBB21        | 2.2                             | 34.0              | 9.5  | 18.0 | 31.0        | 1.0          |
| MPP275J2J3509191**     | CBB21        | 2.7                             | 34.0              | 10.5 | 20.5 | 31.0        | 1.0          |
| MPP335J2J3510201**     | CBB21        | 3.3                             | 34.0              | 10.5 | 21.5 | 31.0        | 1.0          |
| MPP395J2J3512221**     | CBB21        | 3.9                             | 34.0              | 13.0 | 23.0 | 31.0        | 1.0          |
| MPP475J2J3513231**     | CBB21        | 4.7                             | 34.0              | 15.5 | 25.5 | 31.0        | 1.0          |
| MPP565J2J3513261**     | CBB21        | 5.6                             | 34.0              | 15.0 | 27.5 | 31.0        | 1.0          |
| MPP685J2J3515281**     | CBB21        | 6.8                             | 34.0              | 16.0 | 29.0 | 31.0        | 1.0          |
| MPP825J2J3517301**     | CBB21        | 8.2                             | 34.0              | 18.0 | 31.0 | 31.0        | 1.0          |
| MPP106J2J3519321**     | CBB21        | 10.0                            | 34.0              | 20.5 | 33.5 | 31.0        | 1.0          |

说明 Note: “\*\*”表示内部特征码 “\*\*”=Internal use.

Note: We can customize the capacitors according to customers special requirements.



## X-ON Electronics

Largest Supplier of Electrical and Electronic Components

*Click to view similar products for [Film Capacitors](#) category:*

*Click to view products by [Sincerity](#) manufacturer:*

Other Similar products are found below :

[M83421/01-3089R](#) [703-6G](#) [F450KG153J250ALH0J](#) [750-1018](#) [FKP1-1000160010P15](#) [FKP1-1500160010P15](#) [FKP1U024707E00KYSD](#)  
[82EC1100DQ50K](#) [MMWAF150KME](#) [PCY2130F30153](#) [PME261JB5220KR19T0](#) [A521HH333M035C](#) [QXJ2E474KTPT](#) [QXL2B333KTPT](#)  
[QXM2G104K](#) [B32234-.033@250V-K](#) [B32520C6332K000](#) [B32522C6104K000](#) [B32523Q3155J](#) [B32676E6755K](#) [B81133-C1104-M3](#)  
[MTC355L1](#) [217-0716-001](#) [PA225L30](#) [221A10-120](#) [CB182K0184J--](#) [KP1830-247/061-G](#) [SCD105K122A3-22](#) [SCD205K122A3-24](#)  
[F601BL225K063CL60A](#) [PCX2339F65224](#) [PCX2339F65334](#) [2222 368 55105](#) [2222 370 21683](#) [QXL2E473KTPT](#) [445450-1](#) [B32524Q6155J](#)  
[46KI3100JBM1K](#) [MKP 1839-215-633](#) [MKP 1840-447-165](#) [MKP383510063JKP2T0](#) [MKT182022263473](#) [WMC08P22](#) [YE333](#) [ECQ-](#)  
[W4223KZ](#) [EEC2G805HQA415](#) [PA103L30](#) [82DC3100DQ50J](#) [82EC2150DQ50K](#) [WMF1D68](#)