



环氧粉末包封型金属化聚丙烯膜电容器---CBB21(MPP)系列

Metallized Polypropylene Film Capacitors(Dipped)---CBB21(MPP)series

引用标准 Reference standards

GB10190(IEC384-16)

结构 Structure

介质：聚丙烯膜

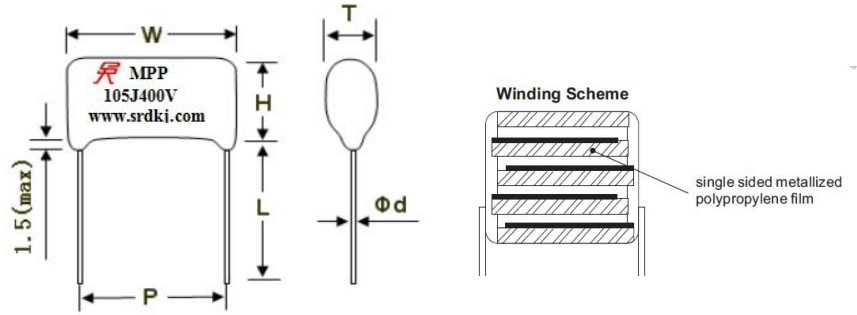
电极：金属真空蒸发层

封装：阻燃粉末环氧树脂，符合 UL94 V-0

Dielectric: Polypropylene film

Electrode: metal vacuum evaporation layer

Encapsulation: Flame retardant power epoxy resin, conforming to UL94 V-0



典型应用 Typical Application

用于开关电源，电子镇流器和变频器等中间电路直流滤波（如 DC filter,DC-link,PFC 等）

As intermediate circuit capacitor for SMPS, LED driver, inverter (i.e. DC filter,DC-link, DC filter and P.F.C)

特点 Features

有良好自愈性能，缩小产品尺寸，高频损耗小，温升低

Reduced size depended on good self-healing property, low dissipation at high frequency, low temperature rise

符合 RoHS 及 REACH 环保标准 Compliance with RoHs & REACH requirements.

电性能规范 Performance Specifications

| | | | | | | | |
|-----------------------------------------------|-----------------------------------------------------------------------------------------------------------------------------------|------|-----|-------------------------------------------|-----|-----|-----|
| 气候类别 Climate category | 40/105/56 | | | | | | |
| 额定温度 Rated Temperature | 85°C | | | | | | |
| 工作温度范围 Operating Temperature range | -40°C--+105°C. (+85°C~+105°C): decreasing factor 1.5% per °C for R.V(DC) (+85°C~+105°C): 额定电压降额使用系数 1.5% per °C for R.V(DC) | | | | | | |
| 额定电压 Rated Voltage | 400(450)VDC, 630VDC | | | | | | |
| 容量误差 Capacitance Tolerance | J: ±5% | | | | | | |
| 容量范围 Capacitance Range | 0.001μF~22μF 测试条件 Test Condition: 20°C, 1KHz, 1Vrms | | | | | | |
| 耐电压 Withstand Voltage | 1.6U _R ,5S | | | 无击穿或飞弧 No breakdown or electric arcing | | | |
| 损耗角 Dissipation factor | ≤0.001 (1KHz) | | | 测试条件 Test Condition : 20°C 1Vrms | | | |
| 绝缘电阻或时间常数 Insulation Resistance | C _R ≤0.33μF IR≥30000MΩ C _R >0.33μF IR≥10000S | | | 测试条件 Test Condition : 20°C 100V 1 min | | | |
| 最大脉冲爬升速率 Max. Pulse Rise Time (dV / dt) | U _R (V) | P7.5 | P10 | P15 | P20 | P25 | P31 |
| | 400(450)V | 120 | 80 | 65 | 35 | 20 | 10 |
| | 630V | 150 | 120 | 80 | 60 | 40 | 20 |



环氧粉末包封型金属化聚丙烯膜电容器---CBB21(MPP)系列

Metallized Polypropylene Film Capacitors(Dipped)---CBB21(MPP)series

电性能规范 Performance Specifications

| | | |
|----------------------------------------|-----------------------------------------------------------------------------------------|-----------------------------------------------------------------------------------------------------------------------------------------------------------------------------------------------------------------------------------------------------------------------------|
| 稳态湿热 Steady-state Damp-heat Test | 温度 Temp.: 40±2℃ 相对湿度 Humidity: 93%RH 持续时间 Duration Time: 56 Days | 无可见损伤, 标志清晰 no visible damage, clear mark 绝缘电阻 IR: ≥ 额定值的 50% IR: ≥ 50% of Rated value 容量变化 (相对初始值): Capacitance change (relative to the initial value): $\Delta C/C \leq \pm 5\%$ 损耗角增加 Dissipation factor: Rise ≤ 0.0020 (1KHz), $C_R > 1\mu F$ |
| 耐久性试验 Endurance Test | 温度 Temp.: +85℃, 电压 Voltage: 1.25 Times Rated Voltage 持续时间 Duration Time: 1000H | 绝缘电阻 Insulation Resistance IR: ≥ 额定值的 50% IR: ≥ 50% of rated value 损耗角增加: ≤ 0.0040 dissipation factor rise: ≤ 0.0040 容量变化 (相对初始值): $\Delta C/C \leq \pm 10\%$ Capacitance change (relative to the initial value): $\Delta C/C \leq \pm 10\%$ |

产品编码说明 Part No. Description:

18 位产品编码如下:

The Part No. Is total 18 digits, details as follow:

| | | | | | | | | | | | | | | | | | |
|---|---|---|---|---|---|---|---|---|----|----|----|----|----|----|----|----|----|
| 1 | 2 | 3 | 4 | 5 | 6 | 7 | 8 | 9 | 10 | 11 | 12 | 13 | 14 | 15 | 16 | 17 | 18 |
| M | P | P | 1 | 0 | 5 | J | 2 | G | 1 | 9 | 0 | 7 | 1 | 4 | 8 | * | * |

- Digit 1-3 型号代码 Product series Code MPP= CBB21 series
- Digit 4-6 标称容量 Rated Capacitance Value For example : 105 = $10 \times 10^5 \mu F = 1.0 \mu F$
- Digit 7 容量偏差 Capacitance Tolerance J=±5%
- Digit 8-9 额定电压 Rated Voltage Code 2G=400VDC 2W=450VDC 2J=630VDC
- Digit 10-15 外形尺寸 Dimensions Code
- Digit 16 线径代码 Line diameter code 6=0.6 8=0.8 1=1.0
- Digit 17-18 成型或内部识别码 Forming Type or Internal Use



环氧粉末包封型金属化聚丙烯膜电容器---CBB21(MPP)系列
Metallized Polypropylene Film Capacitors(Dipped)---CBB21(MPP)series

■ 料号明细及尺寸 Part No. List and Dimensions

| U _R :400 (450) Vdc | | | | | | | |
|-------------------------------|--------------|---------------------------------|-------------------|------|------|-------------|--------------|
| 成品编码 Part No. | 系列 Series | 容量 Capacitance (μ F) | 尺寸 Dimension (mm) | | | | |
| | | | Wmax | Tmax | Hmax | P \pm 0.5 | d \pm 0.05 |
| MPP823J##1004075** | CBB21 | 0.082 | 10 | 5.0 | 8.0 | 7.5 | 0.5 |
| MPP104J##1004075** | CBB21 | 0.1 | 10 | 5.5 | 8.5 | 7.5 | 0.5 |
| MPP124J##1004085** | CBB21 | 0.12 | 10 | 5.5 | 9.0 | 7.5 | 0.5 |
| MPP154J##1005085** | CBB21 | 0.15 | 10 | 6.0 | 9.5 | 7.5 | 0.5 |
| MPP184J##1005105** | CBB21 | 0.18 | 10 | 6.0 | 10.5 | 7.5 | 0.5 |
| MPP224J##1005105** | CBB21 | 0.22 | 10 | 6.5 | 11.5 | 7.5 | 0.5 |
| MPP274J##1006115** | CBB21 | 0.27 | 10 | 7.0 | 12.0 | 7.5 | 0.5 |
| MPP334J##1006135** | CBB21 | 0.33 | 10 | 7.5 | 14.0 | 7.5 | 0.5 |
| MPP394J##1007145** | CBB21 | 0.39 | 10 | 8.0 | 14.5 | 7.5 | 0.5 |
| MPP474J##1008155** | CBB21 | 0.47 | 10 | 9.0 | 15.5 | 7.5 | 0.5 |
| MPP124J##1304075** | CBB21 | 0.12 | 13 | 5.0 | 8.5 | 10 | 0.5 |
| MPP154J##1304075** | CBB21 | 0.15 | 13 | 5.5 | 8.5 | 10 | 0.5 |
| MPP184J##1304085** | CBB21 | 0.18 | 13 | 6.0 | 9.0 | 10 | 0.5 |
| MPP224J##1305085** | CBB21 | 0.22 | 13 | 6.5 | 10.5 | 10 | 0.5 |
| MPP274J##1305105** | CBB21 | 0.27 | 13 | 6.5 | 10.5 | 10 | 0.5 |
| MPP334J##1305115** | CBB21 | 0.33 | 13 | 7.5 | 12.5 | 10 | 0.5 |
| MPP394J##1306116** | CBB21 | 0.39 | 13 | 8.0 | 13.0 | 10 | 0.6 |
| MPP474J##1306136** | CBB21 | 0.47 | 13 | 7.5 | 14.5 | 10 | 0.6 |
| MPP564J##1307146** | CBB21 | 0.56 | 13 | 8.5 | 15.5 | 10 | 0.6 |
| MPP684J##1308156** | CBB21 | 0.68 | 13 | 9.5 | 16.0 | 10 | 0.6 |
| MPP824J##1308166** | CBB21 | 0.82 | 13 | 9.5 | 16.5 | 10 | 0.6 |
| MPP105J##1309176** | CBB21 | 1.0 | 13 | 10.5 | 18.5 | 10 | 0.6 |
| MPP474J##1905106** | CBB21 | 0.47 | 18 | 6.5 | 11.5 | 15 | 0.6 |
| MPP564J##1905106** | CBB21 | 0.56 | 18 | 6.5 | 12.0 | 15 | 0.6 |
| MPP684J##1906116** | CBB21 | 0.68 | 18 | 7.5 | 12.5 | 15 | 0.6 |
| MPP824J##1907128** | CBB21 | 0.82 | 18 | 8.5 | 13.0 | 15 | 0.8 |
| MPP105J##1907148** | CBB21 | 1.0 | 18 | 8.5 | 15.0 | 15 | 0.8 |
| MPP125J##1908148** | CBB21 | 1.2 | 18 | 9.0 | 15.5 | 15 | 0.8 |
| MPP155J##1908168** | CBB21 | 1.5 | 18 | 9.5 | 17.5 | 15 | 0.8 |
| MPP185J##1909178** | CBB21 | 1.8 | 18 | 10.0 | 18.0 | 15 | 0.8 |

说明 Note:

1. “##” 表示标称电压 “##” =Rated voltage 2G=400V, 2W=450V
2. “**”表示内部特征码 “**”=Internal use.



环氧粉末包封型金属化聚丙烯膜电容器---CBB21(MPP)系列
Metallized Polypropylene Film Capacitors(Dipped)---CBB21(MPP)series

■料号明细及尺寸 Part No. List and Dimensions

| U _R :630Vdc | | | | | | | |
|------------------------|--------------|---------------------------------|-------------------|------|------|-------------|--------------|
| 成品编码 Part No. | 系列 Series | 容量 Capacitance (μ F) | 尺寸 Dimension (mm) | | | | |
| | | | Wmax | Tmax | Hmax | P \pm 0.5 | d \pm 0.05 |
| MPP333J2J1004075** | CBB21 | 0.033 | 10.0 | 5.5 | 8.5 | 7.5 | 0.5 |
| MPP393J2J1004075** | CBB21 | 0.039 | 10.0 | 5.5 | 9.0 | 7.5 | 0.5 |
| MPP473J2J1004075** | CBB21 | 0.047 | 10.0 | 5.5 | 8.5 | 7.5 | 0.5 |
| MPP563J2J1004075** | CBB21 | 0.056 | 10.0 | 6.0 | 9.0 | 7.5 | 0.5 |
| MPP683J2J1005085** | CBB21 | 0.068 | 10.0 | 6.0 | 9.0 | 7.5 | 0.5 |
| MPP823J2J1004105** | CBB21 | 0.082 | 10.0 | 6.5 | 11.5 | 7.5 | 0.5 |
| MPP104J2J1005105** | CBB21 | 0.1 | 10.0 | 6.5 | 11.5 | 7.5 | 0.5 |
| MPP124J2J1005115** | CBB21 | 0.12 | 10.0 | 7.0 | 12.0 | 7.5 | 0.5 |
| MPP154J2J1006125** | CBB21 | 0.15 | 10.0 | 6.5 | 13.5 | 7.5 | 0.5 |
| MPP184J2J1006135** | CBB21 | 0.18 | 10.0 | 7.0 | 14.0 | 7.5 | 0.5 |
| MPP224J2J1007145** | CBB21 | 0.22 | 10.0 | 8.0 | 15.0 | 7.5 | 0.5 |
| MPP102J2J1304075** | CBB21 | 0.001 | 13.0 | 5.0 | 9.0 | 10.0 | 0.5 |
| MPP122J2J1304075** | CBB21 | 0.0012 | 13.0 | 5.5 | 9.5 | 10.0 | 0.5 |
| MPP152J2J1304085** | CBB21 | 0.0015 | 13.0 | 5.5 | 9.0 | 10.0 | 0.5 |
| MPP182J2J1304075** | CBB21 | 0.0018 | 13.0 | 5.0 | 8.5 | 10.0 | 0.5 |
| MPP222J2J1304075** | CBB21 | 0.0022 | 13.0 | 5.5 | 8.5 | 10.0 | 0.5 |
| MPP272J2J1304075** | CBB21 | 0.0027 | 13.0 | 5.0 | 8.5 | 10.0 | 0.5 |
| MPP332J2J1304085** | CBB21 | 0.0033 | 13.0 | 5.5 | 9.0 | 10.0 | 0.5 |
| MPP392J2J1304075** | CBB21 | 0.0039 | 13.0 | 5.5 | 8.5 | 10.0 | 0.5 |
| MPP472J2J1304085** | CBB21 | 0.0047 | 13.0 | 5.5 | 8.5 | 10.0 | 0.5 |
| MPP562J2J1304075** | CBB21 | 0.0056 | 13.0 | 5.5 | 8.5 | 10.0 | 0.5 |
| MPP682J2J1304075** | CBB21 | 0.0068 | 13.0 | 5.5 | 8.5 | 10.0 | 0.5 |
| MPP822J2J1304075** | CBB21 | 0.0082 | 13.0 | 5.5 | 8.5 | 10.0 | 0.5 |
| MPP103J2J1304085** | CBB21 | 0.01 | 13.0 | 5.5 | 8.5 | 10.0 | 0.5 |
| MPP123J2J1304095** | CBB21 | 0.012 | 13.0 | 5.5 | 10.5 | 10.0 | 0.5 |
| MPP153J2J1304075** | CBB21 | 0.015 | 13.0 | 5.0 | 8.5 | 10.0 | 0.5 |
| MPP183J2J1304075** | CBB21 | 0.018 | 13.0 | 5.5 | 9.5 | 10.0 | 0.5 |
| MPP223J2J1304075** | CBB21 | 0.022 | 13.0 | 6.0 | 9.0 | 10.0 | 0.5 |
| MPP273J2J1304075** | CBB21 | 0.027 | 13.0 | 5.5 | 9.5 | 10.0 | 0.5 |
| MPP333J2J1304075** | CBB21 | 0.033 | 13.0 | 5.5 | 9.0 | 10.0 | 0.5 |

说明 Note: “**”表示内部特征码 “***”=Internal use.



环氧粉末包封型金属化聚丙烯膜电容器---CBB21(MPP)系列
Metallized Polypropylene Film Capacitors(Dipped)---CBB21(MPP)series

■料号明细及尺寸 Part No. List and Dimensions

| U _R :630Vdc | | | | | | | |
|------------------------|--------------|---------------------------|-------------------|------|------|-------|--------|
| 成品编码 Part No. | 系列 Series | 容量 Capacitance (μF) | 尺寸 Dimension (mm) | | | | |
| | | | Wmax | Tmax | Hmax | P±0.5 | d±0.05 |
| MPP393J2J1304075** | CBB21 | 0.039 | 13.0 | 5.5 | 9.0 | 10.0 | 0.5 |
| MPP473J2J1304075** | CBB21 | 0.047 | 13.0 | 5.5 | 9.0 | 10.0 | 0.5 |
| MPP563J2J1304075** | CBB21 | 0.056 | 13.0 | 5.5 | 9.0 | 10.0 | 0.5 |
| MPP683J2J1304075** | CBB21 | 0.068 | 13.0 | 5.0 | 8.5 | 10.0 | 0.5 |
| MPP823J2J1304075** | CBB21 | 0.082 | 13.0 | 5.5 | 9.0 | 10.0 | 0.5 |
| MPP104J2J1304095** | CBB21 | 0.1 | 13.0 | 5.5 | 10.5 | 10.0 | 0.5 |
| MPP124J2J1304105** | CBB21 | 0.12 | 13.0 | 5.5 | 10.5 | 10.0 | 0.5 |
| MPP154J2J1305105** | CBB21 | 0.15 | 13.0 | 6.5 | 12.0 | 10.0 | 0.5 |
| MPP184J2J1306116** | CBB21 | 0.18 | 13.0 | 7.0 | 12.0 | 10.0 | 0.6 |
| MPP224J2J1306126** | CBB21 | 0.22 | 13.0 | 7.5 | 14.5 | 10.0 | 0.6 |
| MPP274J2J1306136** | CBB21 | 0.27 | 13.0 | 7.5 | 14.5 | 10.0 | 0.6 |
| MPP334J2J1307146** | CBB21 | 0.33 | 13.0 | 8.5 | 15.5 | 10.0 | 0.6 |
| MPP394J2J1307166** | CBB21 | 0.39 | 13.0 | 8.5 | 16.5 | 10.0 | 0.6 |
| MPP474J2J1308176** | CBB21 | 0.47 | 13.0 | 9.5 | 18.0 | 10.0 | 0.6 |
| MPP224J2J1904106** | CBB21 | 0.22 | 18.0 | 6.0 | 11.0 | 15.0 | 0.6 |
| MPP274J2J1905106** | CBB21 | 0.27 | 18.0 | 6.5 | 11.5 | 15.0 | 0.6 |
| MPP334J2J1905126** | CBB21 | 0.33 | 18.0 | 6.5 | 13.0 | 15.0 | 0.6 |
| MPP394J2J1906126** | CBB21 | 0.39 | 18.0 | 7.0 | 13.5 | 15.0 | 0.6 |
| MPP474J2J1906136** | CBB21 | 0.47 | 18.0 | 7.5 | 14.5 | 15.0 | 0.6 |
| MPP564J2J1907148** | CBB21 | 0.56 | 18.0 | 8.0 | 15.0 | 15.0 | 0.8 |
| MPP684J2J1907168** | CBB21 | 0.68 | 18.0 | 8.5 | 17.0 | 15.0 | 0.8 |
| MPP824J2J1908178** | CBB21 | 0.82 | 18.0 | 9.0 | 17.5 | 15.0 | 0.8 |
| MPP105J2J1909198** | CBB21 | 1.0 | 18.0 | 9.5 | 19.5 | 15.0 | 0.8 |
| MPP125J2J1910208** | CBB21 | 1.2 | 18.0 | 11.0 | 21.0 | 15.0 | 0.8 |
| MPP155J2J1911218** | CBB21 | 1.5 | 18.0 | 12.5 | 22.5 | 15.0 | 0.8 |
| MPP474J2J2406116** | CBB21 | 0.47 | 23.0 | 7.0 | 12.0 | 20.0 | 0.6 |
| MPP564J2J2406116** | CBB21 | 0.56 | 23.0 | 7.5 | 13.5 | 20.0 | 0.6 |
| MPP684J2J2406136** | CBB21 | 0.68 | 23.0 | 7.5 | 14.0 | 20.0 | 0.6 |
| MPP824J2J2407148** | CBB21 | 0.82 | 23.0 | 8.0 | 15.0 | 20.0 | 0.8 |
| MPP105J2J2407168** | CBB21 | 1.0 | 23.0 | 9.5 | 17.5 | 20.0 | 0.8 |
| MPP125J2J2408178** | CBB21 | 1.2 | 23.0 | 9.5 | 18.0 | 20.0 | 0.8 |

说明 Note: “**”表示内部特征码

“***”=Internal use.



环氧粉末包封型金属化聚丙烯膜电容器---CBB21(MPP)系列
Metallized Polypropylene Film Capacitors(Dipped)---CBB21(MPP)series

■料号明细及尺寸 Part No. List and Dimensions

| U _R :630Vdc | | | | | | | |
|------------------------|--------------|---------------------------------|-------------------|------|------|-------------|--------------|
| 成品编码 Part No. | 系列 Series | 容量 Capacitance (μ F) | 尺寸 Dimension (mm) | | | | |
| | | | Wmax | Tmax | Hmax | P \pm 0.5 | d \pm 0.05 |
| MPP155J2J2409188** | CBB21 | 1.5 | 23.0 | 11.0 | 19.0 | 20.0 | 0.8 |
| MPP185J2J2410208** | CBB21 | 1.8 | 23.0 | 11.5 | 21.0 | 20.0 | 0.8 |
| MPP225J2J2411218** | CBB21 | 2.2 | 23.0 | 13.0 | 23.0 | 20.0 | 0.8 |
| MPP275J2J2413238** | CBB21 | 2.7 | 23.0 | 14.5 | 24.5 | 20.0 | 0.8 |
| MPP335J2J2415248** | CBB21 | 3.3 | 23.0 | 16.0 | 26.0 | 20.0 | 0.8 |
| MPP395J2J2415288** | CBB21 | 3.9 | 23.0 | 16.0 | 29.0 | 20.0 | 0.8 |
| MPP475J2J2416308** | CBB21 | 4.7 | 23.0 | 17.5 | 30.5 | 20.0 | 0.8 |
| MPP105J2J2907148** | CBB21 | 1.0 | 28.0 | 8.5 | 15.0 | 25.0 | 0.8 |
| MPP125J2J2908148** | CBB21 | 1.2 | 28.0 | 9.0 | 15.5 | 25.0 | 0.8 |
| MPP155J2J2908168** | CBB21 | 1.5 | 28.0 | 9.0 | 17.5 | 25.0 | 0.8 |
| MPP185J2J2909178** | CBB21 | 1.8 | 28.0 | 10.0 | 18.5 | 25.0 | 0.8 |
| MPP225J2J2910191** | CBB21 | 2.2 | 28.0 | 11.0 | 19.5 | 25.0 | 1.0 |
| MPP275J2J2911211** | CBB21 | 2.7 | 28.0 | 12.5 | 22.5 | 25.0 | 1.0 |
| MPP335J2J2912221** | CBB21 | 3.3 | 28.0 | 12.5 | 23.5 | 25.0 | 1.0 |
| MPP395J2J2914241** | CBB21 | 3.9 | 28.0 | 14.5 | 24.5 | 25.0 | 1.0 |
| MPP475J2J2915251** | CBB21 | 4.7 | 28.0 | 16.5 | 26.5 | 25.0 | 1.0 |
| MPP565J2J2916291** | CBB21 | 5.6 | 28.0 | 16.5 | 29.5 | 25.0 | 1.0 |
| MPP685J2J2917311** | CBB21 | 6.8 | 28.0 | 18.5 | 32.0 | 25.0 | 1.0 |
| MPP185J2J3508168** | CBB21 | 1.8 | 34.0 | 9.0 | 17.0 | 31.0 | 0.8 |
| MPP225J2J3509171** | CBB21 | 2.2 | 34.0 | 9.5 | 18.0 | 31.0 | 1.0 |
| MPP275J2J3509191** | CBB21 | 2.7 | 34.0 | 10.5 | 20.5 | 31.0 | 1.0 |
| MPP335J2J3510201** | CBB21 | 3.3 | 34.0 | 10.5 | 21.5 | 31.0 | 1.0 |
| MPP395J2J3512221** | CBB21 | 3.9 | 34.0 | 13.0 | 23.0 | 31.0 | 1.0 |
| MPP475J2J3513231** | CBB21 | 4.7 | 34.0 | 15.5 | 25.5 | 31.0 | 1.0 |
| MPP565J2J3513261** | CBB21 | 5.6 | 34.0 | 15.0 | 27.5 | 31.0 | 1.0 |
| MPP685J2J3515281** | CBB21 | 6.8 | 34.0 | 16.0 | 29.0 | 31.0 | 1.0 |
| MPP825J2J3517301** | CBB21 | 8.2 | 34.0 | 18.0 | 31.0 | 31.0 | 1.0 |
| MPP106J2J3519321** | CBB21 | 10.0 | 34.0 | 20.5 | 33.5 | 31.0 | 1.0 |

说明 Note: “**”表示内部特征码 “**”=Internal use.

Note: We can customize the capacitors according to customers special requirements.

X-ON Electronics

Largest Supplier of Electrical and Electronic Components

Click to view similar products for [Film Capacitors](#) category:

Click to view products by [Sincerity](#) manufacturer:

Other Similar products are found below :

[M83421/01-3089R](#) [703-6G](#) [F450KG153J250ALH0J](#) [750-1018](#) [FKP1-1000160010P15](#) [FKP1-1500160010P15](#) [FKP1U024707E00KYSD](#)
[82EC1100DQ50K](#) [MMWAF150KME](#) [PCY2130F30153](#) [PME261JB5220KR19T0](#) [A521HH333M035C](#) [QXJ2E474KTPT](#) [QXL2B333KTPT](#)
[QXM2G104K](#) [B32234-.033@250V-K](#) [B32520C6332K000](#) [B32522C6104K000](#) [B32523Q3155J](#) [B32676E6755K](#) [B81133-C1104-M3](#)
[MTC355L1](#) [217-0716-001](#) [PA225L30](#) [221A10-120](#) [CB182K0184J--](#) [KP1830-247/061-G](#) [SCD105K122A3-22](#) [SCD205K122A3-24](#)
[F601BL225K063CL60A](#) [PCX2339F65224](#) [PCX2339F65334](#) [2222 368 55105](#) [2222 370 21683](#) [QXL2E473KTPT](#) [445450-1](#) [B32524Q6155J](#)
[46KI3100JBM1K](#) [MKP 1839-215-633](#) [MKP 1840-447-165](#) [MKP383510063JKP2T0](#) [MKT182022263473](#) [WMC08P22](#) [YE333](#) [ECQ-](#)
[W4223KZ](#) [EEC2G805HQA415](#) [PA103L30](#) [82DC3100DQ50J](#) [82EC2150DQ50K](#) [WMF1D68](#)