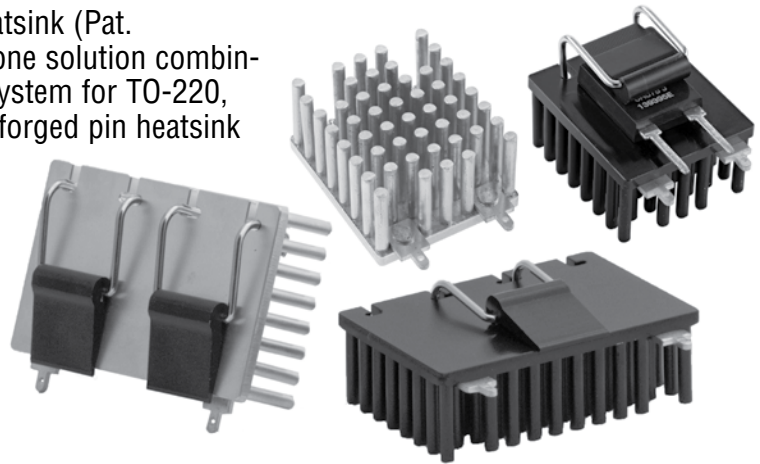


P Series Heatsinks

Forged Pin Fin heatsink for TO-220, TO-247 and TO-264 devices

Ohmite introduces the P series forged pin-fin heatsink (Pat. Pending). The P series heat sinks offer an all-in-one solution combining a compact design with a universal cam clip system for TO-220, TO-247, TO-264 package devices. This powerful forged pin heatsink is designed to be thru-hole soldered to the PCB board. The forged pin design allows forced convection cooling in multiple directions.

The pin fin design allows for a larger surface area creating minimum thermal flow impedance. The P series is the ideal type of heat sink for high power and small size (1U or 2U) electronic packaging with natural and forced convection cooling.



SERIES SPECIFICATIONS

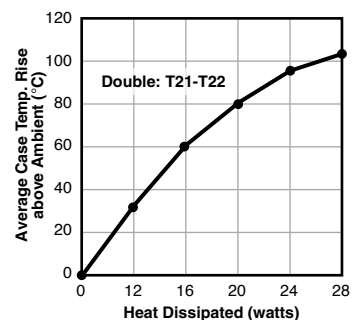
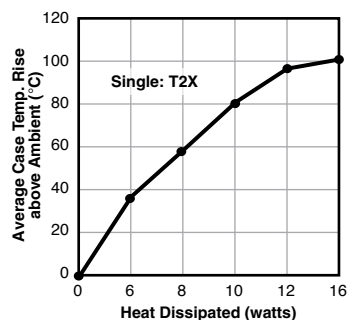
| Heatsink Part Number | Configuration | Surface Area (in ² / mm ²) | Weight (oz./g) | Length (in / mm) | R _{θc-a} * (°C/W) |
|----------------------|----------------|---|----------------|------------------|----------------------------|
| PA-T2X-38E | Single, 1 clip | 13.4 / 8,675 | 0.7 / 20 | 1.18 / 30 | 7.46 |
| PV-T2X-38E | Single, 1 clip | 13.4 / 8,675 | 0.7 / 20 | 1.18 / 30 | 8.07 |
| PA-T21-38E | Dual, 1 clip | 23 / 14,823 | 1.3 / 39 | 1.18 / 30 | 3.13 |
| PV-T21-38E | Dual, 1 clip | 23 / 14,823 | 1.3 / 39 | 1.18 / 30 | 3.89 |
| PA-T22-38E | Dual, 2 clip | 23 / 14,823 | 1.3 / 39 | 1.18 / 30 | 3.13 |
| PV-T22-38E | Dual, 2 clip | 23 / 14,823 | 1.3 / 39 | 1.18 / 30 | 3.89 |

*--Thermal Resistance is in open space @14 W power dissipation (28 watts for T21-T22 dual)

CHARACTERISTICS

| | |
|-------------------------------------|---|
| Heat sink | AL1070 |
| Spring clip | Music Wire, Per ASTM A228 with bright nickel plating |
| Solder feet | Brass with pure tin or nickel. RoHS compliant |
| Interface thermal resistance | For improvement, use thermal joint compound, 0.005 Grafoil (TGon 800 by Laird), or phase change material (Hi-Flow by Bergquist) |
| Insulator | Sil-Pad 900-S, K6 800-S and K10 by Bergquist |

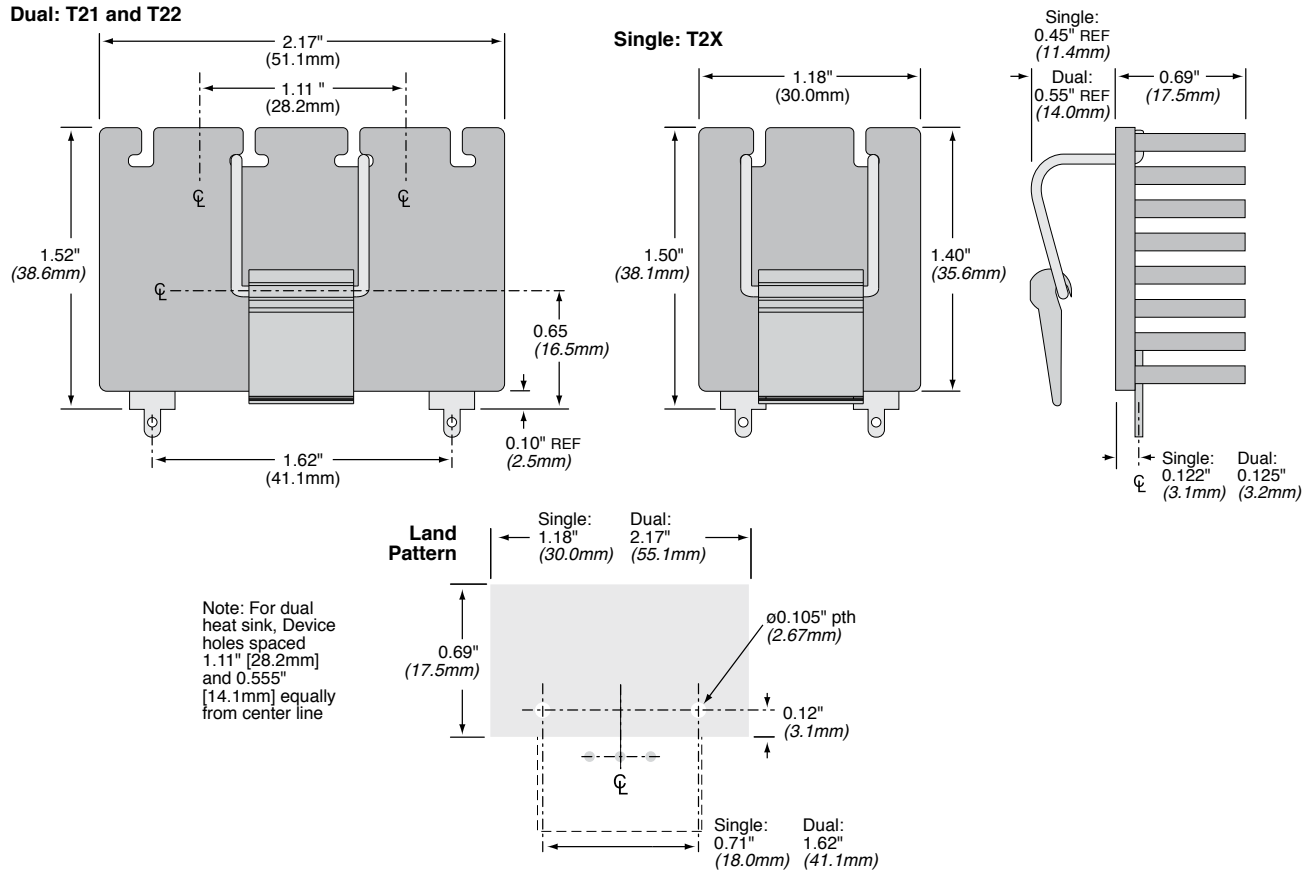
Thermal Performance



P Series Heatsinks

Forged Pin Fin heatsink for TO-220, TO-247 and TO-264 devices

DIMENSIONS



ORDERING INFORMATION

Package TO-devices
Package variation
P A - T 2 X - 3 8 E
Series P
Finish A = anodized V = degreased
Height (mm)
RoHS Compliant

Standard Part Numbers

| Part number | Configuration |
|-------------|--------------------------|
| PA-T2X-38E | Single, Anodized, 1 clip |
| PV-T2X-38E | Single, Degreased 1 clip |
| PA-T21-38E | Dual, Anodized 1 clip |
| PV-T21-38E | Dual, Degreased 1 clip |
| PA-T22-38E | Dual, Anodized 2 clips |
| PV-T22-38E | Dual, Degreased 2 clips |

X-ON Electronics

Largest Supplier of Electrical and Electronic Components

Click to view similar products for [Heat Sinks](#) category:

Click to view products by [Ohmite](#) manufacturer:

Other Similar products are found below :

[581102B00000G](#) [630-35ABT3](#) [656-15ABPE](#) [657-20ABPNE](#) [7020B-TC12-MTG](#) [73452PPBA](#) [7721-13NG](#) [7G0011A](#) [FI306/SE](#) [PF720G](#)
[A22-4026](#) [120-1873-007](#) [HAH10L](#) [HF20](#) [1542256-2](#) [1542026-1](#) [1542616-1](#) [HS-2506-F1](#) [HS-87M0-F2](#) [218-40CTE3](#) [25-7520](#)
[188854F00000G](#) [F-QB-F1](#) [APA501-60-003](#) [253-122ABE-22](#) [PSC22CB](#) [CLP-201](#) [CLP212SG](#) [CLP-7701G](#) [HAA072](#) [HAA083](#) [HAF10L](#)
[HAQ10T](#) [D10100-28](#) [TO5-002D](#) [513101B02500G](#) [BDN183CBA01](#) [531202B0000](#) [HS-56M0-C1](#) [3-21053-4](#) [TX0506-1B](#) [TX1806B](#)
[336614B-00000](#) [V2004X](#) [LAE66A3CB](#) [WA-DT2-101E](#) [511-3U](#) [017177](#) [530510B00000G](#) [6110BG](#)