

### Features

- Low power consumption
- Low voltage drop
- Low temperature coefficient
- High input voltage (up to 15V)
- Output voltage accuracy: tolerance  $\pm 2\%$
- TO92, SOT89, and SOT23 package

### Applications

- Battery-powered equipment
- Communication equipment
- Audio/Video equipment

### General Description

The H75XX-1 series is a set of three-terminal low power high voltage regulators implemented in CMOS technology. They allow input voltages as high as 18V. They are available with several fixed output voltages ranging from 2.1V to 6.0V. CMOS

technology ensures low voltage drop and low quiescent current. Although designed primarily as fixed voltage regulators, these devices can be used with external components to obtain variable voltages and currents.

### Selection Table

Part No.	Output Voltage	Package	Marking
H7521-1	2.1V	TO92 SOT89 SOT23	75XXA-1(for TO92) 75XX-1(for SOT89) HTXX(for SOT23)
H7525-1	2.5V		
H7527-1	2.7V		
H7530-1	3.0V		
H7533-1	3.3V		
H7536-1	3.6V		
H7540-1	4.0V		
H7544-1	4.4V		
H7545-1	4.5V		
H7550-1	5.0V		

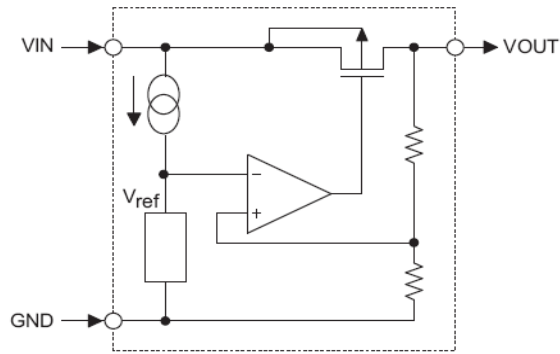
Note: "XX" stands for output voltages. Other voltages can be specially customized.

### Order Information

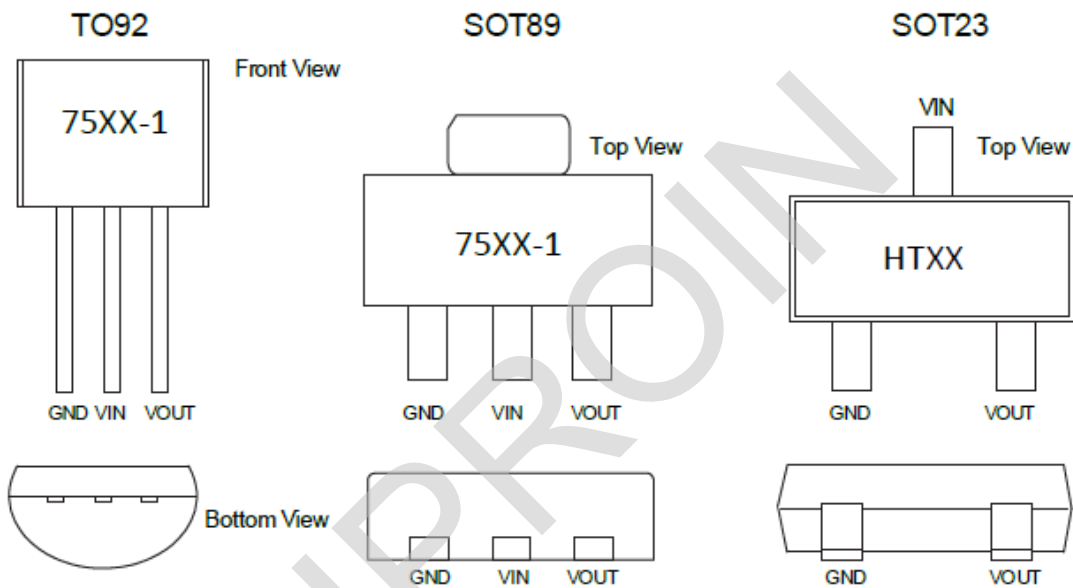
H75①②-1③④

Designator	Symbol	Description
① ②	Integer	Output Voltage(2.1~5.0V)
③	T	Package:TO-92
	P	Package:SOT89
	N	Package:SOT23
④	R	RoHS / Pb Free
	G	Halogen Free

### Block Diagram



### Pin Assignment



### Absolute Maximum Ratings

Supply Voltage .....-0.3V to 18V      Storage Temperature .....-50°C to 125°C  
 Operating Temperature .....-40°C to 85°C

Note: These are stress ratings only. Stresses exceeding the range specified under “Absolute Maximum Ratings” may cause substantial damage to the device. Functional operation of this device at other conditions beyond those listed in the specification is not implied and prolonged exposure to extreme conditions may affect device reliability.

### Thermal Information

Symbol	Parameter	Package	Max.	Unit
$\theta_{JA}$	Thermal Resistance (Junction to Ambient) (Assume no ambient airflow, no heat sink)	TO92	200	°C/W
		SOT89	200	°C/W
		SOT23	500	°C/W
$P_D$	Power Dissipation	TO92	0.50	W
		SOT89	0.50	W
		SOT23	0.20	W

Note:  $P_D$  is measured at  $T_a = 25^\circ\text{C}$

### Electrical Characteristics

#### H7521-1, +2.1V Output Type

Symbol	Parameter	Test Conditions		Min.	Typ.	Max.	Unit
		V <sub>IN</sub>	Conditions				
V <sub>OUT</sub>	Output Voltage	4.1V	I <sub>OUT</sub> =10mA	2.058	2.100	2.142	V
I <sub>OUT</sub>	Output Current	4.1V	-	120	150	-	mA
ΔV <sub>OUT</sub>	Load Regulation	4.1V	1mA ≤ I <sub>OUT</sub> ≤ 50mA	-	60	150	mV
V <sub>DIF</sub>	Voltage Drop(Note)	-	I <sub>OUT</sub> =1mA, ΔV <sub>OUT</sub> =2%	-	50	-	mV
I <sub>SS</sub>	Current Consumption	4.1V	No load	-	1.5	2	μA
$\frac{\Delta V_{OUT}}{\Delta V_{IN} \times V_{OUT}}$	Line Regulation	-	3.1V ≤ V <sub>IN</sub> ≤ 16V I <sub>OUT</sub> =1mA	-	0.2	-	%/V
V <sub>IN</sub>	Input Voltage	-	-	-	-	15	V
$\frac{\Delta V_{OUT}}{\Delta Ta}$	Temperature Coefficient	4.1V	I <sub>OUT</sub> =10mA 0°C < Ta < 70°C	-	± 0.37	-	mV/°C

Note: Dropout voltage is defined as the input voltage minus the output voltage that produces a 2% change in the output voltage from the value at V<sub>IN</sub> = V<sub>OUT</sub>+2V with a fixed load.

#### H7525-1, +2.5V Output Type

Symbol	Parameter	Test Conditions		Min.	Typ.	Max.	Unit
		V <sub>IN</sub>	Conditions				
V <sub>OUT</sub>	Output Voltage	4.5V	I <sub>OUT</sub> =10mA	2.45	2.500	2.55	V
I <sub>OUT</sub>	Output Current	4.5V	-	120	150	-	mA
ΔV <sub>OUT</sub>	Load Regulation	4.5V	1mA ≤ I <sub>OUT</sub> ≤ 50mA	-	60	150	mV
V <sub>DIF</sub>	Voltage Drop(Note)	-	I <sub>OUT</sub> =1mA, ΔV <sub>OUT</sub> =2%	-	50	-	mV
I <sub>SS</sub>	Current Consumption	4.5V	No load	-	1.5	2	μA
$\frac{\Delta V_{OUT}}{\Delta V_{IN} \times V_{OUT}}$	Line Regulation	-	3.5V ≤ V <sub>IN</sub> ≤ 16V I <sub>OUT</sub> =1mA	-	0.2	-	%/V
V <sub>IN</sub>	Input Voltage	-	-	-	-	15	V
$\frac{\Delta V_{OUT}}{\Delta Ta}$	Temperature Coefficient	4.5V	I <sub>OUT</sub> =10mA 0°C < Ta < 70°C	-	± 0.41	-	mV/°C

Note: Dropout voltage is defined as the input voltage minus the output voltage that produces a 2% change in the output voltage from the value at V<sub>IN</sub> = V<sub>OUT</sub>+2V with a fixed load.

### H7527-1, +2.7V Output Type

Symbol	Parameter	Test Conditions		Min.	Typ.	Max.	Unit
		V <sub>IN</sub>	Conditions				
V <sub>OUT</sub>	Output Voltage	4.7V	I <sub>OUT</sub> =10mA	2.646	2.700	2.754	V
I <sub>OUT</sub>	Output Current	4.7V	-	120	150	-	mA
ΔV <sub>OUT</sub>	Load Regulation	4.7V	1mA ≤ I <sub>OUT</sub> ≤ 50mA	-	60	150	mV
V <sub>DIF</sub>	Voltage Drop(Note)	-	I <sub>OUT</sub> =1mA, ΔV <sub>OUT</sub> =2%	-	50	-	mV
I <sub>SS</sub>	Current Consumption	4.7V	No load	-	1.5	2	μA
$\frac{\Delta V_{OUT}}{\Delta V_{IN} \times V_{OUT}}$	Line Regulation	-	3.5V ≤ V <sub>IN</sub> ≤ 16V I <sub>OUT</sub> =1mA	-	0.2	-	%/V
V <sub>IN</sub>	Input Voltage	-	-	-	-	15	V
$\frac{\Delta V_{OUT}}{\Delta T_a}$	Temperature Coefficient	4.7V	I <sub>OUT</sub> =10mA 0°C < T <sub>a</sub> < 70°C	-	±0.43	-	mV/°C

Note: Dropout voltage is defined as the input voltage minus the output voltage that produces a 2% change in the output voltage from the value at V<sub>IN</sub> = V<sub>OUT</sub>+2V with a fixed load.

### H7530-1, +3.0V Output Type

Symbol	Parameter	Test Conditions		Min.	Typ.	Max.	Unit
		V <sub>IN</sub>	Conditions				
V <sub>OUT</sub>	Output Voltage	5V	I <sub>OUT</sub> =10mA	2.94	3.00	3.06	V
I <sub>OUT</sub>	Output Current	5V	-	120	150	-	mA
ΔV <sub>OUT</sub>	Load Regulation	5V	1mA ≤ I <sub>OUT</sub> ≤ 50mA	-	60	150	mV
V <sub>DIF</sub>	Voltage Drop(Note)	-	I <sub>OUT</sub> =1mA, ΔV <sub>OUT</sub> =2%	-	50	-	mV
I <sub>SS</sub>	Current Consumption	5V	No load	-	1.5	2	μA
$\frac{\Delta V_{OUT}}{\Delta V_{IN} \times V_{OUT}}$	Line Regulation	-	4V ≤ V <sub>IN</sub> ≤ 16V I <sub>OUT</sub> =1mA	-	0.2	-	%/V
V <sub>IN</sub>	Input Voltage	-	-	-	-	15	V
$\frac{\Delta V_{OUT}}{\Delta T_a}$	Temperature Coefficient	5V	I <sub>OUT</sub> =10mA 0°C < T <sub>a</sub> < 70°C	-	±0.45	-	mV/°C

Note: Dropout voltage is defined as the input voltage minus the output voltage that produces a 2% change in the output voltage from the value at V<sub>IN</sub> = V<sub>OUT</sub>+2V with a fixed load.

### H7533-1, +3.3V Output Type

Symbol	Parameter	Test Conditions		Min.	Typ.	Max.	Unit
		V <sub>IN</sub>	Conditions				
V <sub>OUT</sub>	Output Voltage	5.3V	I <sub>OUT</sub> =10mA	3.234	3.300	3.366	V
I <sub>OUT</sub>	Output Current	5.3V	-	120	150	-	mA
ΔV <sub>OUT</sub>	Load Regulation	5.3V	1mA ≤ I <sub>OUT</sub> ≤ 50mA	-	60	150	mV
V <sub>DIF</sub>	Voltage Drop(Note)	-	I <sub>OUT</sub> =1mA, ΔV <sub>OUT</sub> =2%	-	50	-	mV
I <sub>SS</sub>	Current Consumption	5.3V	No load	-	1.5	2	μA
$\frac{\Delta V_{OUT}}{\Delta V_{IN} \times V_{OUT}}$	Line Regulation	-	4.5V ≤ V <sub>IN</sub> ≤ 16V I <sub>OUT</sub> =1mA	-	0.2	-	%/V
V <sub>IN</sub>	Input Voltage	-	-	-	-	15	V
$\frac{\Delta V_{OUT}}{\Delta T_a}$	Temperature Coefficient	5.3V	I <sub>OUT</sub> =10mA 0°C < T <sub>a</sub> < 70°C	-	±0.5	-	mV/°C

Note: Dropout voltage is defined as the input voltage minus the output voltage that produces a 2% change in the output voltage from the value at V<sub>IN</sub> = V<sub>OUT</sub>+2V with a fixed load.

### H7536-1, +3.6V Output Type

Symbol	Parameter	Test Conditions		Min.	Typ.	Max.	Unit
		V <sub>IN</sub>	Conditions				
V <sub>OUT</sub>	Output Voltage	5.6V	I <sub>OUT</sub> =10mA	3.528	3.600	3.672	V
I <sub>OUT</sub>	Output Current	5.6V	-	120	150	-	mA
ΔV <sub>OUT</sub>	Load Regulation	5.6V	1mA ≤ I <sub>OUT</sub> ≤ 50mA	-	60	150	mV
V <sub>DIF</sub>	Voltage Drop(Note)	-	I <sub>OUT</sub> =1mA, ΔV <sub>OUT</sub> =2%	-	50	-	mV
I <sub>SS</sub>	Current Consumption	5.6V	No load	-	1.5	2.0	μA
$\frac{\Delta V_{OUT}}{\Delta V_{IN} \times V_{OUT}}$	Line Regulation	-	4.6V ≤ V <sub>IN</sub> ≤ 16V I <sub>OUT</sub> =1mA	-	0.2	-	%/V
V <sub>IN</sub>	Input Voltage	-	-	-	-	15	V
$\frac{\Delta V_{OUT}}{\Delta T_a}$	Temperature Coefficient	5.6V	I <sub>OUT</sub> =10mA 0°C < T <sub>a</sub> < 70°C	-	±0.6	-	mV/°C

Note: Dropout voltage is defined as the input voltage minus the output voltage that produces a 2% change in the output voltage from the value at V<sub>IN</sub> = V<sub>OUT</sub>+2V with a fixed load.

### H7540-1, +4.0V Output Type

Symbol	Parameter	Test Conditions		Min.	Typ.	Max.	Unit
		V <sub>IN</sub>	Conditions				
V <sub>OUT</sub>	Output Voltage	6.0V	I <sub>OUT</sub> =10mA	3.920	4.000	4.080	V
I <sub>OUT</sub>	Output Current	6.0V	-	120	150	-	mA
ΔV <sub>OUT</sub>	Load Regulation	6.0V	1mA ≤ I <sub>OUT</sub> ≤ 50mA	-	60	150	mV
V <sub>DIF</sub>	Voltage Drop(Note)	-	I <sub>OUT</sub> =1mA, ΔV <sub>OUT</sub> =2%	-	50	-	mV
I <sub>SS</sub>	Current Consumption	6.0V	No load	-	1.5	2.0	μA
$\frac{\Delta V_{OUT}}{\Delta V_{IN} \times V_{OUT}}$	Line Regulation	-	5V ≤ V <sub>IN</sub> ≤ 16V I <sub>OUT</sub> =1mA	-	0.2	-	%/V
V <sub>IN</sub>	Input Voltage	-	-	-	-	15	V
$\frac{\Delta V_{OUT}}{\Delta T_a}$	Temperature Coefficient	6.0V	I <sub>OUT</sub> =10mA 0°C < T <sub>a</sub> < 70°C	-	±0.6	-	mV/°C

Note: Dropout voltage is defined as the input voltage minus the output voltage that produces a 2% change in the output voltage from the value at V<sub>IN</sub> = V<sub>OUT</sub>+2V with a fixed load.

### H7544-1, +4.4V Output Type

Symbol	Parameter	Test Conditions		Min.	Typ.	Max.	Unit
		V <sub>IN</sub>	Conditions				
V <sub>OUT</sub>	Output Voltage	6.4V	I <sub>OUT</sub> =10mA	4.312	4.400	4.488	V
I <sub>OUT</sub>	Output Current	6.4V	-	120	150	-	mA
ΔV <sub>OUT</sub>	Load Regulation	6.4V	1mA ≤ I <sub>OUT</sub> ≤ 50mA	-	60	150	mV
V <sub>DIF</sub>	Voltage Drop(Note)	-	I <sub>OUT</sub> =1mA, ΔV <sub>OUT</sub> =2%	-	50	-	mV
I <sub>SS</sub>	Current Consumption	6.4V	No load	-	1.5	2.0	μA
$\frac{\Delta V_{OUT}}{\Delta V_{IN} \times V_{OUT}}$	Line Regulation	-	5.4V ≤ V <sub>IN</sub> ≤ 16V I <sub>OUT</sub> =1mA	-	0.2	-	%/V
V <sub>IN</sub>	Input Voltage	-	-	-	-	15	V
$\frac{\Delta V_{OUT}}{\Delta T_a}$	Temperature Coefficient	6.4V	I <sub>OUT</sub> =10mA 0°C < T <sub>a</sub> < 70°C	-	±0.7	-	mV/°C

Note: Dropout voltage is defined as the input voltage minus the output voltage that produces a 2% change in the output voltage from the value at V<sub>IN</sub> = V<sub>OUT</sub>+2V with a fixed load.

### H7545-1, +4.5V Output Type

Symbol	Parameter	Test Conditions		Min.	Typ.	Max.	Unit
		V <sub>IN</sub>	Conditions				
V <sub>OUT</sub>	Output Voltage	6.5V	I <sub>OUT</sub> =10mA	4.410	4.500	4.590	V
I <sub>OUT</sub>	Output Current	6.5V	-	120	150	-	mA
ΔV <sub>OUT</sub>	Load Regulation	6.5V	1mA ≤ I <sub>OUT</sub> ≤ 50mA	-	60	150	mV
V <sub>DIF</sub>	Voltage Drop(Note)	-	I <sub>OUT</sub> =1mA, ΔV <sub>OUT</sub> =2%	-	50	-	mV
I <sub>SS</sub>	Current Consumption	6.5V	No load	-	1.5	2.0	μA
$\frac{\Delta V_{OUT}}{\Delta V_{IN} \times V_{OUT}}$	Line Regulation	-	5.5V ≤ V <sub>IN</sub> ≤ 16V I <sub>OUT</sub> =1mA	-	0.2	-	%/V
V <sub>IN</sub>	Input Voltage	-	-	-	-	15	V
$\frac{\Delta V_{OUT}}{\Delta T_a}$	Temperature Coefficient	6.5V	I <sub>OUT</sub> =10mA 0°C < T <sub>a</sub> < 70°C	-	±0.7	-	mV/°C

Note: Dropout voltage is defined as the input voltage minus the output voltage that produces a 2% change in the output voltage from the value at V<sub>IN</sub> = V<sub>OUT</sub>+2V with a fixed load.

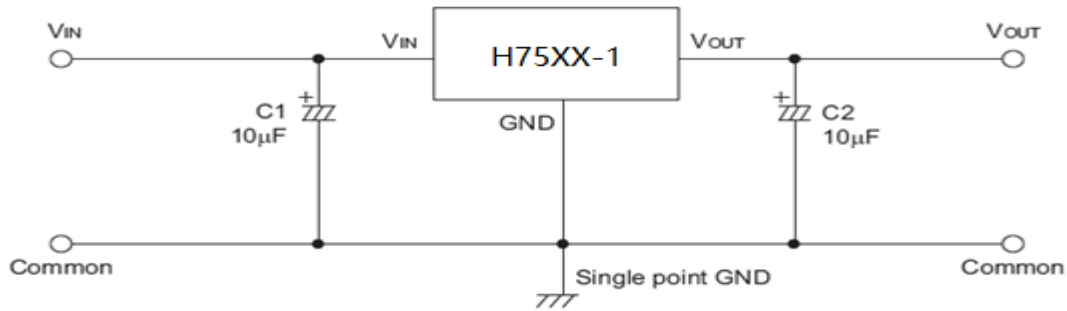
### H7550-1, +5.0V Output Type

Symbol	Parameter	Test Conditions		Min.	Typ.	Max.	Unit
		V <sub>IN</sub>	Conditions				
V <sub>OUT</sub>	Output Voltage	7V	I <sub>OUT</sub> =10mA	4.9	5.00	5.1	V
I <sub>OUT</sub>	Output Current	7V	-	120	150	-	mA
ΔV <sub>OUT</sub>	Load Regulation	7V	1mA ≤ I <sub>OUT</sub> ≤ 50mA	-	60	150	mV
V <sub>DIF</sub>	Voltage Drop(Note)	-	I <sub>OUT</sub> =1mA, ΔV <sub>OUT</sub> =2%	-	50	-	mV
I <sub>SS</sub>	Current Consumption	7V	No load	-	1.5	2.0	μA
$\frac{\Delta V_{OUT}}{\Delta V_{IN} \times V_{OUT}}$	Line Regulation	-	6V ≤ V <sub>IN</sub> ≤ 16V I <sub>OUT</sub> =1mA	-	0.2	-	%/V
V <sub>IN</sub>	Input Voltage	-	-	-	-	15	V
$\frac{\Delta V_{OUT}}{\Delta T_a}$	Temperature Coefficient	7V	I <sub>OUT</sub> =10mA 0°C < T <sub>a</sub> < 70°C	-	±0.75	-	mV/°C

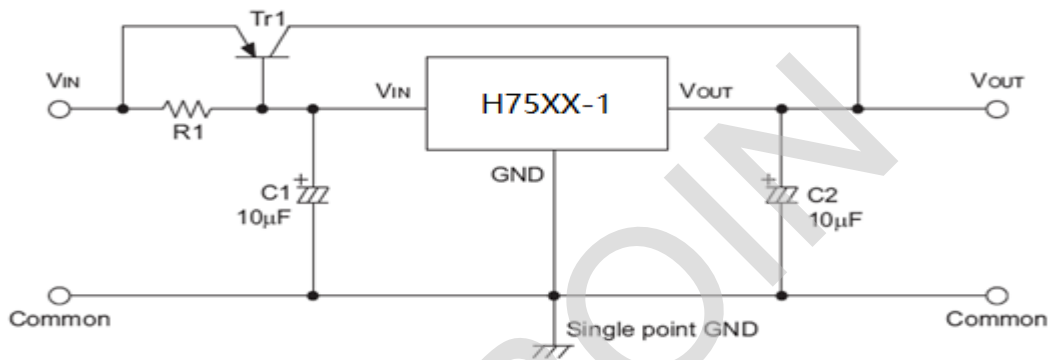
Note: Dropout voltage is defined as the input voltage minus the output voltage that produces a 2% change in the output voltage from the value at V<sub>IN</sub> = V<sub>OUT</sub>+2V with a fixed load.

### Application Circuits

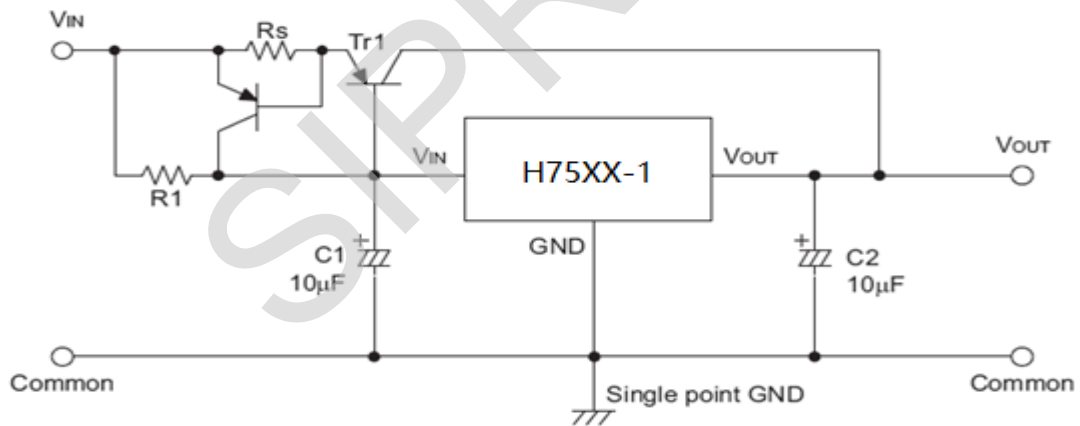
#### Basic Circuits



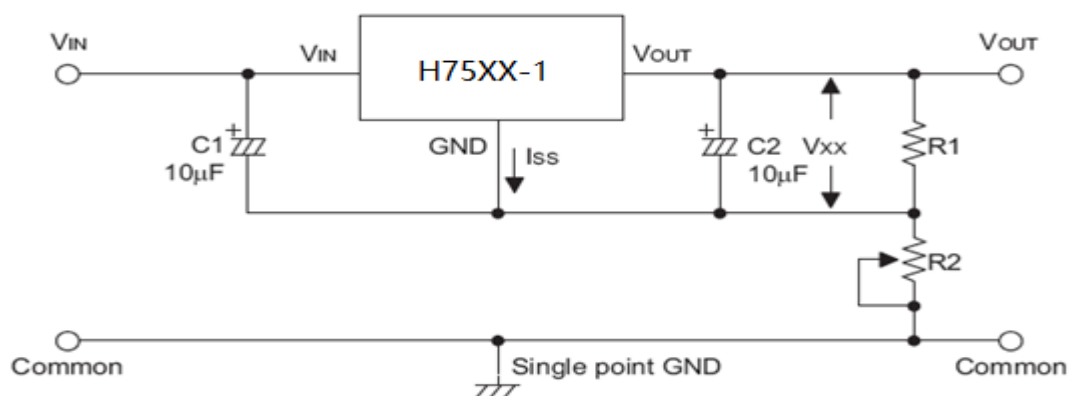
#### High Output Current Positive Voltage Regulator



#### Short-Circuit Protection by Tr1

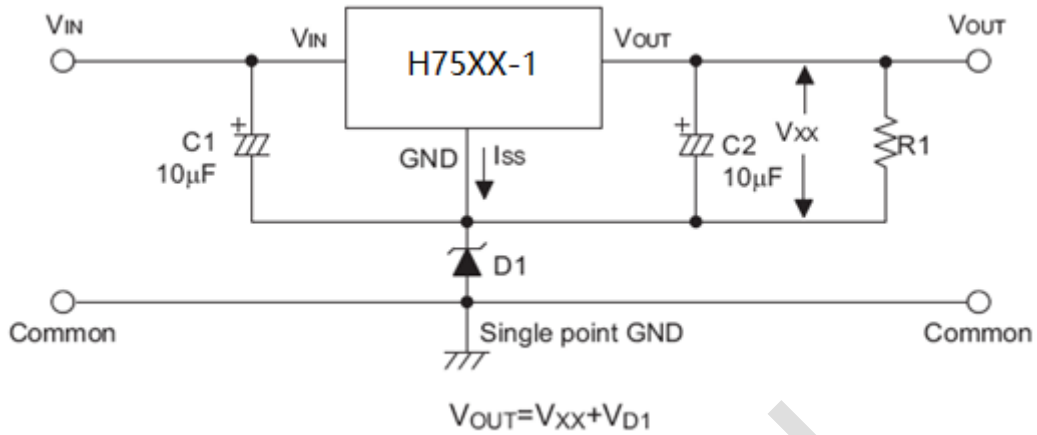


#### Circuit for Increasing Output Voltage

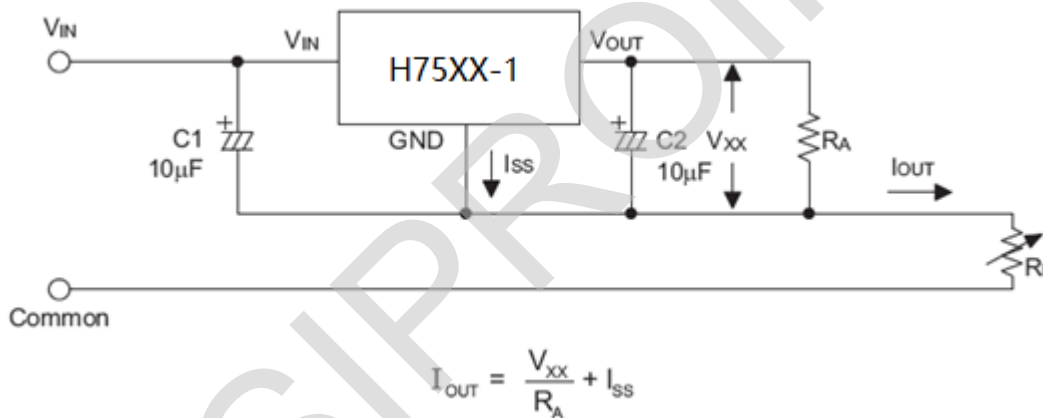




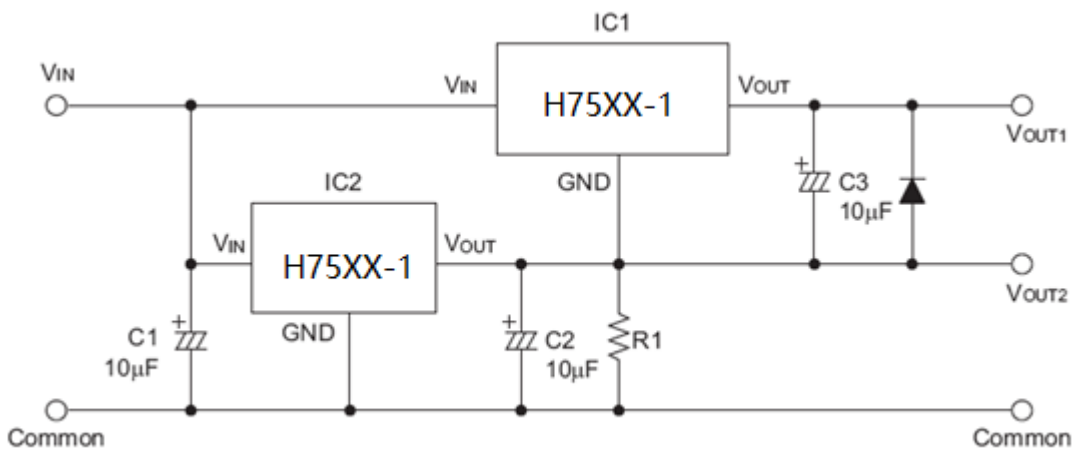
### Circuit for Increasing Output Voltage



### Constant Current Regulator

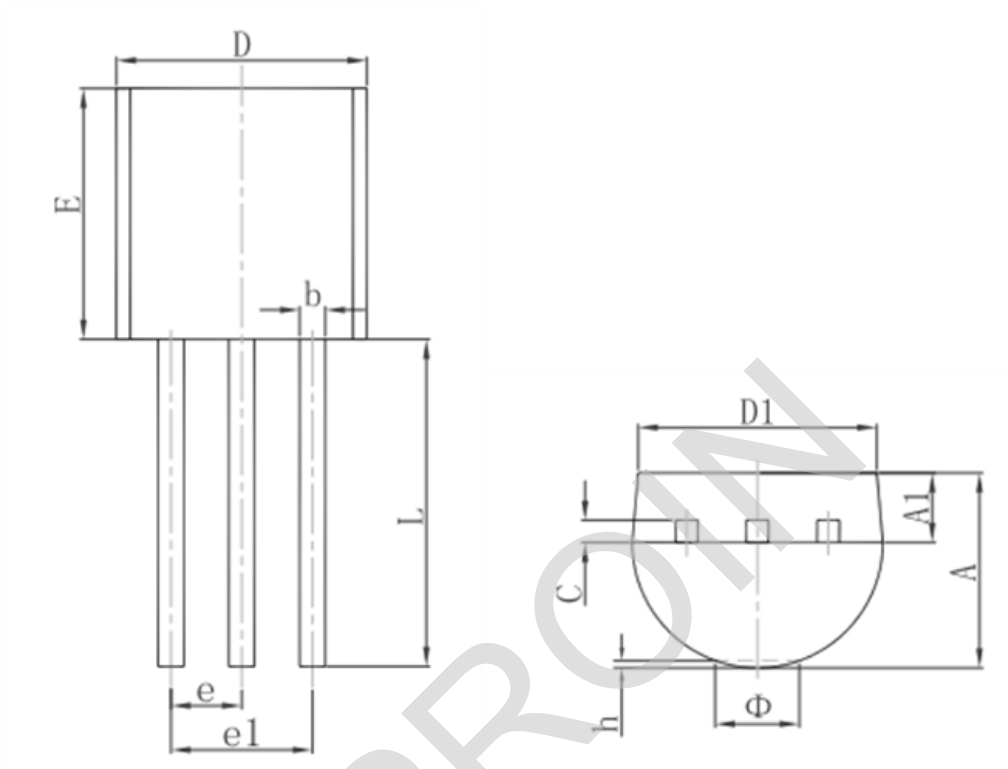


### Dual Supply



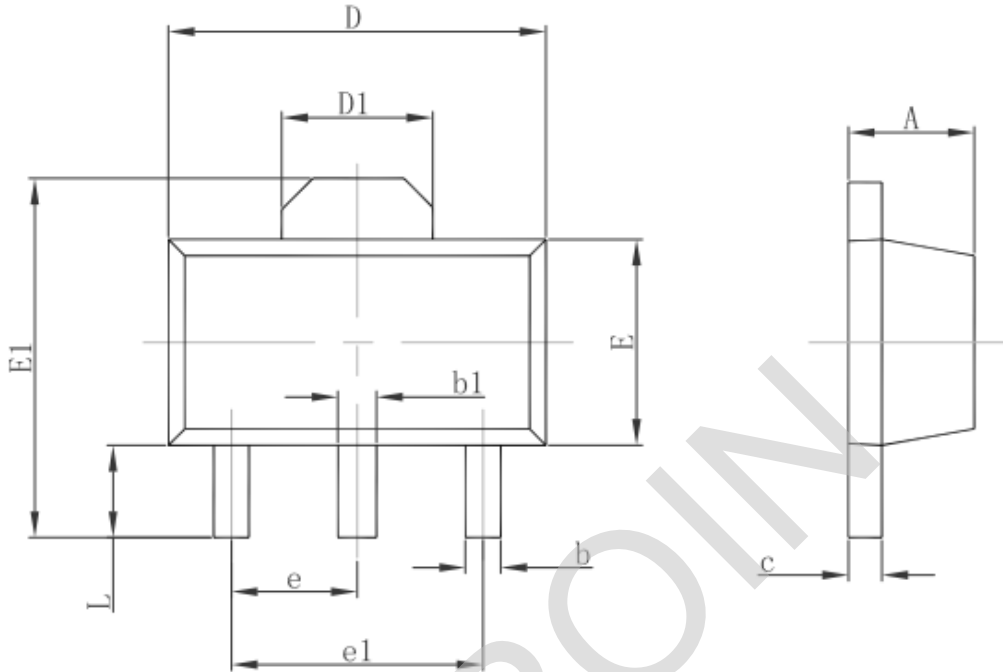
### Package Information

#### 3-pin TO92 Outline Dimensions



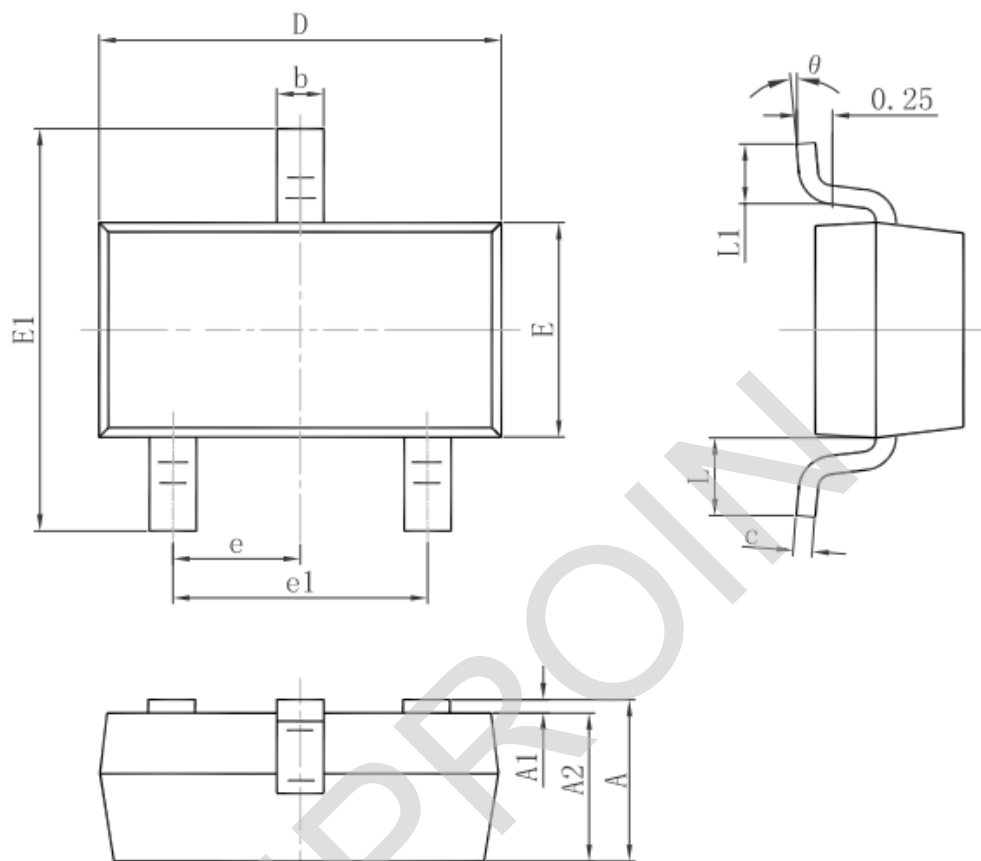
Symbol	Dimensions In Millimeters		Dimensions In Inches	
	Min.	Max.	Min.	Max.
A	3.300	3.700	0.130	0.146
A1	1.100	1.400	0.043	0.055
b	0.380	0.550	0.015	0.022
c	0.360	0.510	0.014	0.020
D	4.300	4.700	0.169	0.185
D1	3.430		0.135	
E	4.300	4.700	0.169	0.185
e	1.270 TYP.		0.050 TYP.	
e1	2.440	2.640	0.096	0.104
L	14.100	14.500	0.555	0.571
Phi		1.600		0.063
h	0.000	0.380	0.000	0.015

### 3-pin SOT89 Outline Dimensions



Symbol	Dimensions In Millimeters		Dimensions In Inches	
	Min.	Max.	Min.	Max.
A	1.400	1.600	0.055	0.063
b	0.320	0.520	0.013	0.020
b1	0.400	0.580	0.016	0.023
c	0.350	0.440	0.014	0.017
D	4.400	4.600	0.173	0.181
D1	1.550 REF.		0.061 REF.	
E	2.300	2.600	0.091	0.102
E1	3.940	4.250	0.155	0.167
e	1.500 TYP.		0.060 TYP.	
e1	3.000 TYP.		0.118 TYP.	
L	0.900	1.200	0.035	0.047

### 3-pin SOT23 Outline Dimensions



Symbol	Dimensions In Millimeters		Dimensions In Inches	
	Min.	Max.	Min.	Max.
A	0.900	1.150	0.035	0.045
A1	0.000	0.100	0.000	0.004
A2	0.900	1.050	0.035	0.041
b	0.300	0.500	0.012	0.020
c	0.080	0.150	0.003	0.006
D	2.800	3.000	0.110	0.118
E	1.200	1.400	0.047	0.055
E1	2.250	2.550	0.089	0.100
e	0.950 TYP.		0.037 TYP.	
e1	1.800	2.000	0.071	0.079
L	0.550 REF.		0.022 REF.	
L1	0.300	0.500	0.012	0.020
$\theta$	0°	8°	0°	8°

## X-ON Electronics

Largest Supplier of Electrical and Electronic Components

*Click to view similar products for [LDO Voltage Regulators](#) category:*

*Click to view products by [Siproin](#) manufacturer:*

Other Similar products are found below :

[AP7363-SP-13](#) [L79M05TL-E](#) [AP7362-HA-7](#) [PT7M8202B12TA5EX](#) [TCR3DF185,LM\(CT](#) [TCR3DF45,LM\(CT](#) [TLE4473G V52](#) [059985X](#)  
[NCP4687DH15T1G](#) [701326R](#) [NCV8170AXV250T2G](#) [AP7315-25W5-7](#) [AP2111H-1.2TRG1](#) [ZLDO1117QK50TC](#) [AZ1117ID-ADJTRG1](#)  
[TCR3DG12,LF](#) [MIC5514-3.3YMT-T5](#) [SCD7912BTG](#) [NCP154MX180270TAG](#) [SCD33269T-5.0G](#) [NCV8170BXV330T2G](#)  
[NCV8170BMX330TCG](#) [NCV8170AMX120TCG](#) [NCP706ABMX300TAG](#) [NCP153MX330180TCG](#) [NCP114BMX075TCG](#) [MC33269T-3.5G](#)  
[CAT6243-ADJCMT5T](#) [TCR3DG33,LF](#) [TCR4DG35,LF](#) [TAR5S15U\(TE85L,F\)](#) [TAR5S18U\(TE85L,F\)](#) [TCR3UG19A,LF](#) [TCR4DG105,LF](#)  
[MPQ2013AGG-5-P](#) [NCV8170AMX360TCG](#) [TLE4268GSXUMA2](#) [NCP715SQ15T2G](#) [MIC5317-3.0YD5-T5](#) [NCV563SQ18T1G](#)  
[NCP715MX30TBG](#) [NCV8702MX25TCG](#) [NCV8170BXV120T2G](#) [MIC5317-1.2YD5-T5](#) [NCV8170AMX150TCG](#) [NCV8170BMX150TCG](#)  
[AP2213D-3.3TRG1](#) [NCV8170BMX120TCG](#) [NCV8170BMX310TCG](#) [NCV8170BMX360TCG](#)