

## Features

- External parts: Coil, capacitor
- Output voltage: Settable to between 2.1V to 5.5V in 0.1V steps
- Maximum Oscillation frequency :300KHz
- Accuracy of  $\pm 2\%$
- High efficiency :95%
- Package: SOT23,SOT23-3 and TO92

## Applications

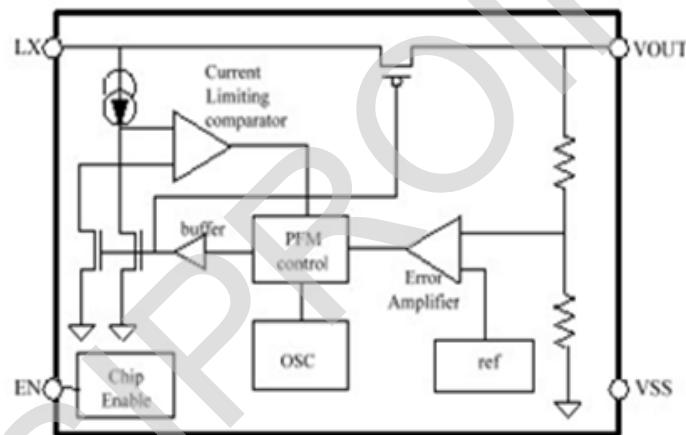
- Digital cameras
- Electronic notebooks and PDAS
- Portable CD/MD players
- Cameras , video equipment
- Communications equipment
- Power supply for microcomputers

## General Description

The H8116 Series is a Synchronous step-up DC/DC Converter with PFM Control. With the H8116 Series, a step-up switching DC/DC converter can be configured by using an external

coil, capacitor. The built-in MOSFET is turned off by a protection circuit when the voltage at the LX pin exceeds the limit to prevent it from being damaged.

## Block Diagram



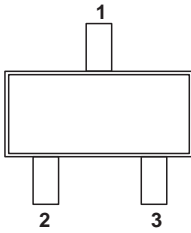
## Order Information

H8116①②③④⑤

Designator	Symbol	Description
①	A	Standard
②③	Integer	Output Voltage (2.1V~5.5V) e.g:3.0V=②: 3; ③: 0
④	T	Package:TO-92
	M	Package:SOT23-3
	N	Package:SOT23
⑤	R	RoHS / Pb Free
	G	Halogen Free

## Pin Assignment

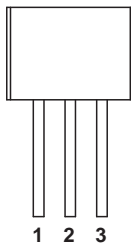
SOT23 or SOT23-3



**Table1 H8116A series (SOT23/SOT23-3 PKG)**

PIN NO.	PIN NAME	FUNCTION
1	VOUT	Output voltage pin
2	Vss	GND pin
3	LX	External inductor connection pin

TO92



**Table2 H8116A series (TO92 PKG)**

PIN NO.	PIN NAME	FUNCTION
1	Vss	GND pin
2	VOUT	Output voltage pin
3	LX	External inductor connection pin

## Absolute Maximum Ratings

(Unless otherwise specified, Ta=25°C)

PARAMETER	SYMBOL	RATINGS	UNITS	
VOUT Pin Voltage	$V_{OUT}$	$V_{SS}-0.3\sim V_{SS}+8$	V	
EN Pin Voltage	EN	$V_{SS}-0.3\sim V_{SS}+8$	V	
LX Pin Voltage	$V_{LX}$	$V_{SS}-0.3\sim V_{SS}+8$	V	
LX Pin Current	$I_{LX}$	1000	mA	
Power Dissipation	SOT23	PD	250	mW
	SOT23-3		250	mW
	TO-92		500	mW
Operating Temperature	$T_{OPR}$	-40~+85	°C	
Storage Temperature	$T_{STG}$	-40~+125	°C	
Soldering Temperature & Time	$T_{SOLDER}$	260°C, 10s		

Note: These are stress ratings only. Stresses exceeding the range specified under “Absolute Maximum Ratings” may cause substantial damage to the device. Functional operation of this device at other conditions beyond those listed in the specification is not implied and prolonged exposure to extreme conditions may affect device reliability.

## Electrical Characteristics

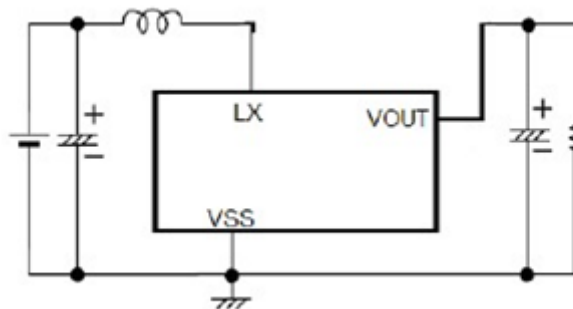
(Unless otherwise specified, Ta = 25°C)

PARAMETER	SYMBOL	MIN	TYP	MAX	UNITS	CONDITION
Output Voltage	V <sub>OUT</sub>	V <sub>OUT(S)</sub> × 0.98	V <sub>OUT</sub>	V <sub>OUT(S)</sub> × 1.02	V	-
Input Voltage	V <sub>IN</sub>	-	-	7.5	V	-
Operation Start Voltage	V <sub>ST1</sub>		-	0.9	V	I <sub>OUT</sub> =1mA V <sub>OUT</sub> =2.2V~4.2V
Operation Start Voltage	V <sub>ST1</sub>	-	-	1.2	V	I <sub>OUT</sub> =1mA V <sub>OUT</sub> =4.2V~5.5V
Input Current At No Load	I <sub>SS</sub>		15	25	μA	V <sub>IN</sub> =1.8V, V <sub>OUT</sub> =3.0V
			25	35	μA	V <sub>IN</sub> =0.9V, V <sub>OUT</sub> =3.0V
Current Consumption 2	I <sub>SS2</sub>	-	6	10	μA	V <sub>OUT</sub> =V <sub>OUT</sub> +0.5V
Current Consumption During Shutdown	I <sub>SSS</sub>	-	-	1.0	μA	V <sub>EN</sub> =0V
Maximum Oscillation Frequency	fosc		300		KHz	V <sub>OUT</sub> =0.95xV <sub>OUT</sub> , measure Waveform at LX pin
Duty Ratio1	Duty1	70	78	85	%	V <sub>OUT</sub> =0.95xV <sub>OUT</sub>
Efficiency	EFF1		90		%	
Shutdown Pin Input Voltage	V <sub>SH</sub>	0.75	-	-	V	V <sub>OUT</sub> =0.95xV <sub>OUT</sub> , judge Oscillation at LX pin
	V <sub>SL1</sub>	-	-	0.3	V	V <sub>OUT</sub> =0.95xV <sub>OUT</sub> , judge stop at LX pin
Shutdown Pin input Current	I <sub>SH</sub>	-0.1	-	0.1	μA	V <sub>EN</sub> =6V
	I <sub>SL</sub>	-0.1	-	0.1	μA	V <sub>EN</sub> =0V

Remark: V<sub>OUT(S)</sub> specified above is the set output voltage value, and V<sub>OUT</sub> is the typical value of the actual output voltage

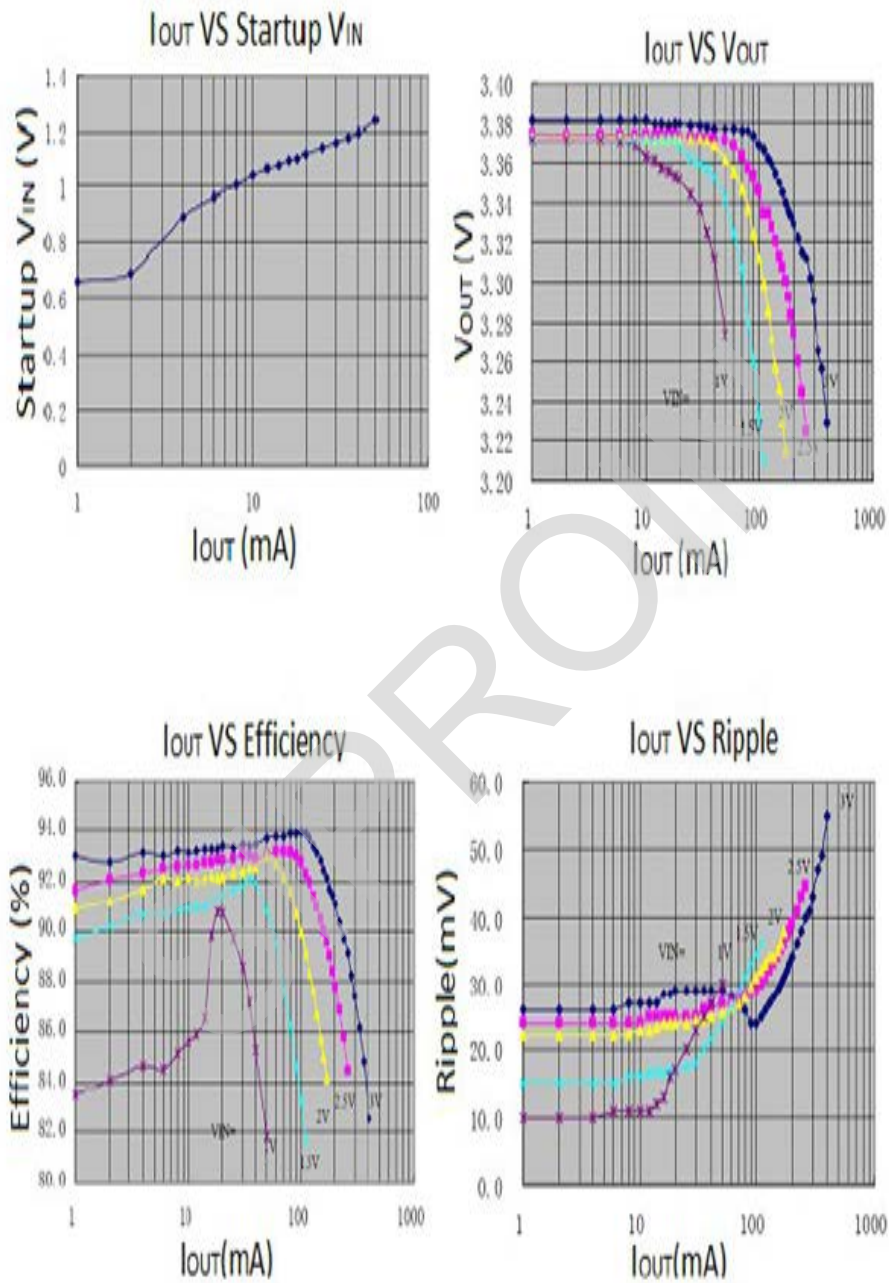
## Application Circuits

### H8116A



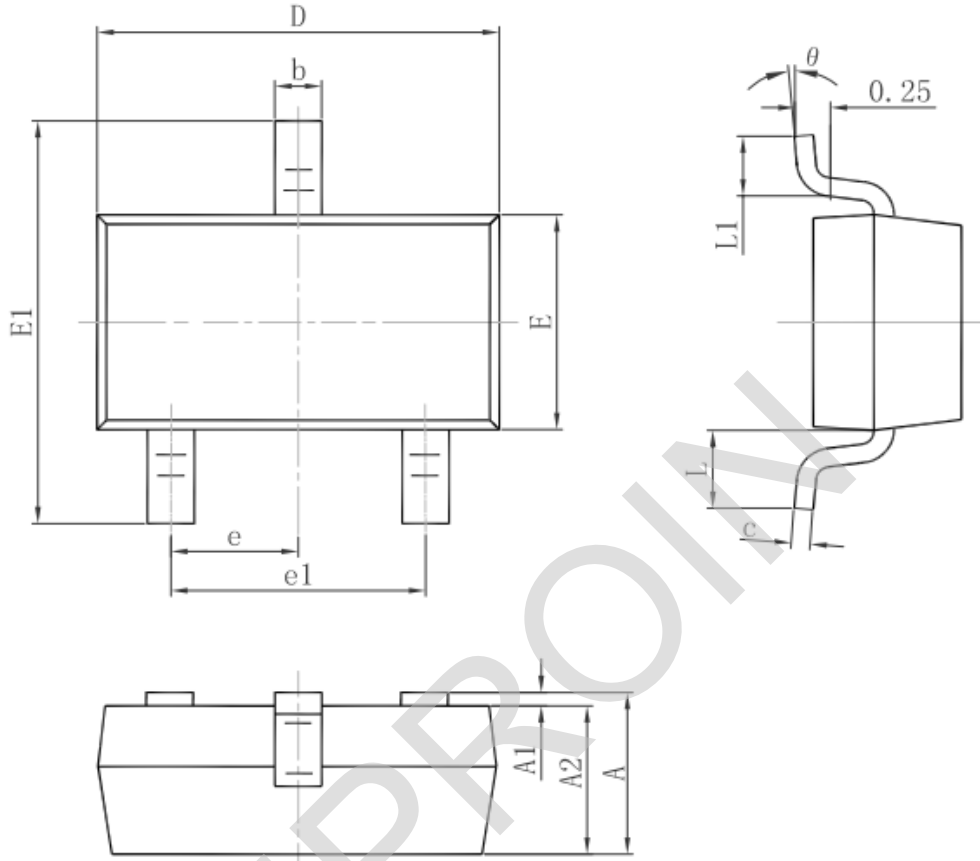
## TYPICAL PERFORMANCE CHARACTERISTICS

(C<sub>in</sub>=C<sub>out</sub>=100uF,L=47uH)



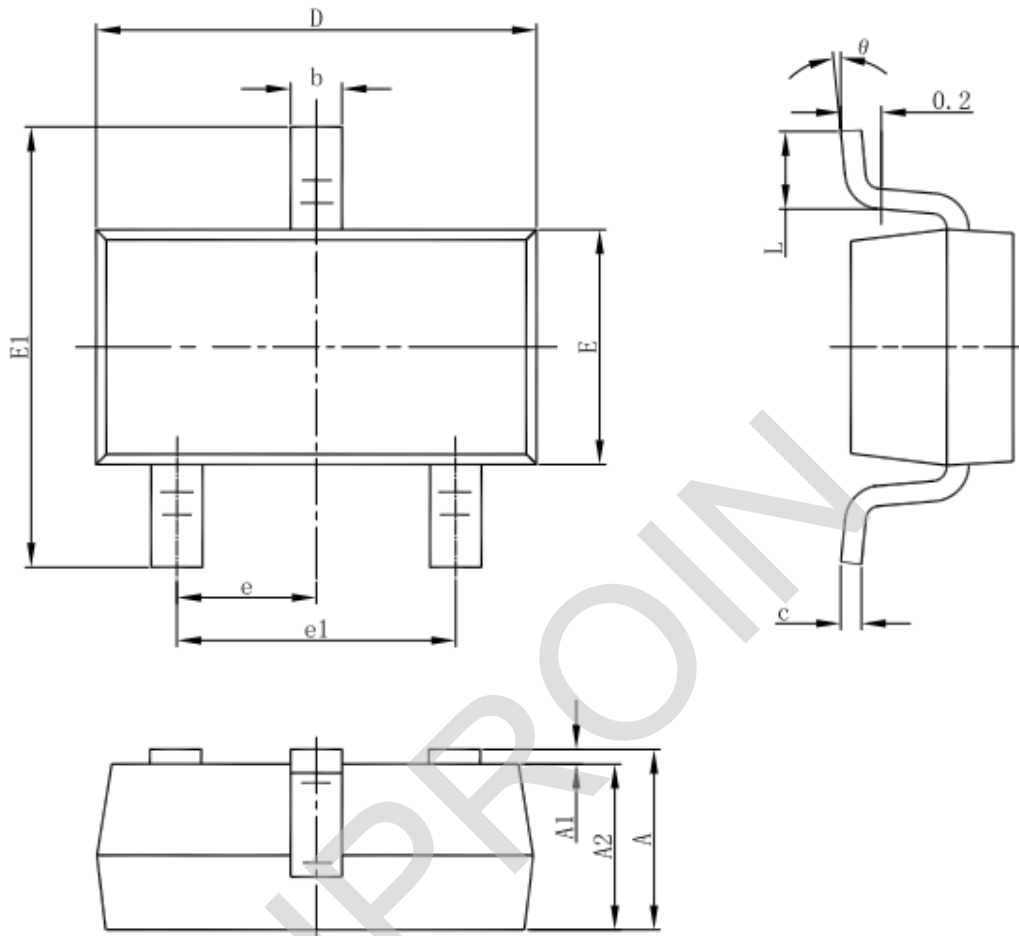
## Package Information

### 3-pin SOT23 Outline Dimensions



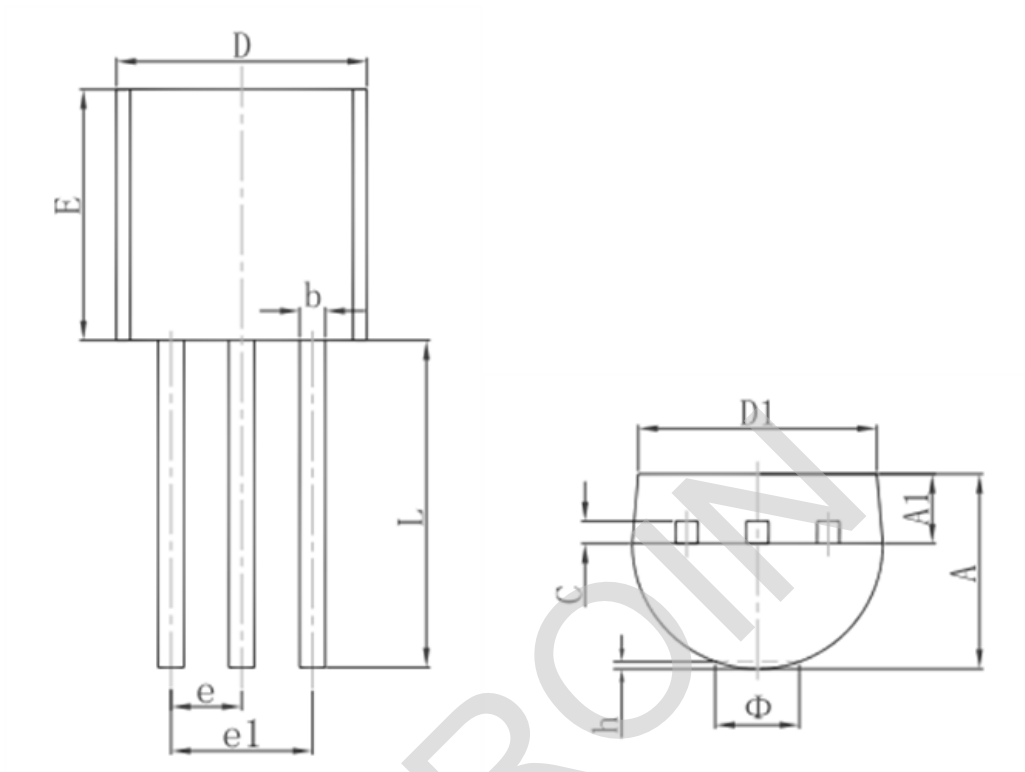
Symbol	Dimensions In Millimeters		Dimensions In Inches	
	Min.	Max.	Min.	Max.
A	0.900	1.150	0.035	0.045
A1	0.000	0.100	0.000	0.004
A2	0.900	1.050	0.035	0.041
b	0.300	0.500	0.012	0.020
c	0.080	0.150	0.003	0.006
D	2.800	3.000	0.110	0.118
E	1.200	1.400	0.047	0.055
E1	2.250	2.550	0.089	0.100
e	0.950 TYP.		0.037 TYP.	
e1	1.800	2.000	0.071	0.079
L	0.550 REF.		0.022 REF.	
L1	0.300	0.500	0.012	0.020
θ	0°	8°	0°	8°

## 3-pin SOT23-3 Outline Dimensions



Symbol	Dimensions In Millimeters		Dimensions In Inches	
	Min	Max	Min	Max
A	1.050	1.250	0.041	0.049
A1	0.000	0.100	0.000	0.004
A2	1.050	1.150	0.041	0.045
b	0.300	0.500	0.012	0.020
c	0.100	0.200	0.004	0.008
D	2.820	3.020	0.111	0.119
E	1.500	1.700	0.059	0.067
E1	2.650	2.950	0.104	0.116
e	0.950(BSC)		0.037(BSC)	
e1	1.800	2.000	0.071	0.079
L	0.300	0.600	0.012	0.024
θ	0°	8°	0°	8°

## 3-pin TO92 Outline Dimensions



Symbol	Dimensions in Millimeters		Dimensions in Inches	
	Min.	Max.	Min.	Max.
A	3.300	3.700	0.130	0.146
A1	1.100	1.400	0.043	0.055
b	0.380	0.550	0.015	0.022
c	0.360	0.510	0.014	0.020
D	4.300	4.700	0.169	0.185
D1	3.430		0.135	
E	4.300	4.700	0.169	0.185
e	1.270 TYP.		0.050 TYP.	
e1	2.440	2.640	0.096	0.104
L	14.100	14.500	0.555	0.571
Φ		1.600		0.063
h	0.000	0.380	0.000	0.015

## X-ON Electronics

Largest Supplier of Electrical and Electronic Components

*Click to view similar products for [Isolated DC/DC Converters](#) category:*

*Click to view products by [Siproin](#) manufacturer:*

Other Similar products are found below :

[ESM6D044440C05AAQ](#) [FMD15.24G](#) [PSL486-7LR](#) [PSR152.5-7IR](#) [Q48T30020-NBB0](#) [AVO240-48S12B-6L](#) [AVO250-48S28B-6L](#) [NAN-0505](#) [HW-L16D](#) [JAHW100Y1](#) [217-1617-001](#) [22827](#) [SPB05C-12](#) [SQ24S15033-PS0S](#) [18952](#) [19-130041](#) [CE-1003](#) [CE-1004](#) [GQ2541-7R](#) [PSE1000DCDC-12V](#) [RDS180245](#) [MAU228](#) [419-2065-201](#) [449-2075-101](#) [TME 0303S](#) [TME 0505S](#) [TME 1205S](#) [TME 1212S](#) [TME 2405S](#) [TME 2412S](#) [J80-0041NL](#) [V300C24C150BG](#) [419-2062-200](#) [419-2063-401](#) [419-2067-101](#) [419-2067-501](#) [419-2068-001](#) [DCG40-5G](#) [DFC15U48D15](#) [449-2067-000](#) [XGS-0512](#) [XGS-1205](#) [XGS-1212](#) [XGS-2412](#) [XGS-2415](#) [XKS-1215](#) [033456](#) [NCT1000N040R050B](#) [SPB05B-15](#) [SPB05C-15](#)