

Features

- External parts: Coil, capacitor
- Output voltage: Settable to between 2.1V to 5.5V in 0.1V steps
- Maximum Oscillation frequency :300KHz
- Accuracy of $\pm 2\%$
- High efficiency :95%
- Package: SOT23-5 and SOT89

Applications

- Digital cameras
- Electronic notebooks and PDAS
- Portable CD/MD players
- Cameras , video equipment
- Communications equipment
- Power supply for microcomputers

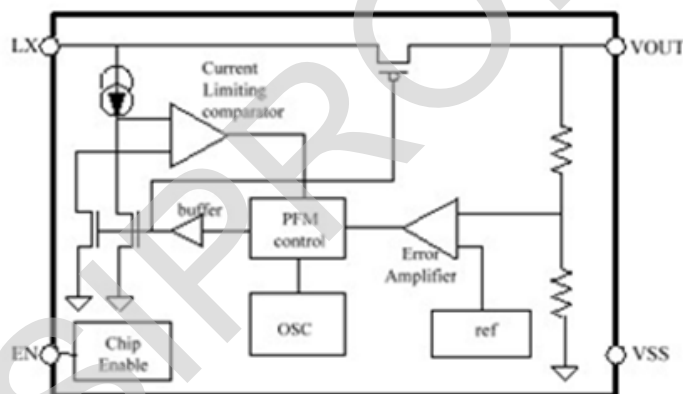
General Description

The H8118 Series is a Synchronous step-up DC/DC Converter with PFM Control.

With the H8118 Series, a step-up switching DC/DC converter can be configured by using

an external coil, capacitor. The built-in MOSFET is turned off by a protection circuit when the voltage at the LX pin exceeds the limit to prevent it from being damaged.

Block Diagram



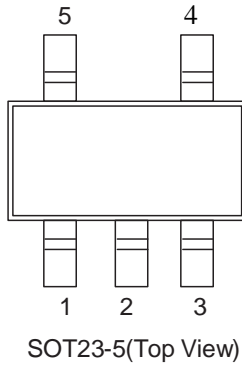
Order Information

H8118①②③④⑤

| Designator | Symbol | Description |
|------------|---------|--|
| ① | A | Standard |
| ②③ | Integer | Output Voltage(2.1V~5.5V) e.g:3.3V=②: 3; ③: 3 |
| ④ | P | Package:SOT89 |
| | M5 | Package:SOT23-5 |
| ⑤ | R | RoHS / Pb Free |
| | G | Halogen Free |

Pin Assignment

Table1 H8118A series (SOT23-5 PKG)



| PIN NO. | PIN NAME | FUNCTION |
|---------|----------|---|
| 1 | EN | Shutdown pin “H”: Normal operation “L”: Step-up stopped |
| 2 | VOUT | Output voltage pin |
| 3 | NC | (N.C.) |
| 4 | GND | GND pin |
| 5 | LX | External inductor connection pin |

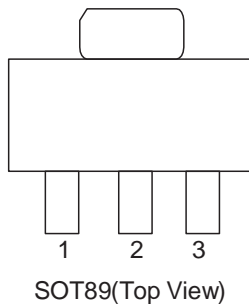


Table2 H8118A series (SOT89 PKG)

| PIN NO. | PIN NAME | FUNCTION |
|---------|----------|----------------------------------|
| 1 | GND | GND pin |
| 2 | VOUT | Output voltage pin |
| 3 | LX | External inductor connection pin |

Absolute Maximum Ratings

(Unless otherwise specified, $T_a=25^{\circ}\text{C}$)

| PARAMETER | | SYMBOL | RATINGS | UNITS |
|------------------------------|----------|---------------------|---|--------------------|
| VOUT Pin Voltage | | V_{OUT} | $V_{\text{SS}}-0.3\sim V_{\text{SS}}+8$ | V |
| EN Pin Voltage | | EN | $V_{\text{SS}}-0.3\sim V_{\text{SS}}+8$ | V |
| LX Pin Voltage | | V_{LX} | $V_{\text{SS}}-0.3\sim V_{\text{SS}}+8$ | V |
| LX Pin Current | | I_{LX} | 1000 | mA |
| Power Dissipation | SOT23-5 | PD | 250 | mW |
| | SOT-89-3 | | 500 | mW |
| Operating Temperature | | T_{OPR} | -40~+85 | $^{\circ}\text{C}$ |
| Storage Temperature | | T_{STG} | -40~+125 | $^{\circ}\text{C}$ |
| Soldering Temperature & Time | | T_{SOLDER} | 260 $^{\circ}\text{C}$, 10s | |

Note: These are stress ratings only. Stresses exceeding the range specified under “Absolute Maximum Ratings” may cause substantial damage to the device. Functional operation of this device at other conditions beyond those listed in the specification is not implied and prolonged exposure to extreme conditions may affect device reliability.

Electrical Characteristics

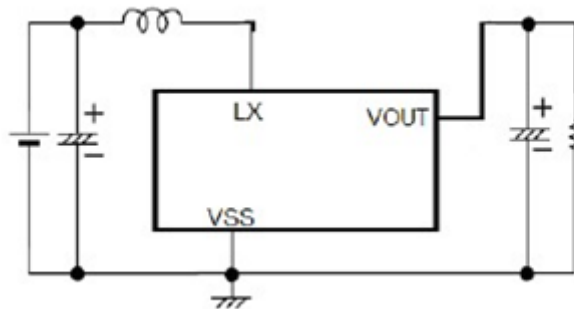
(Unless otherwise specified, Ta = 25°C)

| PARAMETER | SYMBOL | MIN | TYP | MAX | UNITS | CONDITION |
|-------------------------------------|------------------|-------------------------------|------------------|-------------------------------|-------|--|
| Output Voltage | V _{OUT} | V _{OUT(S)} × 0.98 | V _{OUT} | V _{OUT(S)} × 1.02 | V | - |
| Input Voltage | V _{IN} | - | - | 7.5 | V | - |
| Operation Start Voltage | V _{ST1} | - | - | 0.9 | V | I _{OUT} =1mA, V _{OUT} =2.2V~4.2V |
| Operation Start Voltage | V _{ST1} | - | - | 1.2 | V | I _{OUT} =1mA, V _{OUT} =4.2V~5.5V |
| Input Current At No Load | I _{SS} | - | 15 | 25 | uA | V _{IN} =1.8V, V _{OUT} =3.0V |
| | | - | 25 | 35 | uA | V _{IN} =0.9V, V _{OUT} =3.0V |
| Current Consumption 2 | I _{SS2} | - | 6 | 10 | uA | V _{OUT} =V _{OUT(S)} +0.5V |
| Current Consumption During Shutdown | I _{SSS} | - | - | 1.0 | uA | V _{EN} =0V |
| Maximum Oscillation Frequency | fosc | | 300 | | KHz | V _{OUT} =0.95xV _{OUT(S)} , measure Waveform at LX pin |
| Duty Ratio1 | Duty1 | 70 | 78 | 85 | % | V _{OUT} =0.95xV _{OUT(S)} |
| Efficiency | EFF1 | | 90 | | % | |
| Shutdown Pin Input Voltage | V _{SH} | 0.75 | - | - | V | V _{OUT} =0.95xV _{OUT(S)} , judge Oscillation at LX pin |
| | V _{SL1} | - | - | 0.3 | V | V _{OUT} =0.95xV _{OUT(S)} , judge stop at LX pin |
| Shutdown Pin input Current | I _{SH} | -0.1 | - | 0.1 | uA | V _{EN} =6V |
| | I _{SL} | -0.1 | - | 0.1 | uA | V _{EN} =0V |

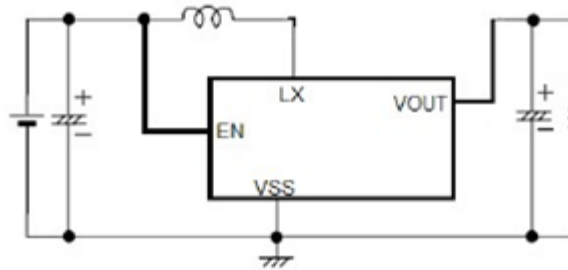
Remark: V_{OUT(S)} specified above is the set output voltage value, and V_{OUT} is the typical value of the actual output voltage

Application Circuits

1) H8118A without CE



2) H8118A with CE

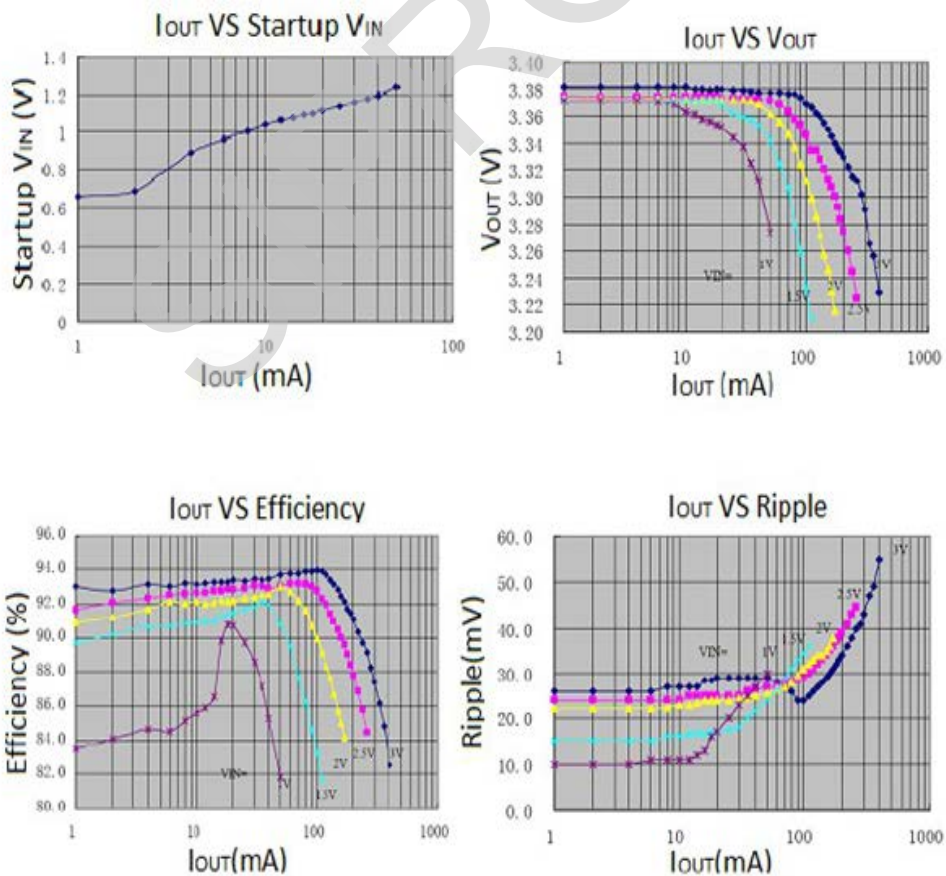


Note: External Component Recommendation:

- 1) $L=47\mu\text{H}$ (Sumida)
- 2) $C_F=47\mu\text{F}/16\text{V}$ (Tantalum)

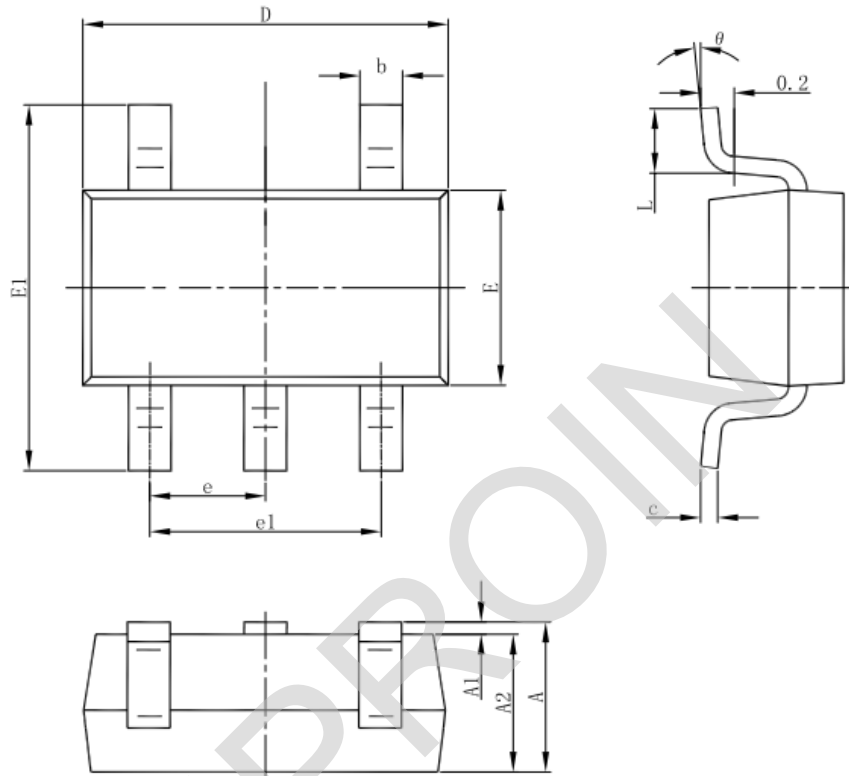
TYPICAL PERFORMANCE CHARACTERISTICS

($C_{in}=C_{out}=100\mu\text{F}$, $L=47\mu\text{H}$)



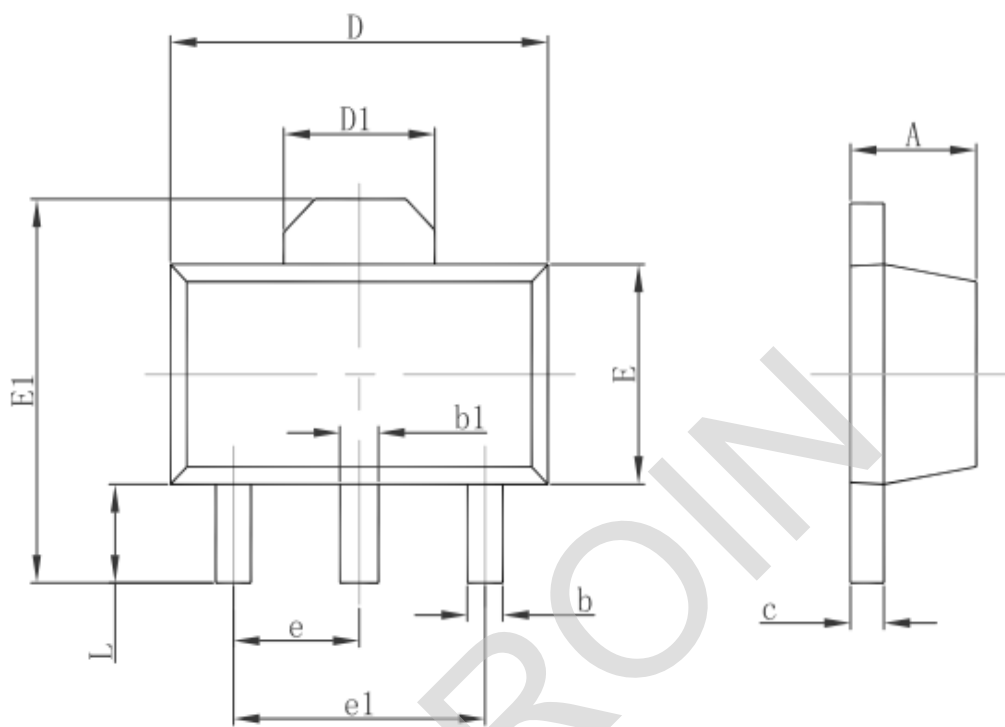
Package Information

5-pin SOT23-5L Outline Dimensions



| Symbol | Dimensions In Millimeters | | Dimensions In Inches | |
|--------|---------------------------|-------|----------------------|-------|
| | Min | Max | Min | Max |
| A | 1.050 | 1.250 | 0.041 | 0.049 |
| A1 | 0.000 | 0.100 | 0.000 | 0.004 |
| A2 | 1.050 | 1.150 | 0.041 | 0.045 |
| b | 0.300 | 0.500 | 0.012 | 0.020 |
| c | 0.100 | 0.200 | 0.004 | 0.008 |
| D | 2.820 | 3.020 | 0.111 | 0.119 |
| E | 1.500 | 1.700 | 0.059 | 0.067 |
| E1 | 2.650 | 2.950 | 0.104 | 0.116 |
| e | 0.950(BSC) | | 0.037(BSC) | |
| e1 | 1.800 | 2.000 | 0.071 | 0.079 |
| L | 0.300 | 0.600 | 0.012 | 0.024 |
| theta | 0° | 8° | 0° | 8° |

3-pin SOT89-3 Outline Dimensions



| Symbol | Dimensions In Millimeters | | Dimensions In Inches | |
|--------|---------------------------|-------|----------------------|-------|
| | Min. | Max. | Min. | Max. |
| A | 1.400 | 1.600 | 0.055 | 0.063 |
| b | 0.320 | 0.520 | 0.013 | 0.020 |
| b1 | 0.400 | 0.580 | 0.016 | 0.023 |
| c | 0.350 | 0.440 | 0.014 | 0.017 |
| D | 4.400 | 4.600 | 0.173 | 0.181 |
| D1 | 1.550 REF. | | 0.061 REF. | |
| E | 2.300 | 2.600 | 0.091 | 0.102 |
| E1 | 3.940 | 4.250 | 0.155 | 0.167 |
| e | 1.500 TYP. | | 0.060 TYP. | |
| e1 | 3.000 TYP. | | 0.118 TYP. | |
| L | 0.900 | 1.200 | 0.035 | 0.047 |

X-ON Electronics

Largest Supplier of Electrical and Electronic Components

Click to view similar products for [Isolated DC/DC Converters](#) category:

Click to view products by [Siproin](#) manufacturer:

Other Similar products are found below :

[ESM6D044440C05AAQ](#) [FMD15.24G](#) [PSL486-7LR](#) [PSR152.5-7IR](#) [Q48T30020-NBB0](#) [AVO240-48S12B-6L](#) [AVO250-48S28B-6L](#) [NAN-0505](#) [HW-L16D](#) [JAHW100Y1](#) [217-1617-001](#) [22827](#) [SPB05C-12](#) [SQ24S15033-PS0S](#) [18952](#) [19-130041](#) [CE-1003](#) [CE-1004](#) [GQ2541-7R](#) [PSE1000DCDC-12V](#) [RDS180245](#) [MAU228](#) [419-2065-201](#) [449-2075-101](#) [TME 0303S](#) [TME 0505S](#) [TME 1205S](#) [TME 1212S](#) [TME 2405S](#) [TME 2412S](#) [J80-0041NL](#) [V300C24C150BG](#) [419-2062-200](#) [419-2063-401](#) [419-2067-101](#) [419-2067-501](#) [419-2068-001](#) [DCG40-5G](#) [DFC15U48D15](#) [449-2067-000](#) [XGS-0512](#) [XGS-1205](#) [XGS-1212](#) [XGS-2412](#) [XGS-2415](#) [XKS-1215](#) [033456](#) [NCT1000N040R050B](#) [SPB05B-15](#) [SPB05C-15](#)