

Features

- External parts: Coil, capacitor
- Output voltage: Settable to between 2.1V to 5.5V in 0.1V steps
- Maximum Oscillation frequency :300KHz
- Accuracy of $\pm 2\%$
- High efficiency :95%
- Package: SOT23-5 and SOT89

Applications

- Digital cameras
- Electronic notebooks and PDAS
- Portable CD/MD players
- Cameras , video equipment
- Communications equipment
- Power supply for microcomputers

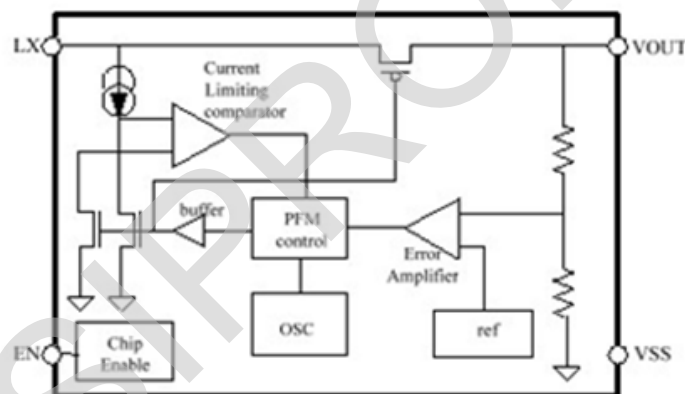
General Description

The H8118 Series is a Synchronous step-up DC/DC Converter with PFM Control.

With the H8118 Series, a step-up switching DC/DC converter can be configured by using

an external coil, capacitor. The built-in MOSFET is turned off by a protection circuit when the voltage at the LX pin exceeds the limit to prevent it from being damaged.

Block Diagram



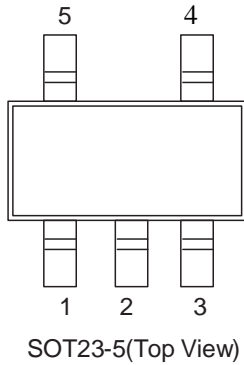
Order Information

H8118①②③④⑤

Designator	Symbol	Description
①	A	Standard
②③	Integer	Output Voltage(2.1V~5.5V) e.g:3.3V=②: 3; ③: 3
④	P	Package:SOT89
	M5	Package:SOT23-5
⑤	R	RoHS / Pb Free
	G	Halogen Free

Pin Assignment

Table1 H8118A series (SOT23-5 PKG)



PIN NO.	PIN NAME	FUNCTION
1	EN	Shutdown pin “H”: Normal operation “L”: Step-up stopped
2	VOUT	Output voltage pin
3	NC	(N.C.)
4	GND	GND pin
5	LX	External inductor connection pin

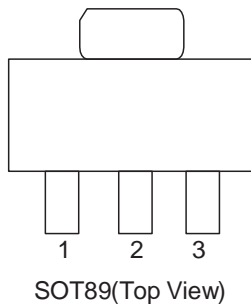


Table2 H8118A series (SOT89 PKG)

PIN NO.	PIN NAME	FUNCTION
1	GND	GND pin
2	VOUT	Output voltage pin
3	LX	External inductor connection pin

Absolute Maximum Ratings

(Unless otherwise specified, $T_a=25^{\circ}\text{C}$)

PARAMETER		SYMBOL	RATINGS	UNITS
VOUT Pin Voltage		V_{OUT}	$V_{SS}-0.3\sim V_{SS}+8$	V
EN Pin Voltage		EN	$V_{SS}-0.3\sim V_{SS}+8$	V
LX Pin Voltage		V_{LX}	$V_{SS}-0.3\sim V_{SS}+8$	V
LX Pin Current		I_{LX}	1000	mA
Power Dissipation	SOT23-5	PD	250	mW
	SOT-89-3		500	mW
Operating Temperature		T_{OPR}	-40~+85	$^{\circ}\text{C}$
Storage Temperature		T_{STG}	-40~+125	$^{\circ}\text{C}$
Soldering Temperature & Time		T_{SOLDER}	260 $^{\circ}\text{C}$, 10s	

Note: These are stress ratings only. Stresses exceeding the range specified under “Absolute Maximum Ratings” may cause substantial damage to the device. Functional operation of this device at other conditions beyond those listed in the specification is not implied and prolonged exposure to extreme conditions may affect device reliability.

Electrical Characteristics

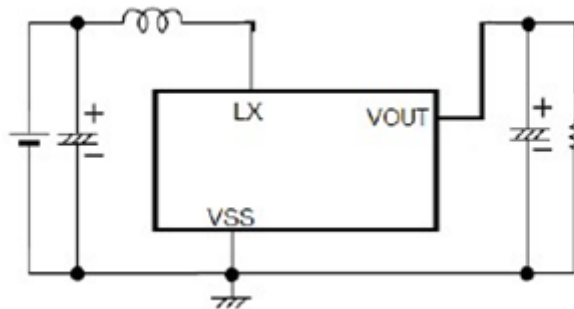
(Unless otherwise specified, $T_a = 25^\circ\text{C}$)

PARAMETER	SYMBOL	MIN	TYP	MAX	UNITS	CONDITION
Output Voltage	V_{OUT}	$V_{OUT(S)} \times 0.98$	V_{OUT}	$V_{OUT(S)} \times 1.02$	V	-
Input Voltage	V_{IN}	-	-	7.5	V	-
Operation Start Voltage	V_{ST1}	-	-	0.9	V	$I_{OUT}=1\text{mA}$, $V_{OUT}=2.2\text{V}\sim 4.2\text{V}$
Operation Start Voltage	V_{ST1}	-	-	1.2	V	$I_{OUT}=1\text{mA}$, $V_{OUT}=4.2\text{V}\sim 5.5\text{V}$
Input Current At No Load	I_{SS}	-	15	25	μA	$V_{IN}=1.8\text{V}$, $V_{OUT}=3.0\text{V}$
		-	25	35	μA	$V_{IN}=0.9\text{V}$, $V_{OUT}=3.0\text{V}$
Current Consumption 2	I_{SS2}	-	6	10	μA	$V_{OUT}=V_{OUT(S)}+0.5\text{V}$
Current Consumption During Shutdown	I_{SSS}	-	-	1.0	μA	$V_{EN}=0\text{V}$
Maximum Oscillation Frequency	f_{osc}		300		KHz	$V_{OUT}=0.95 \times V_{OUT(S)}$, measure Waveform at LX pin
Duty Ratio1	Duty1	70	78	85	%	$V_{OUT}=0.95 \times V_{OUT(S)}$
Efficiency	EFF1		90		%	
Shutdown Pin Input Voltage	V_{SH}	0.75	-	-	V	$V_{OUT}=0.95 \times V_{OUT(S)}$, judge Oscillation at LX pin
	V_{SL1}	-	-	0.3	V	$V_{OUT}=0.95 \times V_{OUT(S)}$, judge stop at LX pin
Shutdown Pin input Current	I_{SH}	-0.1	-	0.1	μA	$V_{EN}=6\text{V}$
	I_{SL}	-0.1	-	0.1	μA	$V_{EN}=0\text{V}$

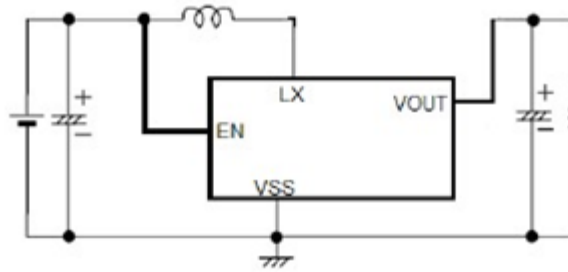
Remark: $V_{OUT(S)}$ specified above is the set output voltage value, and V_{OUT} is the typical value of the actual output voltage

Application Circuits

1) H8118A without CE



2) H8118A with CE

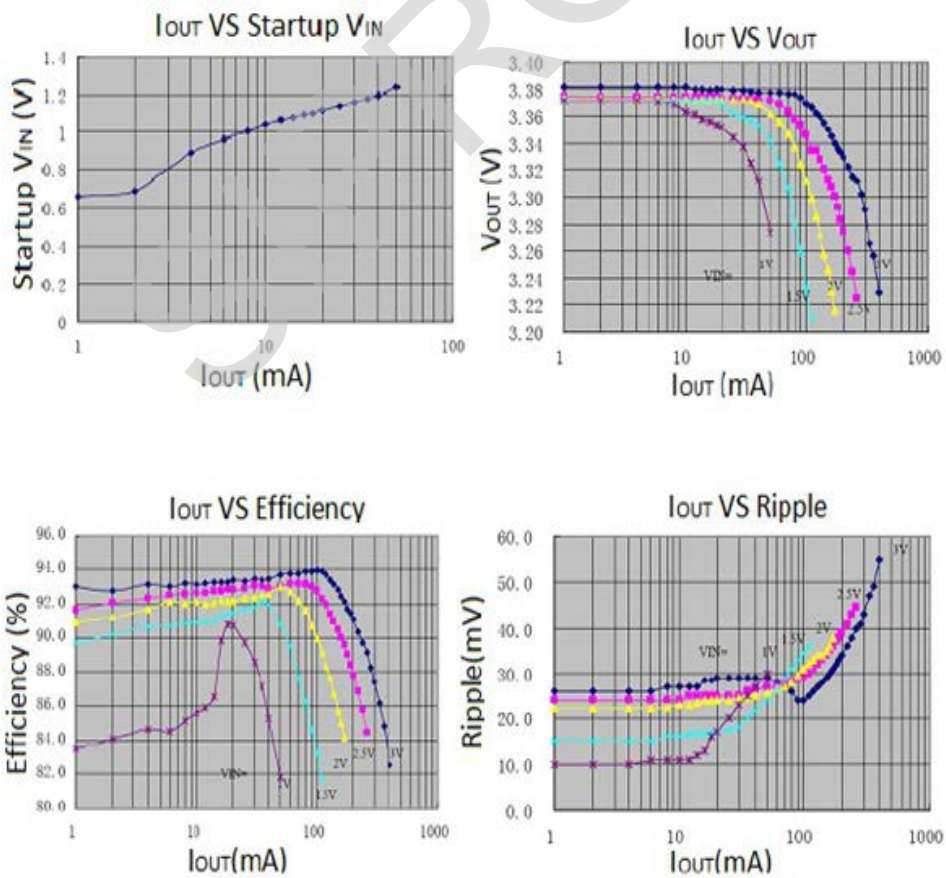


Note: External Component Recommendation:

- 1) $L=47\mu\text{H}$ (Sumida)
- 2) $C_F=47\mu\text{F}/16\text{V}$ (Tantalum)

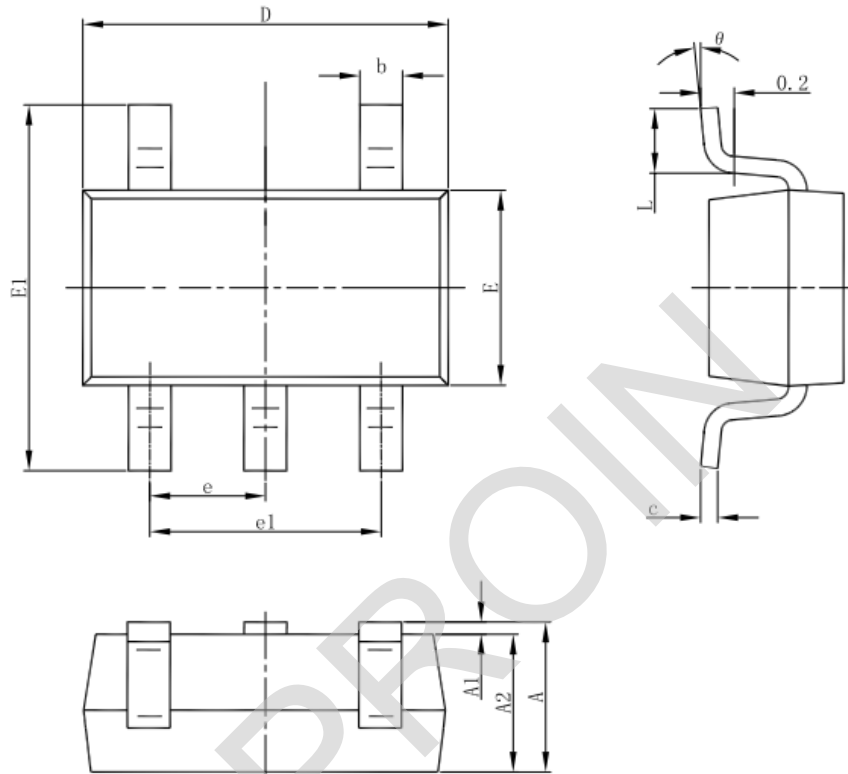
TYPICAL PERFORMANCE CHARACTERISTICS

($C_{in}=C_{out}=100\mu\text{F}$, $L=47\mu\text{H}$)



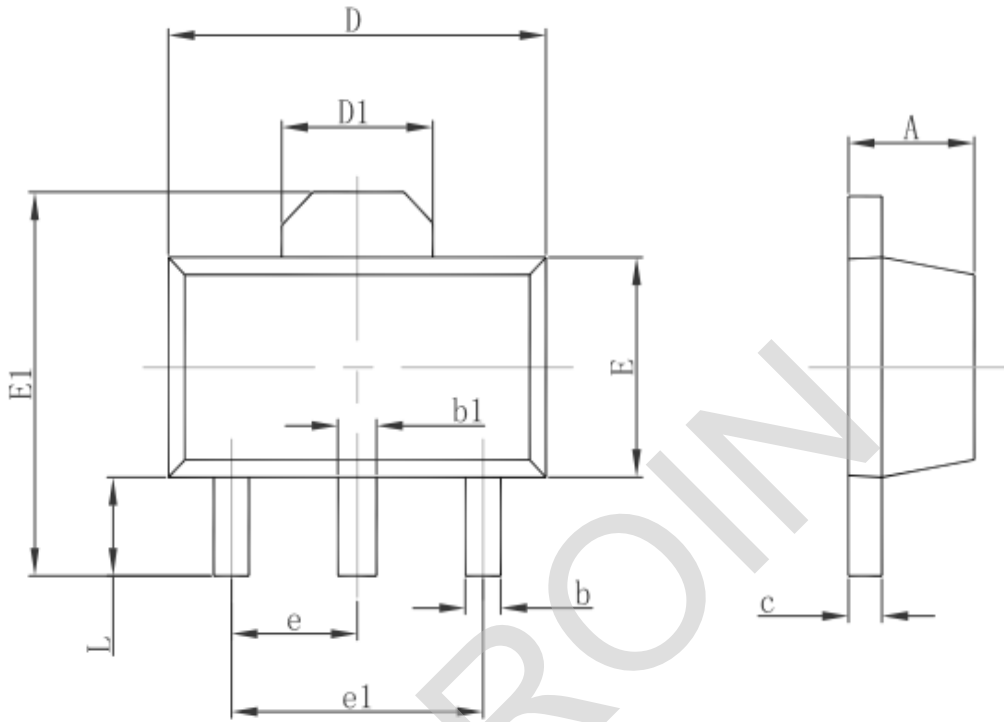
Package Information

5-pin SOT23-5L Outline Dimensions



Symbol	Dimensions In Millimeters		Dimensions In Inches	
	Min	Max	Min	Max
A	1.050	1.250	0.041	0.049
A1	0.000	0.100	0.000	0.004
A2	1.050	1.150	0.041	0.045
b	0.300	0.500	0.012	0.020
c	0.100	0.200	0.004	0.008
D	2.820	3.020	0.111	0.119
E	1.500	1.700	0.059	0.067
E1	2.650	2.950	0.104	0.116
e	0.950(BSC)		0.037(BSC)	
e1	1.800	2.000	0.071	0.079
L	0.300	0.600	0.012	0.024
θ	0°	8°	0°	8°

3-pin SOT89-3 Outline Dimensions



Symbol	Dimensions In Millimeters		Dimensions In Inches	
	Min.	Max.	Min.	Max.
A	1.400	1.600	0.055	0.063
b	0.320	0.520	0.013	0.020
b1	0.400	0.580	0.016	0.023
c	0.350	0.440	0.014	0.017
D	4.400	4.600	0.173	0.181
D1	1.550 REF.		0.061 REF.	
E	2.300	2.600	0.091	0.102
E1	3.940	4.250	0.155	0.167
e	1.500 TYP.		0.060 TYP.	
e1	3.000 TYP.		0.118 TYP.	
L	0.900	1.200	0.035	0.047

X-ON Electronics

Largest Supplier of Electrical and Electronic Components

Click to view similar products for [Isolated DC/DC Converters](#) category:

Click to view products by [Siproin](#) manufacturer:

Other Similar products are found below :

[ESM6D044440C05AAQ](#) [FMD15.24G](#) [PSL486-7LR](#) [PSR152.5-7IR](#) [Q48T30020-NBB0](#) [AVO240-48S12B-6L](#) [AVO250-48S28B-6L](#) [NAN-0505](#) [HW-L16D](#) [JAHW100Y1](#) [217-1617-001](#) [22827](#) [SPB05C-12](#) [SQ24S15033-PS0S](#) [18952](#) [19-130041](#) [CE-1003](#) [CE-1004](#) [GQ2541-7R](#) [PSE1000DCDC-12V](#) [RDS180245](#) [MAU228](#) [419-2065-201](#) [449-2075-101](#) [TME 0303S](#) [TME 0505S](#) [TME 1205S](#) [TME 1212S](#) [TME 2405S](#) [TME 2412S](#) [J80-0041NL](#) [V300C24C150BG](#) [419-2062-200](#) [419-2063-401](#) [419-2067-101](#) [419-2067-501](#) [419-2068-001](#) [DCG40-5G](#) [DFC15U48D15](#) [449-2067-000](#) [XGS-0512](#) [XGS-1205](#) [XGS-1212](#) [XGS-2412](#) [XGS-2415](#) [XKS-1215](#) [033456](#) [NCT1000N040R050B](#) [SPB05B-15](#) [SPB05C-15](#)